



US00D683933S

(12) **United States Design Patent**  
**Robbins**

(10) **Patent No.:** **US D683,933 S**

(45) **Date of Patent:** **\*\* Jun. 11, 2013**

(54) **VEST**

(76) Inventor: **Kerri Robbins**, Talent, OR (US)

(\*\*) Term: **14 Years**

(21) Appl. No.: **29/384,870**

(22) Filed: **Feb. 4, 2011**

(51) **LOC (9) Cl.** ..... **02-02**

(52) **U.S. Cl.**  
USPC ..... **D2/830**; D2/829; D3/216

(58) **Field of Classification Search**  
USPC ..... D2/829, 839, 857, 830, 861, 216; 2/102,  
2/94; 224/576; D29/101.4  
See application file for complete search history.

(56) **References Cited**

**U.S. PATENT DOCUMENTS**

D263,006 S *	2/1982	Boker .....	D2/829
D270,585 S *	9/1983	Viio .....	D2/829
D305,825 S *	2/1990	Tenore .....	D2/829
D315,632 S *	3/1991	Boyle .....	D2/829
D392,439 S *	3/1998	Okoniewski .....	D2/829
D402,788 S *	12/1998	Blankenship, Jr. ....	D2/839
D416,125 S *	11/1999	Falk et al. ....	D2/857
D426,051 S *	6/2000	Bugel et al. ....	D2/830
D426,937 S *	6/2000	Auster et al. ....	D2/830
D429,060 S *	8/2000	Matthias .....	D2/830
D611,680 S *	3/2010	Thomas .....	D2/830

D622,036 S \* 8/2010 Mason, III ..... D2/829

\* cited by examiner

*Primary Examiner* — Ian Simmons

*Assistant Examiner* — Eleni H Aldridge

(74) *Attorney, Agent, or Firm* — QuickPatents; Kevin Prince

(57) **CLAIM**

I claim the ornamental design for a vest, as shown and described.

**DESCRIPTION**

FIG. 1 is a perspective view of a vest, showing my new design; FIG. 2 is a front elevational view thereof; FIG. 3 is a rear elevational view thereof; FIG. 4 is a right-side elevational view thereof; FIG. 5 is a left-side elevational view thereof; FIG. 6 is a top plan view thereof; and, FIG. 7 is a bottom plan view thereof.

The broken line showing a person in FIG. 1 depict environmental matter and form no part of the claimed design. The broken line showing the inside boundary of the pockets and the eyelet in FIG. 6 is for the purpose of illustration portions of the article and forms no part of the claim. The remaining broken lines represent stitching and form a part of the claimed design.

**1 Claim, 5 Drawing Sheets**

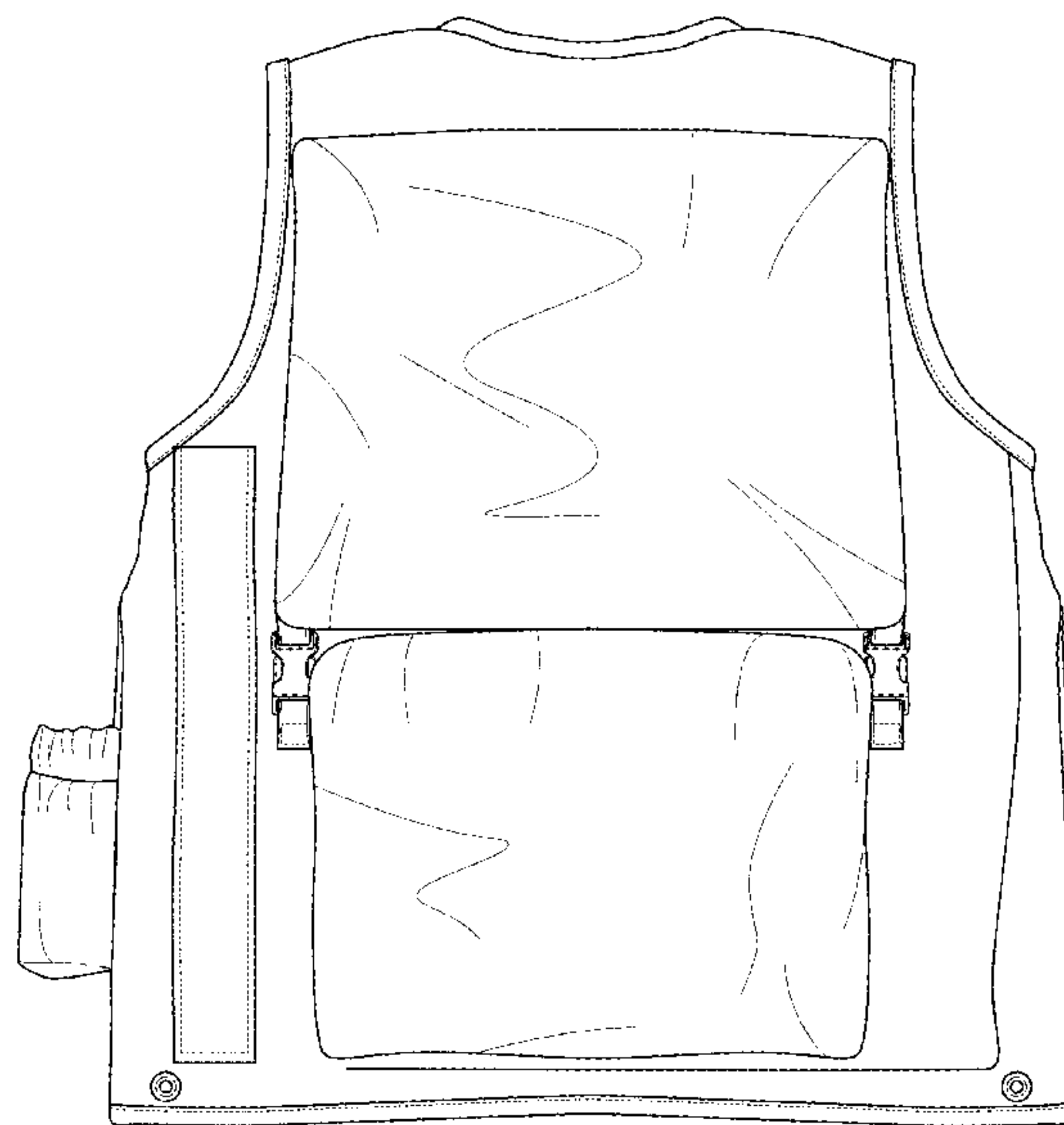




FIG. 1

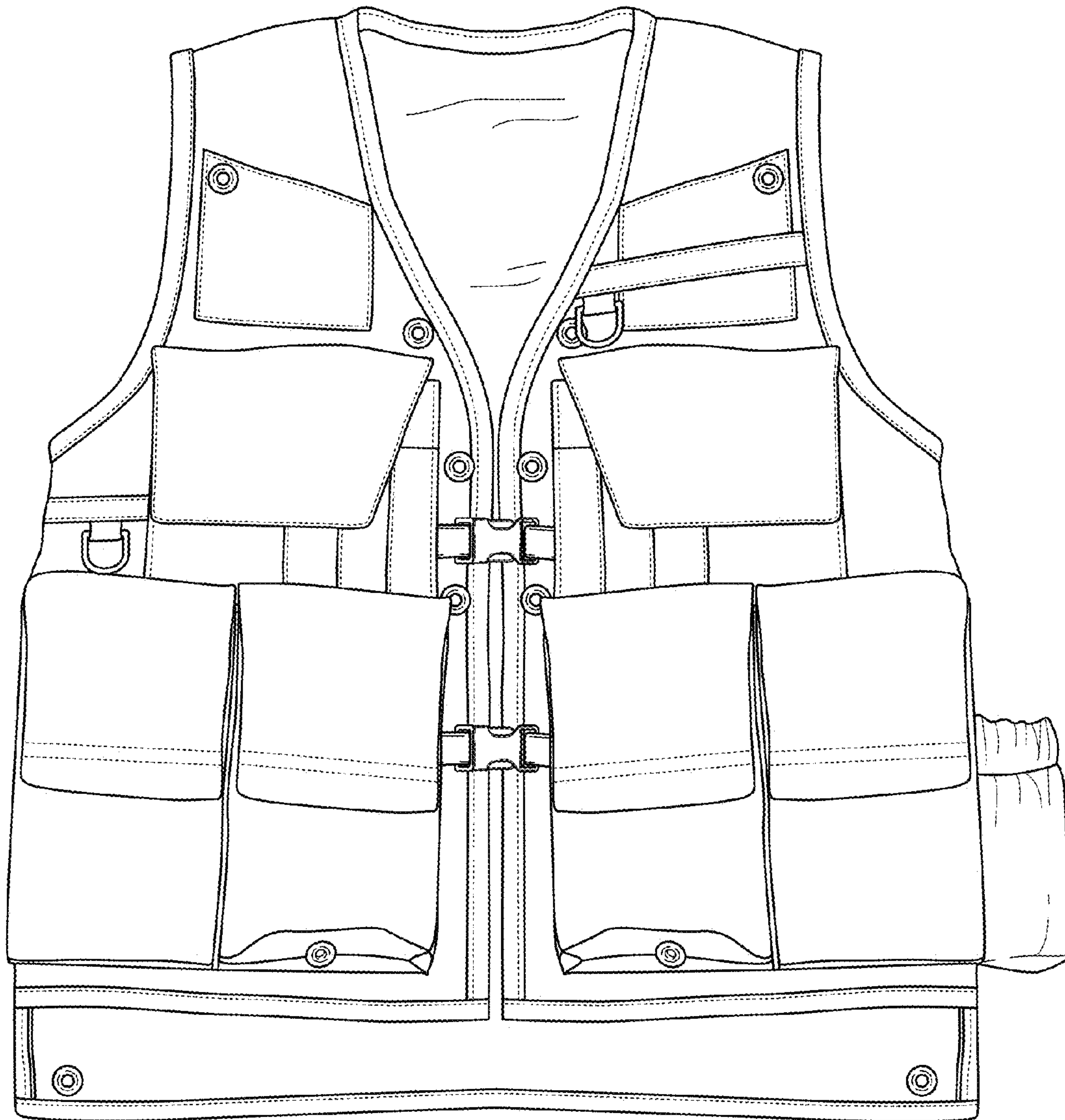


FIG. 2



FIG. 3



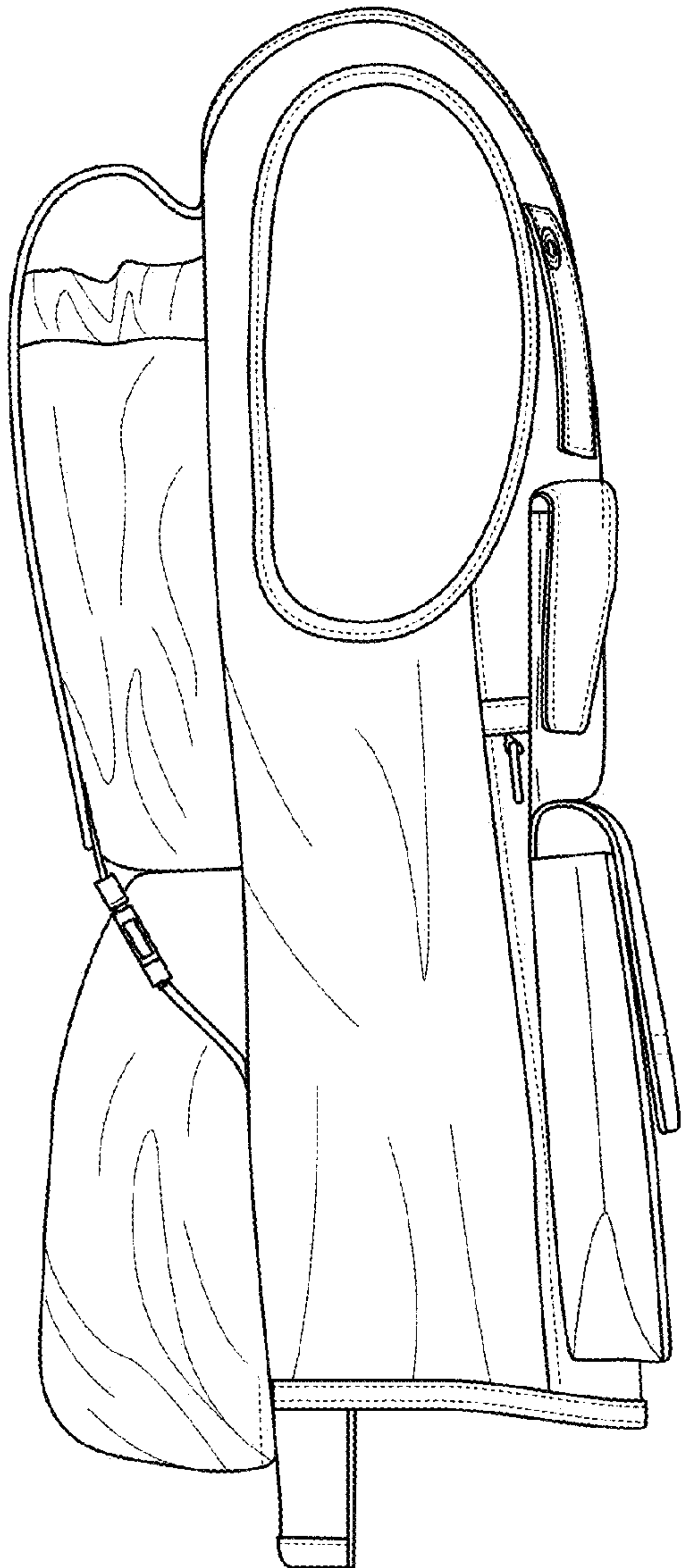


FIG. 4

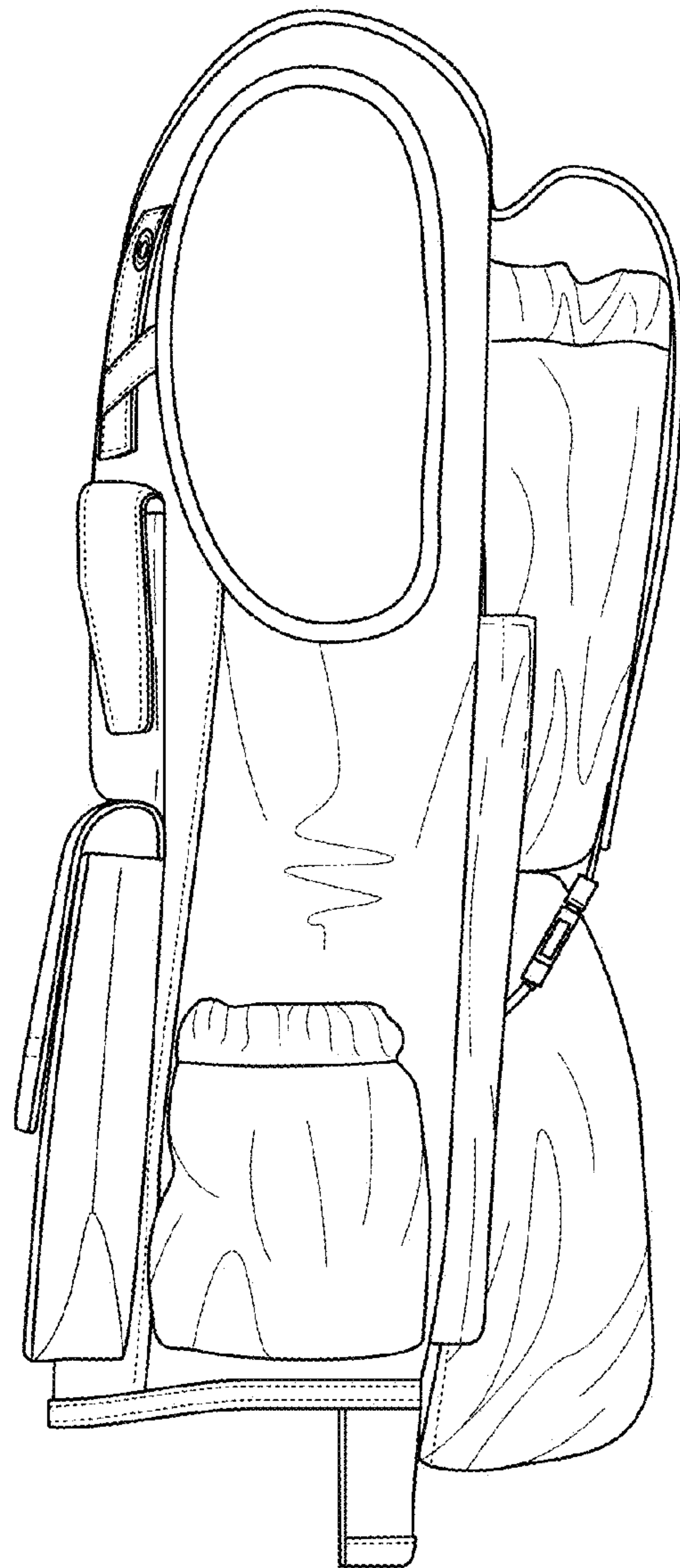


FIG. 5

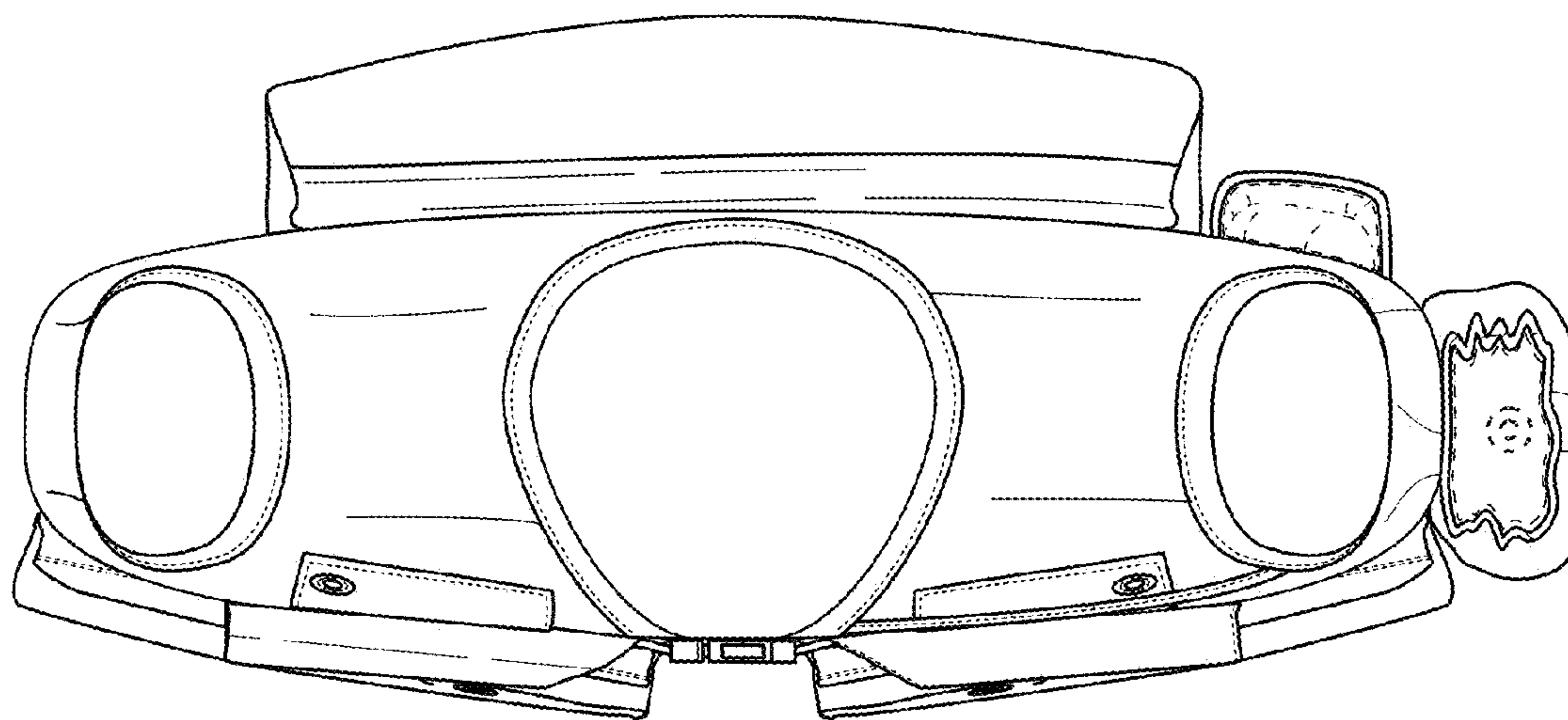


FIG. 6

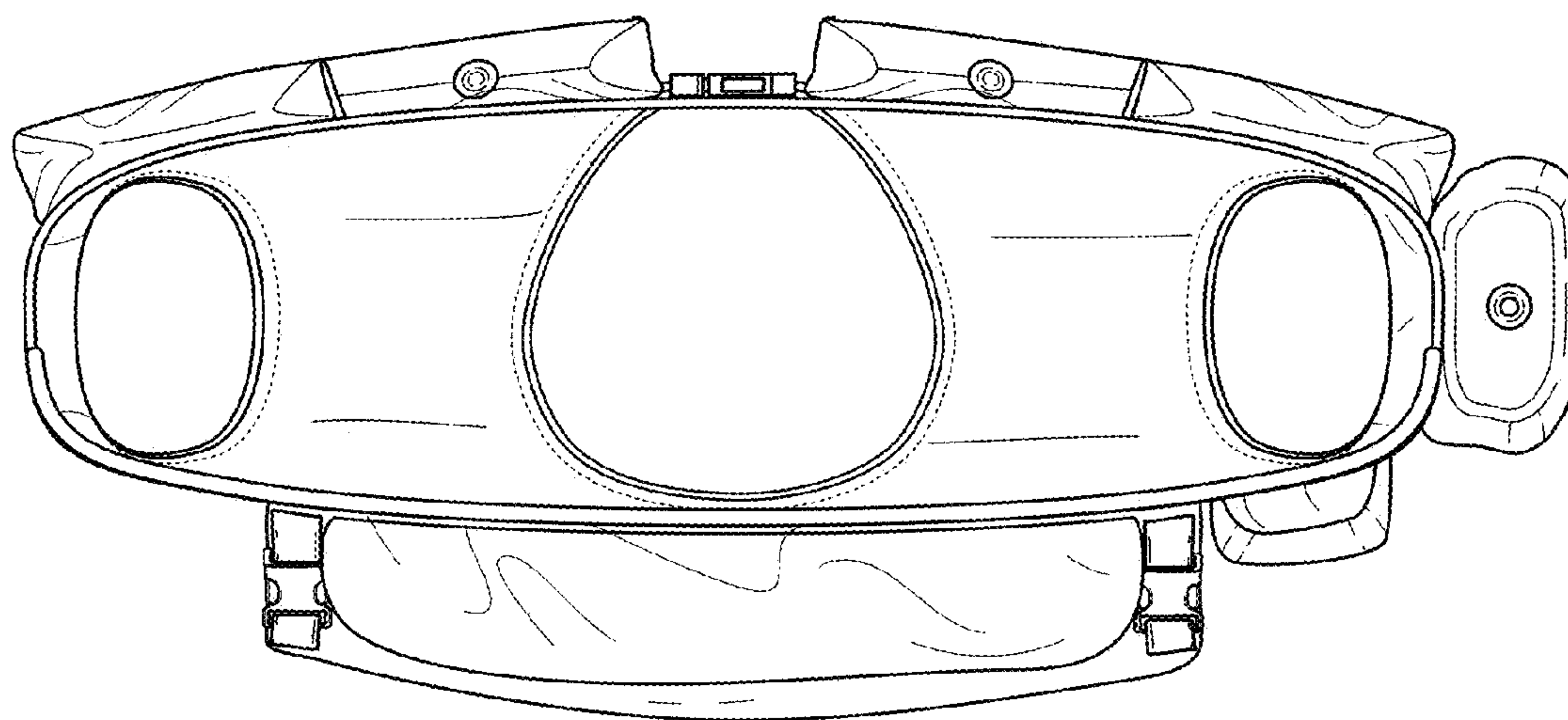


FIG. 7