



US00D683928S

(12) **United States Design Patent**  
**Tansey et al.**

(10) **Patent No.:** **US D683,928 S**

(45) **Date of Patent:** **\*\* Jun. 11, 2013**

(54) **ANIMAL FOOD PRODUCT**

(76) Inventors: **Anthony Joseph Tansey**, Blessington  
(IE); **Paul Morrow Dempsey**, Dalkey  
(IE)

(\*\*) Term: **14 Years**

(21) Appl. No.: **29/402,155**

(22) Filed: **Sep. 21, 2011**

(51) **LOC (9) Cl.** ..... **01-01**

(52) **U.S. Cl.**  
USPC ..... **D1/125**

(58) **Field of Classification Search**  
USPC ..... D1/100-130, 199; 426/104, 115,  
426/144, 249, 274, 517, 518, 805; D21/386;  
D25/119, 121; D30/160; D24/102, 103  
See application file for complete search history.

(56) **References Cited**

**U.S. PATENT DOCUMENTS**

D11,173 S *	4/1879	Mills	.....	D1/125
D230,908 S *	3/1974	Bair	.....	D1/102
D381,486 S *	7/1997	Hauser et al.	.....	D1/126
D478,705 S *	8/2003	Dahl et al.	.....	D1/125

D492,467 S *	7/2004	Pittard et al.	.....	D1/125
D514,264 S *	1/2006	Viola	.....	D30/160
D536,538 S *	2/2007	Ping Sheng	.....	D5/99
D585,020 S *	1/2009	Murakami	.....	D13/115
D603,134 S *	11/2009	Powell	.....	D1/199
D630,409 S *	1/2011	Tansey et al.	.....	D1/125
D641,537 S *	7/2011	Evans	.....	D1/125
2008/0003270 A1 *	1/2008	Garcia Martinez	.....	424/442

\* cited by examiner

*Primary Examiner* — Cathron Brooks

*Assistant Examiner* — Katie Mroczka

(74) *Attorney, Agent, or Firm* — George P. Kobler; Lanier  
Ford Shaver & Payne P.C.

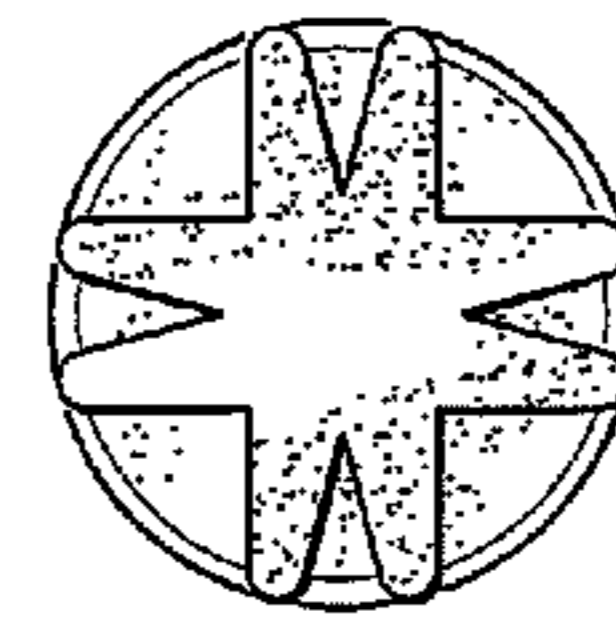
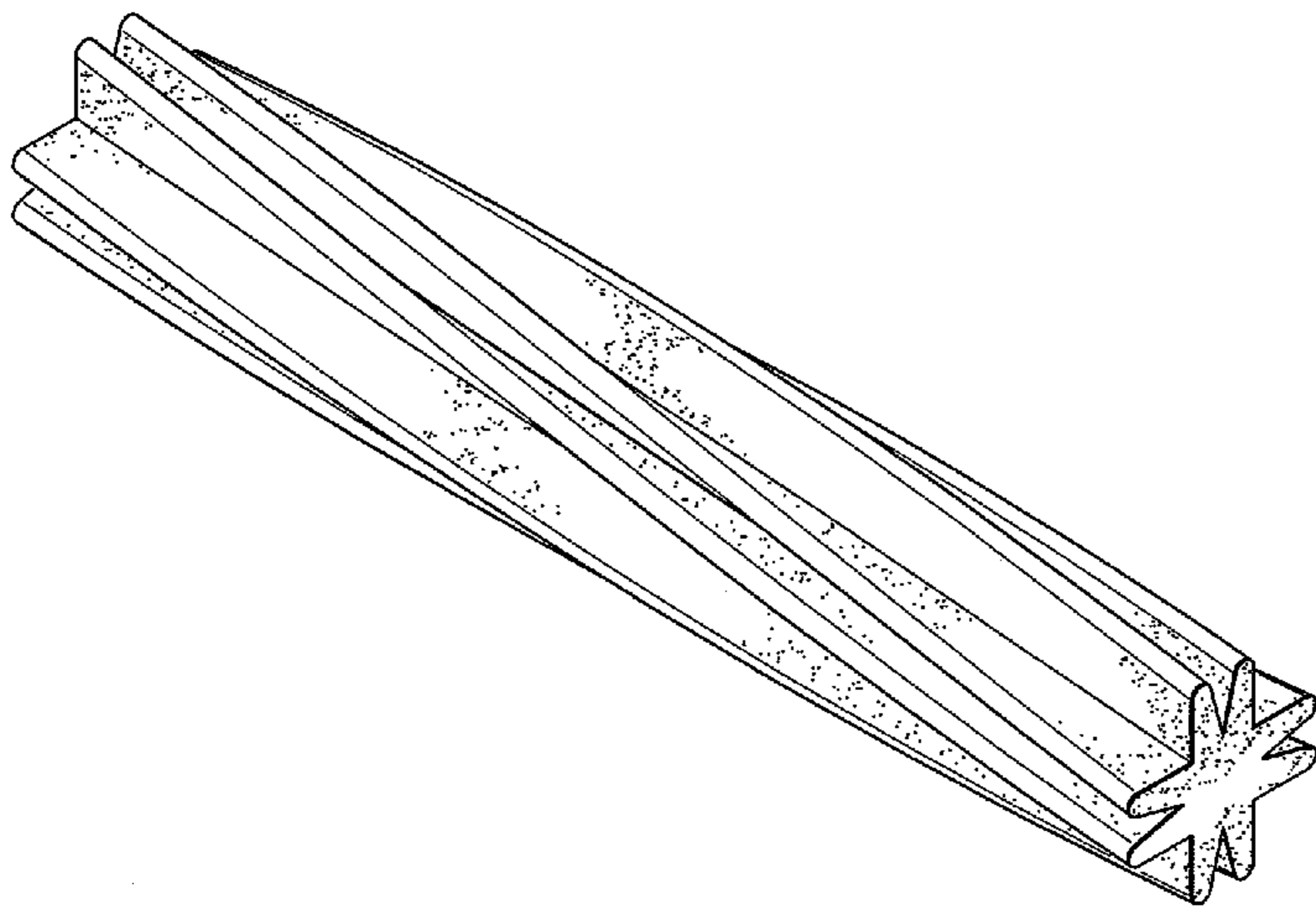
(57) **CLAIM**

The ornamental design for an animal food product, as shown  
and described.

**DESCRIPTION**

FIG. 1 is a perspective view of the animal food product;  
FIG. 2 is an elevational view of one side of the animal food  
product, the views of the other sides being identical; and,  
FIG. 3 is a view from one end of the animal food product, the  
opposing end being identical.

**1 Claim, 1 Drawing Sheet**



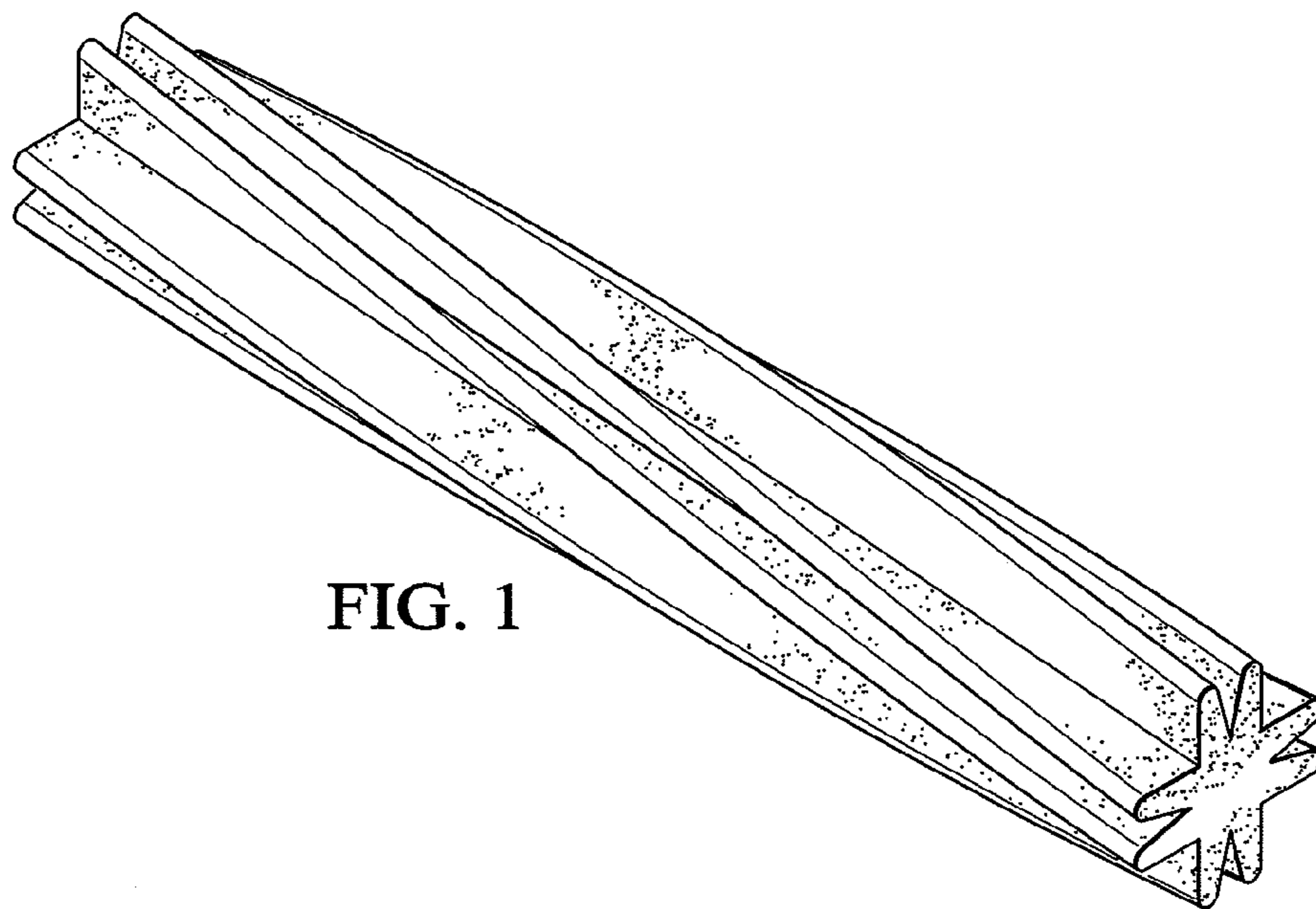


FIG. 1

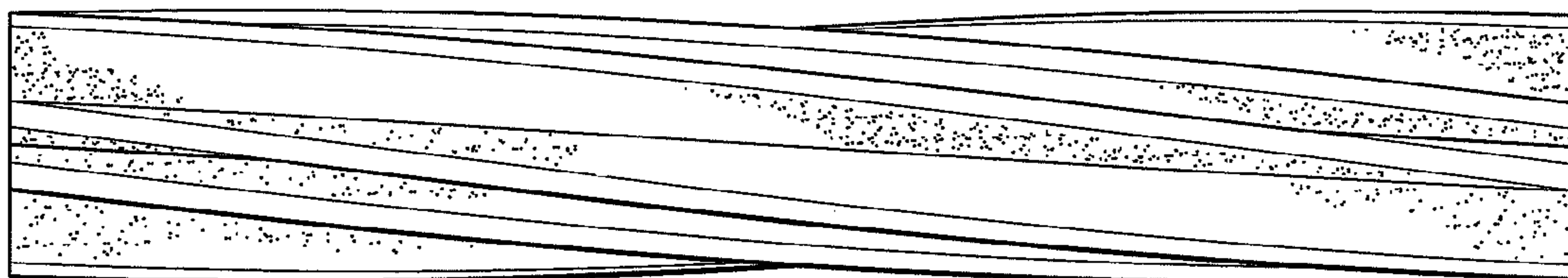


FIG. 2

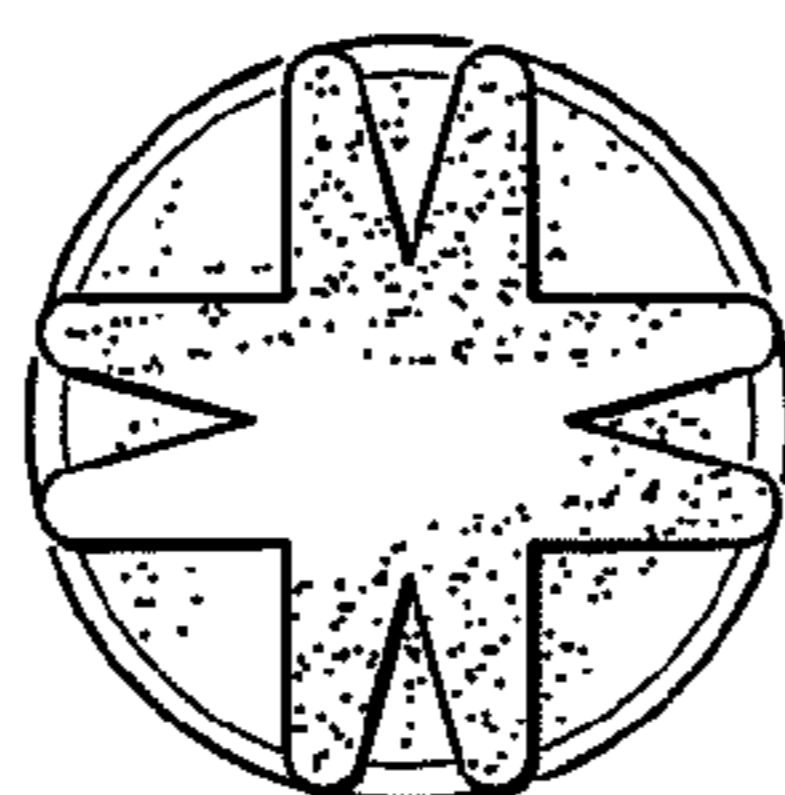


FIG. 3