



US00D683925S

(12) **United States Design Patent**
Dickinson et al.

(10) **Patent No.:** **US D683,925 S**

(45) **Date of Patent:** **** Jun. 4, 2013**

(54) **FORKLIFT FORK TIP END**

(75) Inventors: **Bernard Charles Dickinson**, Burlington (CA); **Robert Power**, Burlington (CA); **David Roger Winger**, Kitchener (CA)

(73) Assignee: **Cascade Corporation**, Portland, OR (US)

(**) Term: **14 Years**

(21) Appl. No.: **29/408,523**

(22) Filed: **Dec. 13, 2011**

(51) **LOC (9) Cl.** **12-05**

(52) **U.S. Cl.**
USPC **D34/35**

(58) **Field of Classification Search**
USPC D34/35, 34; 414/607, 785, 495; 187/237
See application file for complete search history.

(56) **References Cited**

U.S. PATENT DOCUMENTS

4,290,729	A *	9/1981	Cary	414/607
5,221,176	A *	6/1993	Allen et al.	414/785
5,575,608	A *	11/1996	Yau et al.	414/607
D427,409	S *	6/2000	Sato et al.	D34/34
D461,942	S	8/2002	Gallagher	
D464,785	S	10/2002	Gallagher	
6,471,465	B2 *	10/2002	Albertyn	414/785
D492,833	S *	7/2004	Henshaw et al.	D34/34
D526,460	S *	8/2006	Goto et al.	D34/34
D548,923	S *	8/2007	Niebuhr	D34/34
D571,073	S	6/2008	Buchmann et al.	
D587,425	S *	2/2009	Mori et al.	D34/34
D608,074	S *	1/2010	Berger et al.	D34/34
D612,563	S *	3/2010	Stark	D34/34
D651,783	S *	1/2012	Shibata et al.	D34/35
D652,194	S *	1/2012	Shibata et al.	D34/34
2003/0235489	A1 *	12/2003	Hoff	414/607
2004/0161327	A1 *	8/2004	Paxton et al.	414/785

2005/0129494	A1 *	6/2005	Chandler et al.	414/607
2007/0116547	A1 *	5/2007	Bulkeley	414/607
2008/0135341	A1 *	6/2008	Pollard	187/237
2010/0068023	A1	3/2010	Kuck et al.	
2012/0076624	A1 *	3/2012	Magoto	414/495

OTHER PUBLICATIONS

Cascade Corporation, Fork Facts (book) Tip Locator Bars item on p. 50, Jan. 2011.

* cited by examiner

Primary Examiner — Cynthia Ramirez

(74) *Attorney, Agent, or Firm* — Chernoff, Vilhauer, McClung & Stenzel, LLP

(57) **CLAIM**

The ornamental design for a forklift fork tip end, as shown and described.

DESCRIPTION

FIG. 1 is an illustrative isometric view of a portion of a forklift truck including a forklift fork tip end showing our new design; FIG. 2 is an isometric view, at an enlarged scale, of the forklift fork tip end including our new design;

FIG. 3 is a top plan view thereof;

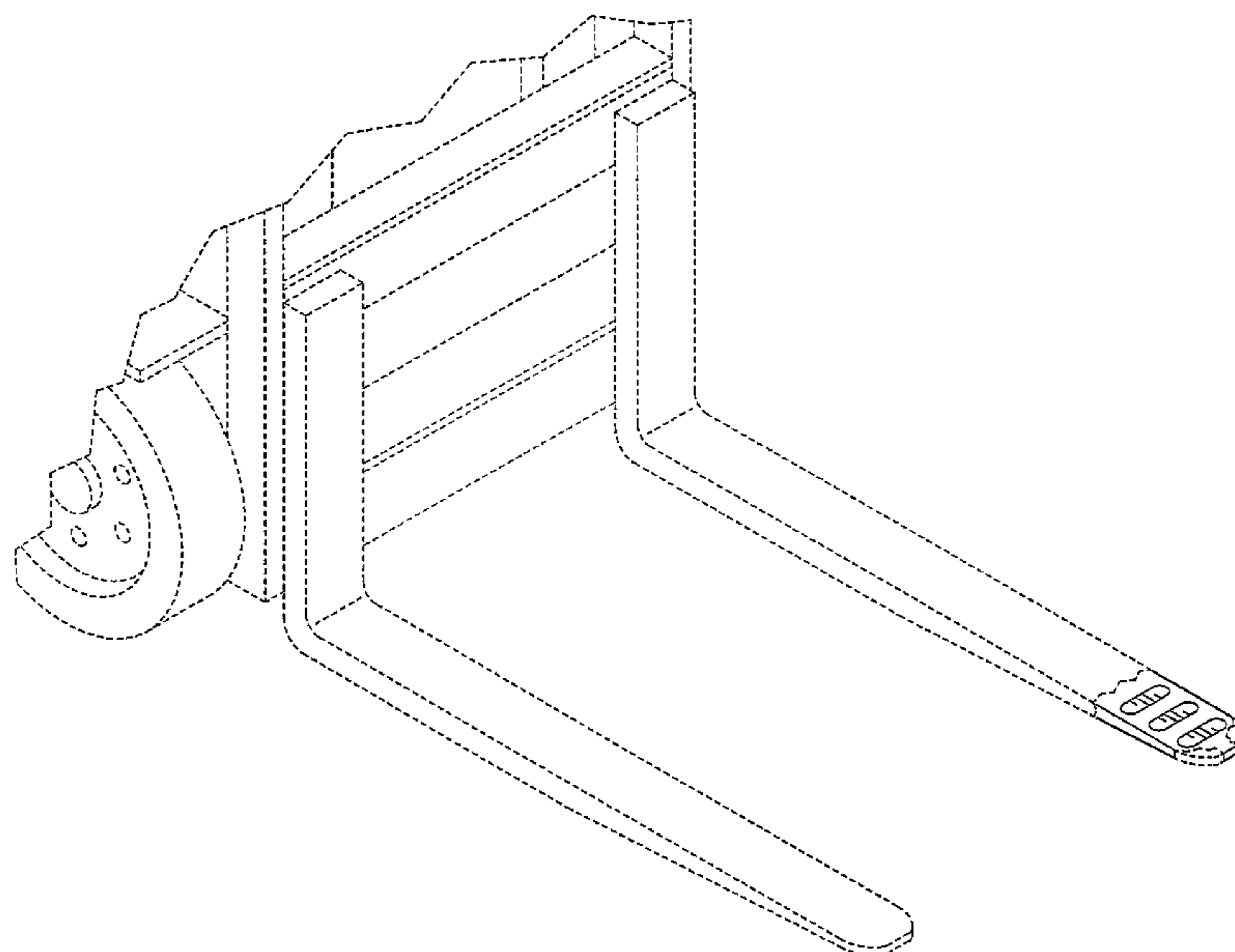
FIG. 4 is a side view, with the opposite side view being a mirror image thereof;

FIG. 5 is a bottom plan view thereof; and,

FIG. 6 is a front end elevational view thereof.

Portions of a forklift truck and portions of the forklift fork are shown in broken line in the drawing views and are included merely for illustrative purposes and form no part of the claimed design. The broken lines immediately adjacent to the shaded areas of the drawing views represent unclaimed boundaries of the design. The shading in the drawing views is intended to denote that the oblong outlined areas contrast visibly to the surrounding surfaces.

1 Claim, 2 Drawing Sheets



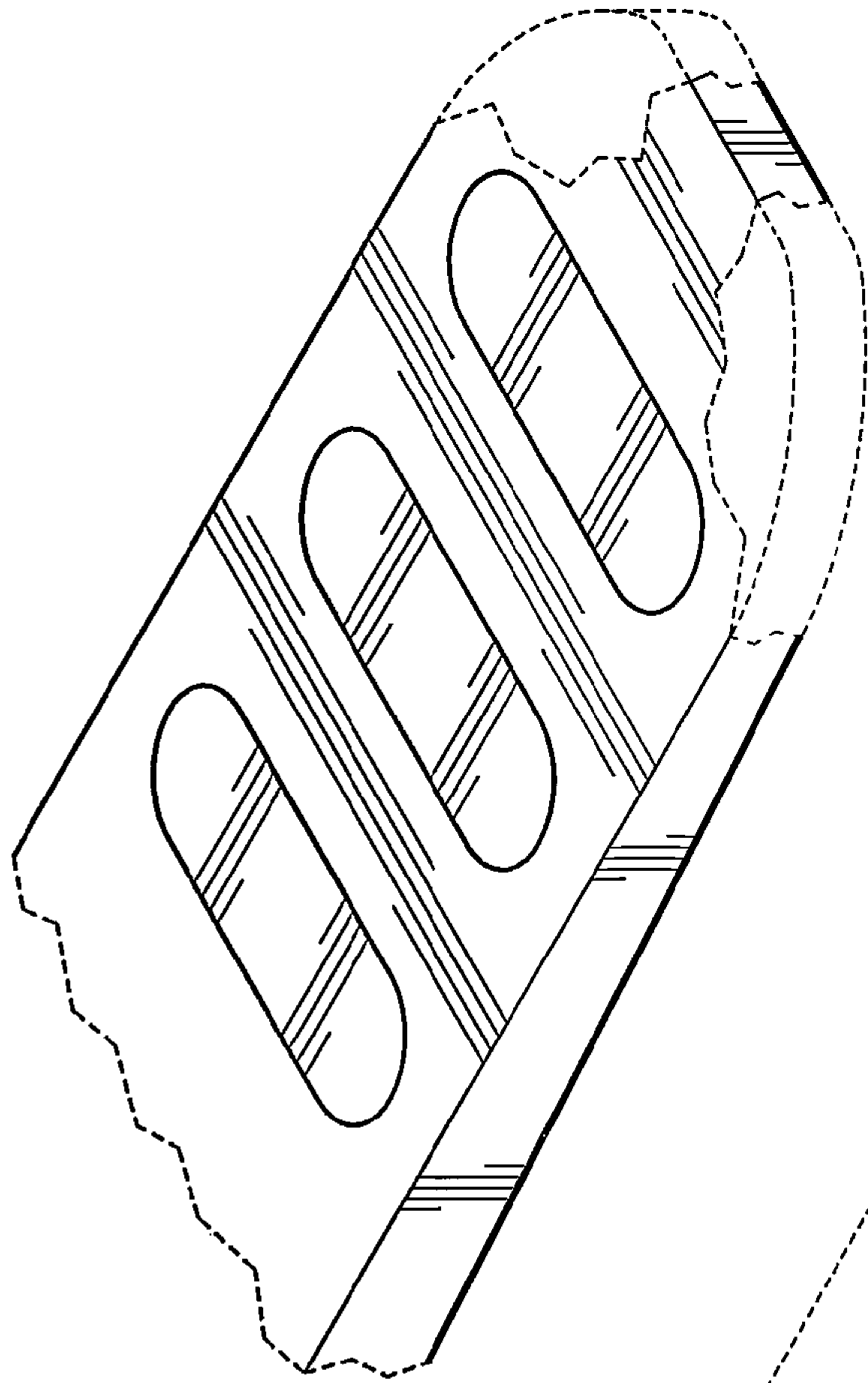


FIG. 2

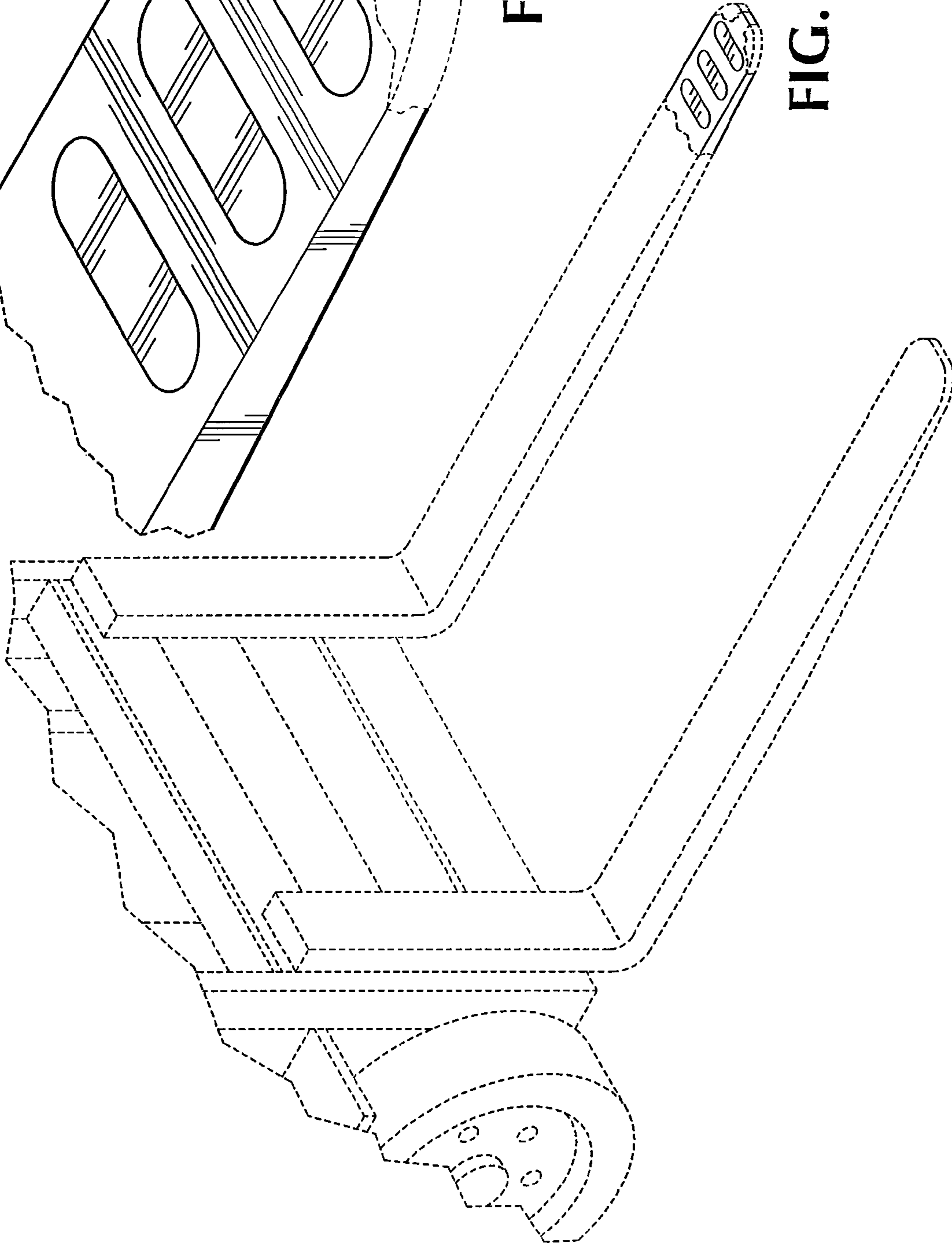


FIG. 1

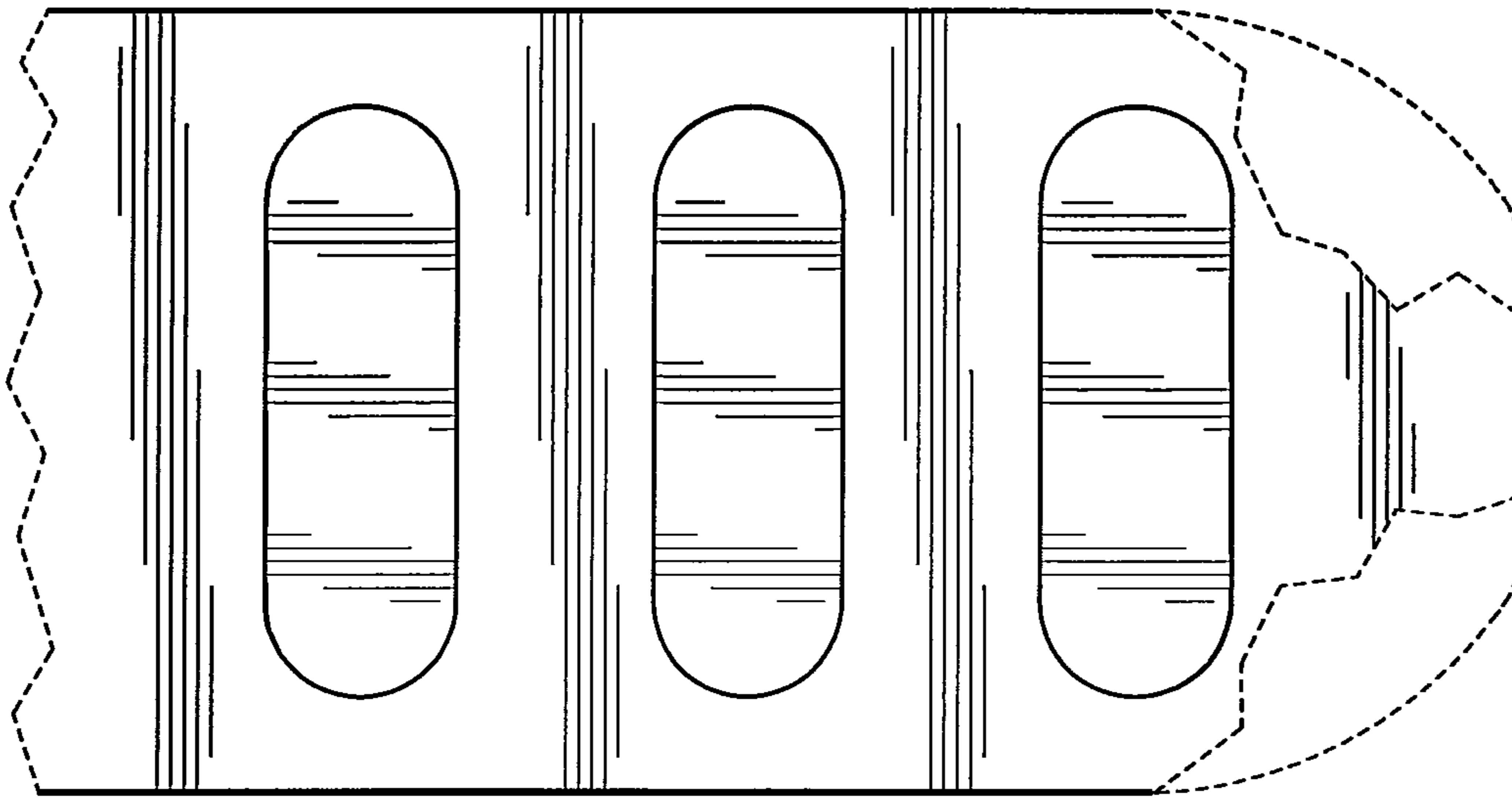


FIG. 3

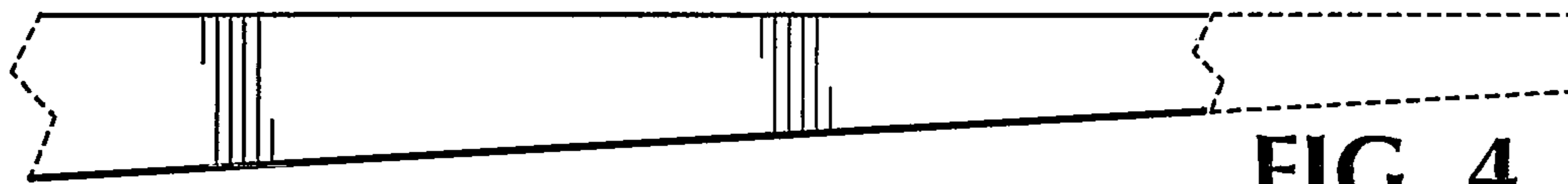


FIG. 4

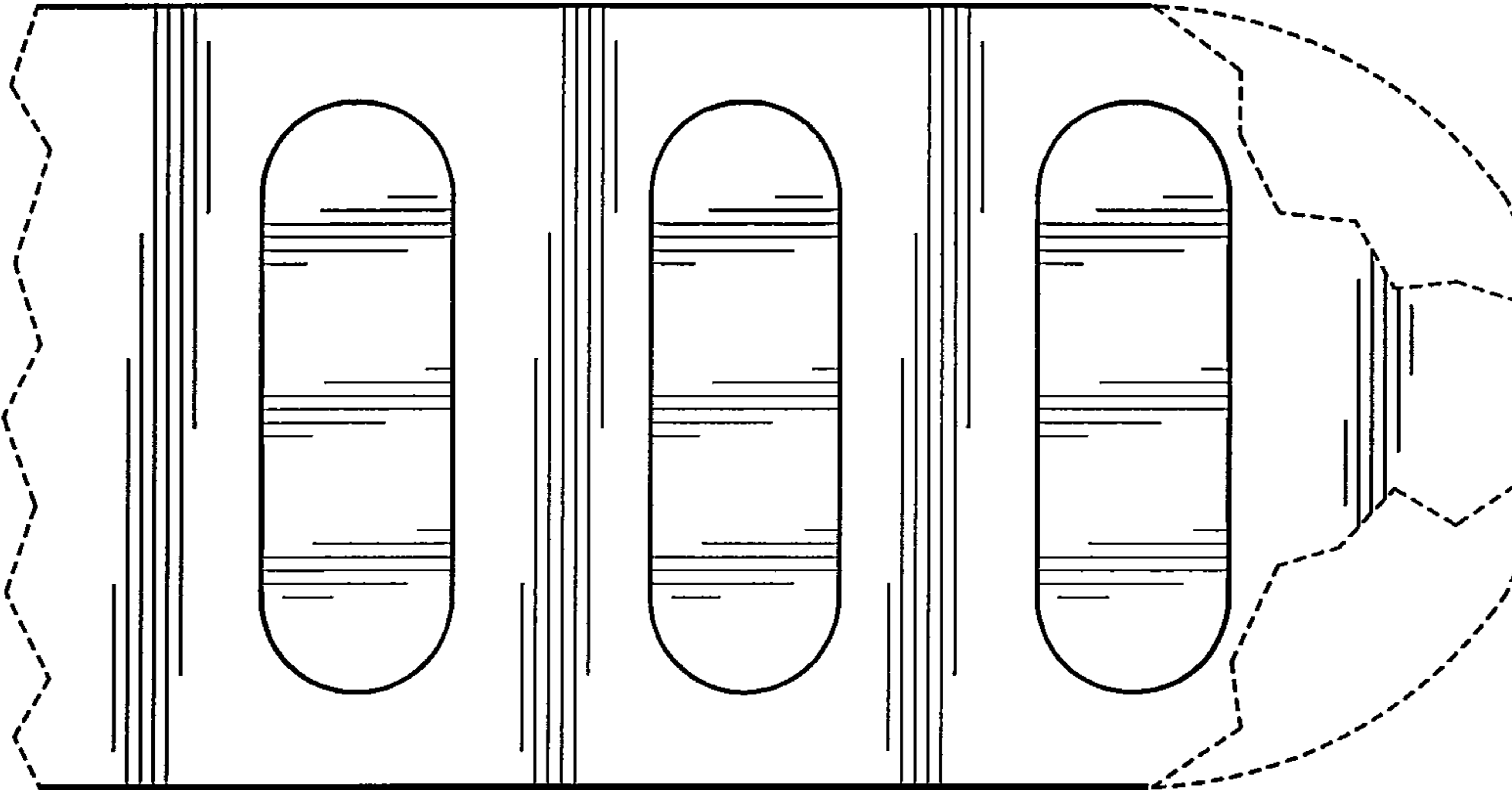


FIG. 5

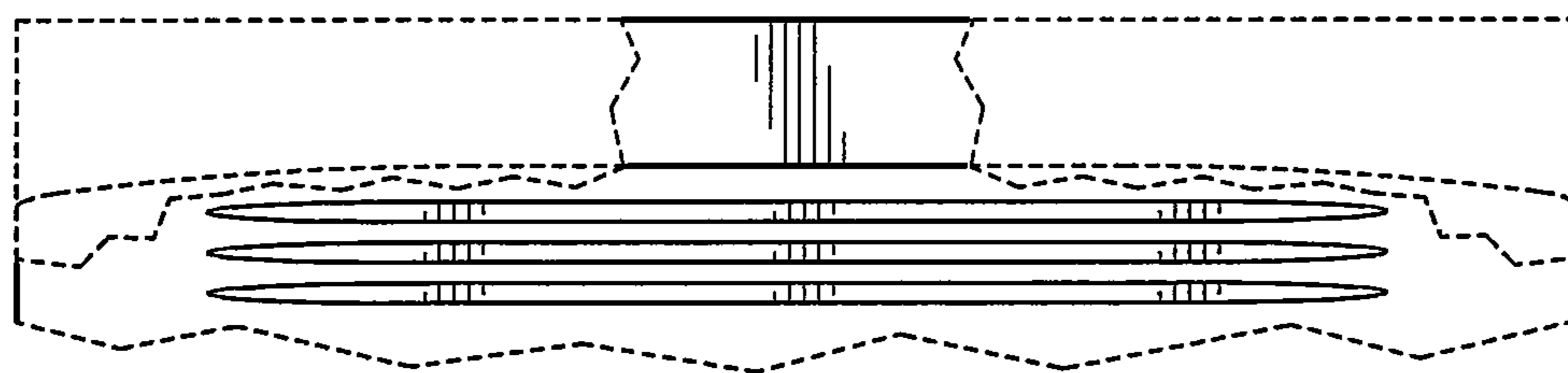


FIG. 6