



US00D683923S

(12) **United States Design Patent**
Henley et al.

(10) **Patent No.:** **US D683,923 S**
(45) **Date of Patent:** **** Jun. 4, 2013**

(54) **CART**
(75) Inventors: **Michael E. Henley**, Liberty Township,
OH (US); **Artem Kalajyan**, Burbank,
CA (US)
(73) Assignee: **JPJ Investment Holding Corp.**, City of
Industry, CA (US)

D485,038 S * 1/2004 Zimmer D34/24
7,044,484 B2 * 5/2006 Wang 280/47.27
7,097,183 B1 * 8/2006 Su 280/47.29
7,441,785 B1 * 10/2008 Tsai 280/47.29
D603,121 S * 10/2009 Schwager D34/18
D633,679 S * 3/2011 DeLuca D34/23
D664,733 S * 7/2012 Yang D34/24
D673,752 S * 1/2013 Marshall D34/21

* cited by examiner

(**) Term: **14 Years**

Primary Examiner — Cynthia Ramirez

(21) Appl. No.: **29/430,884**

(74) *Attorney, Agent, or Firm* — Patterson & Sheridan,
L.L.P.

(22) Filed: **Aug. 30, 2012**

(57) **CLAIM**

(51) **LOC (9) Cl.** **12-02**

The ornamental design for a cart, as shown and described.

(52) **U.S. Cl.**
USPC **D34/26**

DESCRIPTION

(58) **Field of Classification Search**
USPC D34/12-27; 280/47.315, 40, 35,
280/38, 47.17, 47.18, 47.24, 47.27, 47.29,
280/42, 63, 65, 5, 638, 641, 645, 646, 651,
280/652, 654

FIG. 1 is a front perspective view of a cart showing our new design;
FIG. 2 is a rear perspective view thereof;
FIG. 3 is a bottom perspective view thereof;
FIG. 4 is a front elevational view thereof;
FIG. 5 is a rear elevational view thereof;
FIG. 6 is a side elevational view thereof;
FIG. 7 is a top plan view thereof;
FIG. 8 is a bottom plan view thereof;
FIG. 9 is a perspective view thereof in a collapsed position;
FIG. 10 is a front elevational view thereof;
FIG. 11 is a rear elevational view thereof;
FIG. 12 is a side elevational view thereof; and,
FIG. 13 is a tip plan view thereof.

See application file for complete search history.

(56) **References Cited**

U.S. PATENT DOCUMENTS

D335,738 S * 5/1993 Tsai D34/26
D364,022 S * 11/1995 Kazmark, Jr. D34/26
D365,187 S * 12/1995 Tsai D34/26
D396,924 S * 8/1998 Cardenas D34/24
D411,679 S * 6/1999 Hsieh et al. D34/24
D453,602 S * 2/2002 Chang D34/24
D468,882 S * 1/2003 Hsieh et al. D34/24

1 Claim, 11 Drawing Sheets

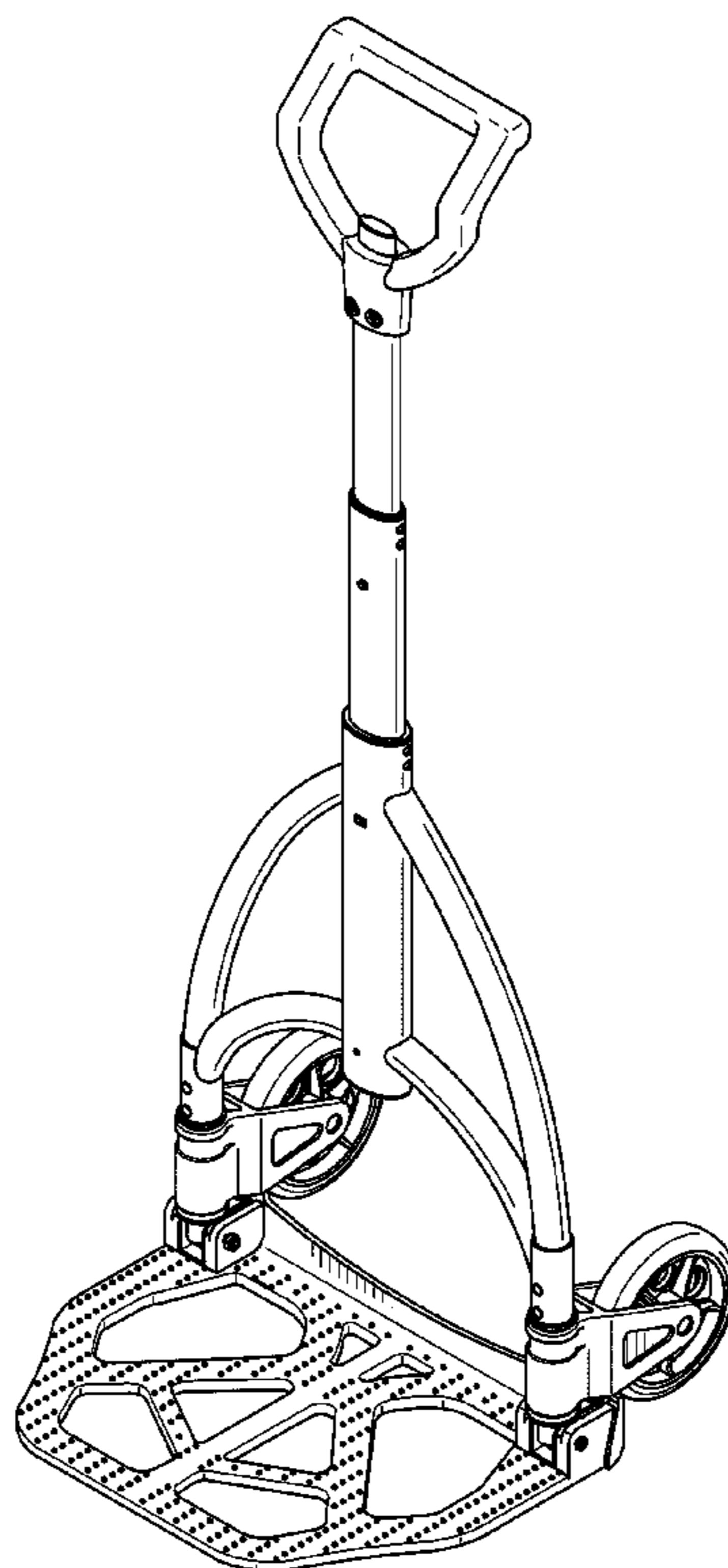


Fig. 1

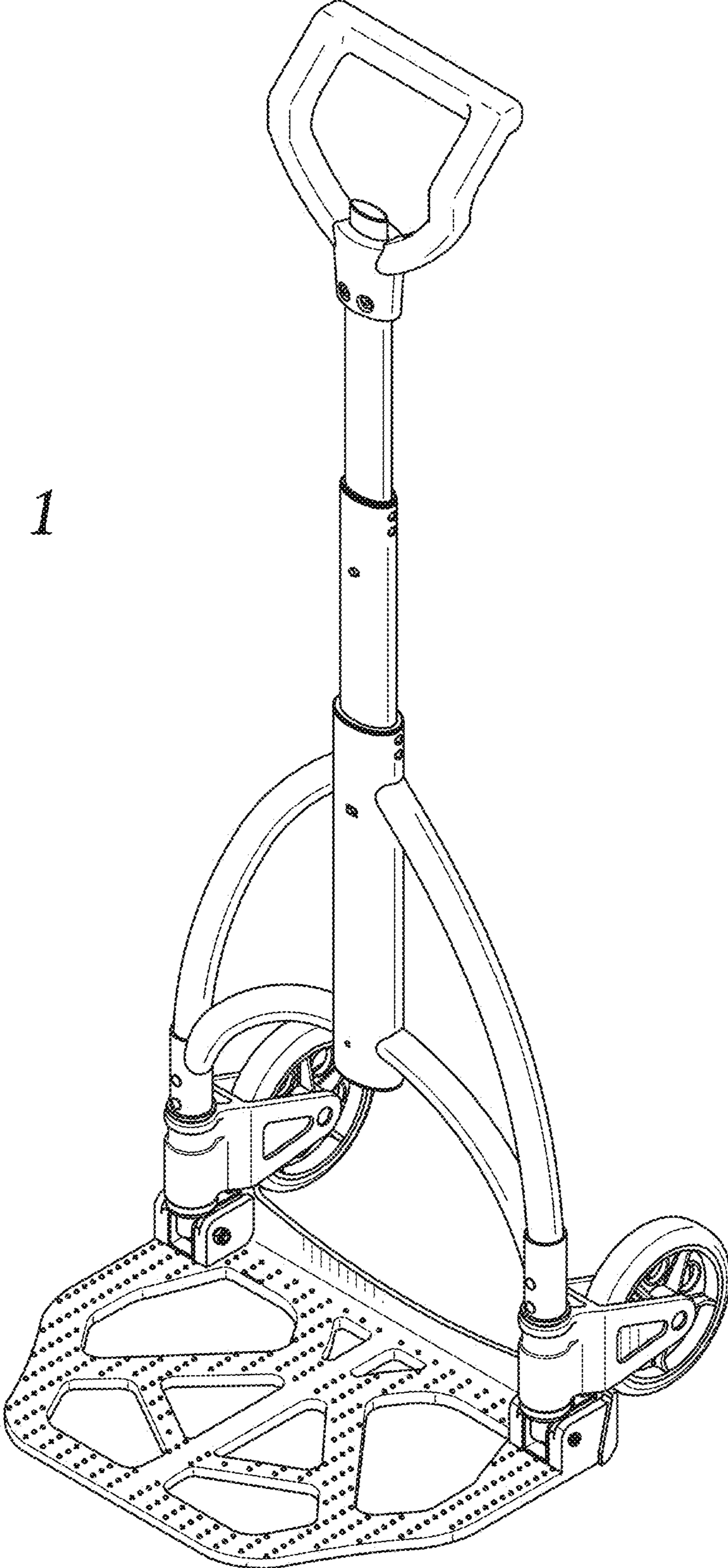


Fig. 2

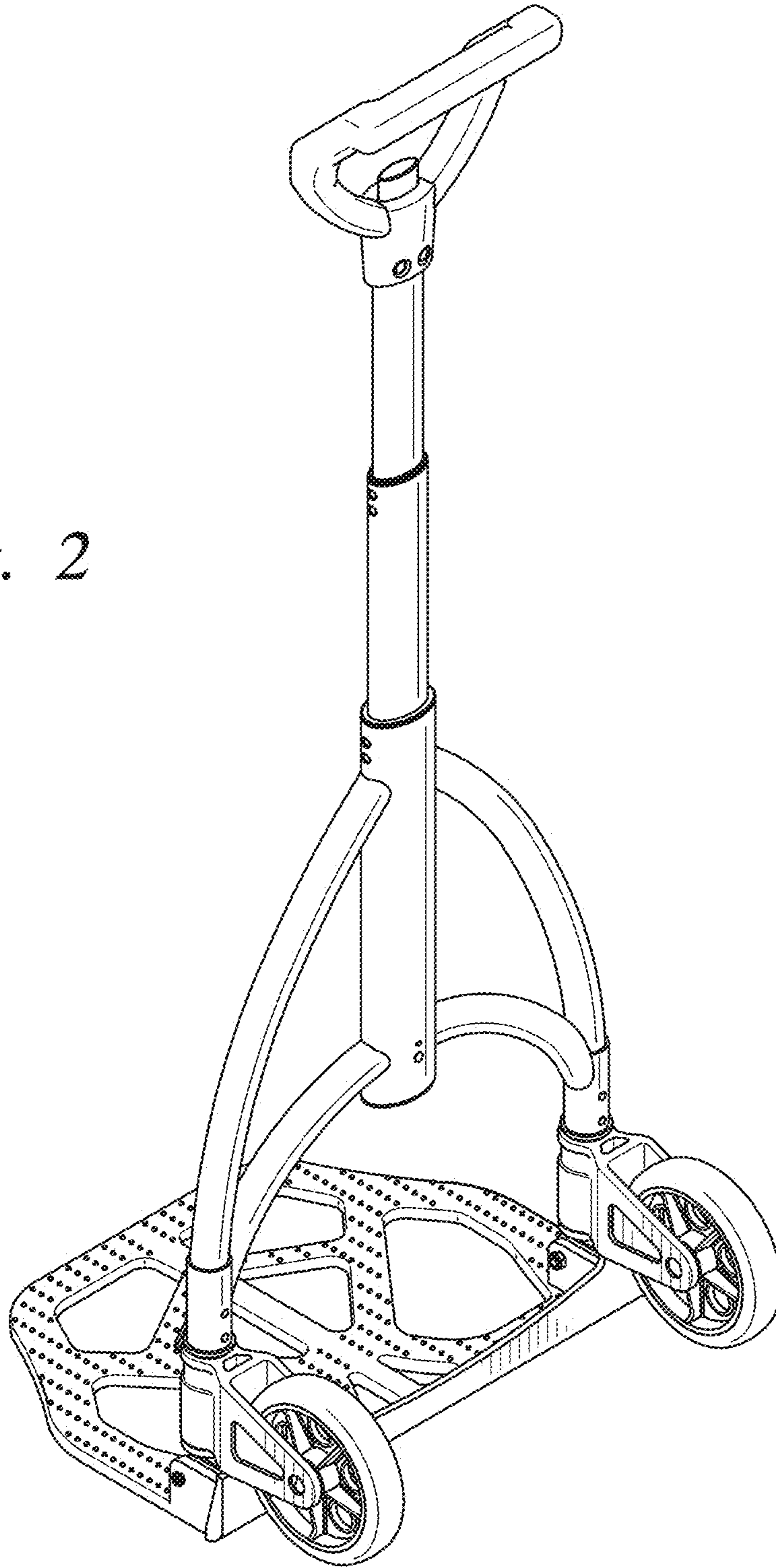


Fig. 3

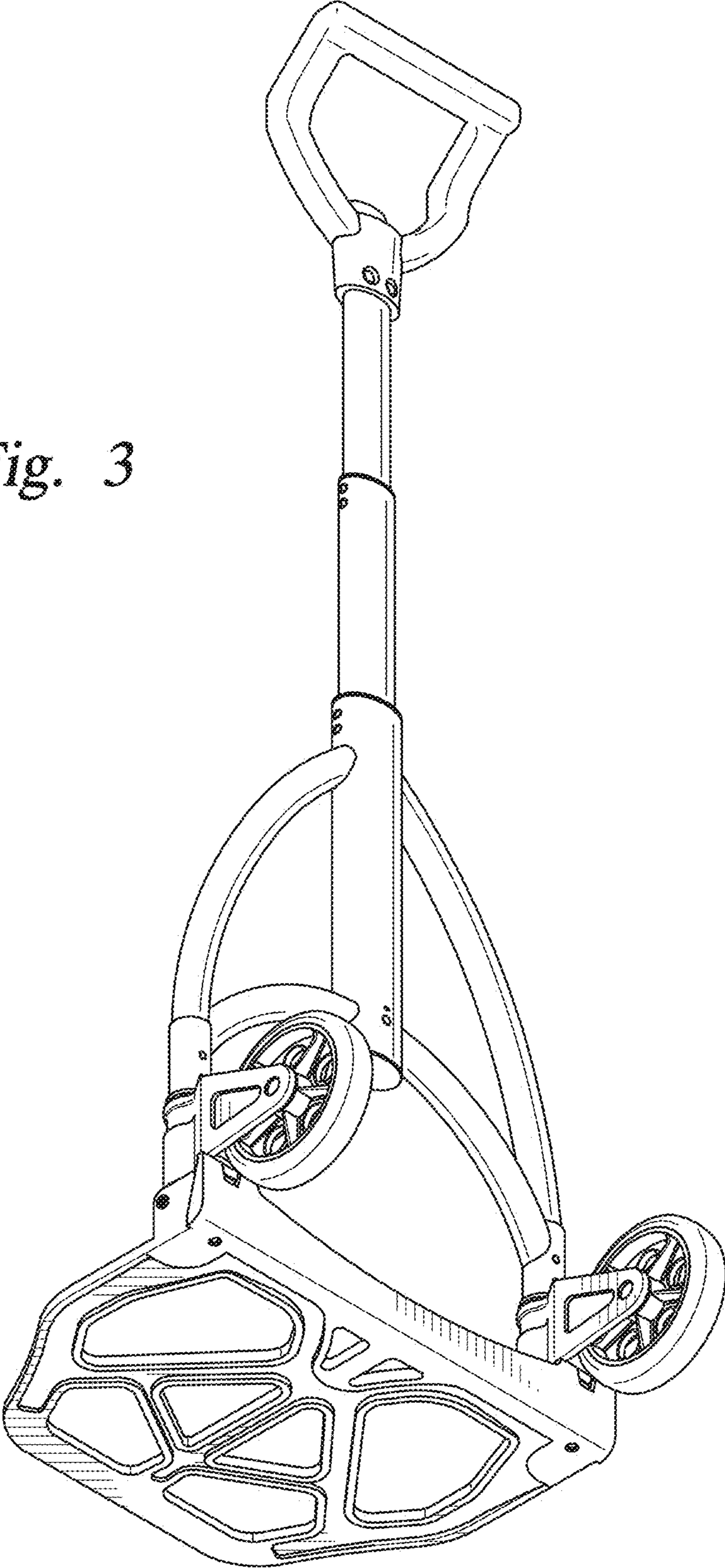


Fig. 4

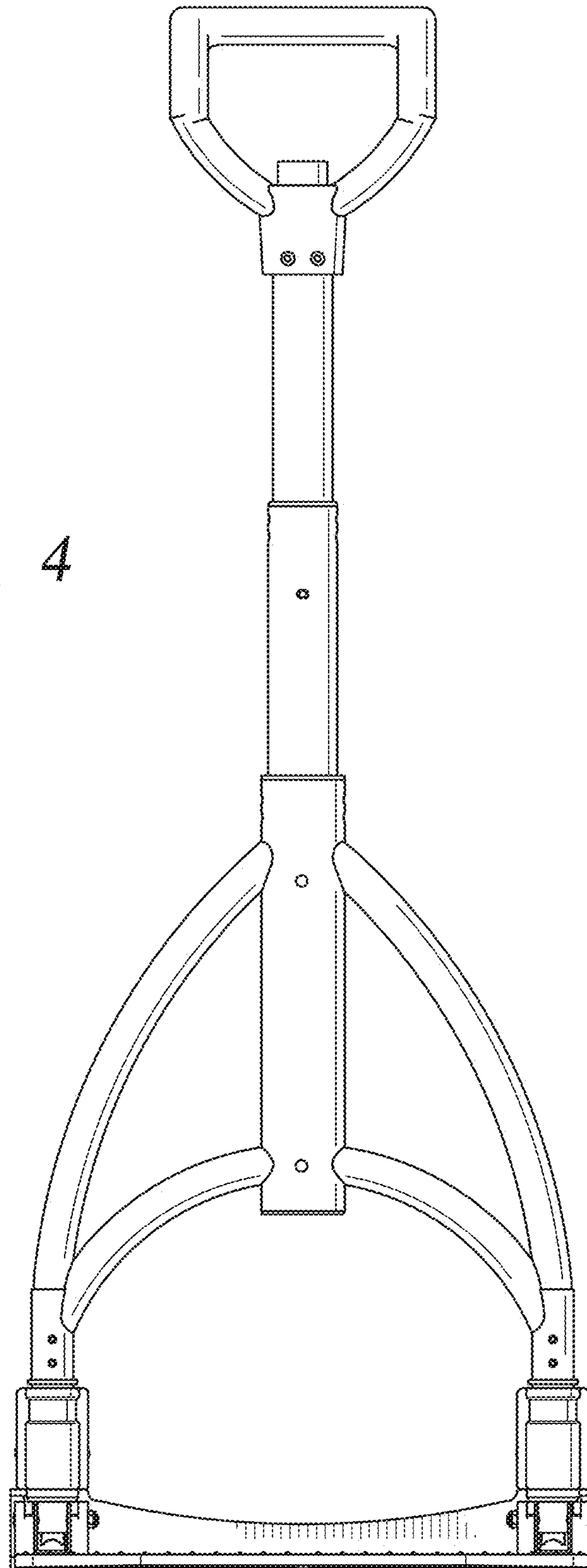


Fig. 5

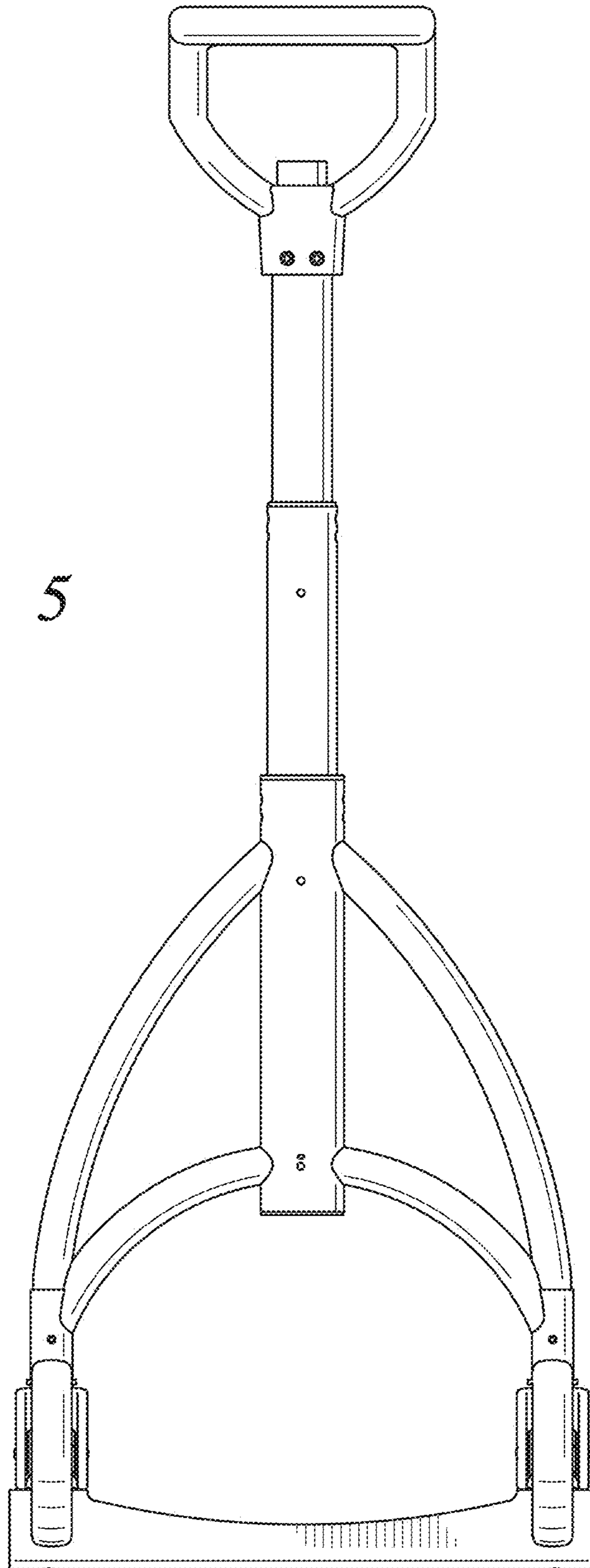
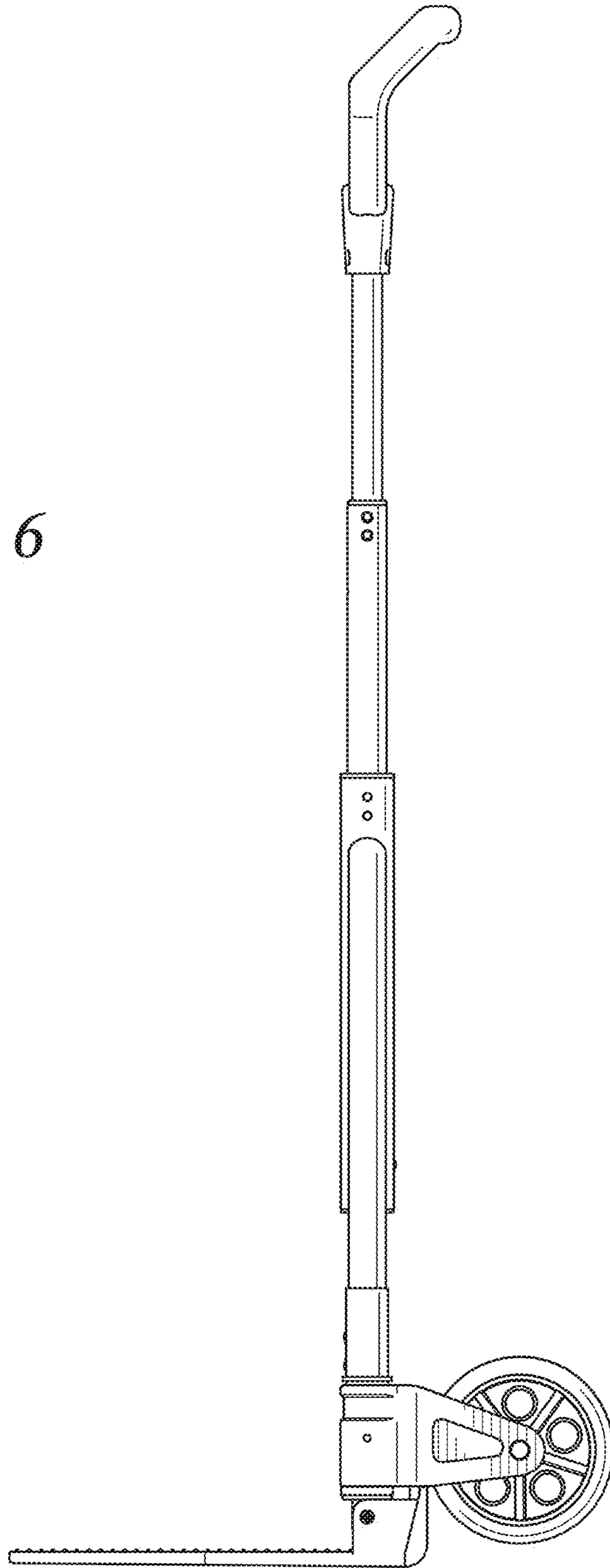


Fig. 6



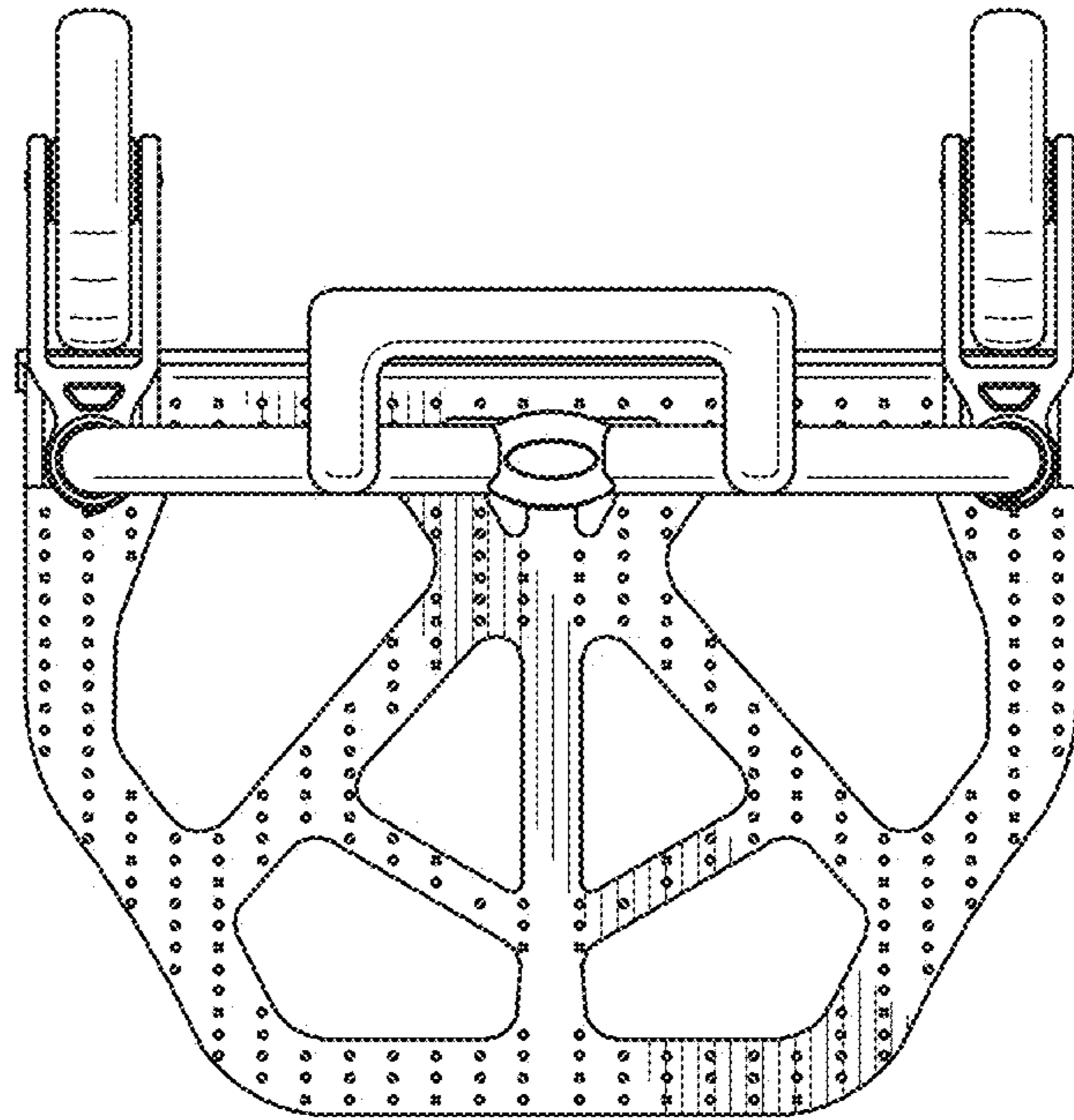


Fig. 7

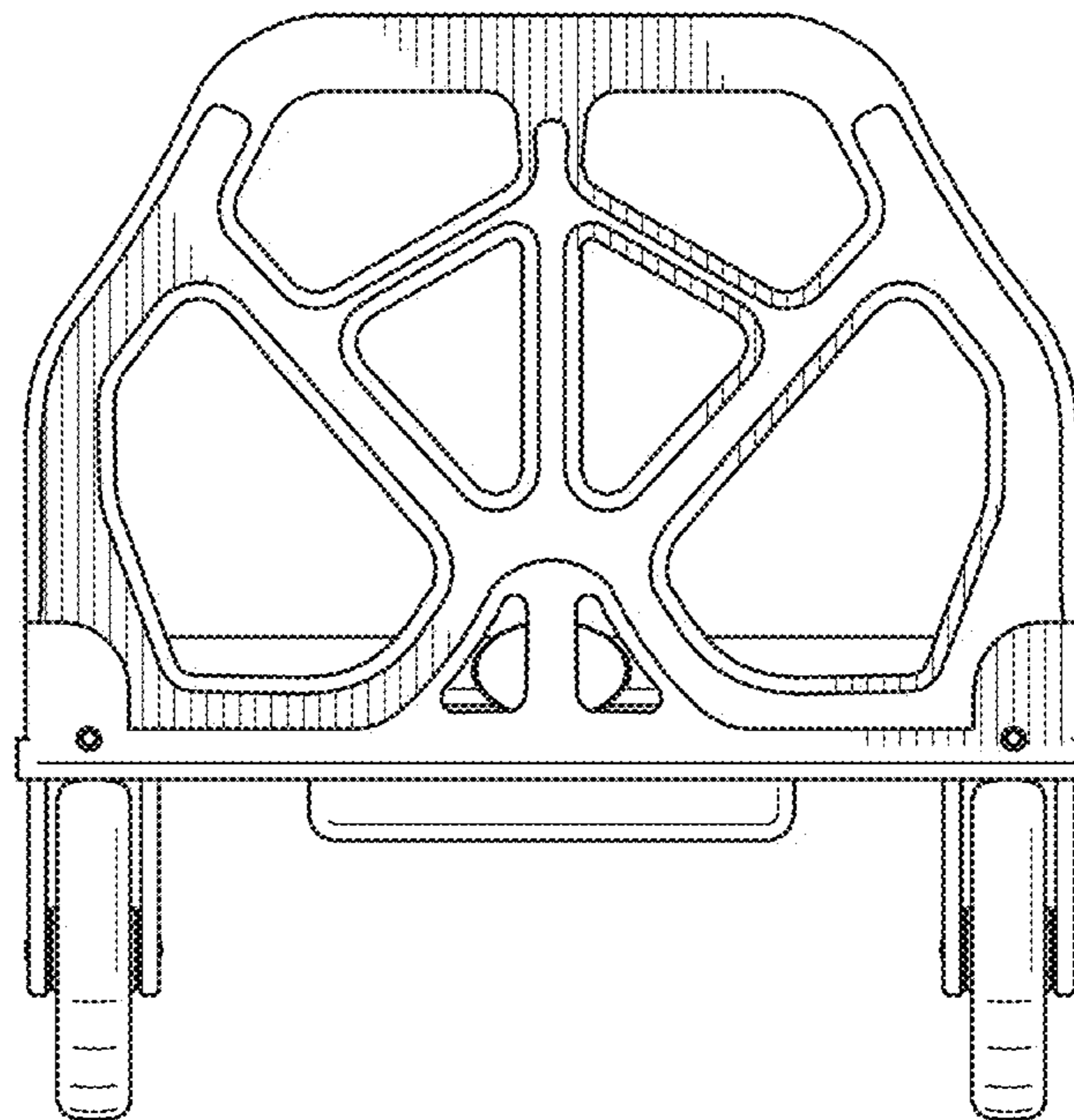
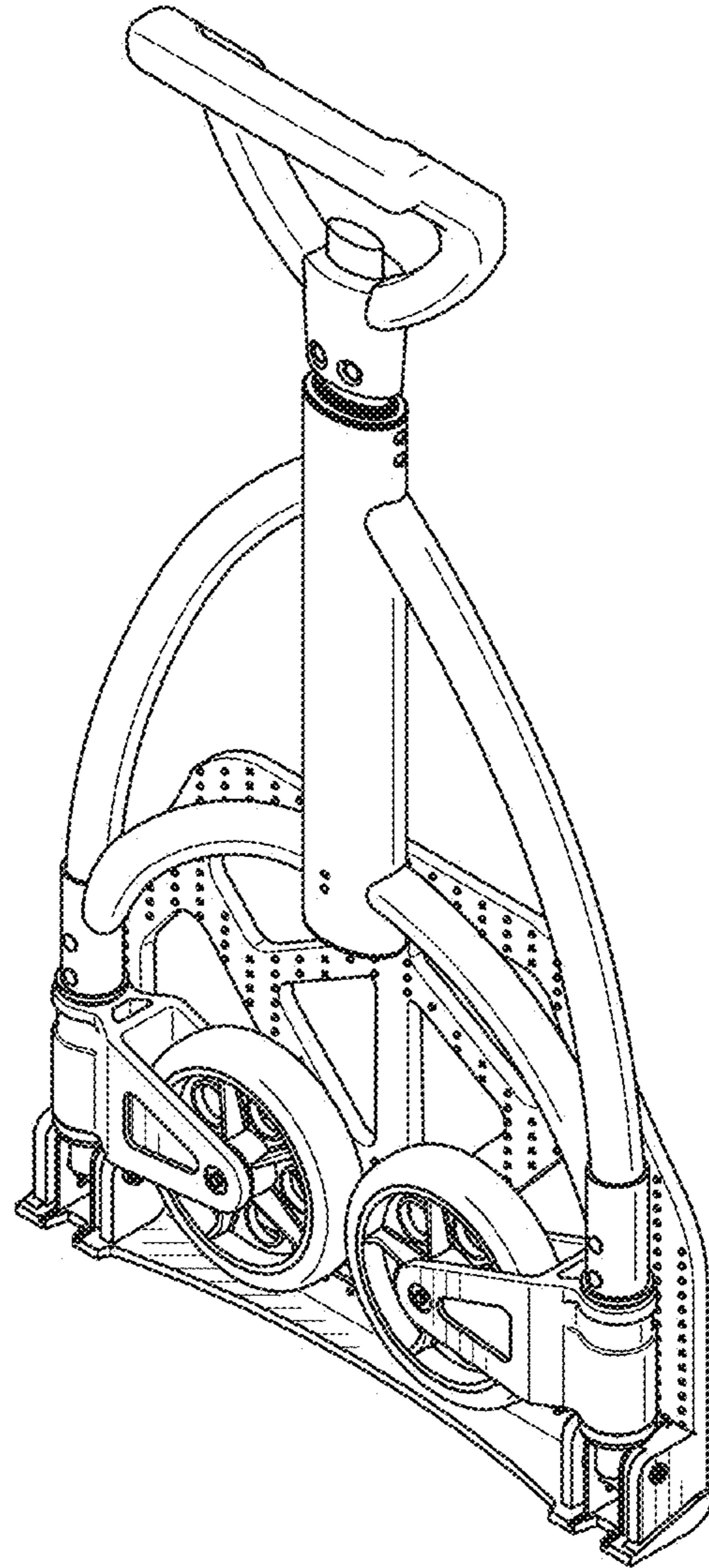


Fig. 8

Fig. 9



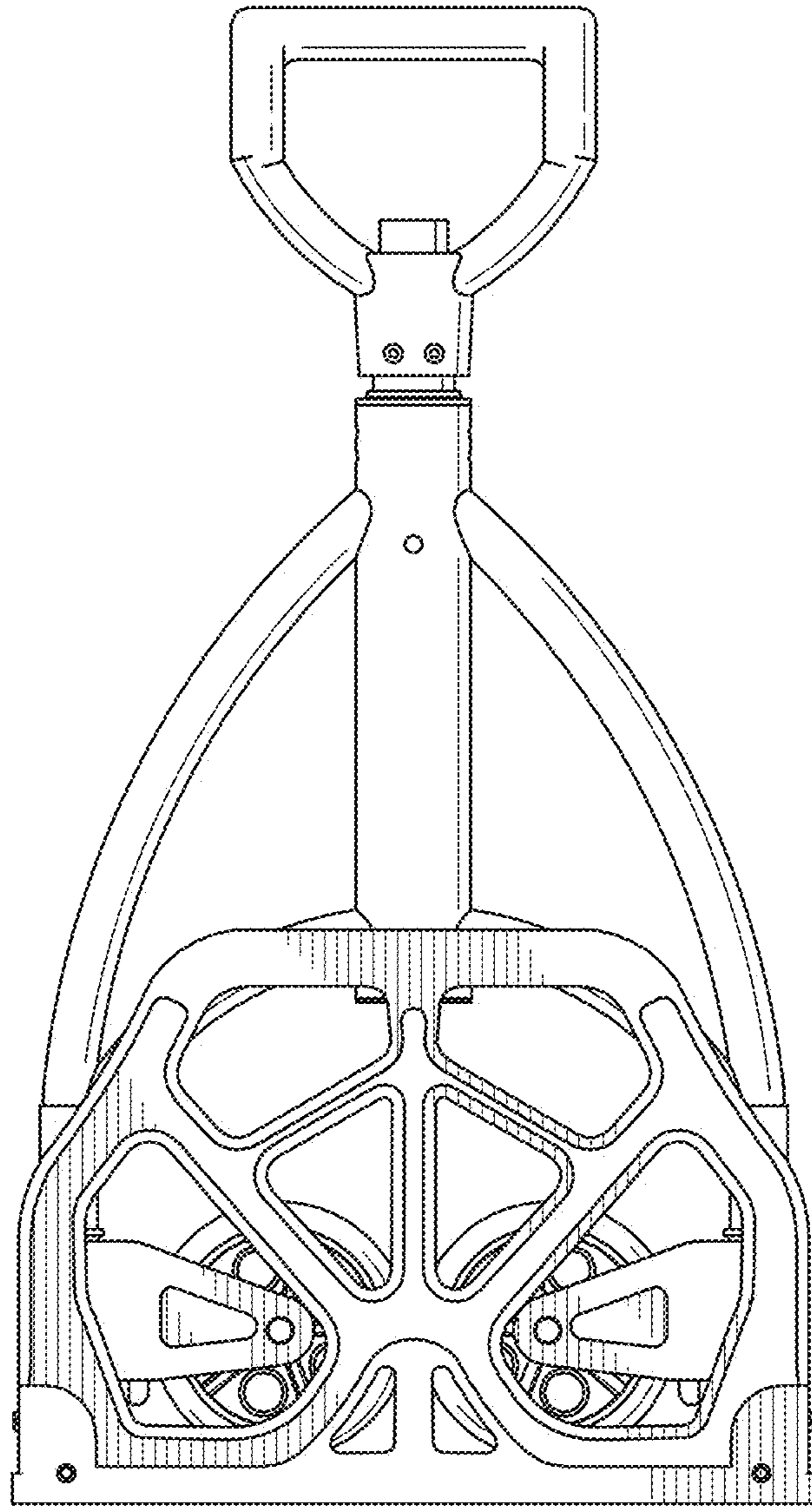


Fig. 10

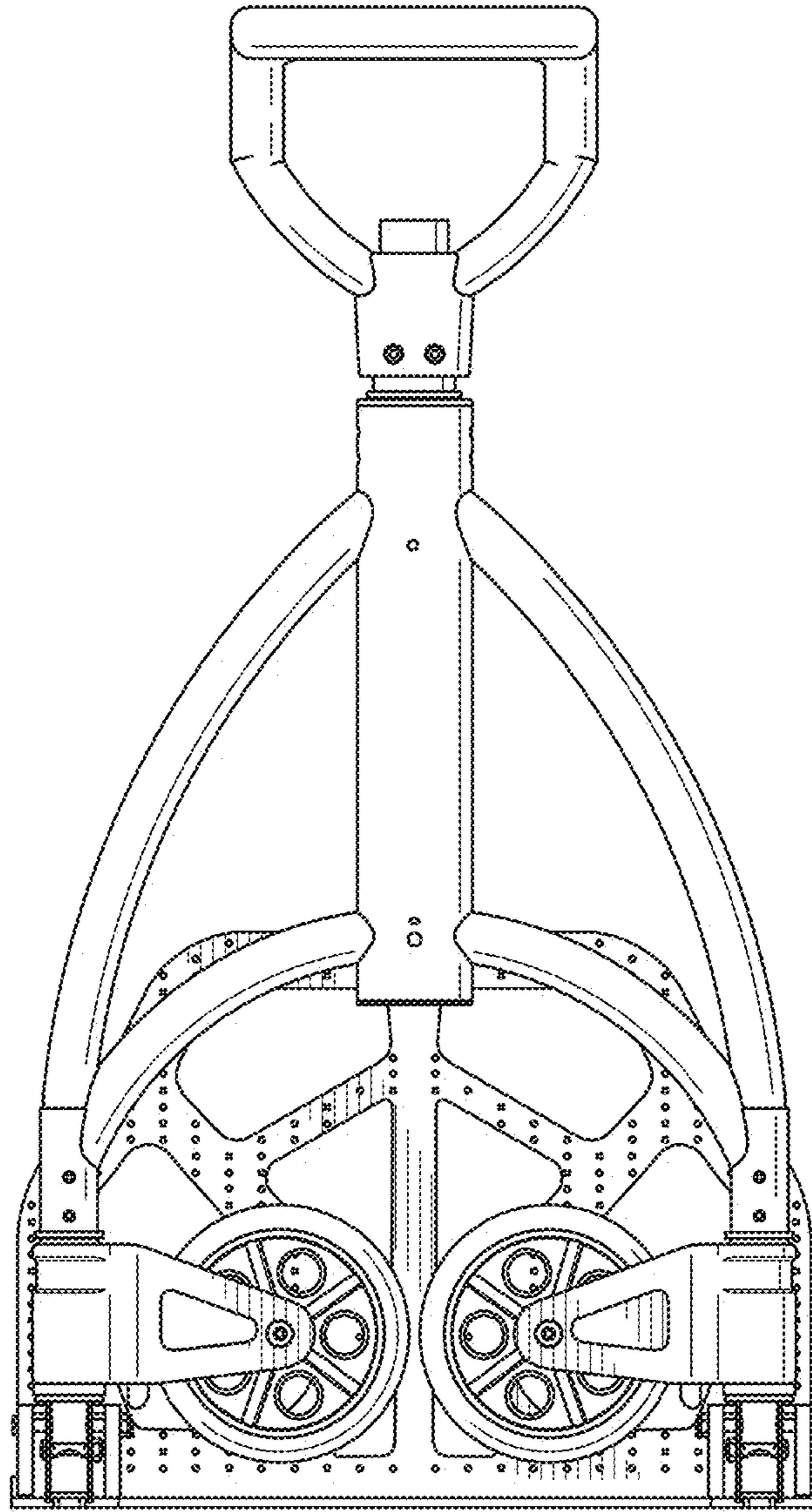


Fig. 11

Fig. 12

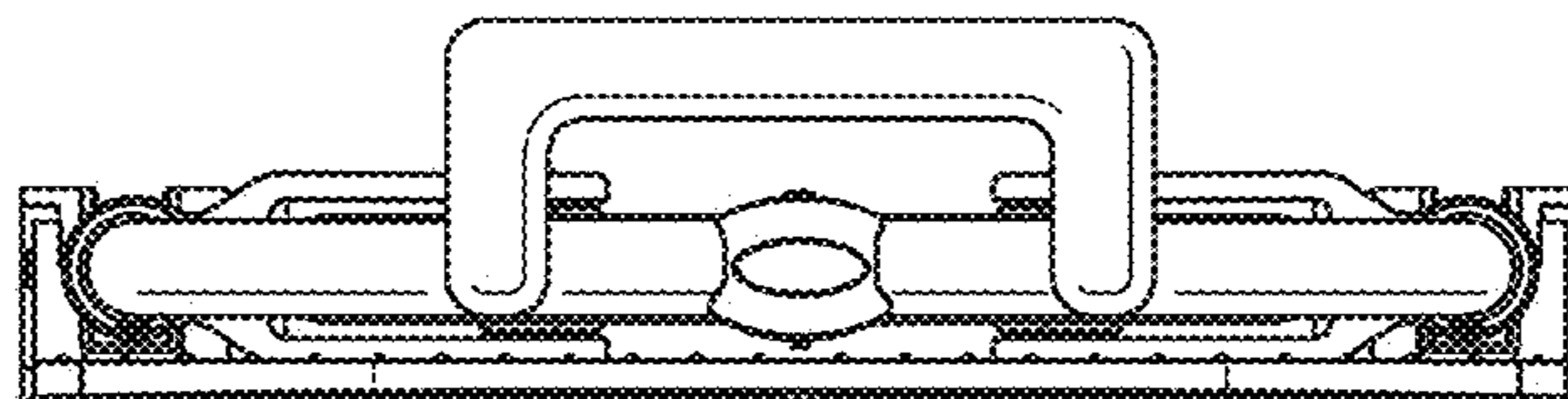
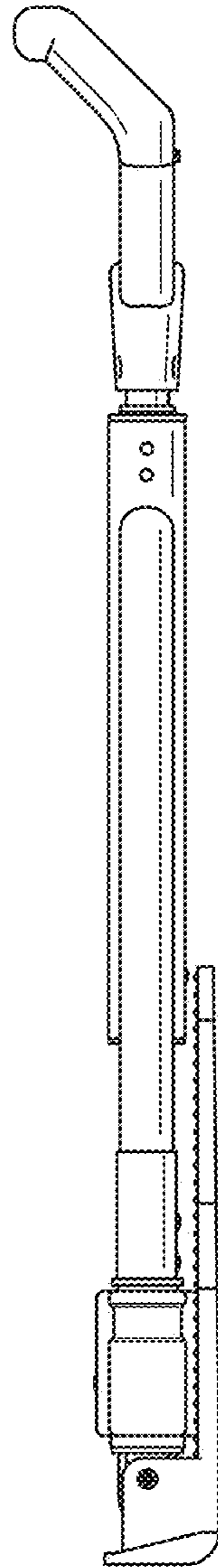


Fig. 13