



US00D683920S

(12) **United States Design Patent**
Bonafide

(10) **Patent No.:** **US D683,920 S**
(45) **Date of Patent:** **** Jun. 4, 2013**

(54) **CONTAINER DEVICE INCLUDING
CONTOURED FINGER GRIPS**

D545,519 S * 6/2007 King D32/53
D636,549 S * 4/2011 Rockwell et al. D32/53

(76) **Inventor:** **Peter J. Bonafide**, New Smyrna Beach,
FL (US)

* cited by examiner

(**) **Term:** **14 Years**

Primary Examiner — Robin V Webster

(21) **Appl. No.:** **29/425,450**

(74) *Attorney, Agent, or Firm* — Allen, Dyer, Doppelt,
Milbrath & Gilchrist, P.A.

(22) **Filed:** **Jun. 22, 2012**

(51) **LOC (9) Cl.** **07-07**

(52) **U.S. Cl.**
USPC **D32/53**

(58) **Field of Classification Search**
USPC D32/53–54; 15/260–264; 220/904,
220/659; D9/429

See application file for complete search history.

(56) **References Cited**

U.S. PATENT DOCUMENTS

D430,459 S * 9/2000 Conti D7/615
D469,233 S * 1/2003 Begnani D32/53

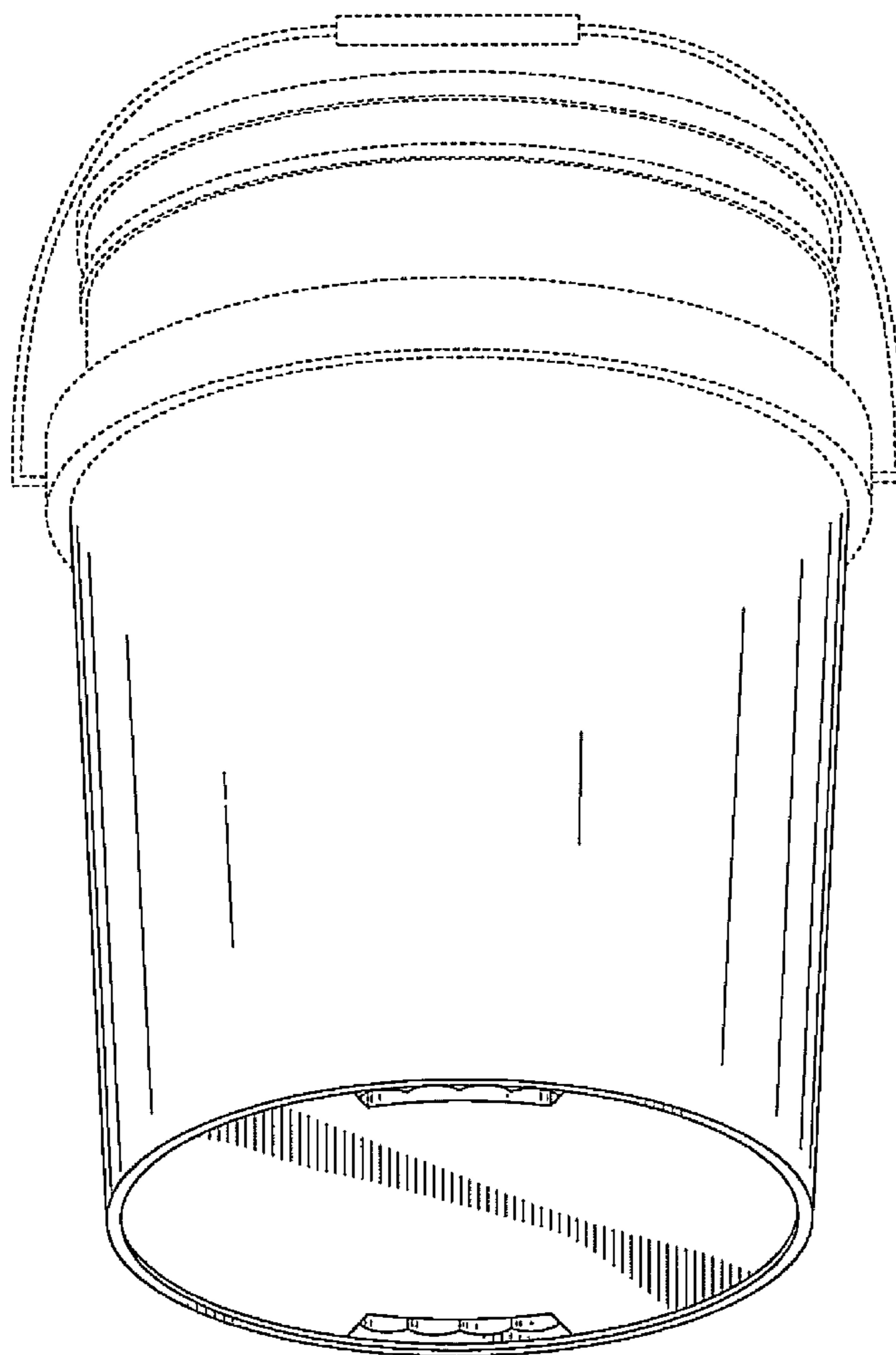
(57) **CLAIM**

The ornamental design for a container device including con-
toured finger grips, as shown and described.

DESCRIPTION

FIG. 1 is a perspective view thereof;
FIG. 2 is a side view thereof;
FIG. 3 is a top view thereof;
FIG. 4 is a bottom view thereof; and,
FIG. 5 is a perspective bottom view thereof.
The broken line showing of environmental structures is for
illustrative purposes only and forms no part of the claimed
design.

1 Claim, 5 Drawing Sheets



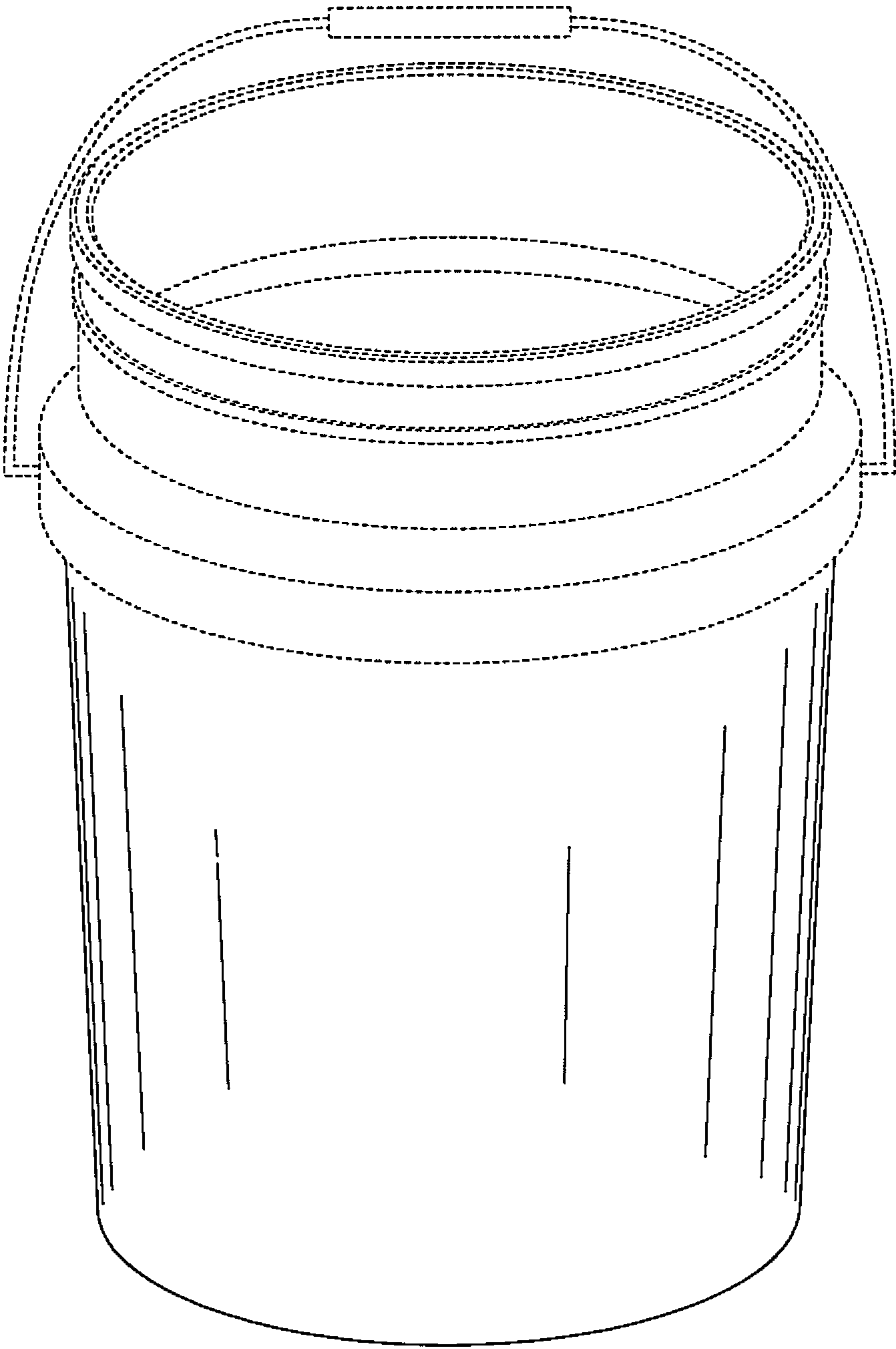


FIG. 1

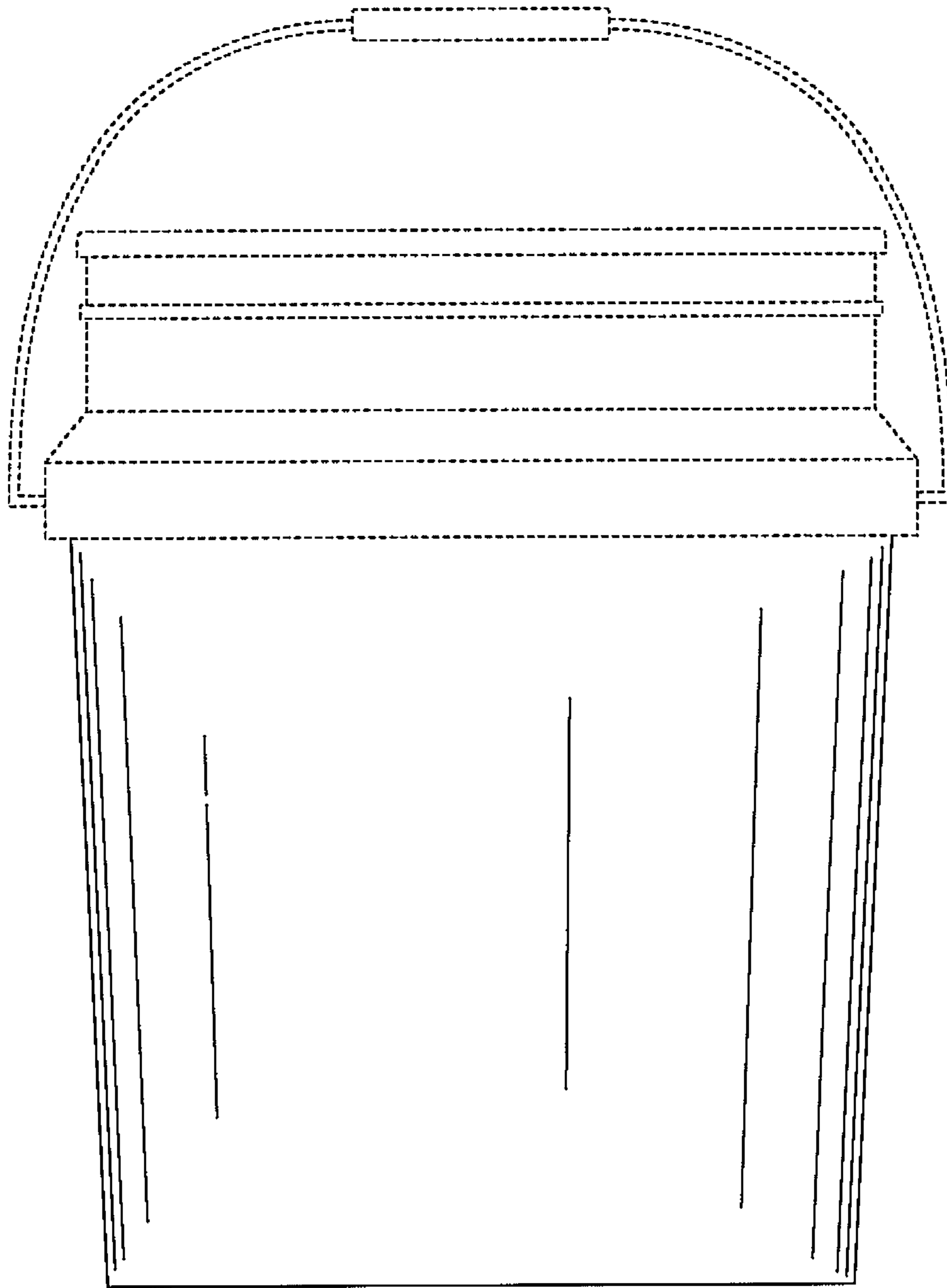


FIG. 2

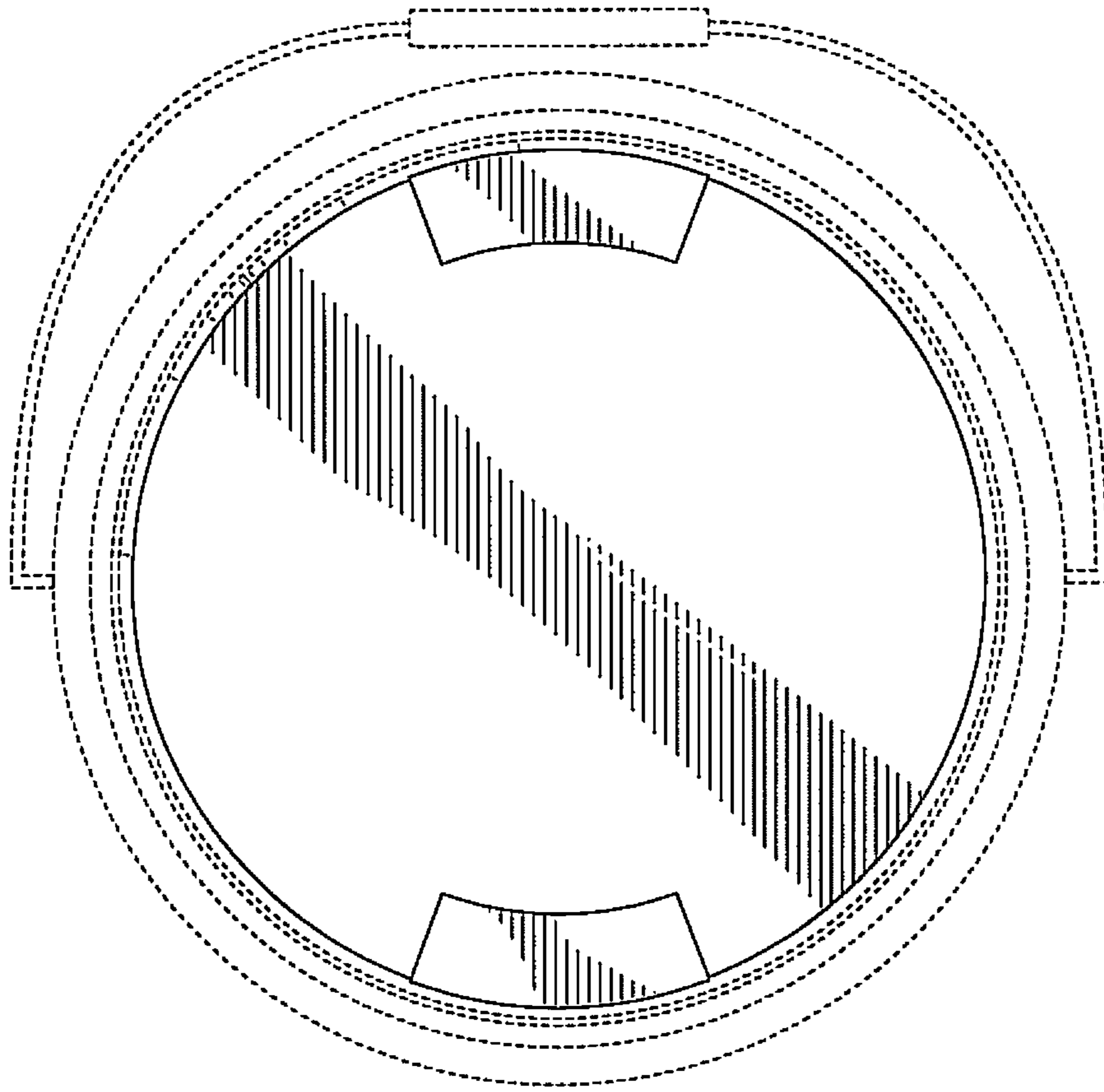


FIG. 3

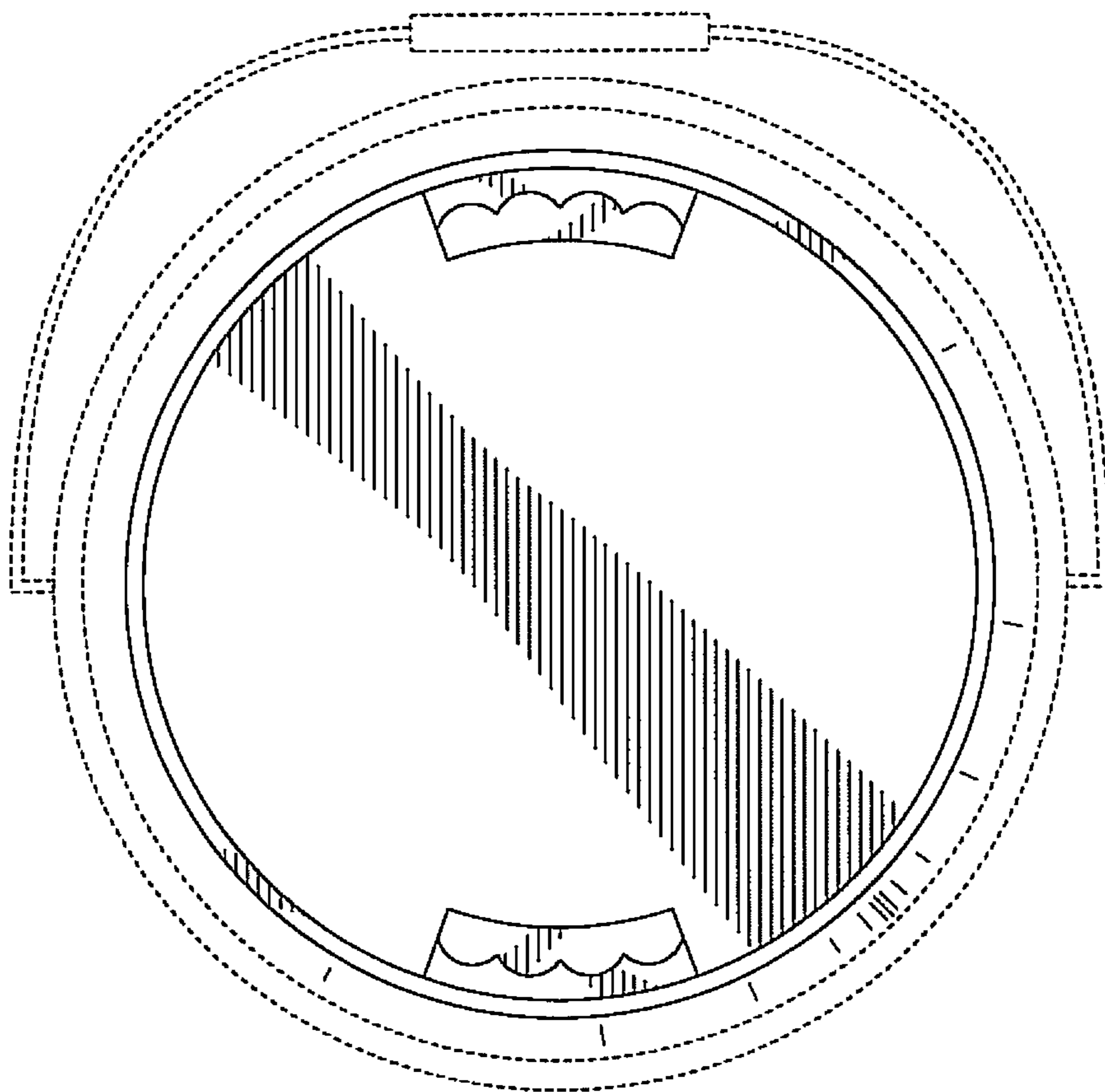


FIG. 4

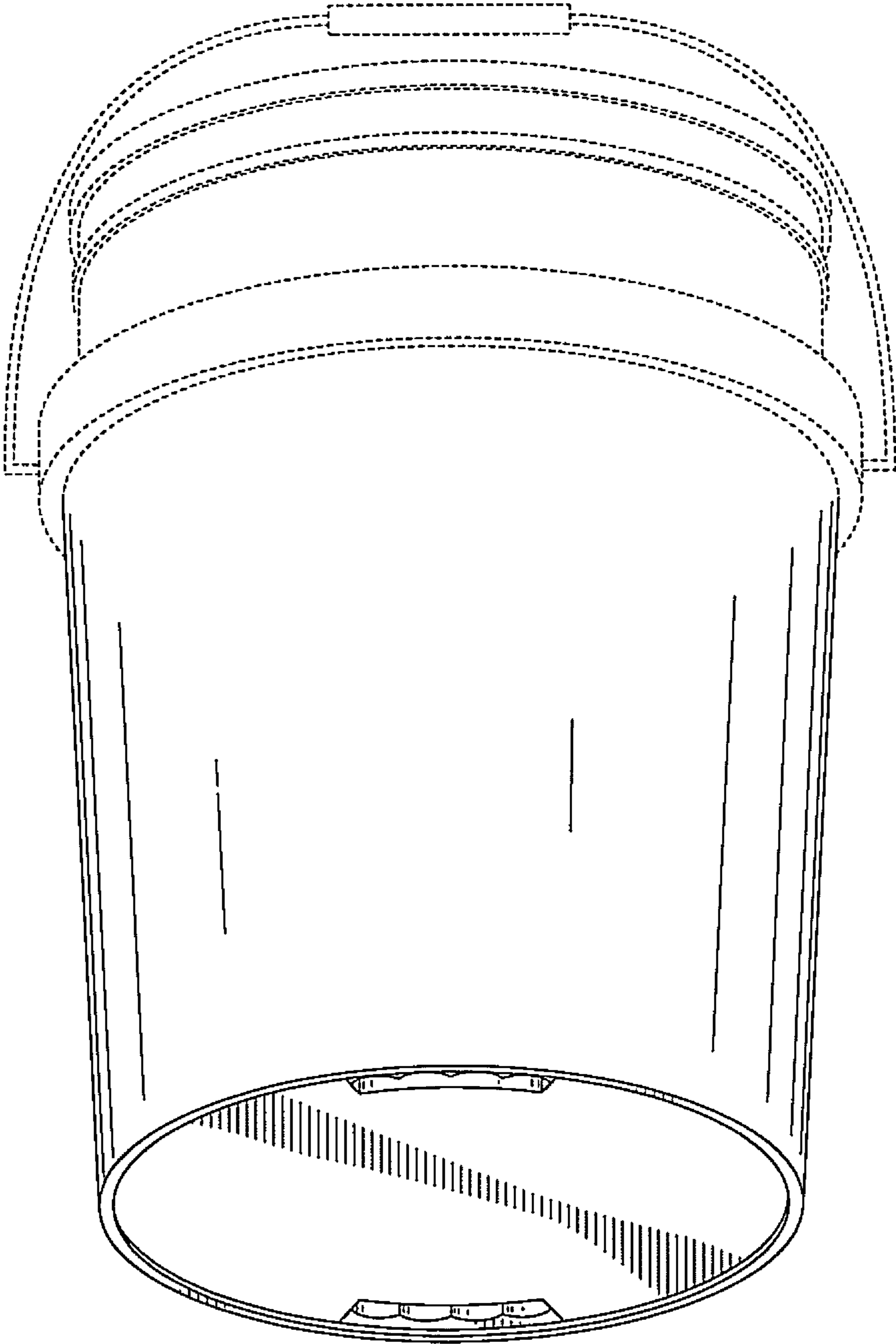


FIG. 5