



US00D683919S

(12) **United States Design Patent**  
**Luedke et al.**

(10) **Patent No.:** **US D683,919 S**  
(45) **Date of Patent:** **\*\* Jun. 4, 2013**

(54) **VACUUM CLEANER FOOT**

(76) Inventors: **Adam Luedke**, Holland, MI (US);  
**Clifford Krapfl**, Chicago, IL (US);  
**Joseph Hyung Seok Lee**, Chicago, IL  
(US); **Thomas Mitchell**, Chicago, IL  
(US)

(\*\*) **Term:** **14 Years**

(21) **Appl. No.:** **29/415,295**

(22) **Filed:** **Mar. 9, 2012**

(51) **LOC (9) Cl.** ..... **15-05**

(52) **U.S. Cl.**  
USPC ..... **D32/32**

(58) **Field of Classification Search**  
USPC .... D32/21, 22, 31-34, 17, 42, 45, 50; 15/1.7,  
15/415.1, 416-422.1, 414, 322, 353, 400,  
15/327.1, 319, 366, 383, 179, 182, 41.1,  
15/320, 403

See application file for complete search history.

(56) **References Cited**

**U.S. PATENT DOCUMENTS**

D263,236 S *	3/1982	Ueda .....	D32/32
4,336,628 A *	6/1982	Bradshaw et al. ....	15/415.1
D381,780 S *	7/1997	Summers et al. ....	D32/33
D443,120 S *	5/2001	Choi .....	D32/32
D453,247 S *	1/2002	Lee .....	D32/32
D473,687 S *	4/2003	Kaffenberger .....	D32/33
D487,947 S *	3/2004	Pecci et al. ....	D32/32
D488,600 S *	4/2004	Pecci et al. ....	D32/32

D490,950 S *	6/2004	Pecci et al. ....	D32/32
D518,932 S *	4/2006	Maruyama et al. ....	D32/32
D556,964 S *	12/2007	Song et al. ....	D32/32
D564,158 S *	3/2008	Crevling et al. ....	D32/32
D566,358 S *	4/2008	Santiago .....	D32/32
7,520,015 B1 *	4/2009	Ajello .....	15/1.7
D618,873 S *	6/2010	Ayers .....	D32/33
D619,315 S *	7/2010	Ayers .....	D32/32
D621,564 S *	8/2010	Kaffenberger .....	D32/32
D647,675 S *	10/2011	Lee .....	D32/32

\* cited by examiner

*Primary Examiner* — Ruth McInroy

(74) *Attorney, Agent, or Firm* — McGarry Bair PC

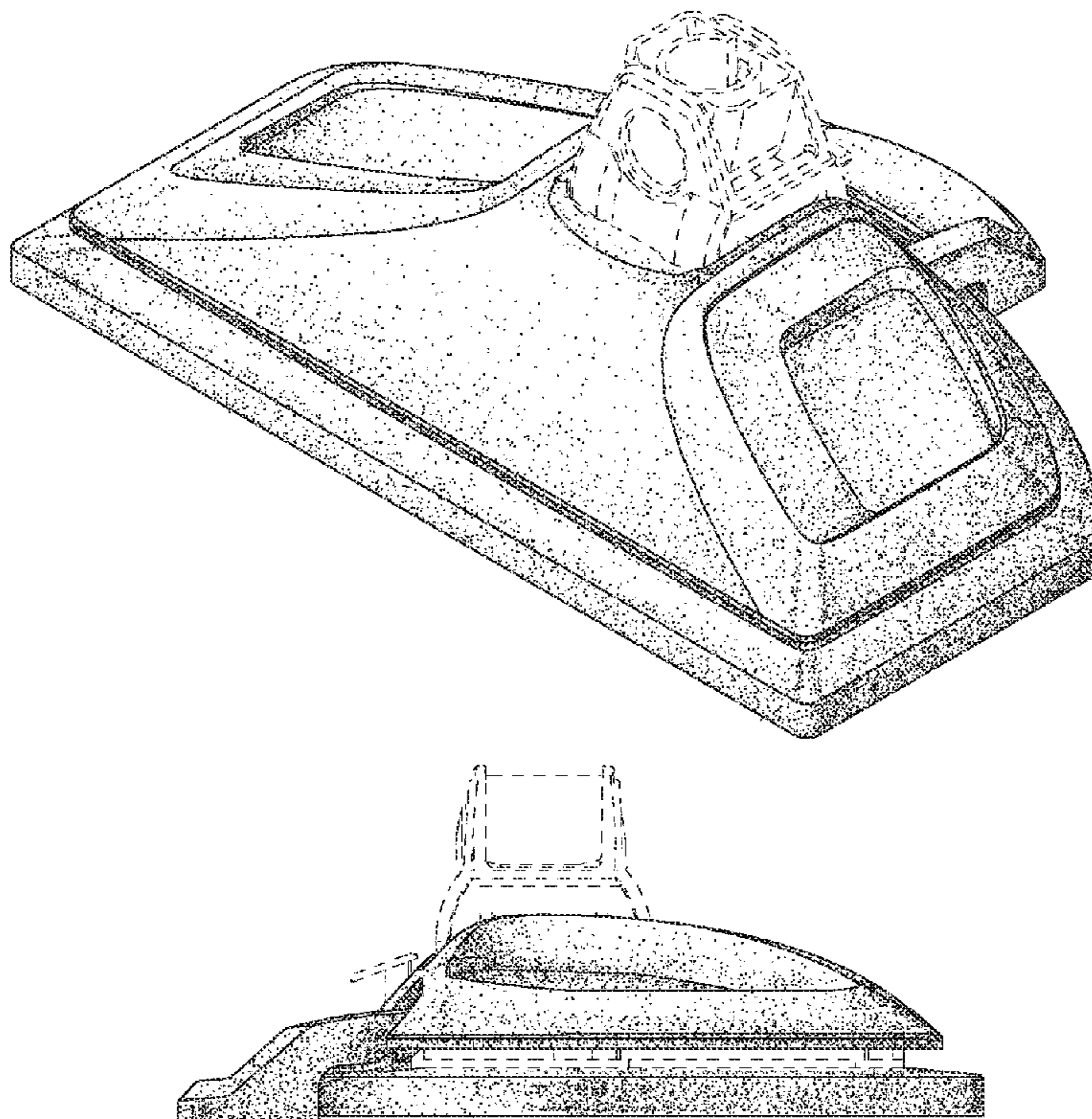
(57) **CLAIM**

The ornamental design for a vacuum cleaner foot, as shown and described.

**DESCRIPTION**

FIG. 1 is a perspective view of a vacuum cleaner foot which embodies our design;  
FIG. 2 is a front view thereof;  
FIG. 3 is a rear view thereof;  
FIG. 4 is a left side view thereof, the right side view thereof being a mirror image of the left side view thereof; and,  
FIG. 5 is a top view thereof.  
Portions of the vacuum cleaner foot shown in broken lines form no part of the claimed design.

**1 Claim, 2 Drawing Sheets**



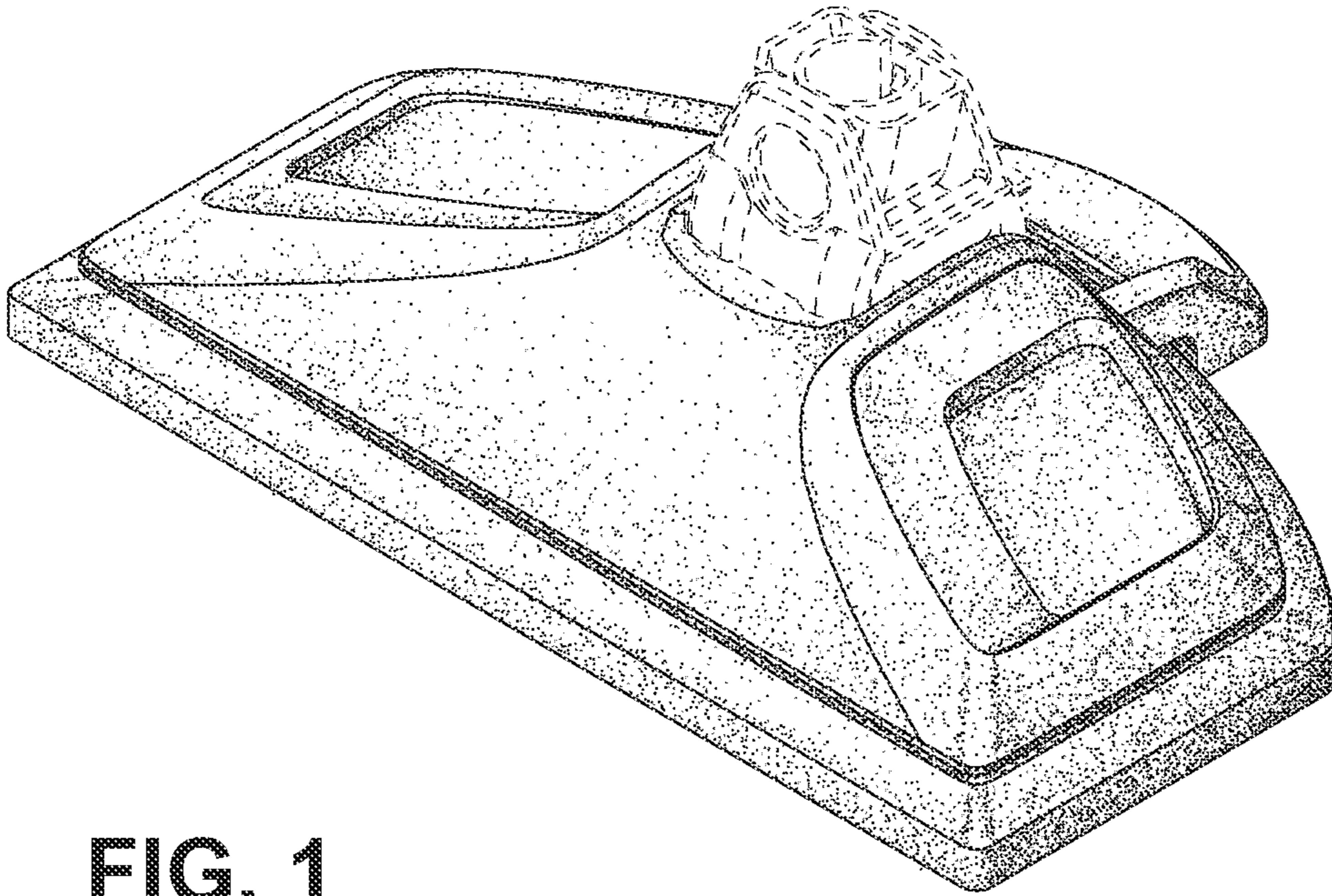


FIG. 1

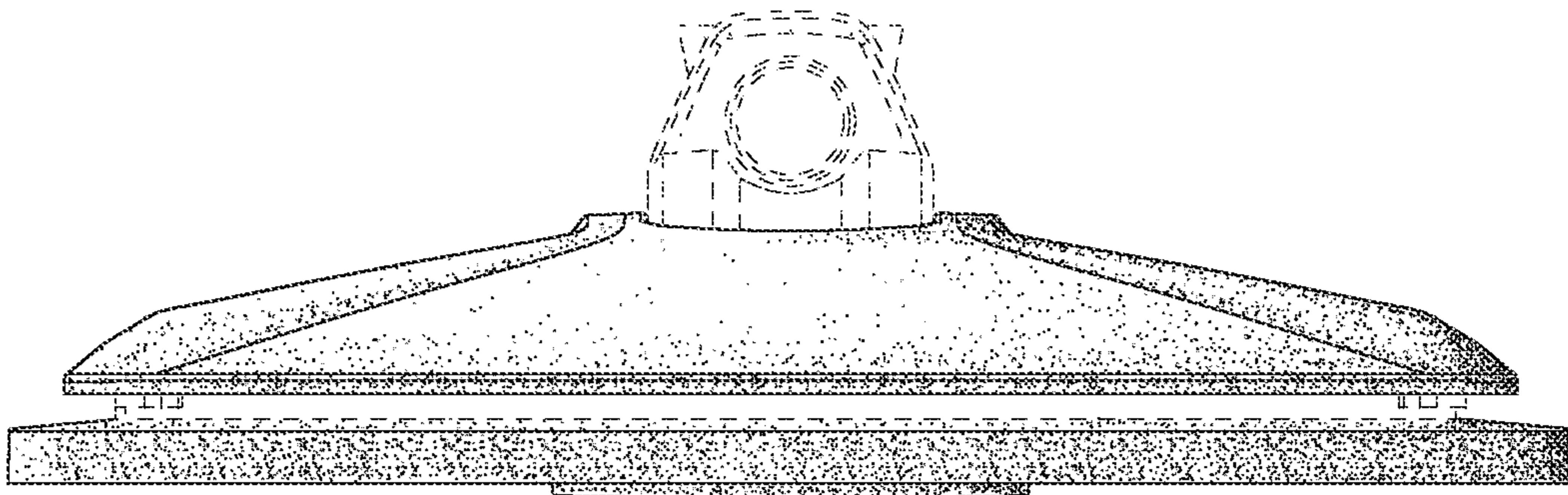


FIG. 2

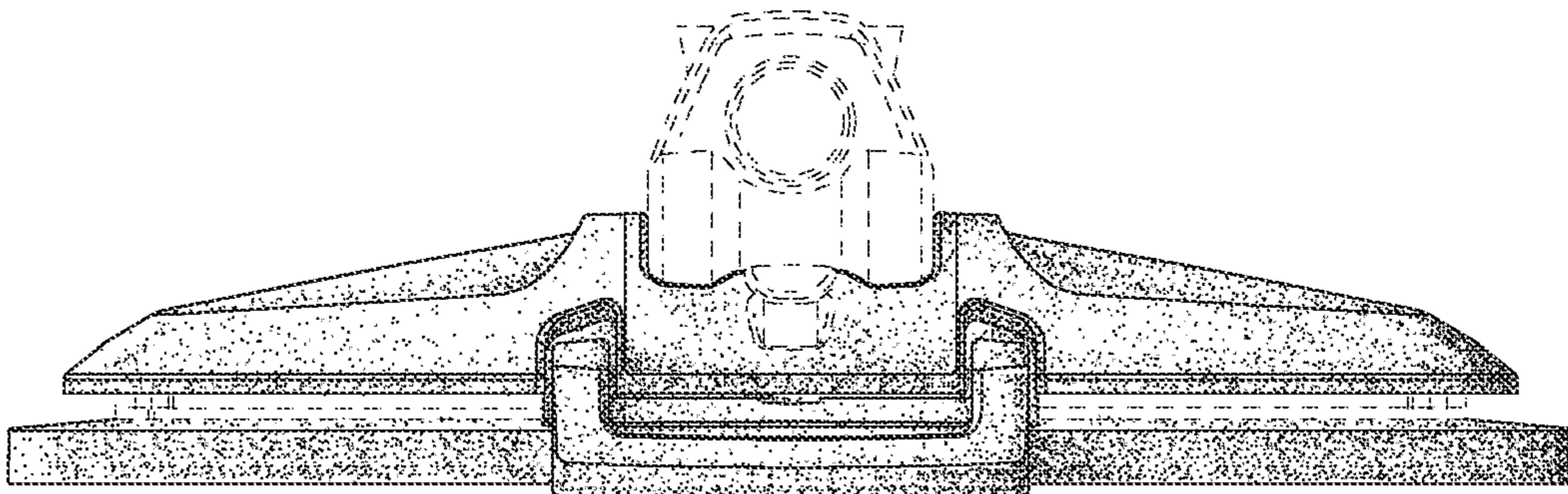
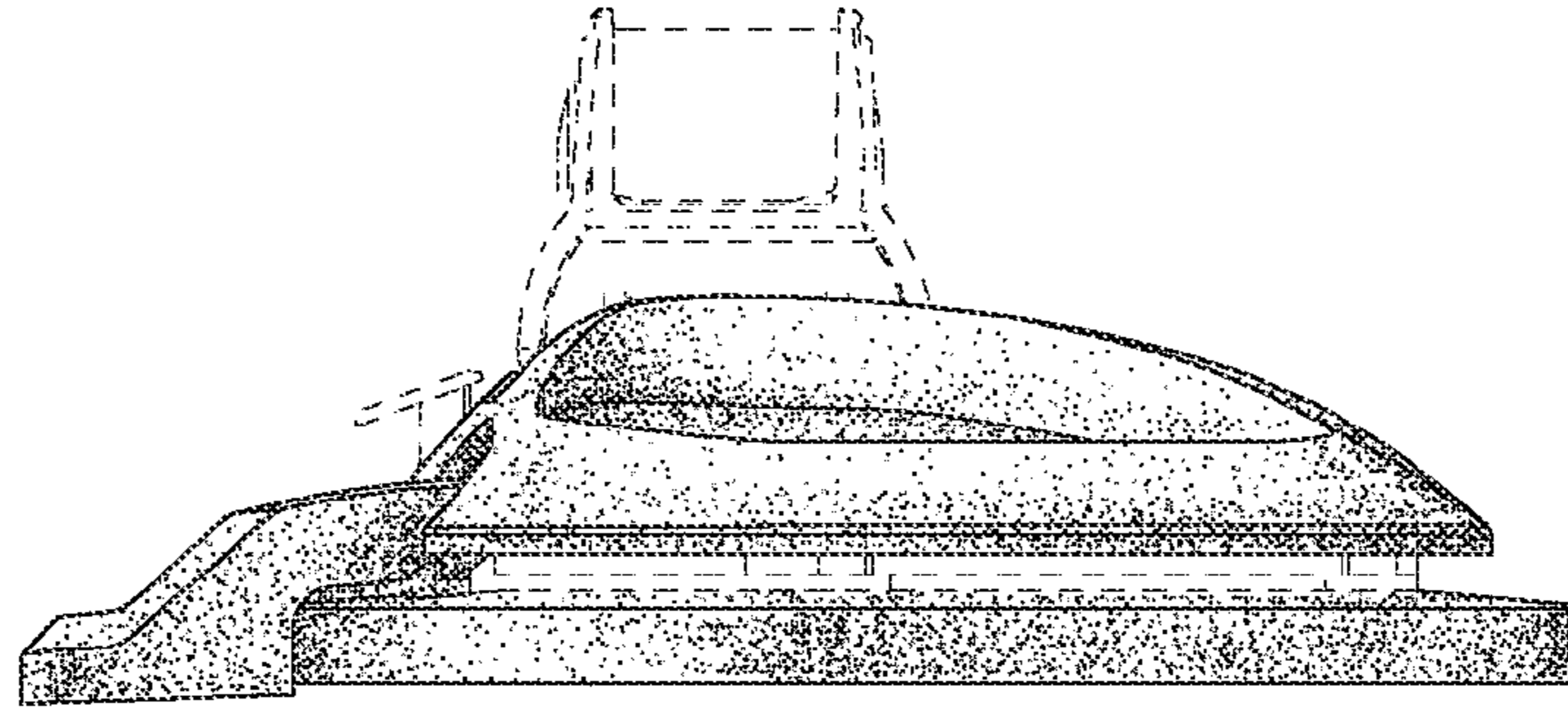
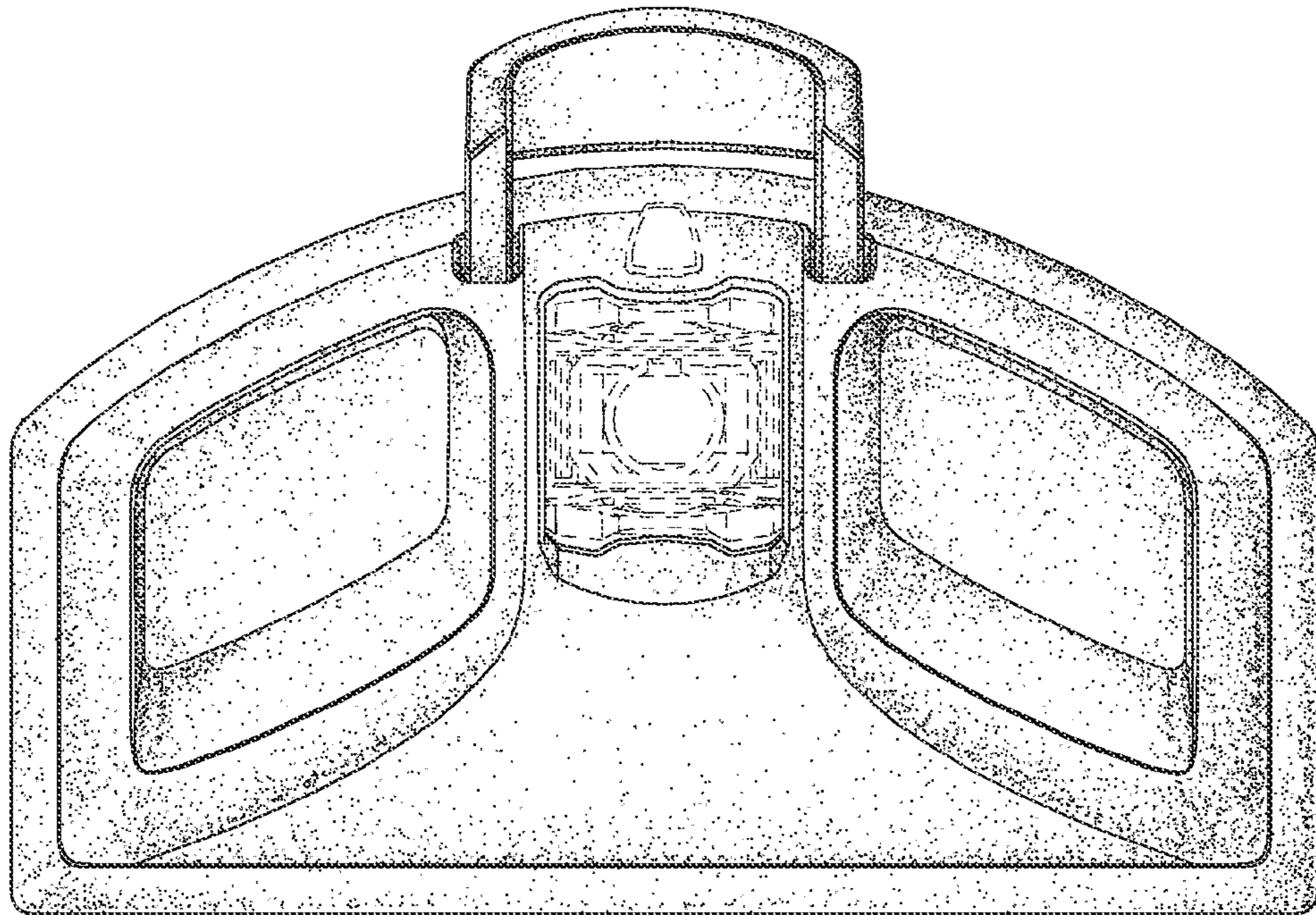


FIG. 3



**FIG. 4**



**FIG. 5**