



US00D683917S

(12) **United States Design Patent**  
**Rees**

(10) **Patent No.:** **US D683,917 S**  
(45) **Date of Patent:** **\*\* Jun. 4, 2013**

- (54) **POWER WASHER**
- (75) Inventor: **Samuel Ryan Rees, Sheffield (GB)**
- (73) Assignee: **Evolution Power Tools Limited (GB)**
- (\*\*) Term: **14 Years**
- (21) Appl. No.: **29/404,675**
- (22) Filed: **Oct. 24, 2011**
- (51) **LOC (9) Cl.** ..... **15-05**
- (52) **U.S. Cl.**  
USPC ..... **D32/15**
- (58) **Field of Classification Search**  
USPC ..... D32/1, 4, 15, 18, 21; D13/112, 114,  
D13/116; 290/1 A, 1 B; 322/1; 123/2, 3,  
123/41.56; 239/146, 308, 310, 332;  
15/320-321, 327.1, 327.4-327.7, 344, 347,  
15/353, 410, 412, 414, 415.1, 422  
See application file for complete search history.

6,525,430 B1 *	2/2003	Asai et al. ....	290/1 A
D472,519 S *	4/2003	Buck .....	D13/114
D478,311 S *	8/2003	Yaguchi et al. ....	D13/114
D575,732 S *	8/2008	Wu et al. ....	D13/114
D588,987 S *	3/2009	Kato .....	D13/116
D638,794 S *	5/2011	Kato .....	D13/116

\* cited by examiner

*Primary Examiner* — T. Chase Nelson  
*Assistant Examiner* — Kathleen M Sims  
(74) *Attorney, Agent, or Firm* — Clark Hill PLC

(57) **CLAIM**  
The ornamental design for a power washer, as shown and described.

**DESCRIPTION**

FIG. 1 is a perspective view of a power washer of the present invention;  
FIG. 2 is a front elevation view thereof;  
FIG. 3 is a rear elevation view thereof;  
FIG. 4 is a left side elevation view thereof;  
FIG. 5 is a right side elevation view thereof;  
FIG. 6 is a top plan view thereof; and,  
FIG. 7 is an bottom plan view thereof.  
The broken line showing of details in FIGS. 2, 3, 6 and 7 is included for the purpose of showing environmental portions of the power washer and forms no part of the claimed design.

- (56) **References Cited**  
**U.S. PATENT DOCUMENTS**  
4,503,812 A \* 3/1985 Eberhardt ..... 123/2  
D282,734 S \* 2/1986 Shibuya ..... D13/114  
D293,904 S \* 1/1988 Murakami et al. .... D13/116  
D441,714 S \* 5/2001 Yuzuriha ..... D13/116  
6,331,740 B1 \* 12/2001 Morohoshi et al. .... 290/1 A  
6,362,533 B1 \* 3/2002 Morohoshi et al. .... 290/1 A

**1 Claim, 7 Drawing Sheets**

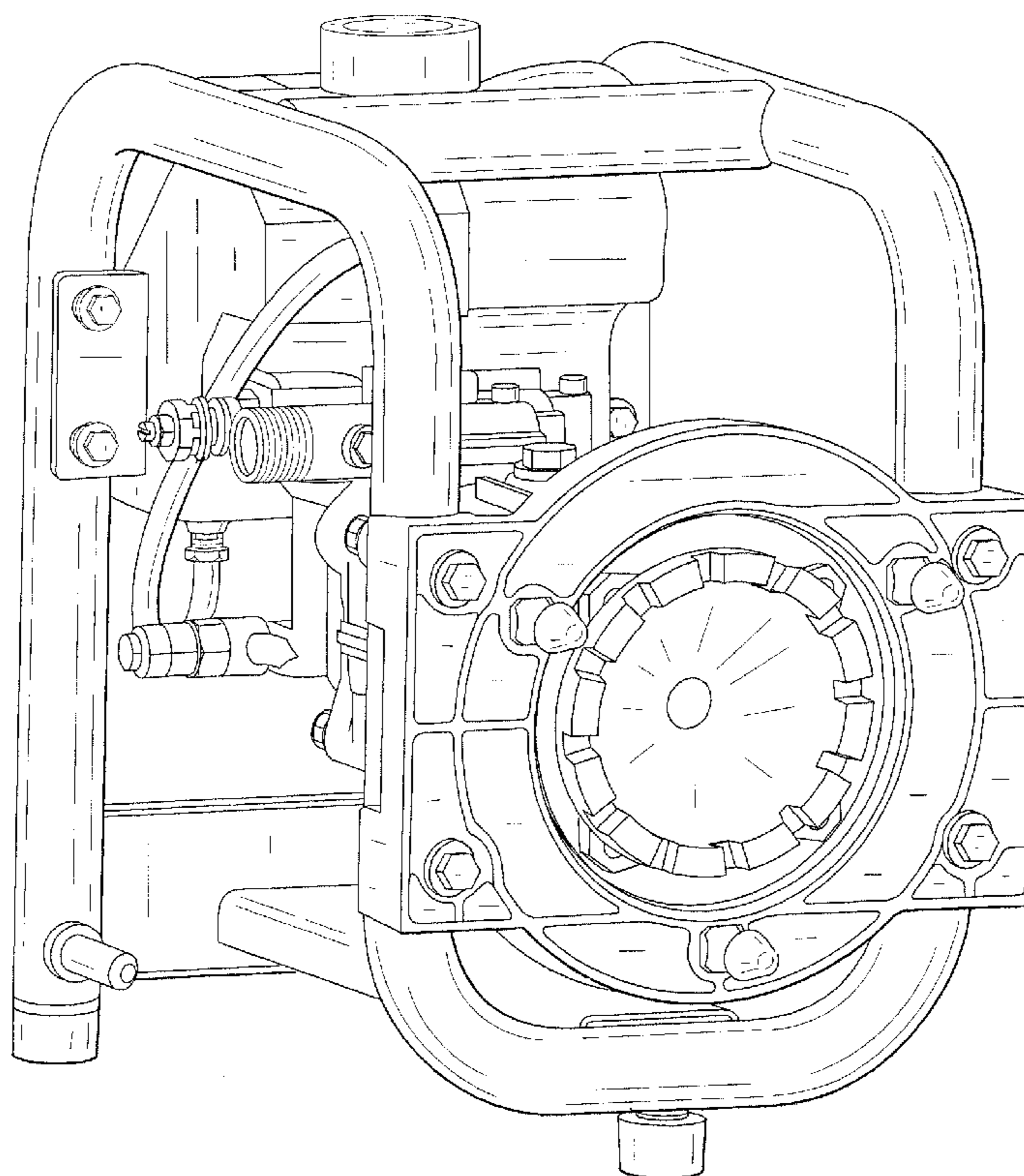


FIG. 1

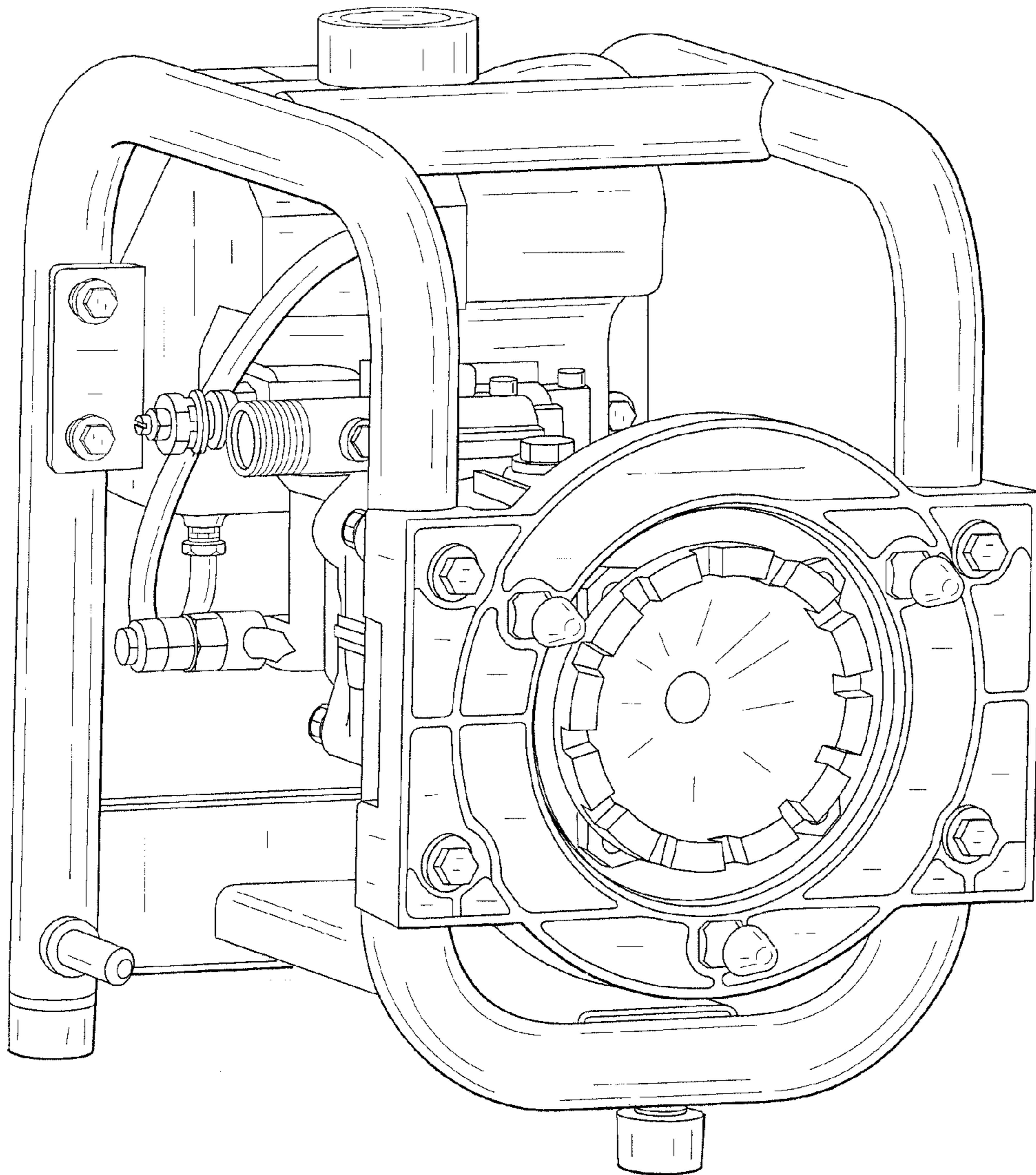
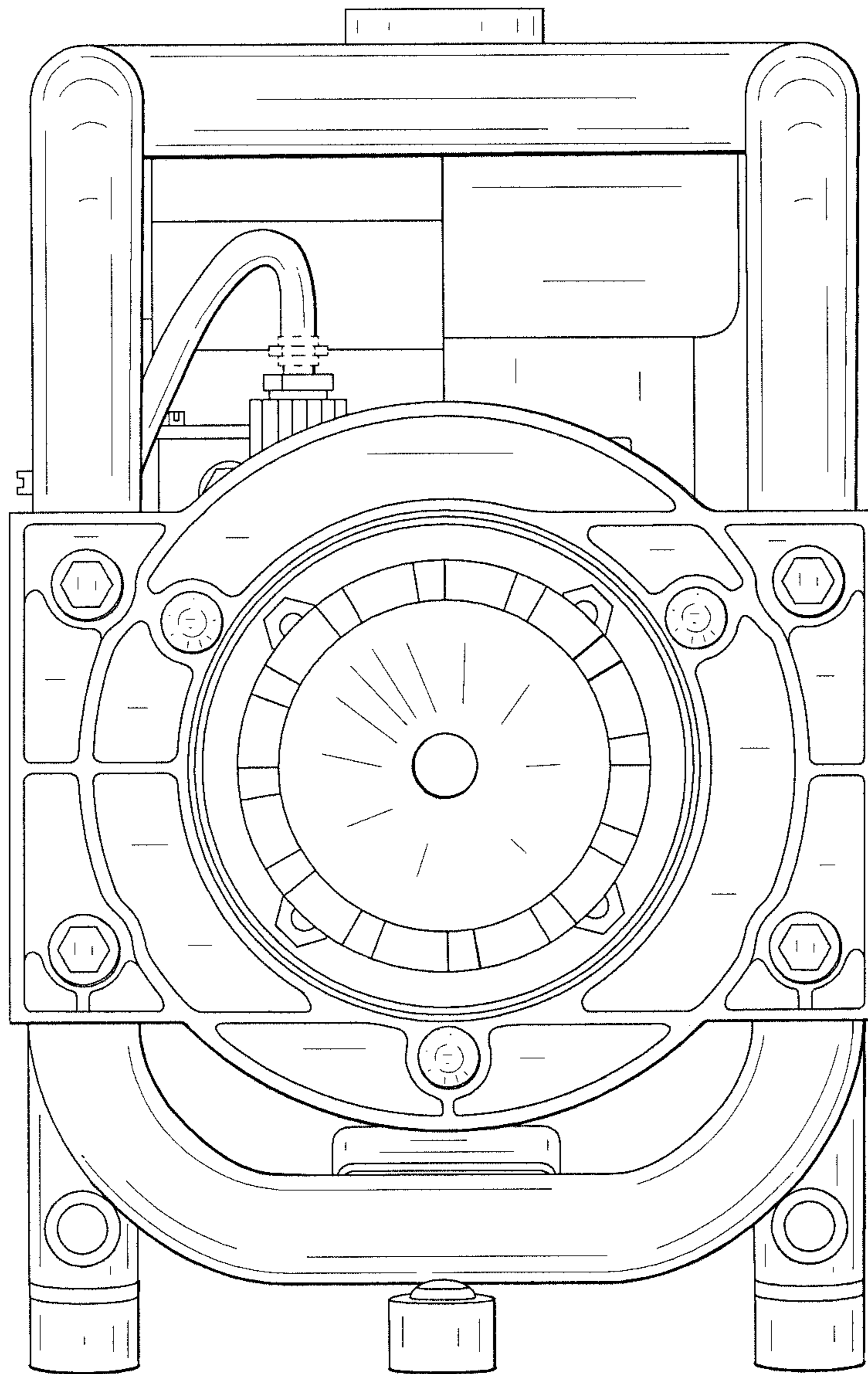


FIG. 2



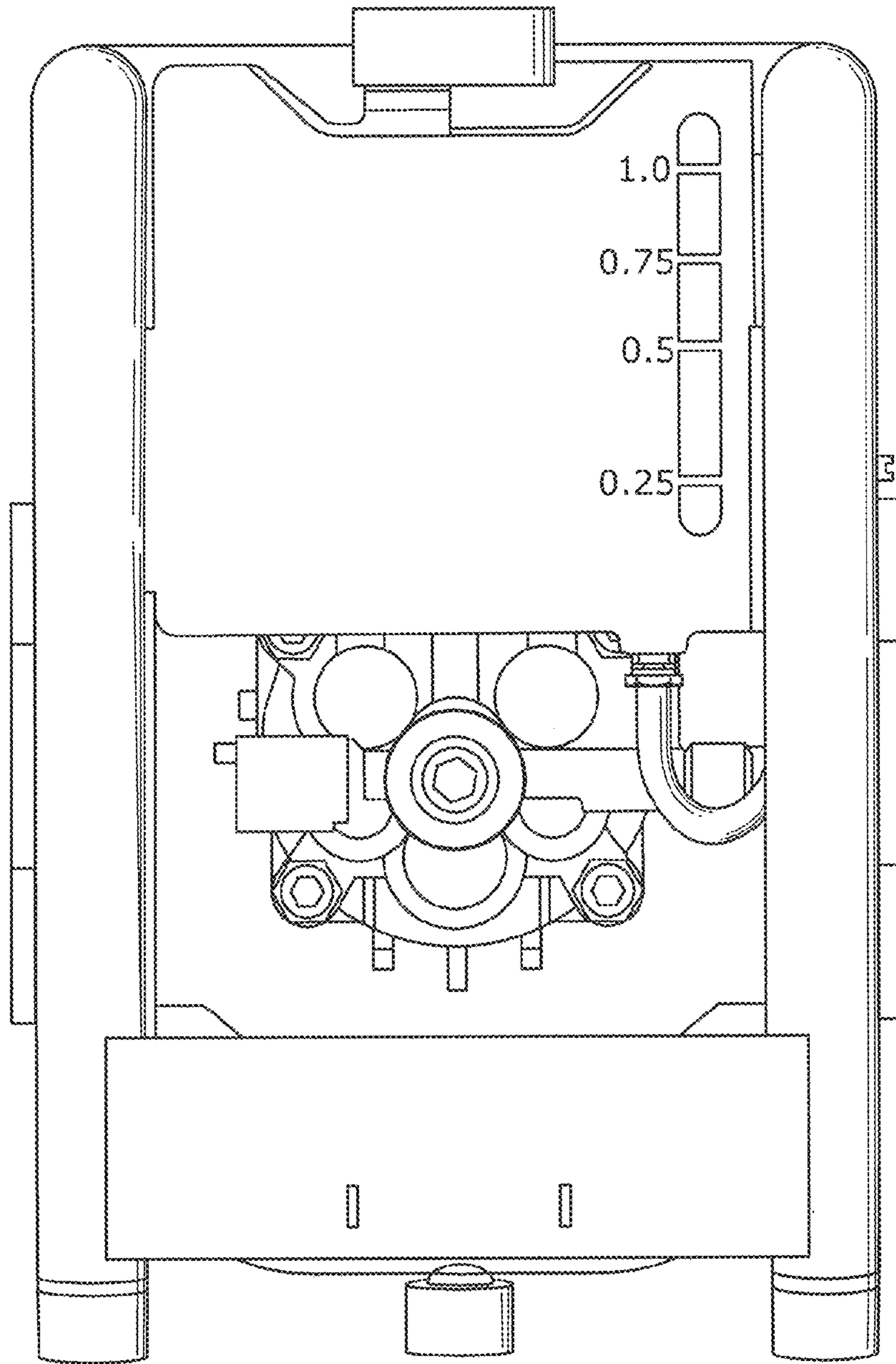


Fig. 3

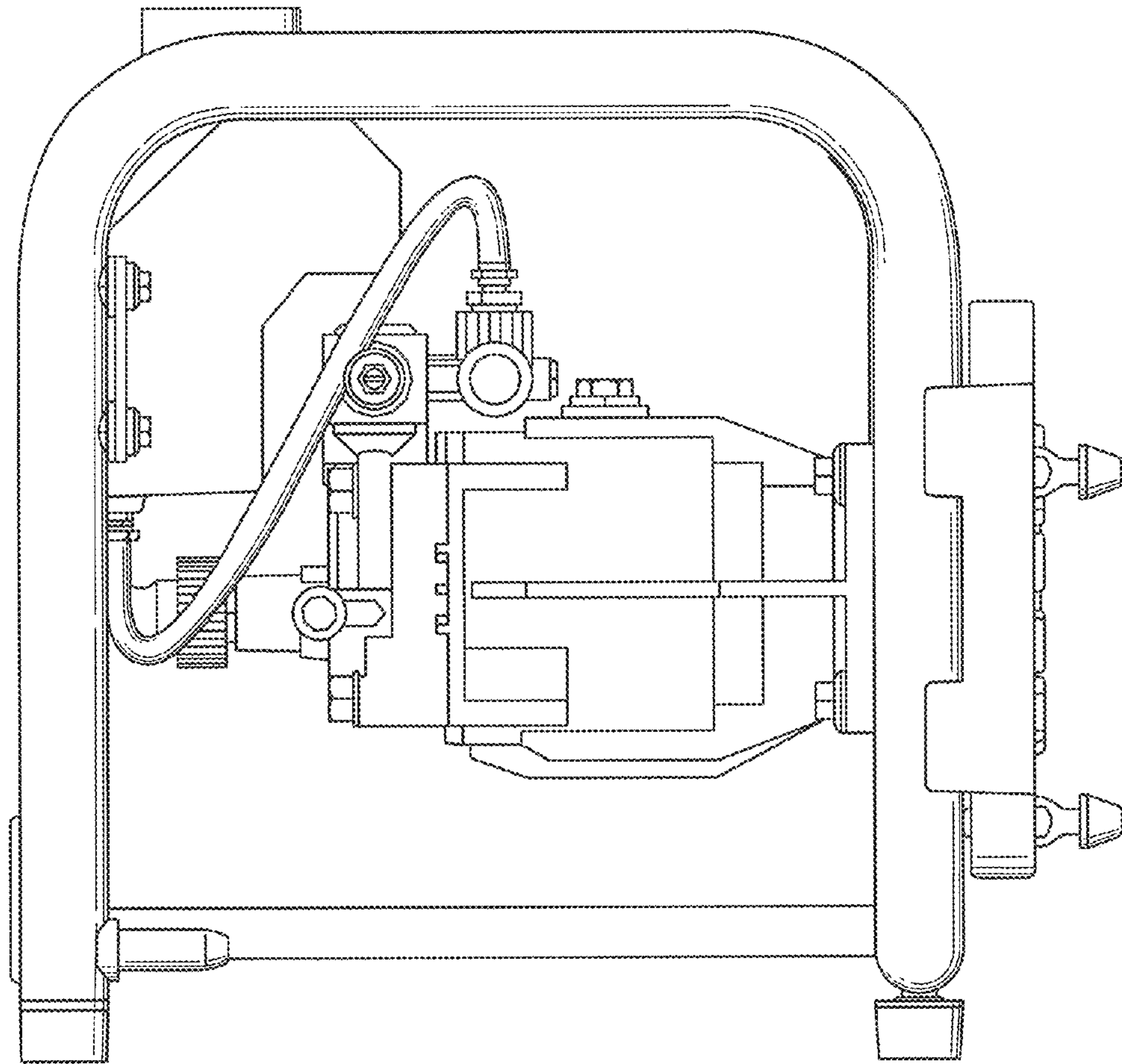


Fig. 4

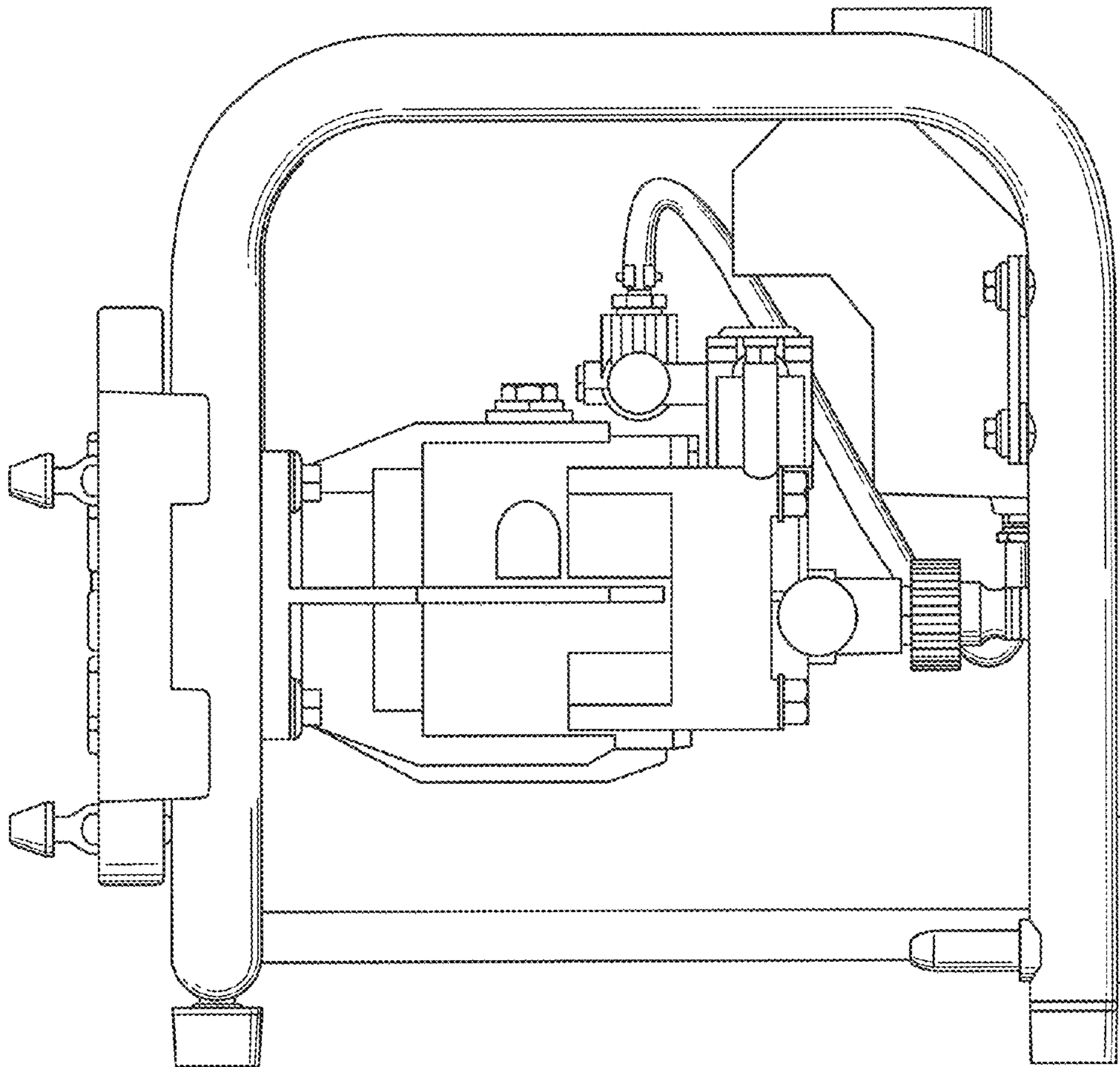


Fig. 5

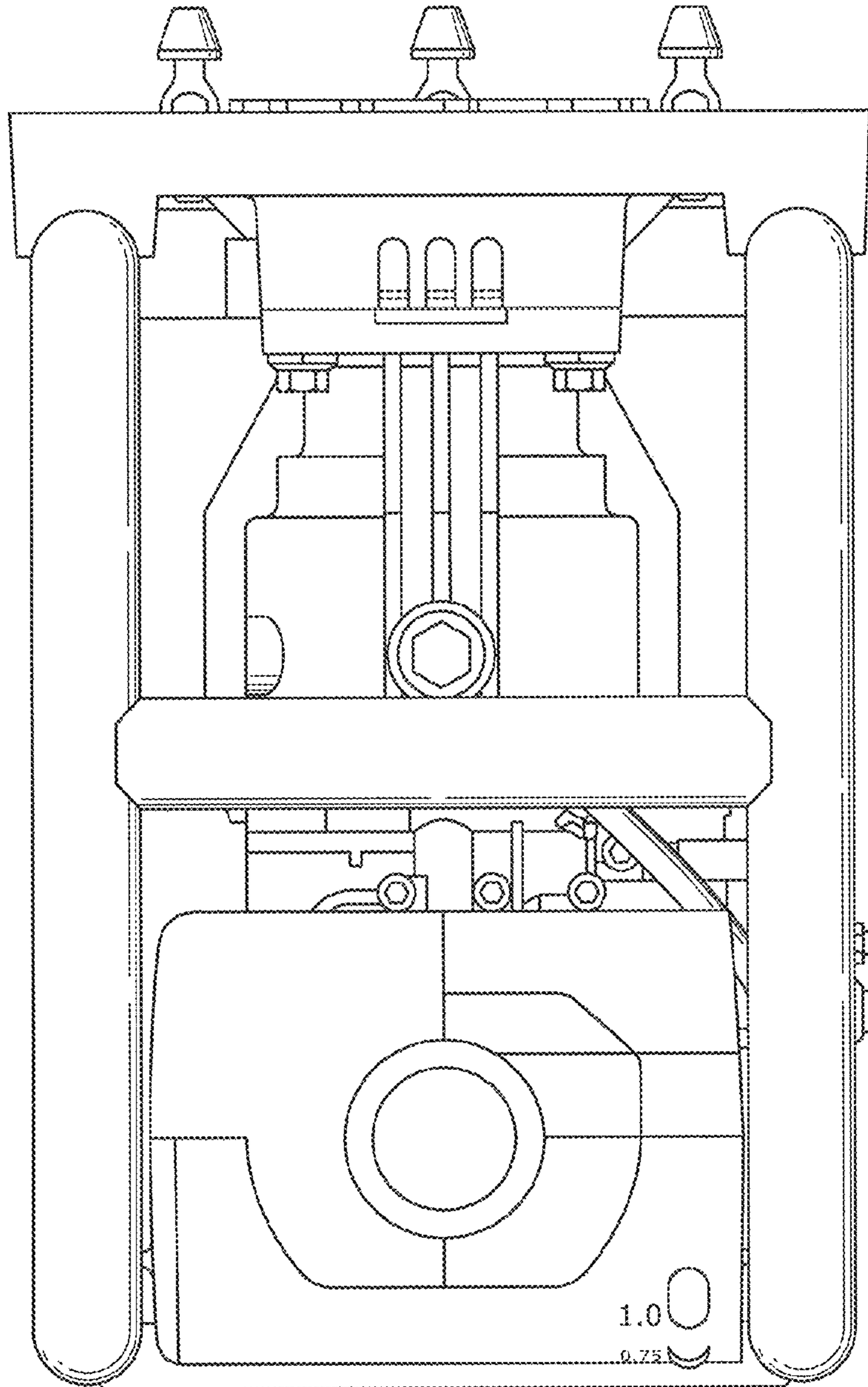


Fig. 6

FIG. 7

