



US00D683916S

(12) **United States Design Patent**
So

(10) **Patent No.:** **US D683,916 S**
(45) **Date of Patent:** **** Jun. 4, 2013**

(54) **TRANSMITTER FOR AN ANIMAL TRAINING DEVICE**

(76) Inventor: **Min Jae So, Seoul (KR)**

(**) Term: **14 Years**

(21) Appl. No.: **29/394,545**

(22) Filed: **Jun. 17, 2011**

(51) **LOC (9) Cl.** **30-99**

(52) **U.S. Cl.**
USPC **D30/199**

(58) **Field of Classification Search**
USPC D10/104.1; D30/144, 151, 152, 199;
119/712, 718, 719, 720, 721; 340/573.1,
340/573.3

See application file for complete search history.

(56) **References Cited**

U.S. PATENT DOCUMENTS

4,335,682	A *	6/1982	Gonda et al.	119/719
5,054,428	A *	10/1991	Farkus	119/720
5,605,116	A *	2/1997	Kim et al.	119/720
5,815,077	A *	9/1998	Christiansen	340/573.3
6,019,066	A *	2/2000	Taylor	119/720
6,167,843	B1 *	1/2001	Kim	119/720
D439,708	S *	3/2001	Jenkins	D30/152
D451,836	S *	12/2001	Fleetwood et al.	D30/199
D462,916	S *	9/2002	Fleetwood et al.	D10/104.1
6,474,269	B2 *	11/2002	So	119/720
6,598,563	B2 *	7/2003	Kim et al.	119/720

D482,630	S *	11/2003	So	D30/199
6,860,240	B2 *	3/2005	Kim et al.	119/719
7,187,291	B2 *	3/2007	Crist et al.	340/573.3
RE39,931	E *	12/2007	So	119/719
7,607,406	B2 *	10/2009	So	119/719
2008/0036610	A1 *	2/2008	Hokuf et al.	340/573.3
2008/0190378	A1 *	8/2008	Tracy	119/720

* cited by examiner

Primary Examiner — Caron D Veynar

Assistant Examiner — Martie K Holtje

(74) *Attorney, Agent, or Firm* — John K. Park; Park Law Firm

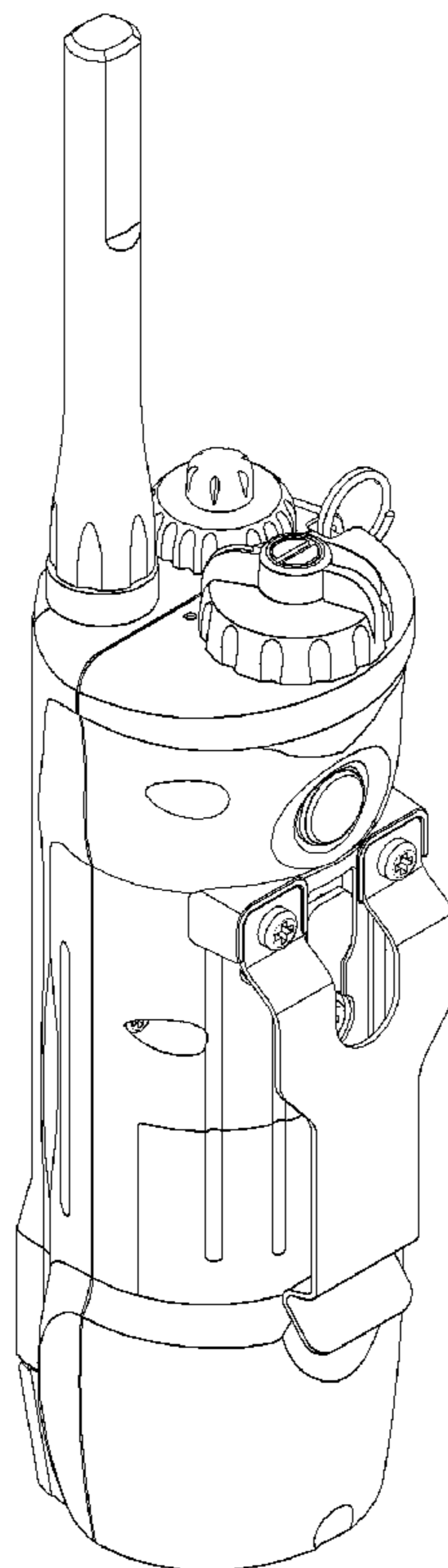
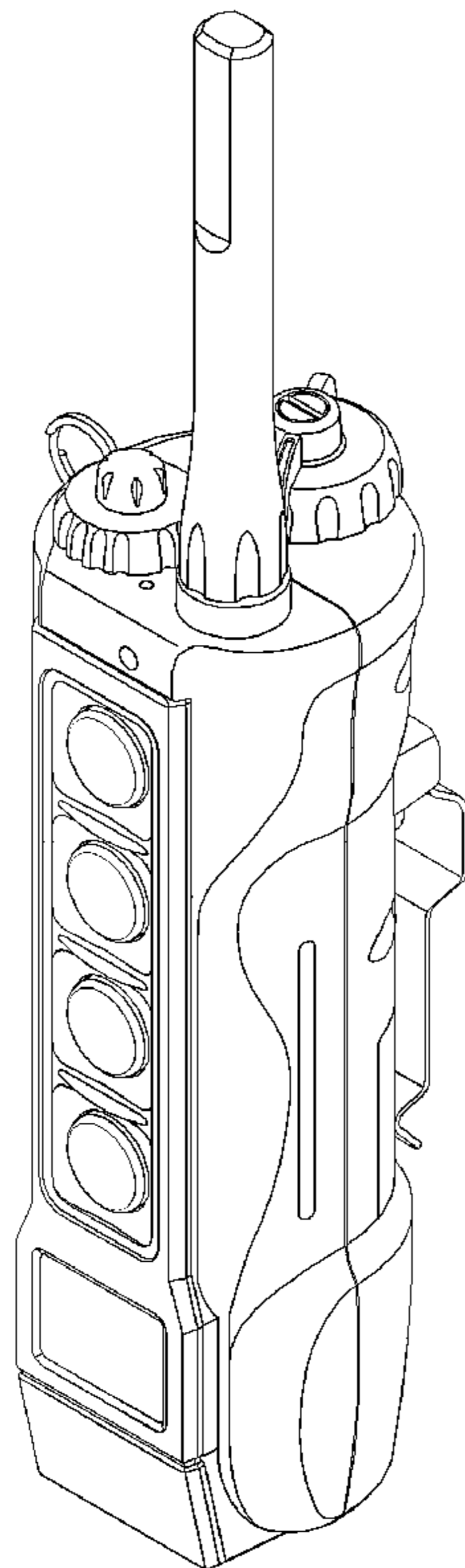
(57) **CLAIM**

The ornamental design for a transmitter for an animal training device, as shown and described.

DESCRIPTION

FIG. 1 is a perspective view of a transmitter for an animal training device showing our new design; FIG. 2 is a front elevational view thereof; FIG. 3 is a rear elevational view thereof; FIG. 4 is a left side elevational view thereof; FIG. 5 is a right side elevational view thereof; FIG. 6 is a top plan view thereof; FIG. 7 is a bottom plan view thereof; and, FIG. 8 is a rear perspective view thereof.

1 Claim, 8 Drawing Sheets



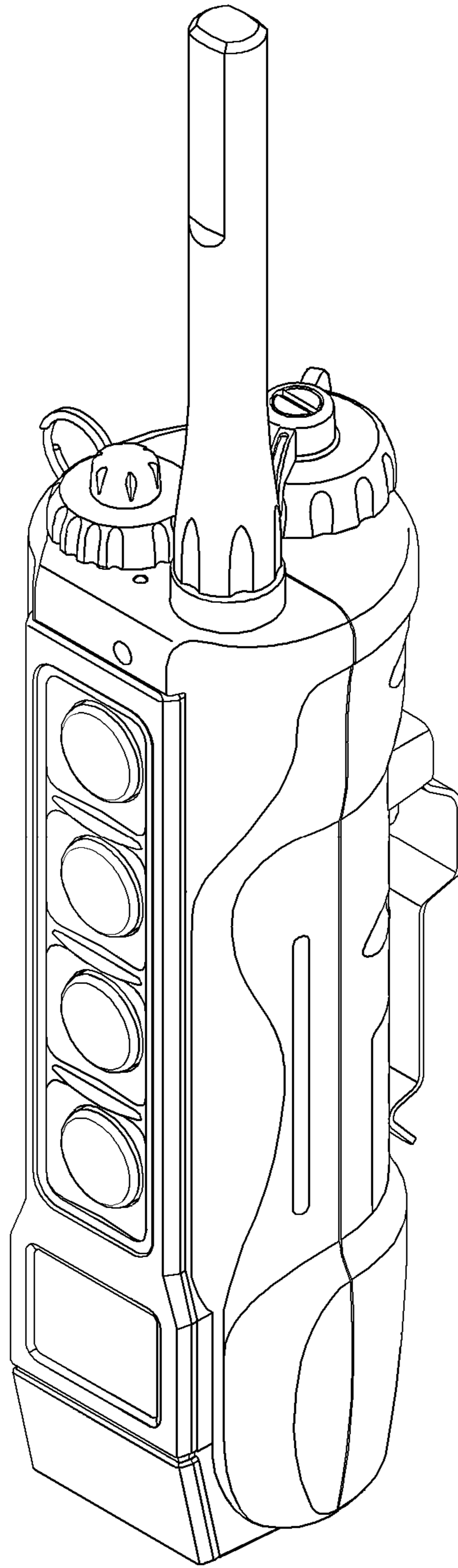


FIG. 1

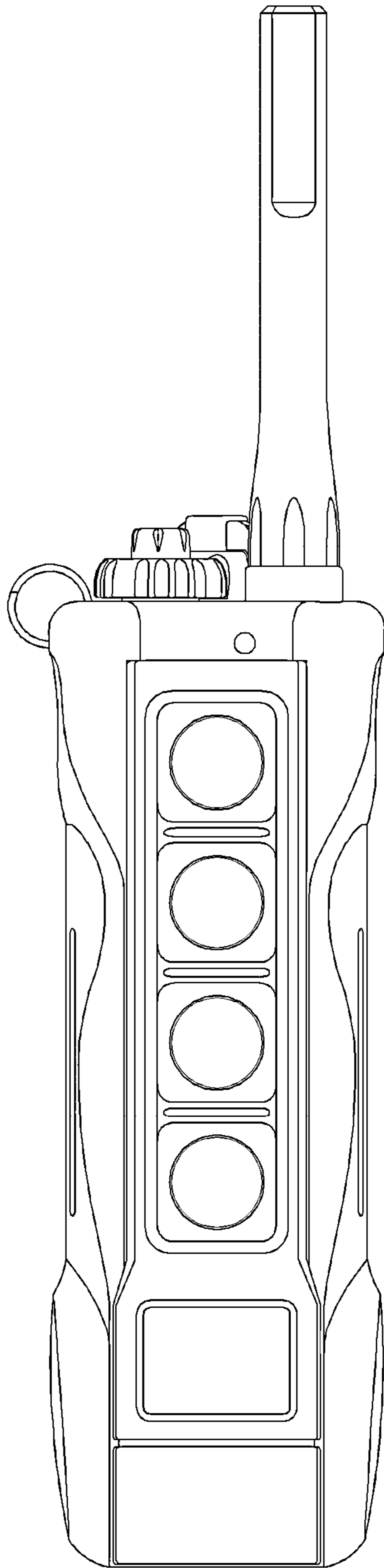


FIG. 2

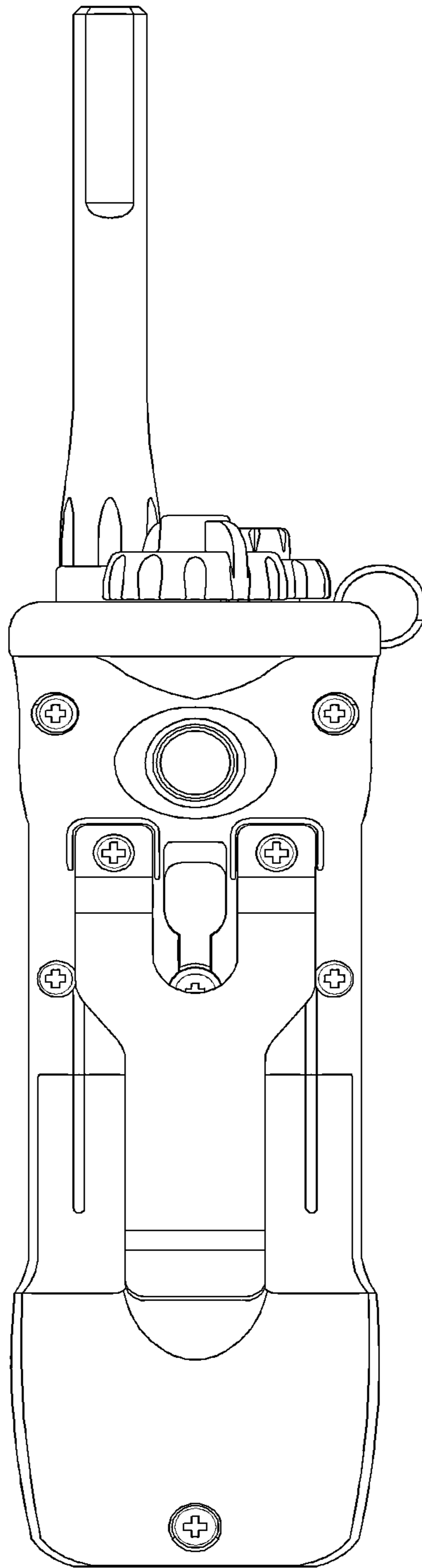


FIG. 3

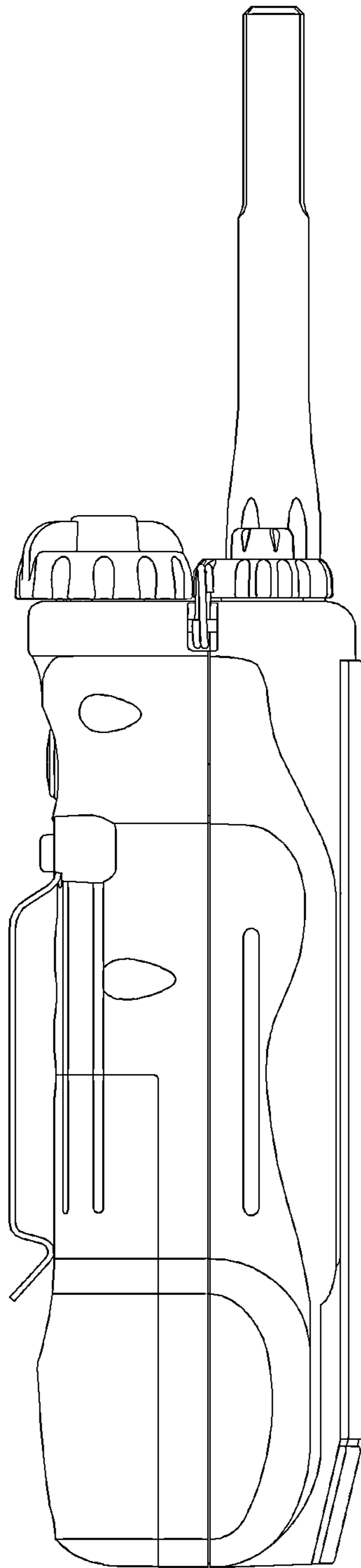


FIG. 4

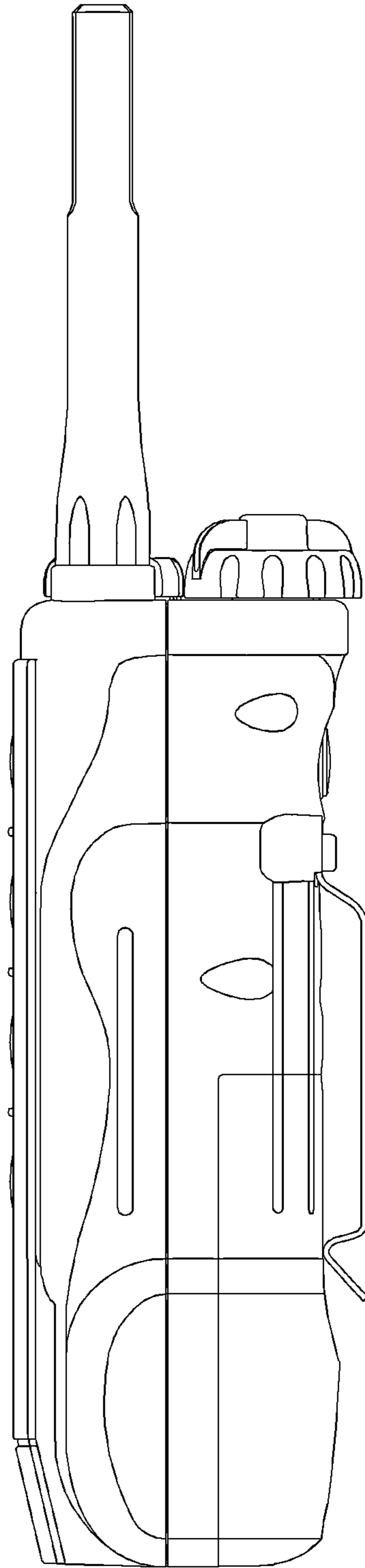


FIG.5

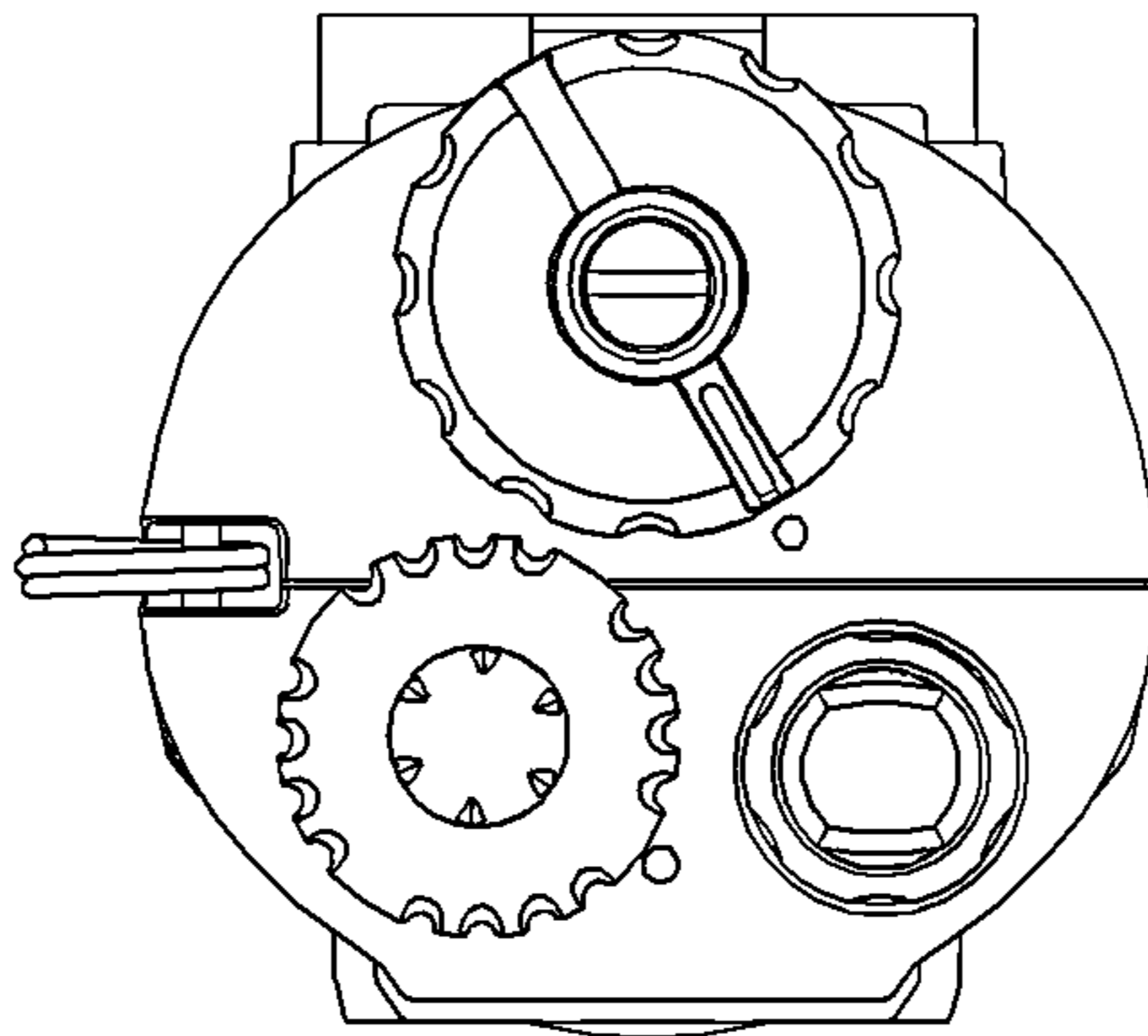


FIG.6

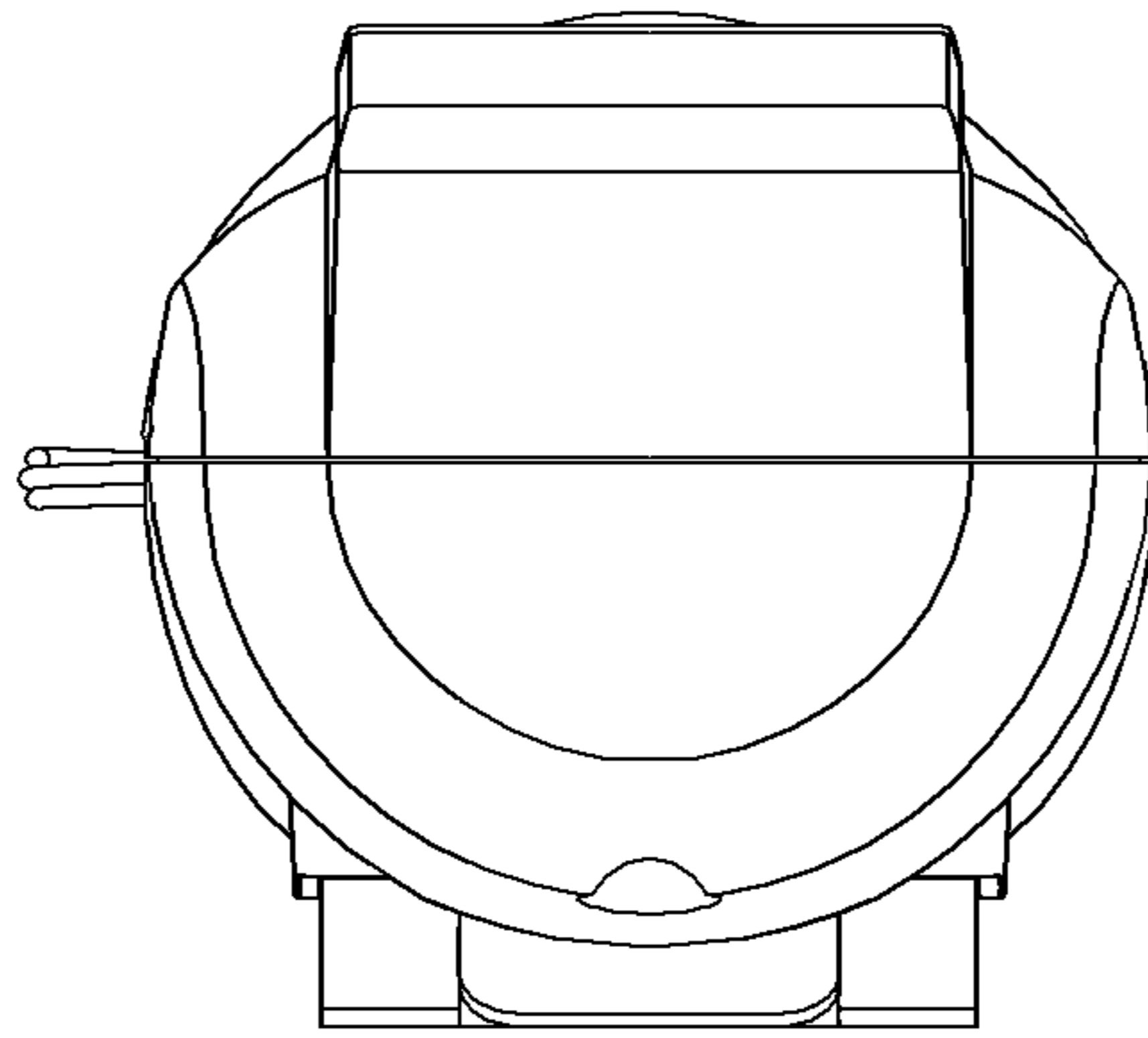


FIG.7

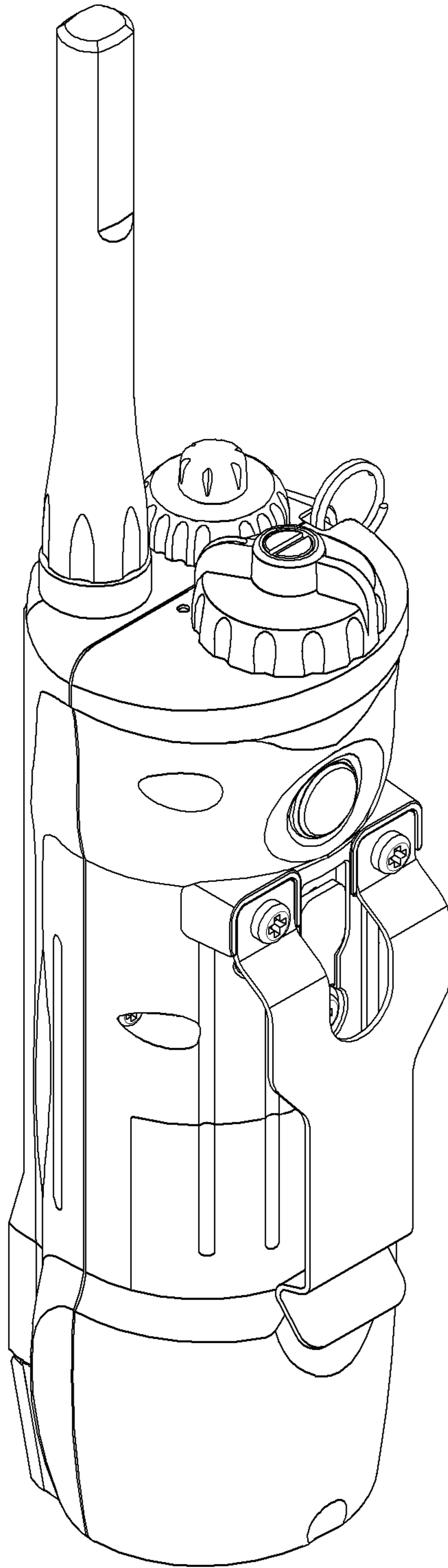


FIG. 8