



US00D683915S

(12) **United States Design Patent**  
**So**

(10) **Patent No.:** **US D683,915 S**  
(45) **Date of Patent:** **\*\* Jun. 4, 2013**

(54) **ANIMAL TRAINING RECEIVER**

(76) Inventor: **Min Jae So, Seoul (KR)**

(\*\*) Term: **14 Years**

(21) Appl. No.: **29/394,540**

(22) Filed: **Jun. 17, 2011**

(51) **LOC (9) Cl.** ..... **30-99**

(52) **U.S. Cl.**  
USPC ..... **D30/199; D30/152**

(58) **Field of Classification Search**  
USPC ..... D10/104.1; D30/144, 151, 152, 199;  
119/712, 718, 719, 720, 721; 340/573.1,  
340/573.3; 174/176, 188

See application file for complete search history.

(56) **References Cited**

**U.S. PATENT DOCUMENTS**

5,617,814	A *	4/1997	Bianco et al.	119/720
D410,206	S *	5/1999	Slater	D10/104.1
6,474,269	B2 *	11/2002	So	119/720
D469,029	S *	1/2003	So	D10/104.1
D473,481	S *	4/2003	So	D10/104.1
D478,831	S *	8/2003	So	D10/104.1
D482,979	S *	12/2003	So	D10/104.1
6,907,844	B1 *	6/2005	Crist et al.	119/718
D520,894	S *	5/2006	Zakharyan	D30/199
D523,998	S *	6/2006	Nottingham et al.	D30/152
D553,037	S *	10/2007	Zakharyan et al.	D30/199
D557,158	S *	12/2007	So et al.	D30/199

7,607,406	B2 *	10/2009	So	119/719
2002/0139565	A1 *	10/2002	Bradford	174/188
2010/0154721	A1 *	6/2010	Gerig et al.	119/719

\* cited by examiner

*Primary Examiner* — Caron D Veynar

*Assistant Examiner* — Martie K Holtje

(74) *Attorney, Agent, or Firm* — John K. Park; Park Law Firm

(57) **CLAIM**

The ornamental design for a animal training receiver, as shown and described.

**DESCRIPTION**

FIG. 1 is a perspective view of a animal training receiver showing our new design;

FIG. 2 is a front elevational view thereof;

FIG. 3 is a rear elevational view thereof;

FIG. 4 is a left side elevational view thereof;

FIG. 5 is a right side elevational view thereof;

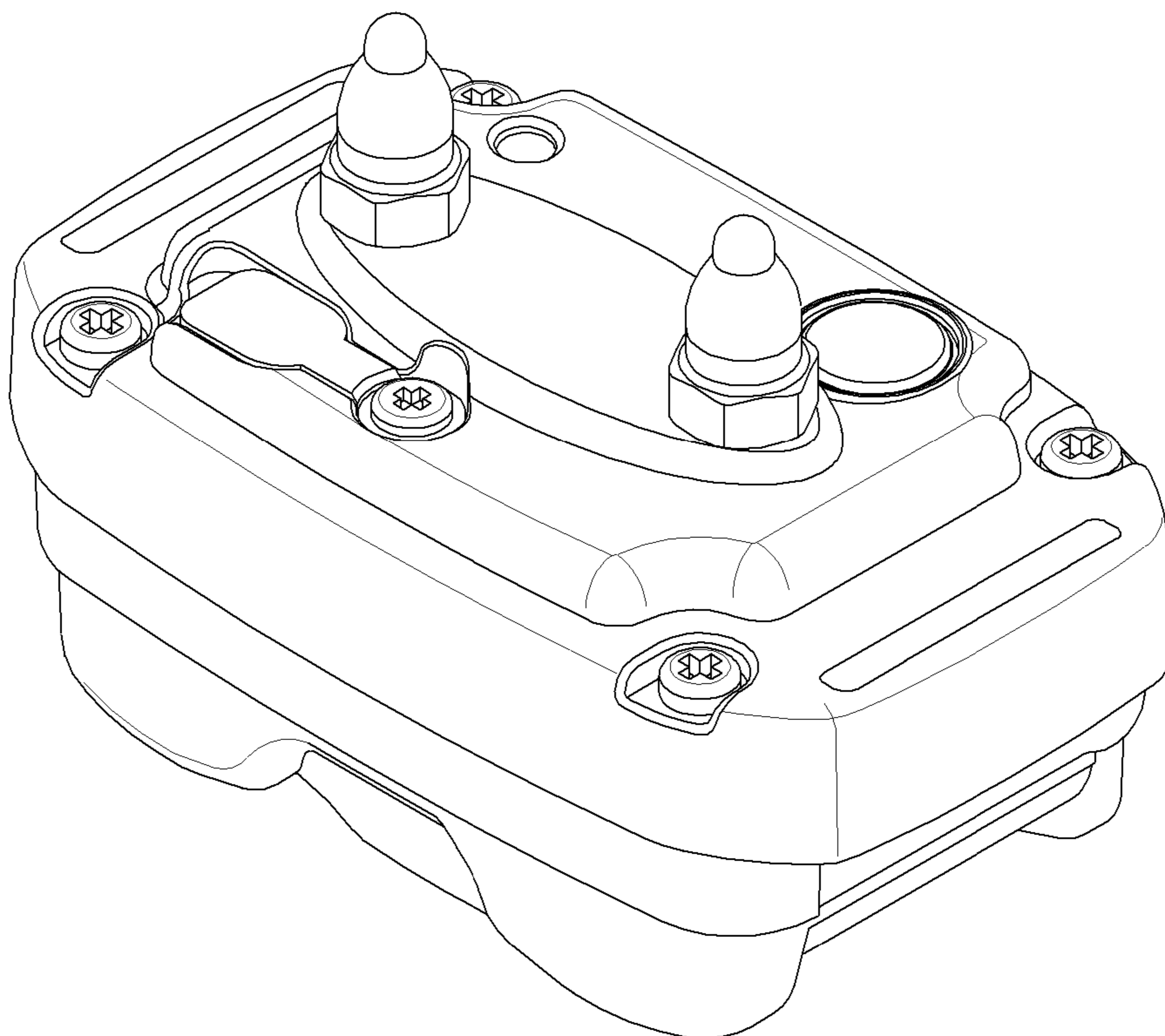
FIG. 6 is a top plan view thereof;

FIG. 7 is a bottom plan view thereof; and,

FIG. 8 is a front perspective view of the animal train training device of FIG. 1.

The broken line depiction of the strap in FIG. 8 has been shown for the purpose of illustrating environment and forms no part of the claimed design.

**1 Claim, 8 Drawing Sheets**



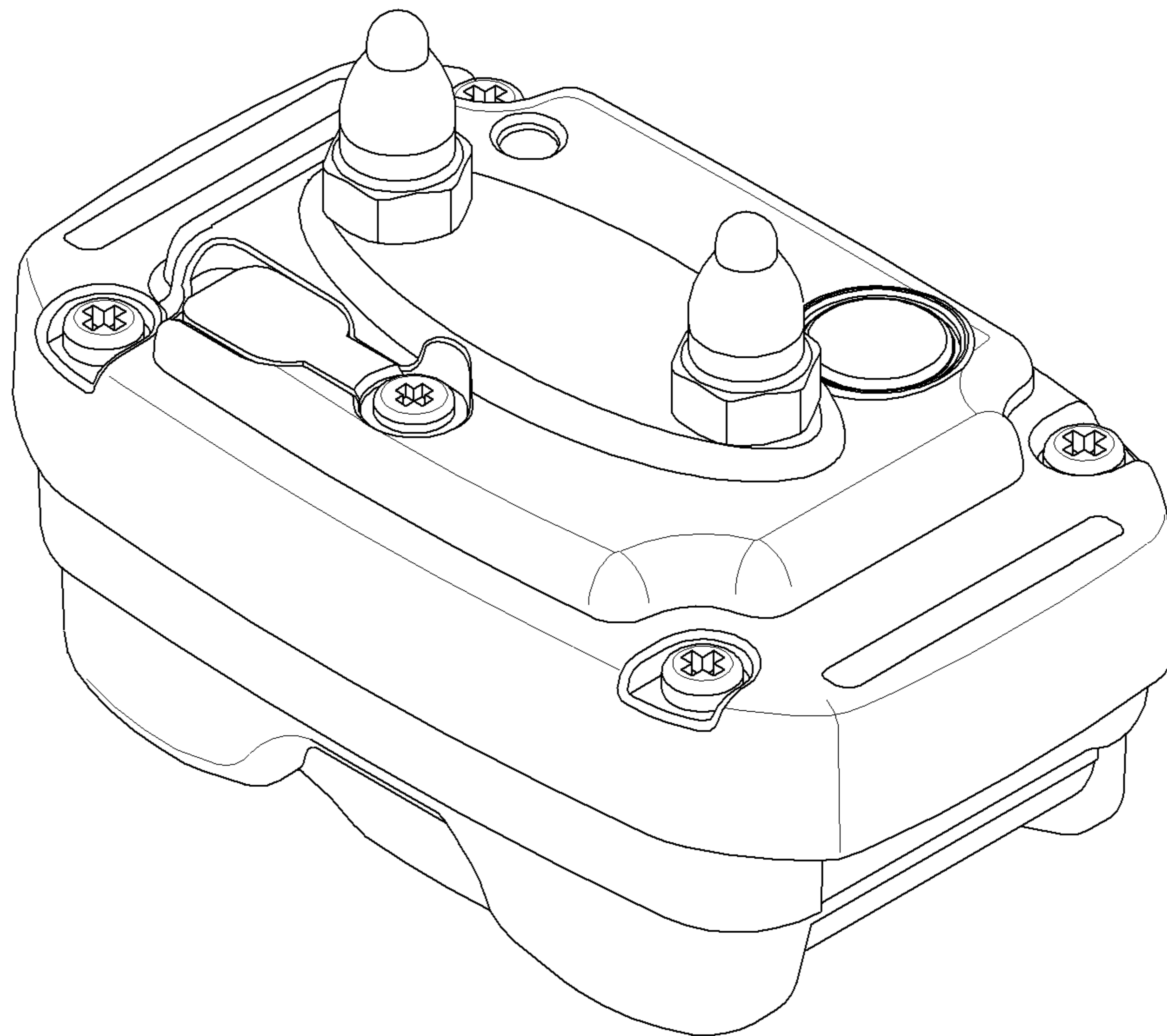


FIG. 1

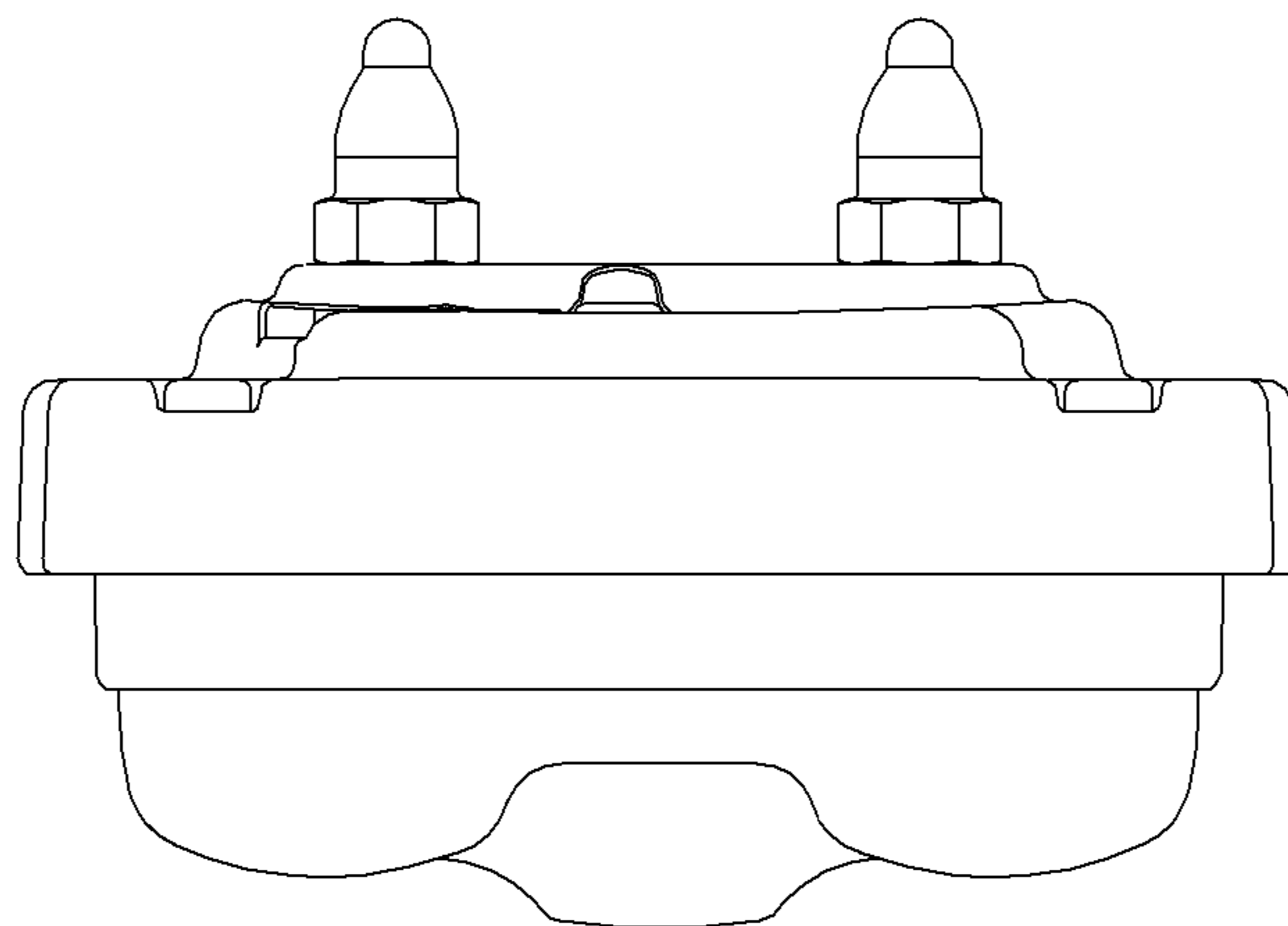


FIG.2

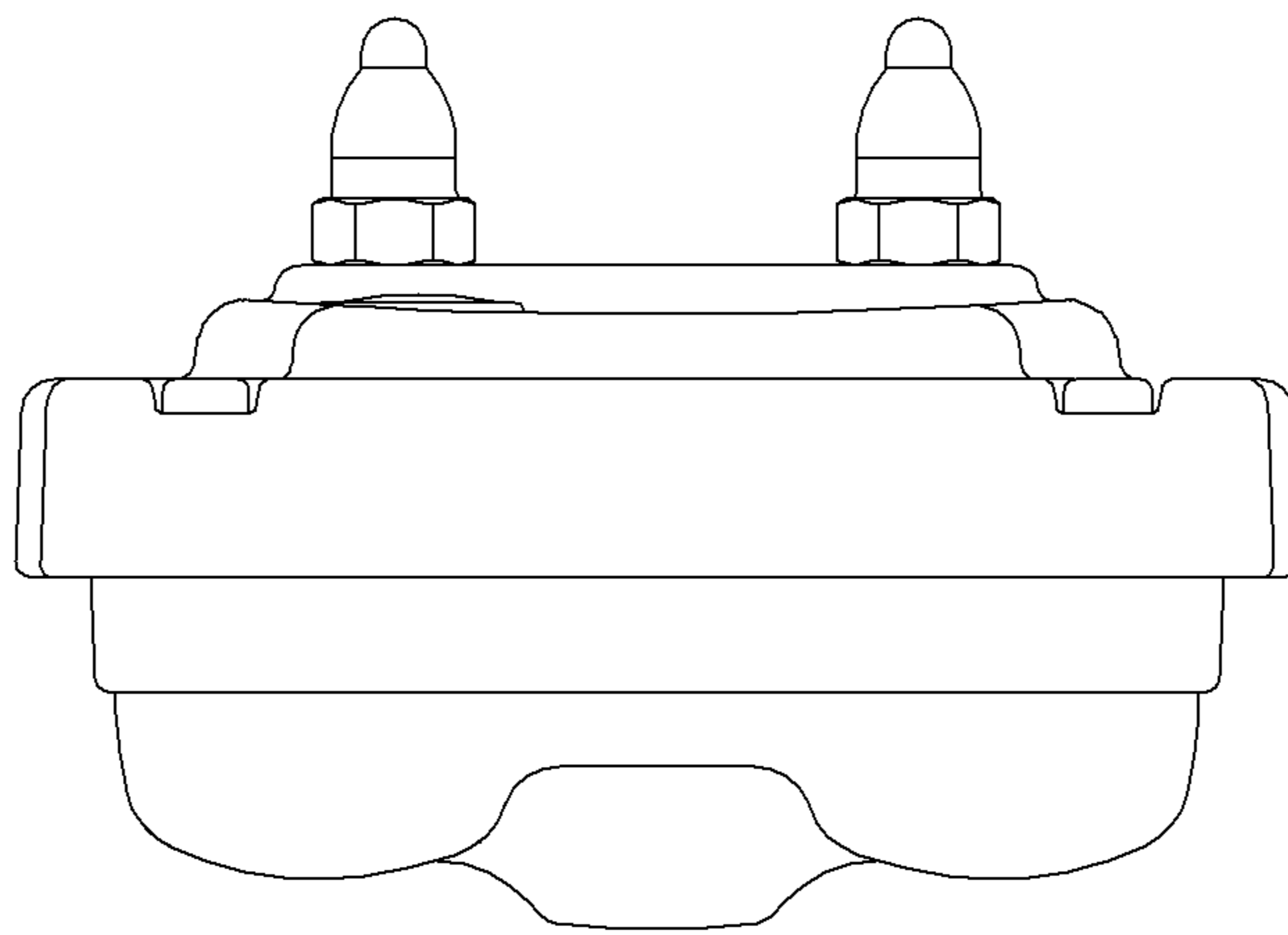


FIG.3

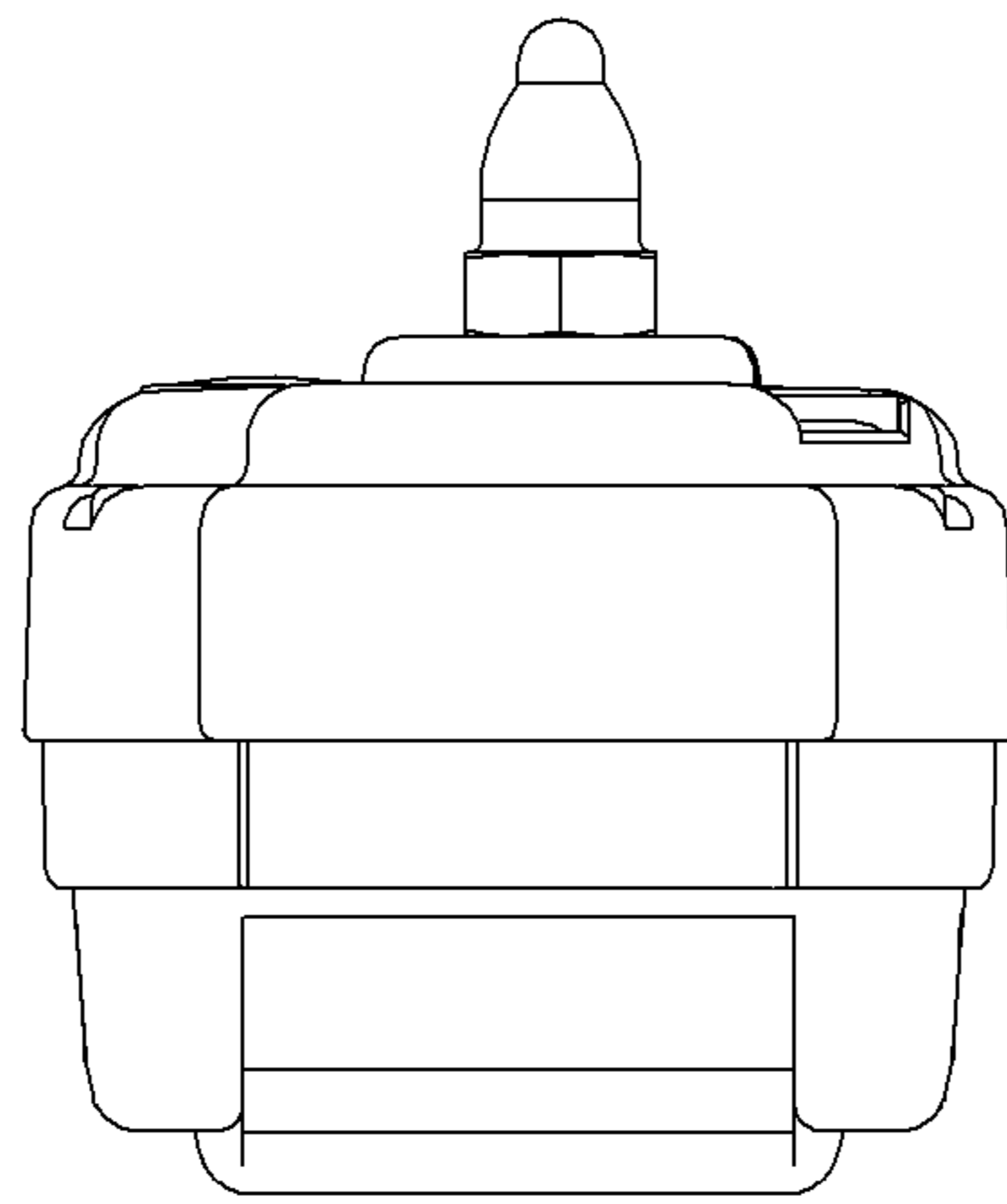


FIG.4

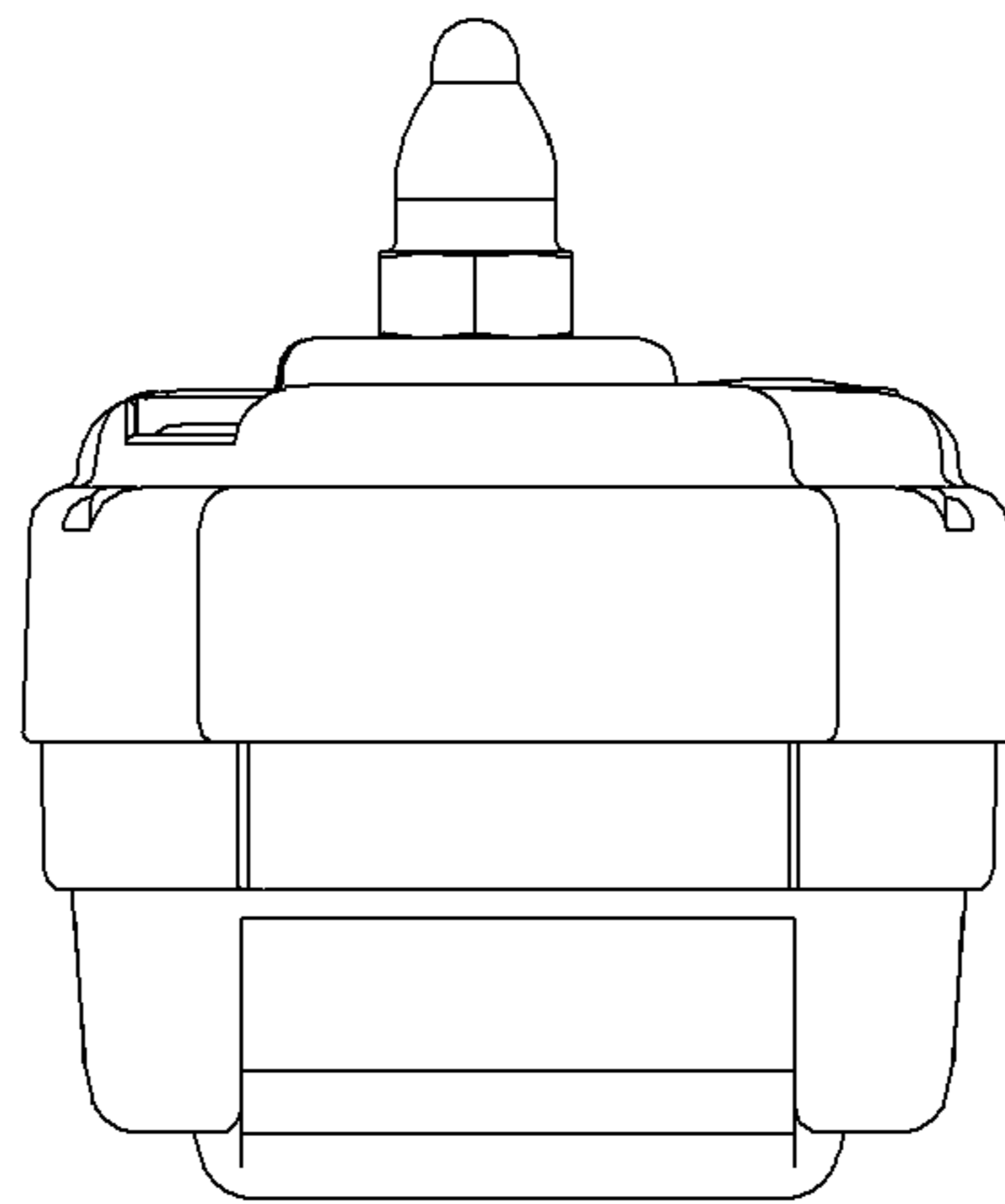


FIG. 5

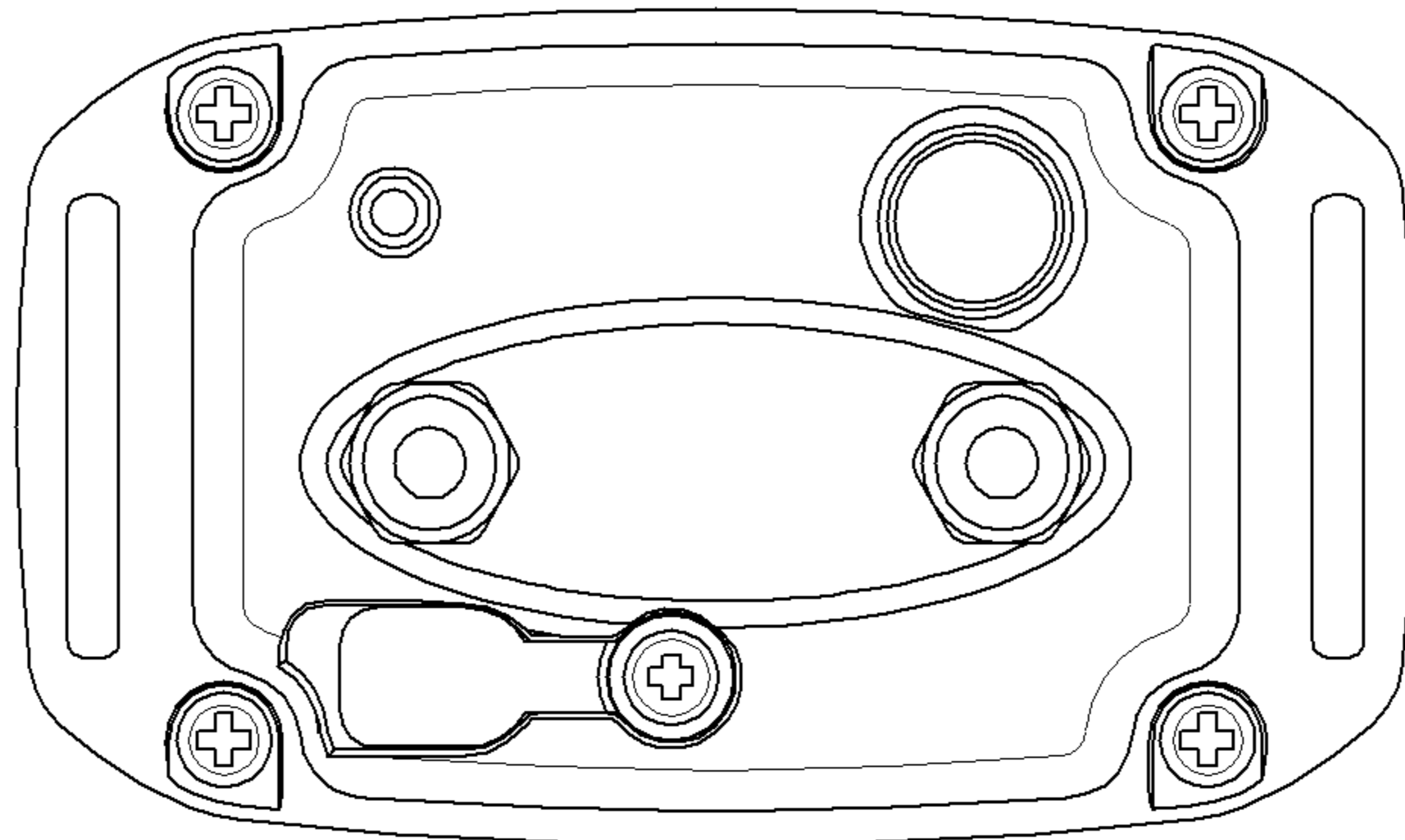


FIG.6

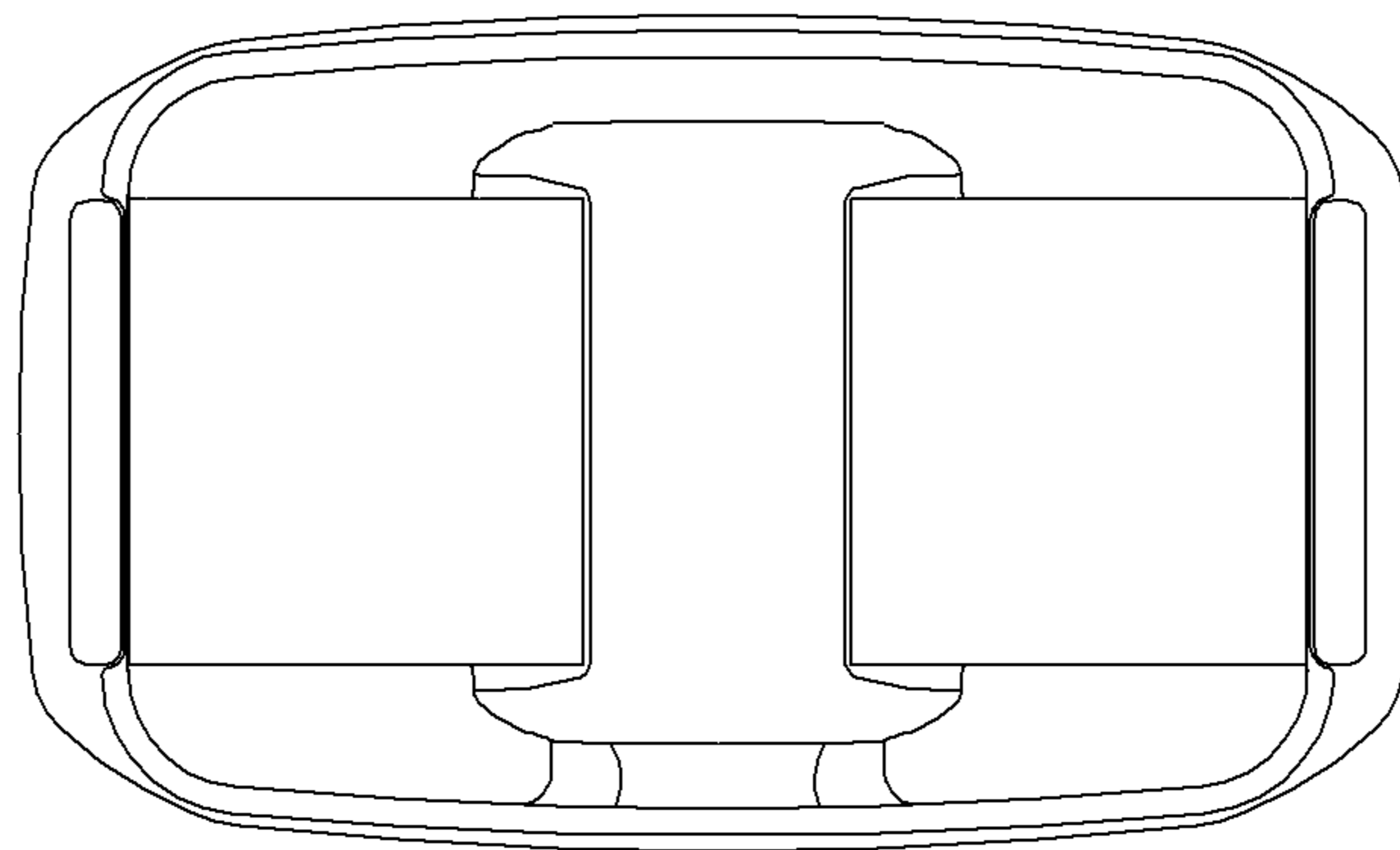


FIG. 7



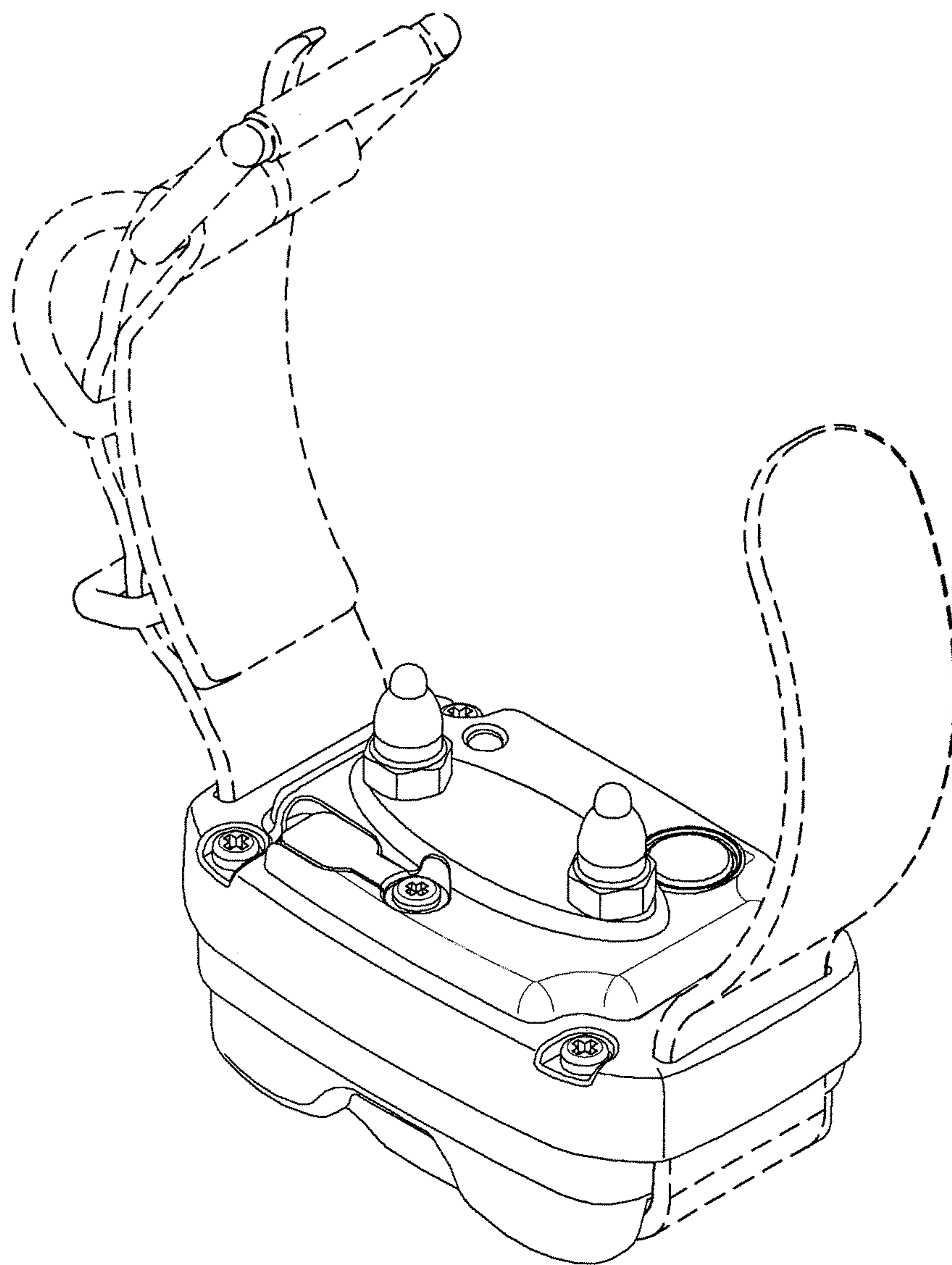


FIG. 8