



US00D683914S

(12) **United States Design Patent**  
**Jones et al.**

(10) **Patent No.:** **US D683,914 S**  
(45) **Date of Patent:** **\*\* Jun. 4, 2013**

(54) **DOG FOOD REMINDER**

(76) Inventors: **Caroline Jones**, N. Kingstown, RI (US);  
**Scot Jones**, N. Kingstown, RI (US)

(\*\*) **Term:** **14 Years**

(21) **Appl. No.:** **29/373,472**

(22) **Filed:** **Jun. 24, 2011**

**Related U.S. Application Data**

(63) Continuation-in-part of application No. 29/312,115,  
filed on Sep. 29, 2008, now abandoned.

(51) **LOC (9) Cl.** ..... **30-99**

(52) **U.S. Cl.**  
USPC ..... **D30/199**; D30/121

(58) **Field of Classification Search**  
USPC ..... D3/203.3, 203.4, 203.2, 201, 205,  
D3/294, 206; D24/226; D30/121, 122, 129,  
D30/130, 131, 133, 199; 206/530-539, 564,  
206/232, 216, 459.1, 459.5; D9/757; 220/523,  
220/524, 532, 23.83, 528; 116/67 R, 307;  
708/105; 211/74, 128.1; 40/110, 107, 119;  
283/900; 119/51.01, 51.11, 51.15, 53-54,  
119/61.5, 61.54, 61.55, 61.56, 61.57, 72  
See application file for complete search history.

(56) **References Cited**

**U.S. PATENT DOCUMENTS**

2,115,021	A *	4/1938	Bernard	.....	229/120.36
D134,403	S *	11/1942	Sutton	.....	D10/62
D137,945	S *	5/1944	Geller et al.	.....	D6/301
3,278,010	A *	10/1966	Katz	.....	206/534
3,300,055	A *	1/1967	Rohr	.....	211/74
D226,322	S *	2/1973	Wills	.....	D10/3
D227,551	S *	7/1973	Crutchfield	.....	D9/740
D239,806	S *	5/1976	Bressickello	.....	D6/468
D251,645	S *	4/1979	Kelly	.....	D6/468

D252,072	S *	6/1979	Bridges	.....	D3/203.3
D253,933	S *	1/1980	Bridges	.....	D3/203.3
4,187,948	A *	2/1980	Perrella	.....	211/85.17
D264,810	S *	6/1982	Voltmann	.....	D3/203.3
D269,145	S *	5/1983	Druiz et al.	.....	D6/468
D295,704	S *	5/1988	Despres	.....	D6/469
4,749,085	A *	6/1988	Denney	.....	206/534
4,889,237	A *	12/1989	Brandon	.....	206/534
4,890,741	A *	1/1990	Edelstein	.....	206/534
4,905,388	A *	3/1990	Sinkow	.....	40/110
D310,848	S *	9/1990	Perbix	.....	D20/18
D312,394	S *	11/1990	Hassey	.....	D9/732
4,976,351	A *	12/1990	Mangini et al.	.....	206/232
5,029,726	A *	7/1991	Pendill	.....	221/69
D324,819	S *	3/1992	Eisenberg	.....	D3/203.3
D336,181	S *	6/1993	Muniz	.....	D6/467
D337,046	S *	7/1993	Fuller et al.	.....	D9/732
D343,118	S *	1/1994	Melnik	.....	D3/203.3
D343,859	S *	2/1994	Fisher	.....	D19/20
D350,478	S *	9/1994	Fuller et al.	.....	D3/203.3

(Continued)

*Primary Examiner* — Susan Moon Lee

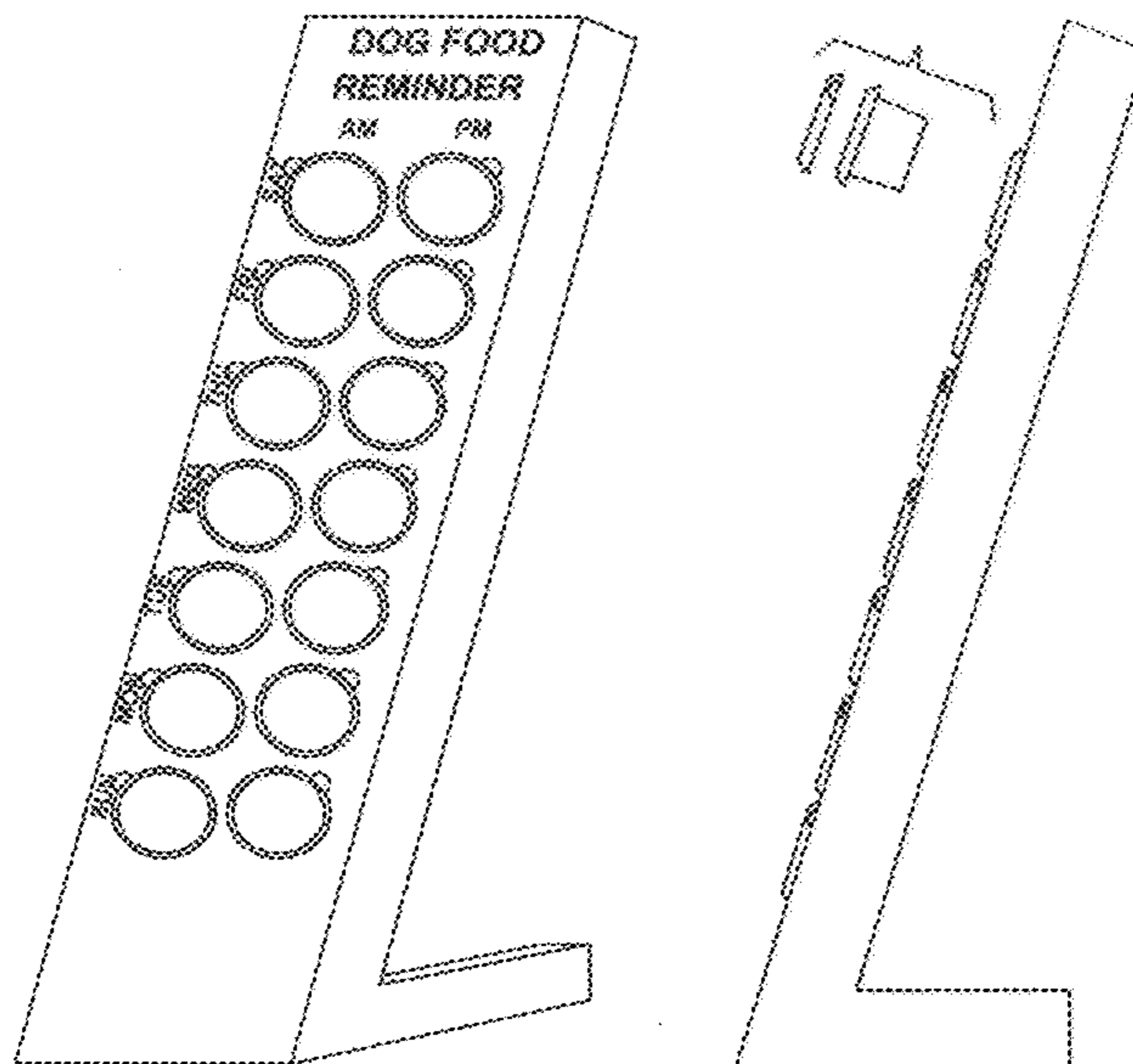
(57) **CLAIM**

We claim the ornamental design for a dog food reminder, as shown and described.

**DESCRIPTION**

FIG. 1 is a front perspective view of a dog food reminder;  
FIG. 2 is a Front View of a dog food reminder;  
FIG. 3 is an Exploded Front View thereof showing a removed container;  
FIG. 4 is an Exploded Right Side View thereof showing a removed container;  
FIG. 5 is a Rear View thereof; and,  
FIG. 6 is an exploded perspective view of the container component of the dog food reminder, shown separately for clarity. The left side view is a mirror image of the right side view of the dog food reminder.

**1 Claim, 6 Drawing Sheets**





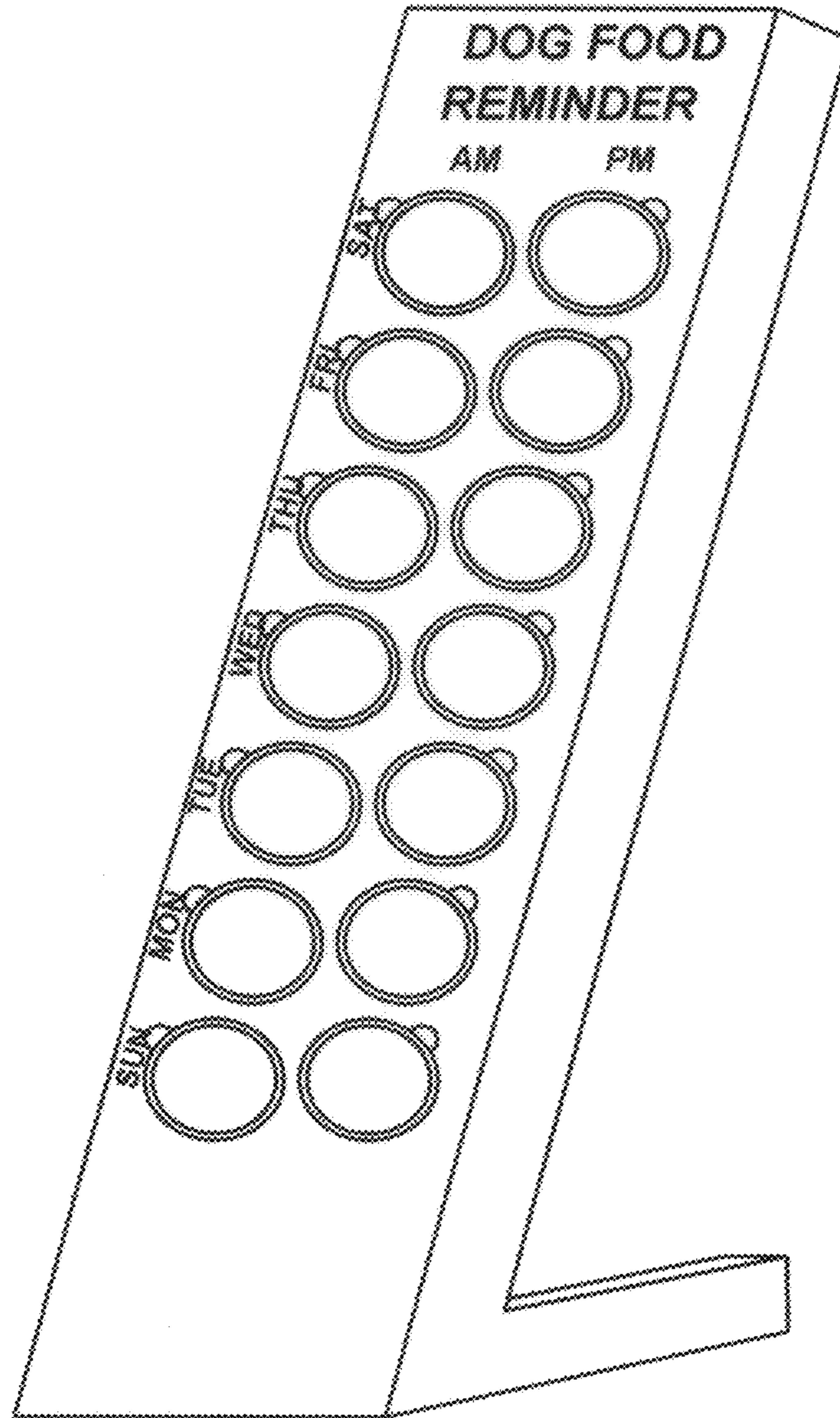


Fig 1



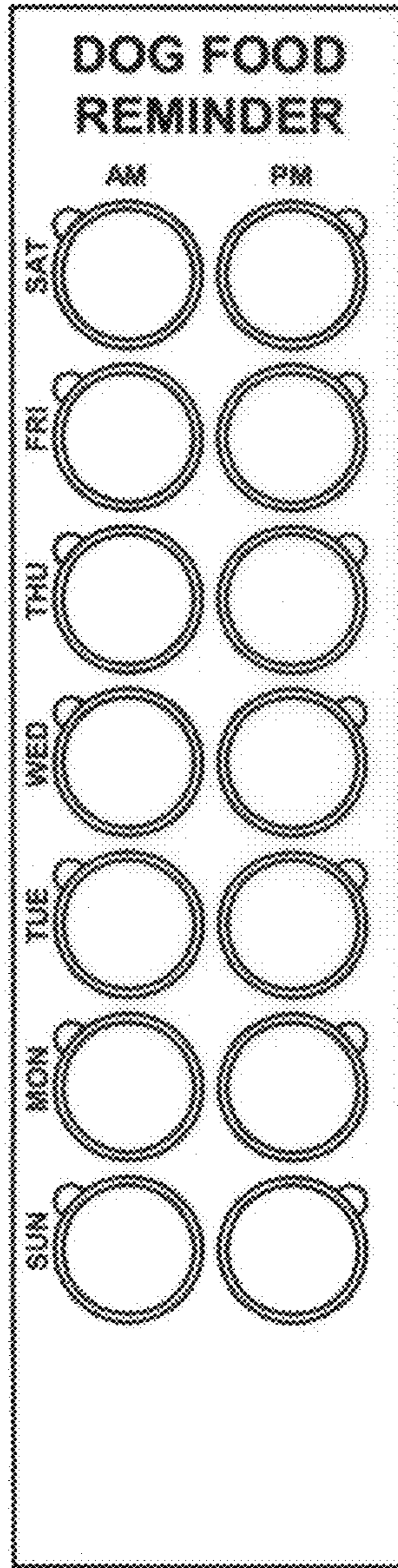


Fig 2

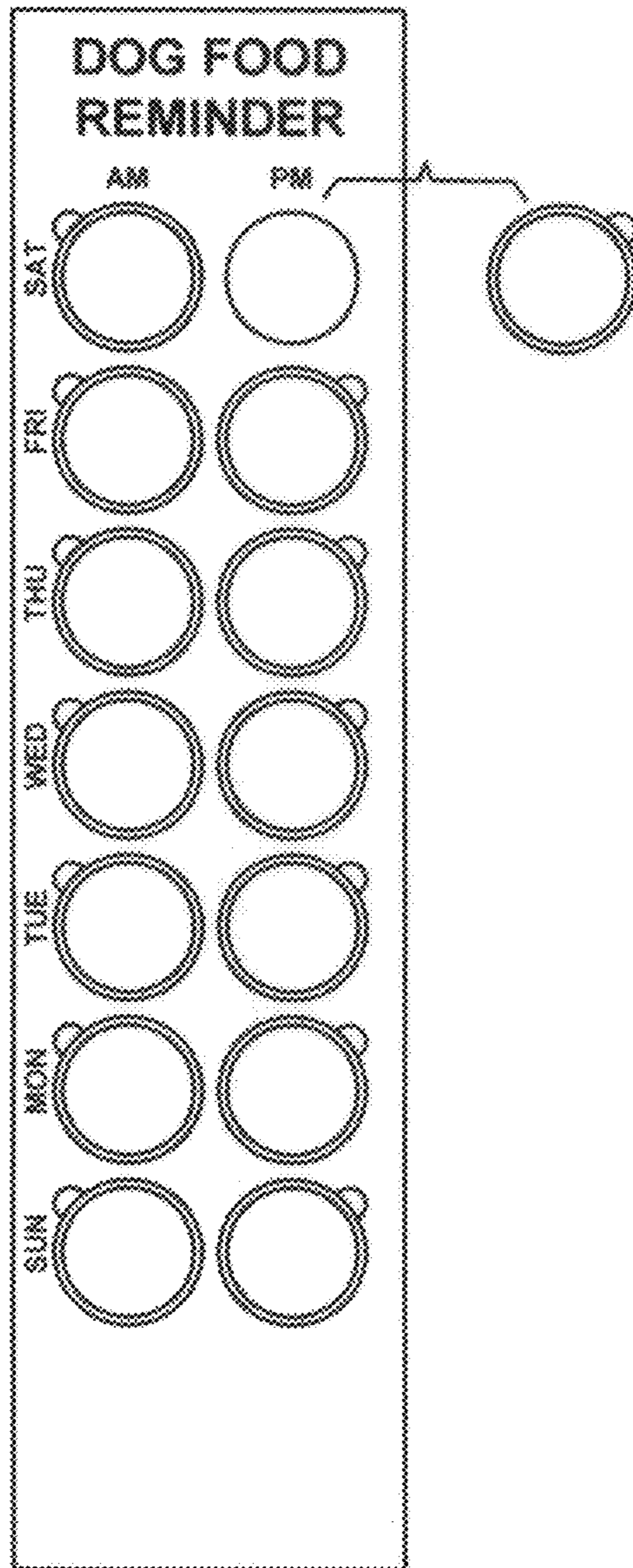


Fig 3

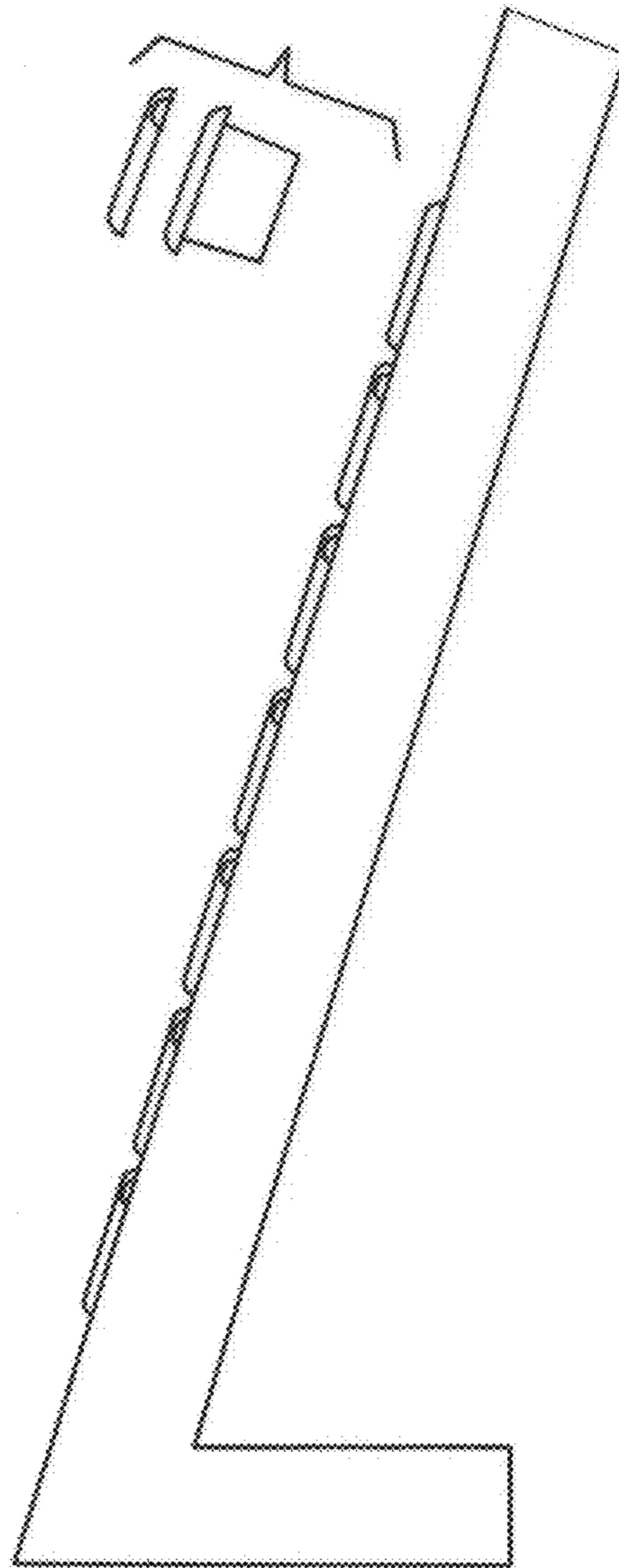


Fig 4

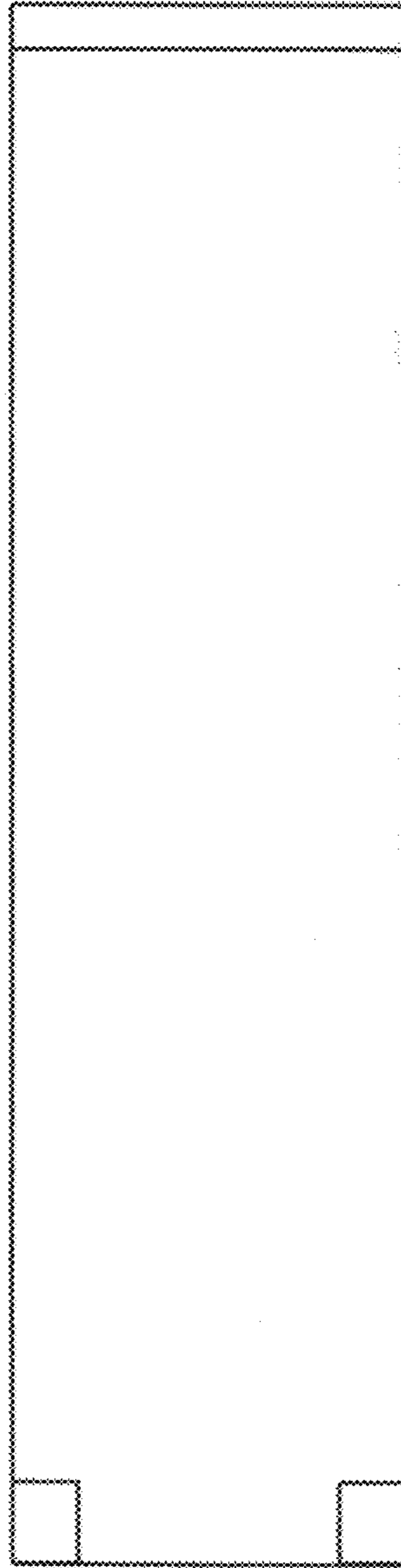
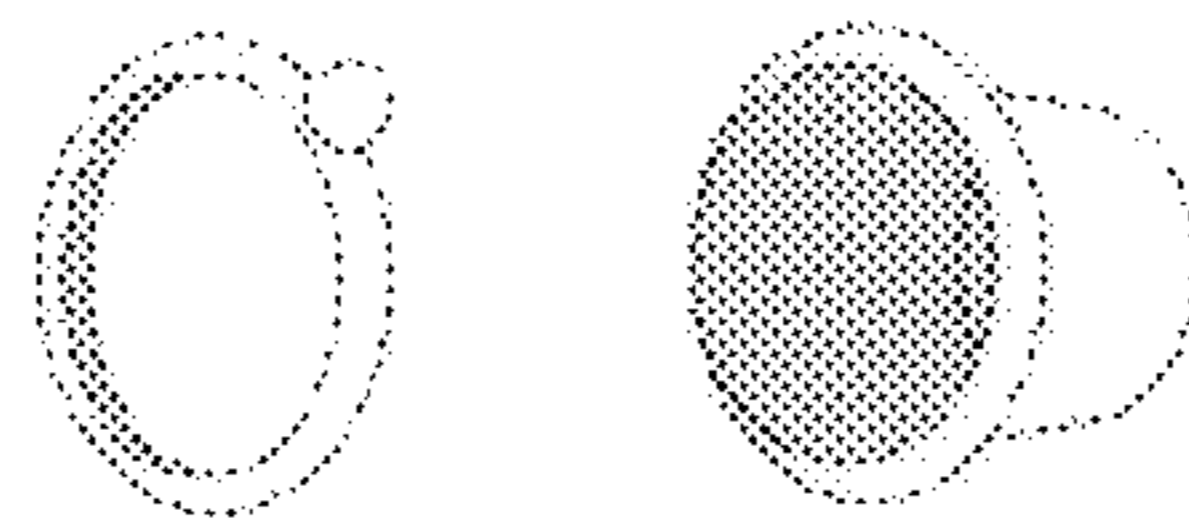


Fig 5



**Fig 6**