



US00D683909S

(12) **United States Design Patent**
Muhr et al.

(10) **Patent No.:** **US D683,909 S**
(45) **Date of Patent:** **** Jun. 4, 2013**

(54) **HUMMINGBIRD FEEDER**
(75) Inventors: **Jason Muhr**, Warrenville, IL (US);
Brian Povich, South Elgin, IL (US)
(73) Assignee: **Central Garden & Pet Company**,
Walnut Creek, CA (US)

2,998,896 A 9/1961 Miller
D194,846 S * 3/1963 Parry D30/125
D195,628 S 7/1963 Andreae

(Continued)

FOREIGN PATENT DOCUMENTS

GB 2 268 869 1/1994

OTHER PUBLICATIONS

U.S. Appl. No. 29/422,227, filed May 17, 2012.
U.S. Appl. No. 13/474,308, filed May 17, 2012.

(Continued)

(**) **Term:** **14 Years**

(21) **Appl. No.:** **29/428,992**

(22) **Filed:** **Aug. 6, 2012**

(51) **LOC (9) Cl.** **30-03**

(52) **U.S. Cl.**
USPC **D30/124; D30/127**

(58) **Field of Classification Search**
USPC D30/121, 124, 126–129, 133, 199,
D30/110–112, 123, 125; 119/52.2, 51.5,
119/61.5, 57.8, 57.9, 52.3, 61.1, 531, 63,
119/428–435, 52.4, 55, 61.3, 69.5, 75, 76;
47/67, 83; 248/318; D11/164, 152; 211/128.1;
D27/123; D6/495, 460, 461, 476, 405

See application file for complete search history.

Primary Examiner — Susan M Lee

(74) *Attorney, Agent, or Firm* — Womble Carlyle Sandridge
& Rice, LLP

(57) **CLAIM**

We claim the ornamental design for a hummingbird feeder, as shown and described.

DESCRIPTION

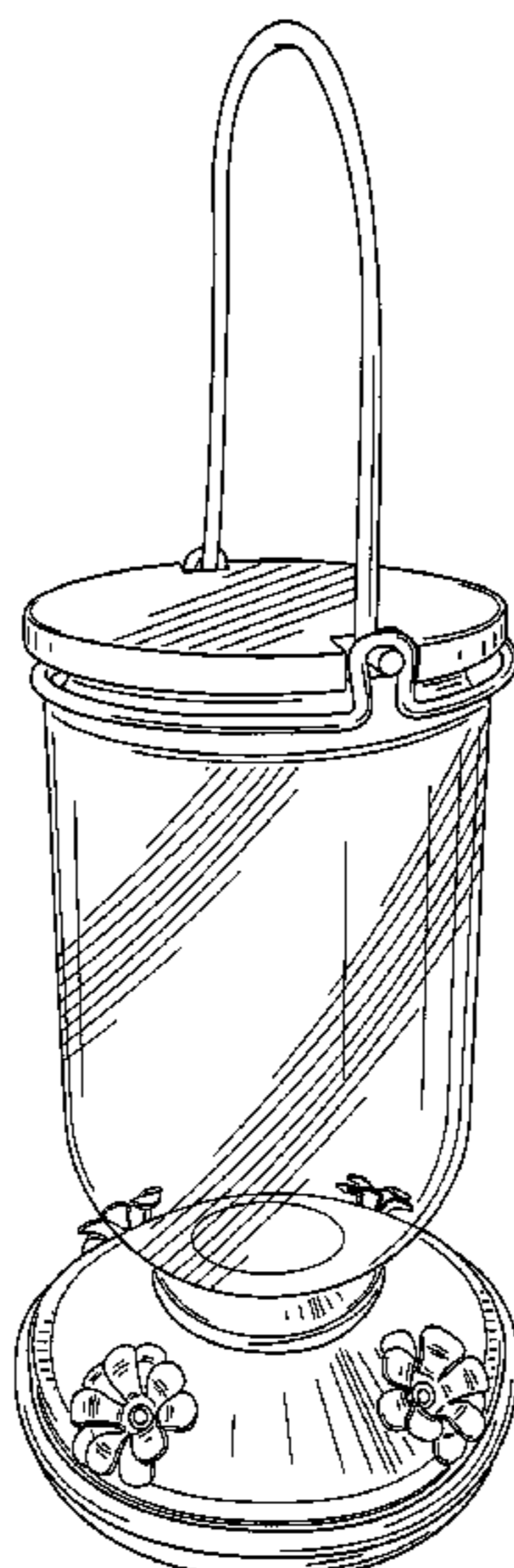
FIG. 1 is a perspective view of a hummingbird feeder in accordance with the present invention, wherein a perspective view from the opposite side is substantially a mirror image of FIG. 1;
FIG. 2 is a front elevation view of the hummingbird feeder of FIG. 1;
FIG. 3 is a rear elevation view of the hummingbird feeder of FIG. 1;
FIG. 4 is a right elevation view of the hummingbird feeder of FIG. 1;
FIG. 5 is a left elevation view of the hummingbird feeder of FIG. 1;
FIG. 6 is a top plan view of the hummingbird feeder of FIG. 1; and,
FIG. 7 is a bottom plan view of the hummingbird feeder of FIG. 1.

1 Claim, 6 Drawing Sheets

(56) **References Cited**

U.S. PATENT DOCUMENTS

D10,260 S	9/1877	Hicks
290,135 A	12/1883	Stewart
D21,281 S	1/1892	Roe
D65,098 S	7/1924	Brewster
1,525,561 A	2/1925	Baird
D71,830 S	1/1927	Fields
2,116,699 A	5/1938	Hall
D122,264 S	9/1940	Francine
2,464,665 A	3/1949	Anderson
D164,446 S	9/1951	Poglein
D165,628 S	1/1952	Blazier
2,659,222 A	11/1953	Meier
2,668,993 A	2/1954	Bair
D174,139 S	3/1955	Sadler
2,845,895 A	8/1958	Balkauskas
2,987,041 A	6/1961	Bard



US D683,909 S

U.S. PATENT DOCUMENTS					
3,125,069 A	3/1964	Fowler	D368,337 S	3/1996	Dickinson
3,140,007 A	7/1964	Nettleship	5,503,288 A	4/1996	Conconi
3,244,150 A	4/1966	Blair	D370,313 S	5/1996	Nottingham
D205,772 S	9/1966	Blair	D370,747 S	6/1996	Madigan
3,292,840 A	12/1966	Schmidt	5,533,467 A	7/1996	Lancia
3,301,217 A	1/1967	Prowinsky	5,558,040 A	9/1996	Colwell
3,301,220 A *	1/1967	Queen 119/77	D380,151 S	6/1997	du Grenier et al.
D207,781 S	5/1967	Lowe, Jr.	D382,376 S *	8/1997	Bescherer D30/124
3,399,650 A	9/1968	Goodman	D386,835 S	11/1997	Passamare
3,459,294 A	8/1969	Crosman et al.	D386,836 S	11/1997	Hunt
D216,199 S	12/1969	Brown, Jr.	5,682,835 A	11/1997	Walter
3,741,379 A	6/1973	Kappler et al.	5,701,842 A	12/1997	Whittles
D236,139 S *	7/1975	Kilham D30/125	D393,421 S	4/1998	Kovens
3,913,527 A *	10/1975	Kilham 119/74	5,758,596 A	6/1998	Loiselle
D239,182 S *	3/1976	Kilham D30/125	D397,060 S	8/1998	Mayer
3,948,220 A	4/1976	Fiedler	D399,611 S	10/1998	Ericson
4,030,451 A	6/1977	Miller	5,829,382 A	11/1998	Garrison
D245,715 S *	9/1977	Eldridge, Jr. D30/127	5,893,335 A	4/1999	Goodwin
4,103,774 A	8/1978	Shingyouchi	5,964,183 A *	10/1999	Czipri 119/52.3
4,106,657 A	8/1978	Dogliotti	5,970,913 A	10/1999	Bloedorn
4,144,842 A *	3/1979	Schlisling 119/52.3	D421,814 S	3/2000	Meck
D252,288 S *	7/1979	Kilham D30/125	6,047,661 A	4/2000	Lush
4,233,941 A	11/1980	Webster	6,067,934 A	5/2000	Harwich
4,323,035 A	4/1982	Piltch	6,070,554 A	6/2000	Wilson
4,327,669 A	5/1982	Blasbalg	6,073,582 A	6/2000	Lush
4,355,597 A *	10/1982	Blasbalg 119/57.8	6,119,627 A *	9/2000	Banyas et al. 119/57.9
D267,355 S	12/1982	Blasbalg	D439,359 S	3/2001	Feng
4,408,565 A	10/1983	Kerbs	D440,361 S	4/2001	Colwell
4,434,745 A	3/1984	Perkins	6,253,706 B1	7/2001	Sloop
D274,377 S	6/1984	Nock	D447,600 S	9/2001	Micinilio
D274,563 S	7/1984	Blasbalg	D448,126 S	9/2001	Colwell
D277,514 S	2/1985	Bescherer	D452,049 S	12/2001	Stokes
4,523,546 A	6/1985	Latham	6,348,691 B1	2/2002	Sandell
D282,019 S *	12/1985	Kilham D30/127	D454,669 S	3/2002	Lieb
4,595,369 A	6/1986	Downs	D461,577 S	8/2002	Cheong
D285,840 S	9/1986	Poon	6,453,843 B2	9/2002	Bescherer
D289,094 S	3/1987	Stephen	6,463,878 B1	10/2002	Moody
4,664,066 A	5/1987	Steuernagel	D466,255 S	11/2002	Kuelbs
4,691,665 A *	9/1987	Hefner 119/77	6,481,375 B1	11/2002	Scalf
4,732,112 A	3/1988	Fenner	D466,654 S	12/2002	Ridyard
D299,770 S	2/1989	Coffer	D470,630 S	2/2003	Kuelbs
4,866,952 A	9/1989	Hight et al.	D471,327 S	3/2003	Kuelbs
4,901,673 A	2/1990	Overstreet	D472,351 S *	3/2003	Griffin D30/128
4,955,319 A	9/1990	Brucker	D473,333 S	4/2003	Willmorth
4,977,859 A *	12/1990	Kilham 119/52.2	6,598,561 B1	7/2003	Johns
5,016,573 A	5/1991	Power	6,647,921 B2	11/2003	Stokes
D320,097 S *	9/1991	Vajtay D30/127	D483,139 S	12/2003	Kuelbs
D320,875 S *	10/1991	Kilham D30/127	6,659,041 B1	12/2003	Curls
5,062,388 A *	11/1991	Kilham 119/52.2	6,662,745 B2	12/2003	Chrisco et al.
5,063,877 A	11/1991	Riggi	D486,272 S	2/2004	Donegan
5,111,772 A	5/1992	Lipton	D490,941 S	6/2004	Rich
5,140,945 A	8/1992	Barnhart	6,758,164 B2	7/2004	Rich
5,150,665 A	9/1992	Boaz	6,767,117 B2	7/2004	DeArmond
5,165,363 A	11/1992	McGinty	D498,335 S	11/2004	Donegan
5,168,830 A	12/1992	Deglis	D499,334 S	12/2004	Murray, Jr.
D335,006 S	4/1993	Blasbalg	6,866,004 B1	3/2005	Lush
5,203,281 A	4/1993	Harwich	D504,746 S	5/2005	Lee
D338,427 S	8/1993	Liou	6,901,882 B2	6/2005	Kuelbs
5,247,904 A *	9/1993	Anderson 119/72	D514,748 S	2/2006	Sweasy
5,287,979 A	2/1994	Bourgeois	D514,749 S *	2/2006	Fort et al. D30/124
5,289,796 A	3/1994	Armstrong	D515,247 S	2/2006	Jung
D347,714 S	6/1994	Maple	D517,749 S *	3/2006	Jung et al. D30/124
D349,981 S	8/1994	Fasino	7,032,538 B1	4/2006	Lush
D350,419 S	9/1994	Long	D521,193 S	5/2006	Lombard
D351,262 S	10/1994	Fasino	D524,490 S	7/2006	Obenshain
D351,691 S	10/1994	Lipton	D536,838 S *	2/2007	Colvin et al. D30/124
D352,001 S	11/1994	Hsieh	D536,839 S *	2/2007	Colvin et al. D30/124
5,377,617 A	1/1995	Harwich	7,198,004 B1	4/2007	Lush
5,377,619 A	1/1995	Katz	7,231,890 B2 *	6/2007	Colvin 119/72
5,398,642 A	3/1995	Harwich	7,234,418 B2 *	6/2007	Fort et al. 119/72
D357,766 S	4/1995	Prince et al.	D546,506 S	7/2007	Barszcz
D360,710 S *	7/1995	Colwell D30/121	7,237,507 B1	7/2007	Colwell
D361,873 S	8/1995	Nottingham	7,258,075 B1	8/2007	Jones
D362,922 S	10/1995	Prince et al.	D555,841 S	11/2007	Fan
D363,140 S	10/1995	Accumanno et al.	D566,344 S	4/2008	Schatz
5,454,348 A *	10/1995	Colwell et al. 119/72	D577,851 S	9/2008	Yurich
5,479,878 A	1/1996	Coulter	7,418,923 B1 *	9/2008	Banyas et al. 119/57.9
D367,134 S *	2/1996	Bescherer D30/127	7,503,282 B1	3/2009	Lush
			7,506,611 B1	3/2009	Lush

US D683,909 S

D602,650	S	*	10/2009	Garcia-Lucio et al.	D30/124	2009/0133636	A1	*	5/2009	Richmond	119/52.2
7,611,265	B2		11/2009	Laporte		2009/0145875	A1	*	6/2009	Gardner	215/228
D606,708	S		12/2009	McMullen		2009/0159008	A1		6/2009	Humphries	
D606,709	S		12/2009	McMullen		2010/0061091	A1		3/2010	Galipeau	
7,634,974	B1	*	12/2009	Puckett et al.	119/74	2010/0242848	A1	*	9/2010	Vaughn et al.	119/77
D612,531	S		3/2010	Smith		2010/0251967	A1	*	10/2010	Mateer et al.	119/77
D612,549	S	*	3/2010	Garcia-Lucio et al.	D30/128	2010/0288200	A1		11/2010	Lush	
7,685,969	B2	*	3/2010	Stone et al.	119/72	2010/0288201	A1		11/2010	Lush	
7,739,982	B2		6/2010	Cote		2011/0011345	A1	*	1/2011	LoRocco et al.	119/72
7,743,732	B2		6/2010	Webber		2011/0067635	A1	*	3/2011	Puckett et al.	119/52.2
D633,659	S		3/2011	Lai		2011/0083609	A1	*	4/2011	Cote	119/52.2
7,918,184	B2		4/2011	Humphries et al.		2011/0094449	A1	*	4/2011	George	119/61.1
D638,113	S		5/2011	Havive		2011/0100299	A1	*	5/2011	Colwell	119/52.2
7,946,249	B2	*	5/2011	Colvin et al.	119/78	2011/0100300	A1	*	5/2011	Carter et al.	119/72
7,946,734	B2		5/2011	Laporte		2011/0168101	A1	*	7/2011	Guay et al.	119/78
D640,584	S		6/2011	Rockefeller		2011/0277691	A1	*	11/2011	Sundquist	119/72
7,992,520	B2		8/2011	Lush		2011/0297095	A1	*	12/2011	Cruz et al.	119/80
8,021,027	B2		9/2011	Galipeau		2012/0060762	A1	*	3/2012	Cowger et al.	119/74
8,028,658	B2	*	10/2011	Stone et al.	119/72	2012/0079988	A1	*	4/2012	Vaughn et al.	119/72
D648,903	S		11/2011	Lush		2012/0216750	A1	*	8/2012	Cruz et al.	119/72
D649,299	S		11/2011	Lush		2012/0279454	A1	*	11/2012	Gauker et al.	119/78
D649,300	S		11/2011	Lush							
8,056,507	B2		11/2011	Lush							
D656,279	S	*	3/2012	Tu	D30/127						
D663,489	S		7/2012	Van Dyk							
8,276,541	B2	*	10/2012	LoRocco et al.	119/72						
2001/0032592	A1		10/2001	Bescherer							
2002/0092475	A1		7/2002	Paynton							
2003/0033985	A1		2/2003	Hardison							
2006/0065202	A1	*	3/2006	Fort et al.	119/72						
2006/0118056	A1		6/2006	Kuelbs							
2006/0162665	A1		7/2006	George							
2006/0260553	A1		11/2006	Cote							
2007/0289540	A1	*	12/2007	Stone et al.	119/72						
2008/0134979	A1		6/2008	Crocker							
2008/0205069	A1		8/2008	Laporte							
2008/0232111	A1		9/2008	Laporte							
2008/0251025	A1	*	10/2008	Guay et al.	119/78						
2009/0071408	A1		3/2009	Wechsler							
2009/0078211	A1	*	3/2009	Charlton	119/77						

OTHER PUBLICATIONS

U.S. Appl. No. 29/424,217, filed Jun. 8, 2012.
 Notice of Allowance issued Sep. 28, 2012 in U.S. Appl. No. 29/424,217.
 U.S. Appl. No. 13/550,670, filed Jul. 12, 2012.
 U.S. Appl. No. 29/428,993, filed Aug. 6, 2012.
 U.S. Appl. No. 29/428,995, filed Aug. 6, 2012.
 U.S. Appl. No. 29/429,000, filed Aug. 6, 2012.
 U.S. Appl. No. 29/429,001, filed Aug. 6, 2012.
 U.S. Appl. No. 29/429,002, filed Aug. 6, 2012.
 U.S. Appl. No. 29/429,003, filed Aug. 6, 2012.
 U.S. Appl. No. 29/429,004, filed Aug. 6, 2012.
 U.S. Appl. No. 29/429,006, filed Aug. 6, 2012.
 U.S. Appl. No. 29/429,007, filed Aug. 6, 2012.
 U.S. Appl. No. 29/429,009, filed Aug. 6, 2012.

* cited by examiner

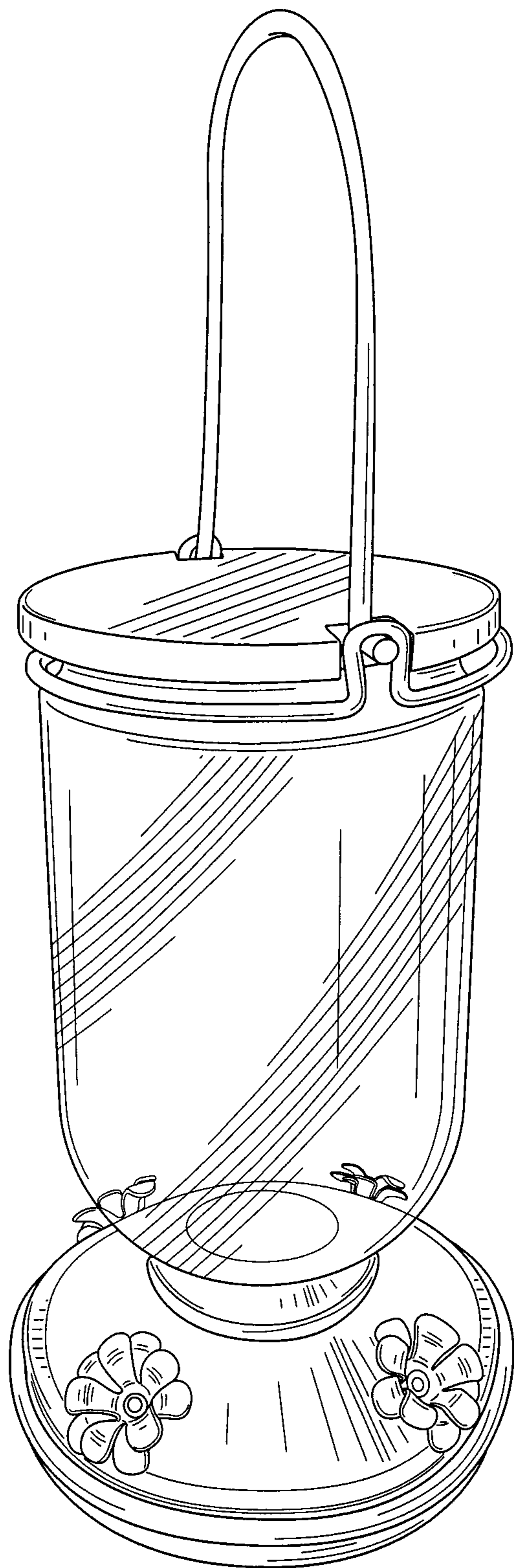


FIG. 1

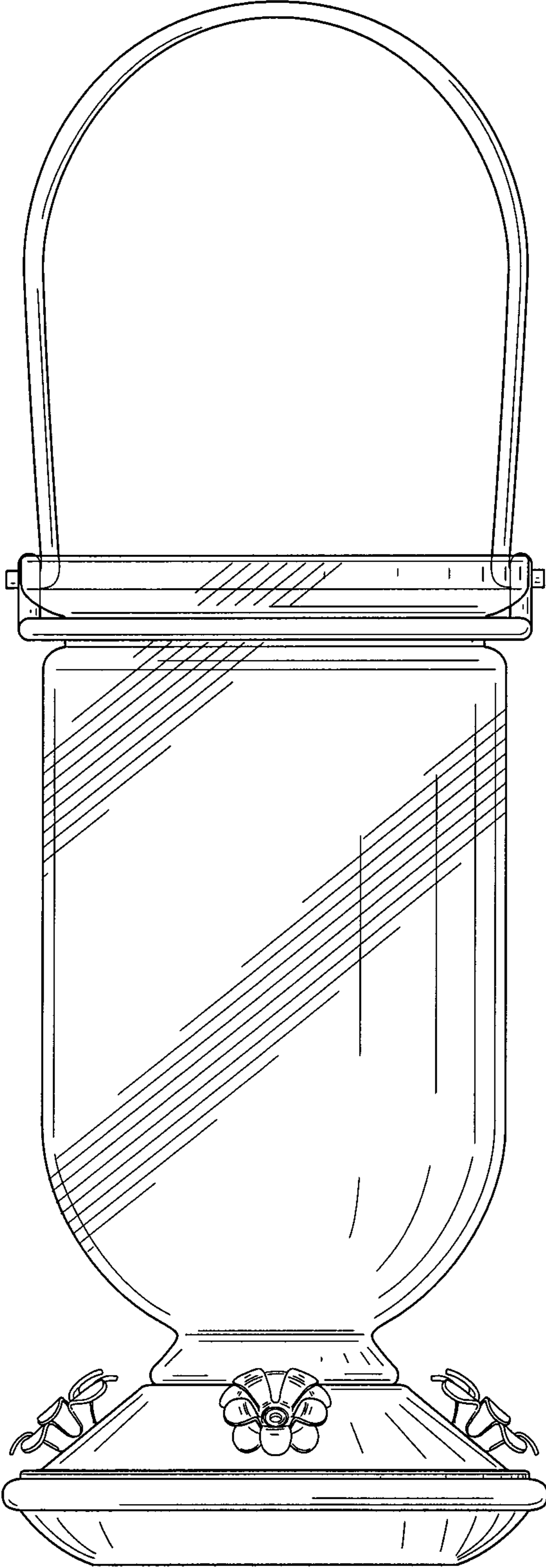


FIG. 2

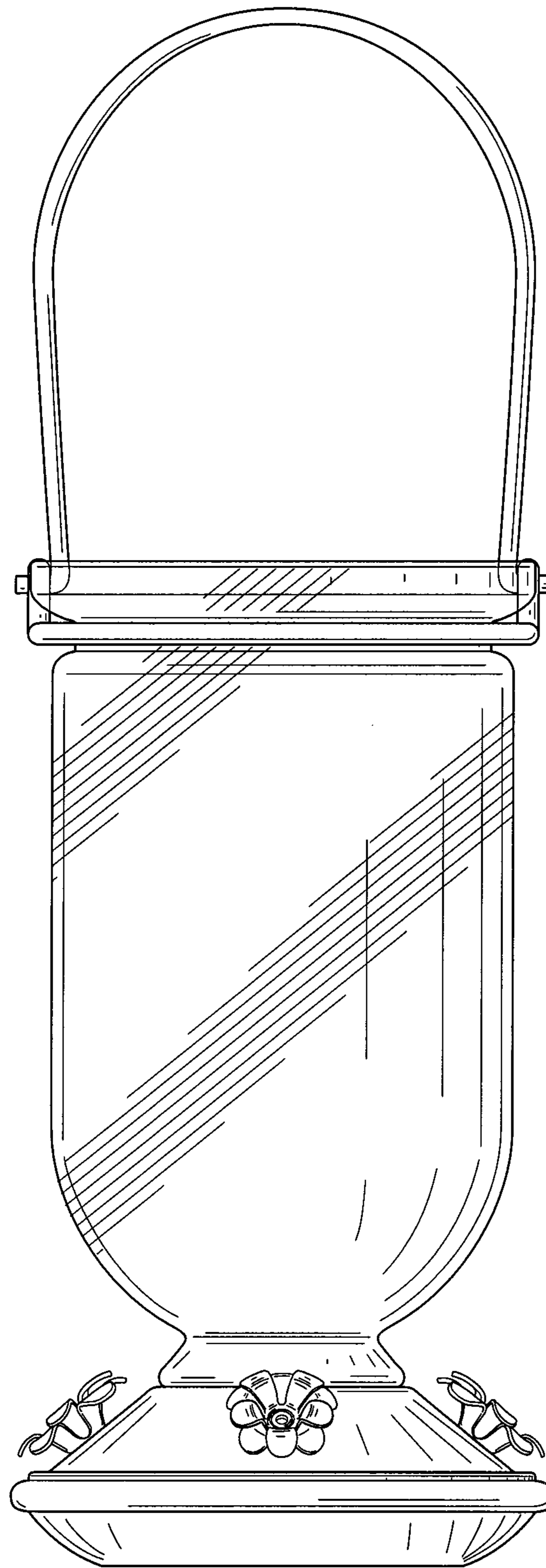


FIG. 3

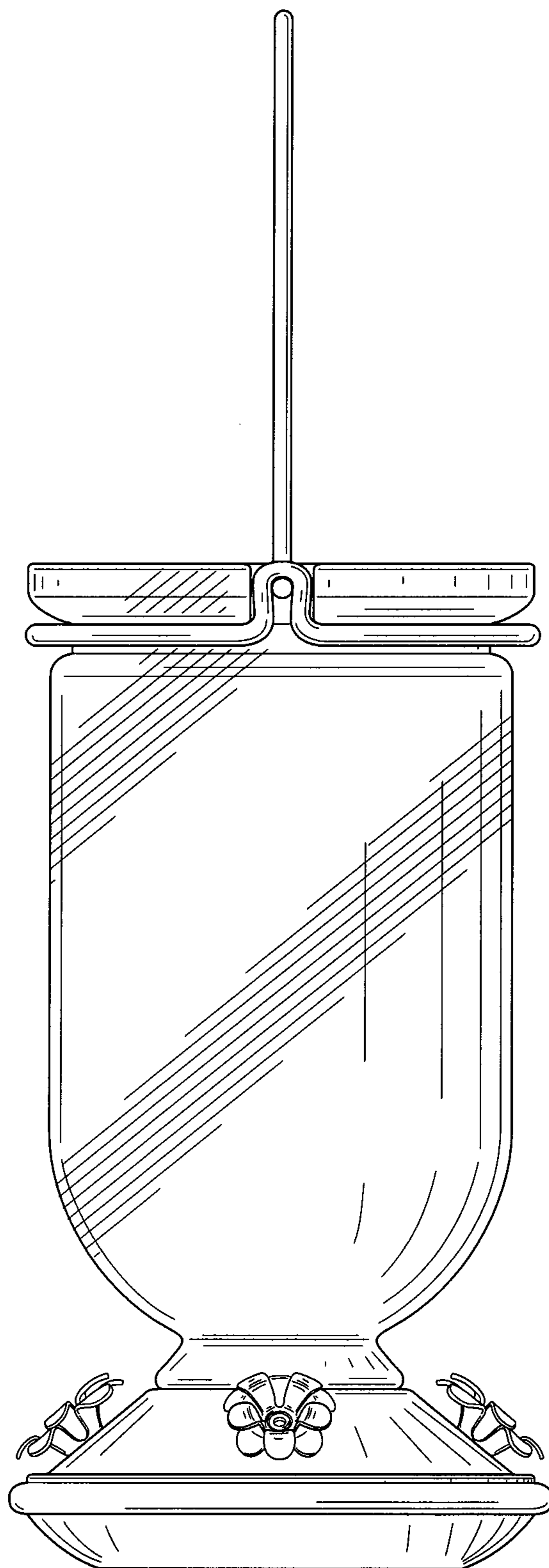


FIG. 4

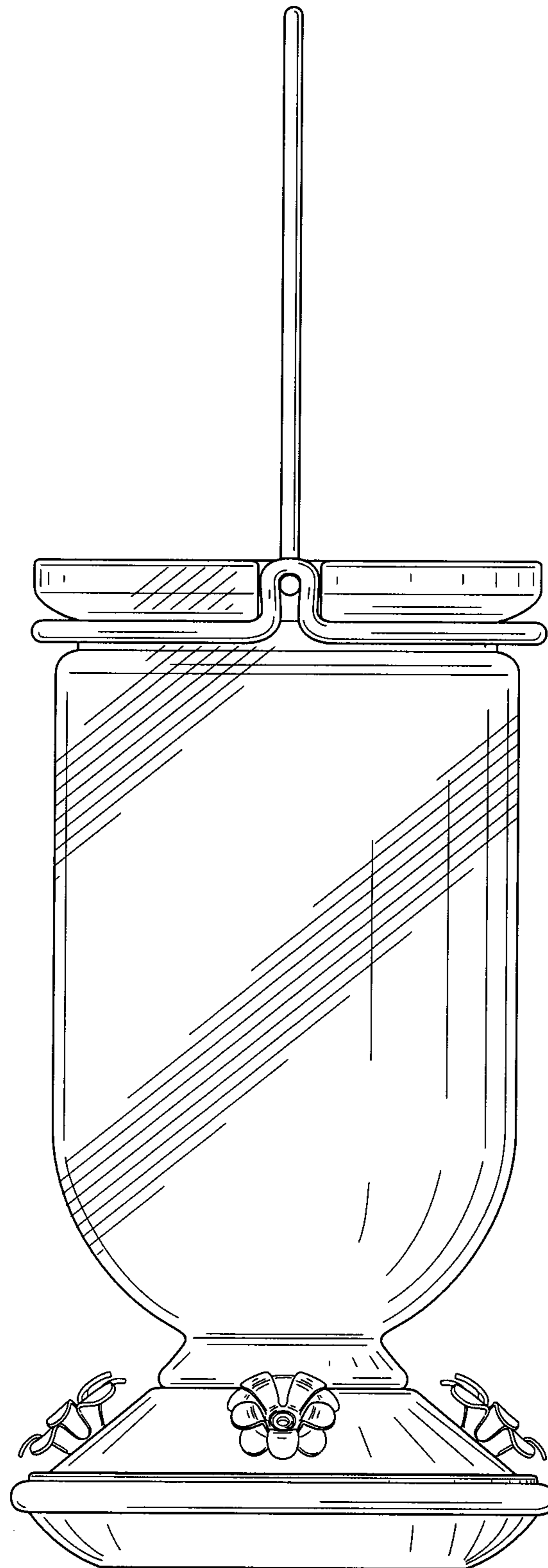


FIG. 5

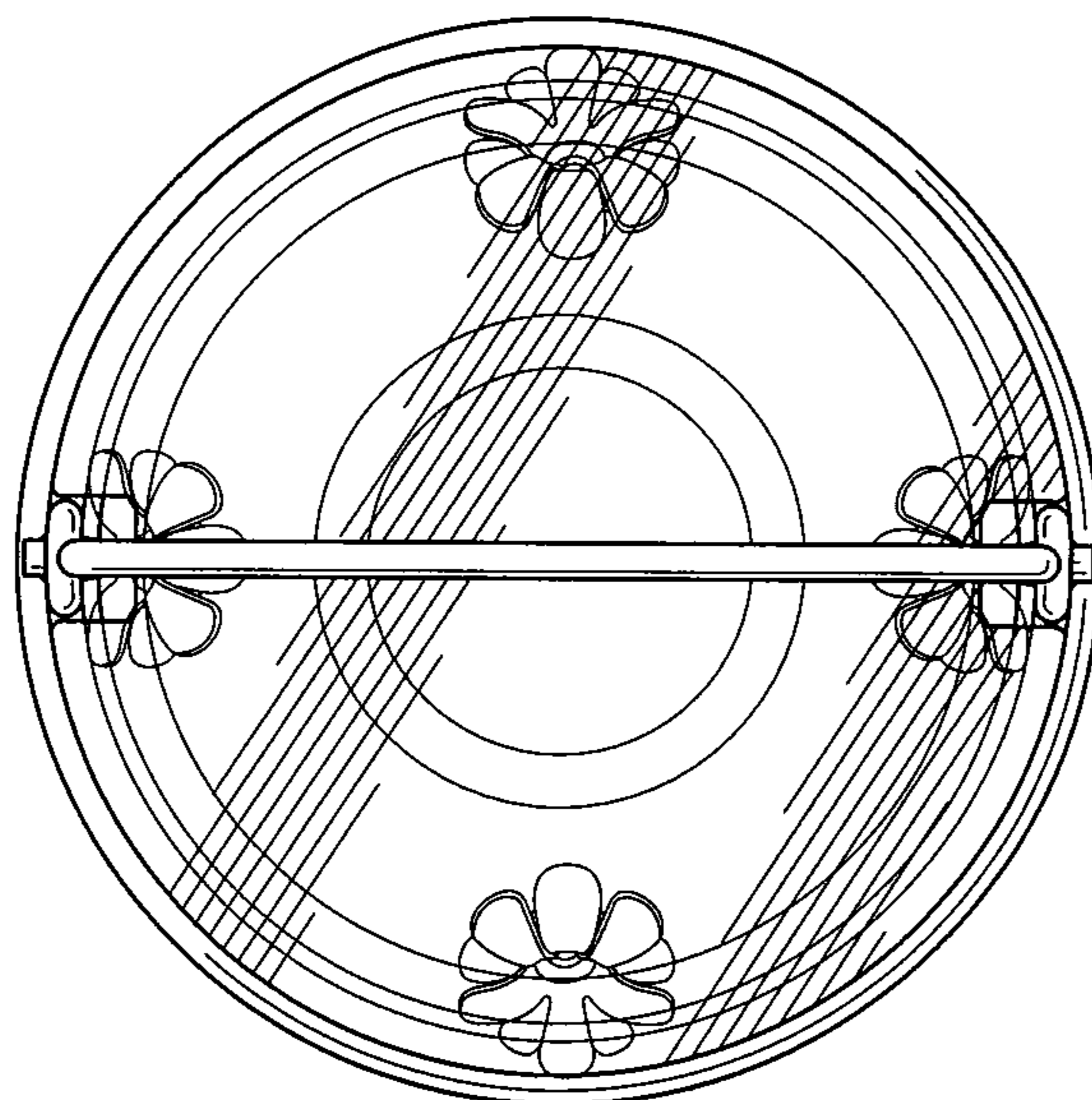


FIG. 6

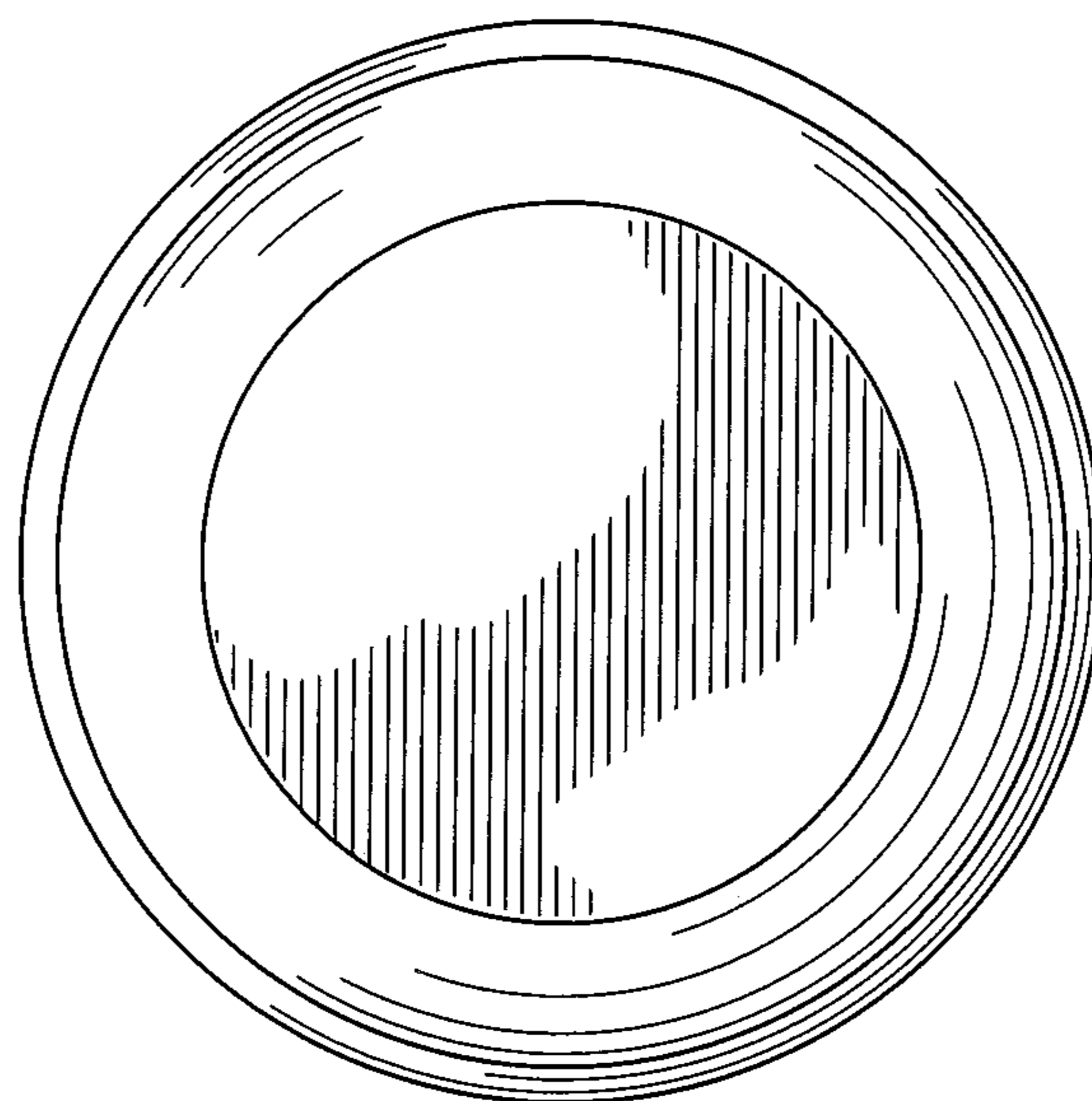


FIG. 7