



US00D683907S

(12) **United States Design Patent**
Smith

(10) **Patent No.:** **US D683,907 S**
(45) **Date of Patent:** **** Jun. 4, 2013**

- (54) **PROTECTIVE LEG PAD**
- (71) Applicant: **Warrior Sports, Inc.**, Warren, MI (US)
- (72) Inventor: **Peter B. Smith**, Brockport, NY (US)
- (73) Assignee: **Warrior Sports, Inc.**, Warren, MI (US)
- (**) Term: **14 Years**
- (21) Appl. No.: **29/437,748**
- (22) Filed: **Nov. 20, 2012**

| | | | | |
|--------------|------|---------|--------------|------|
| 5,924,140 | A | 7/1999 | Chi | |
| 6,272,682 | B1 | 8/2001 | Fullum | |
| 6,588,167 | B2 | 7/2003 | Chang | |
| D540,097 | S | 4/2007 | Gebbia | |
| 7,220,158 | B1 | 5/2007 | Norris | |
| D554,296 | S | 10/2007 | Darche | |
| 7,823,218 | B2 | 11/2010 | Goyer et al. | |
| 8,161,569 | B2 * | 4/2012 | Hudon et al. | 2/22 |
| 2007/0250977 | A1 | 11/2007 | Brown et al. | |

OTHER PUBLICATIONS

Itech Pads.
Bauer Pads.
Reebok SR9K Pads.
Reebok Pulse Pads.

* cited by examiner

Primary Examiner — Raphael Barkai
Assistant Examiner — Randall Gholson
(74) *Attorney, Agent, or Firm* — Warner Norcross & Judd LLP

CLAIM

(57) The ornamental design for protective leg pad, as shown and described.

DESCRIPTION

FIG. 1 is a perspective view of the protective leg pad embodying a first embodiment of the new design;
FIG. 2 is a side view thereof;
FIG. 3 is a top view thereof;
FIG. 4 is a bottom view thereof; and,
FIG. 5 is a rear view thereof.
FIGS. 1-5 show features of a protective leg pad in phantom lines. These features are shown for environmental purposes and do not form any part of the claimed design. Further, the phantom lines immediately adjacent the solid-line portions of the design form the boundary of the design, with the phantom lines forming no part of the claimed design.

1 Claim, 2 Drawing Sheets

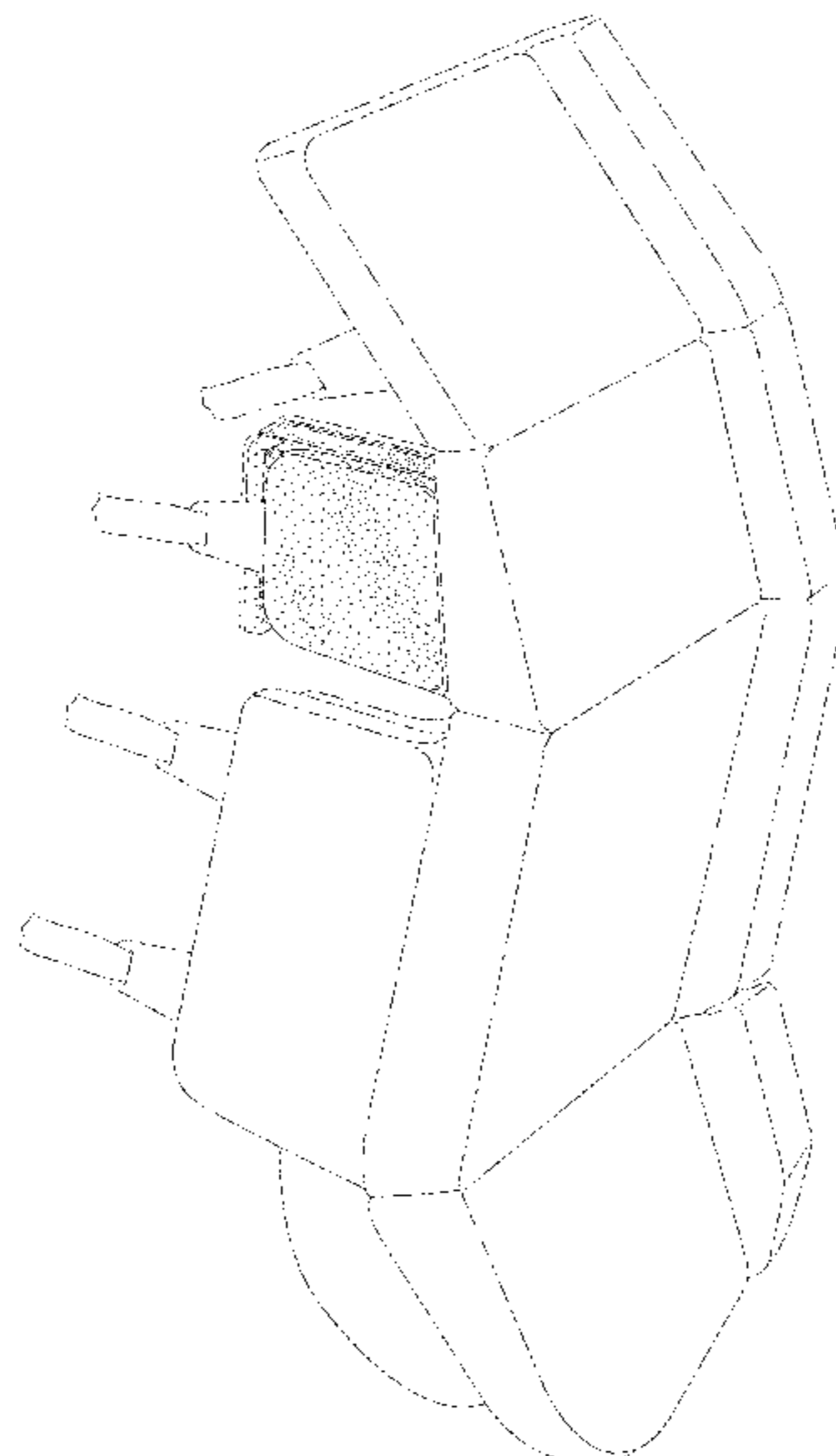
Related U.S. Application Data

- (62) Division of application No. 29/431,526, filed on Sep. 7, 2012, now Pat. No. Des. 674,149, which is a division of application No. 29/393,542, filed on Jun. 6, 2011, now Pat. No. Des. 669,228.
- (51) **LOC (9) Cl.** **29-02**
- (52) **U.S. Cl.**
USPC **D29/120.1**
- (58) **Field of Classification Search**
USPC D29/100, 101.1, 101.2, 101.3, 101.4, D29/101.5, 120.1, 120.2, 121.1, 121.2, 122; D2/858, 712, 901; D24/189, 190; 2/16, 20-24, 2/62, 267, 455, 459, 461-468, 910, 911; 602/3, 602/5, 6, 16, 23, 26
See application file for complete search history.

References Cited

U.S. PATENT DOCUMENTS

- 3,323,151 A 6/1967 Lerman
- 3,785,961 A * 1/1974 Schrepfer 208/139
- 4,346,525 A 8/1982 Larsen et al.
- 4,868,926 A 9/1989 Lowson
- 5,093,931 A * 3/1992 LaBerge et al. 2/22
- 5,328,652 A 7/1994 Thomson
- 5,711,029 A * 1/1998 Visco et al. 2/22
- 5,802,642 A 9/1998 Slaughter



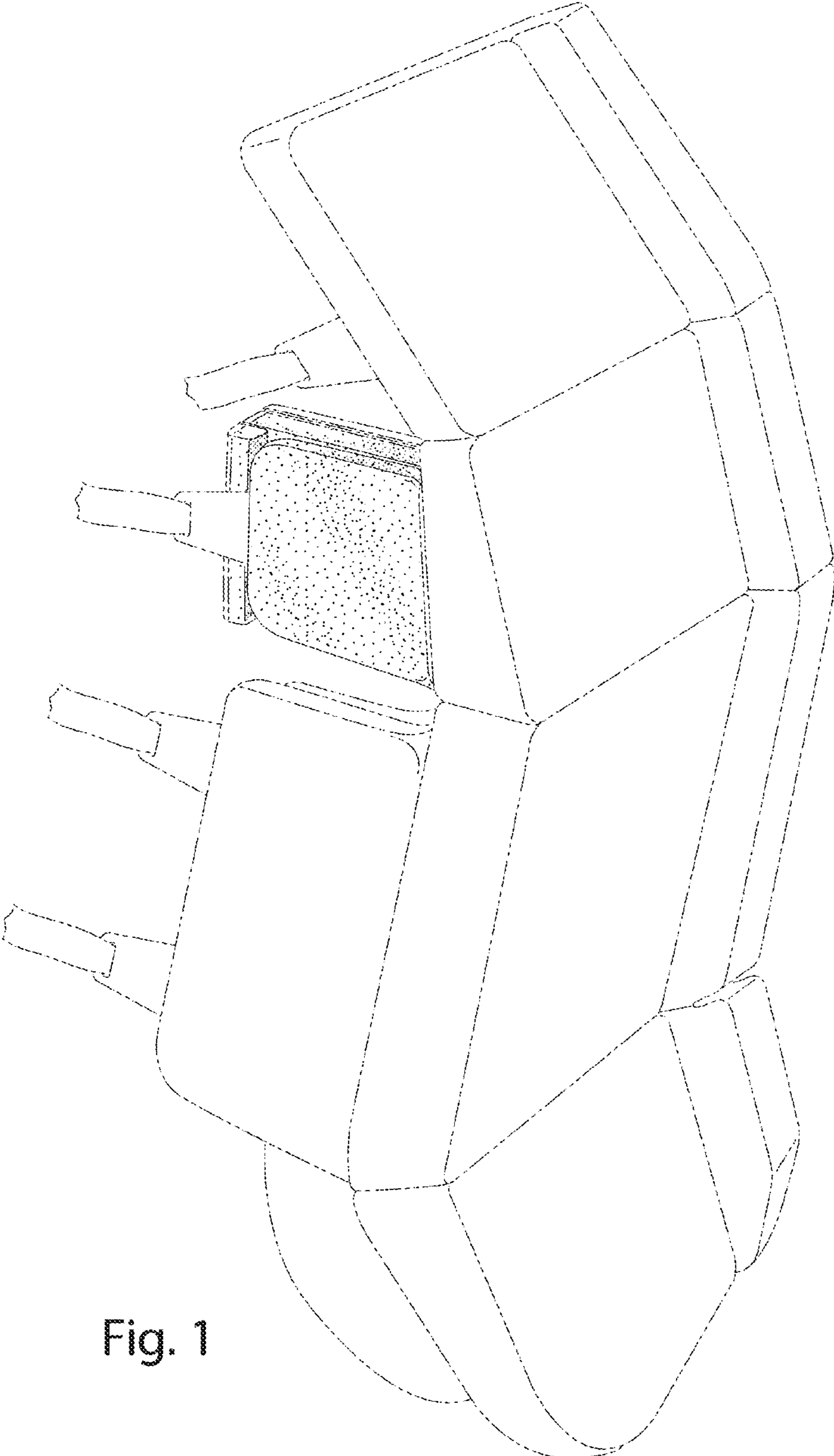


Fig. 1

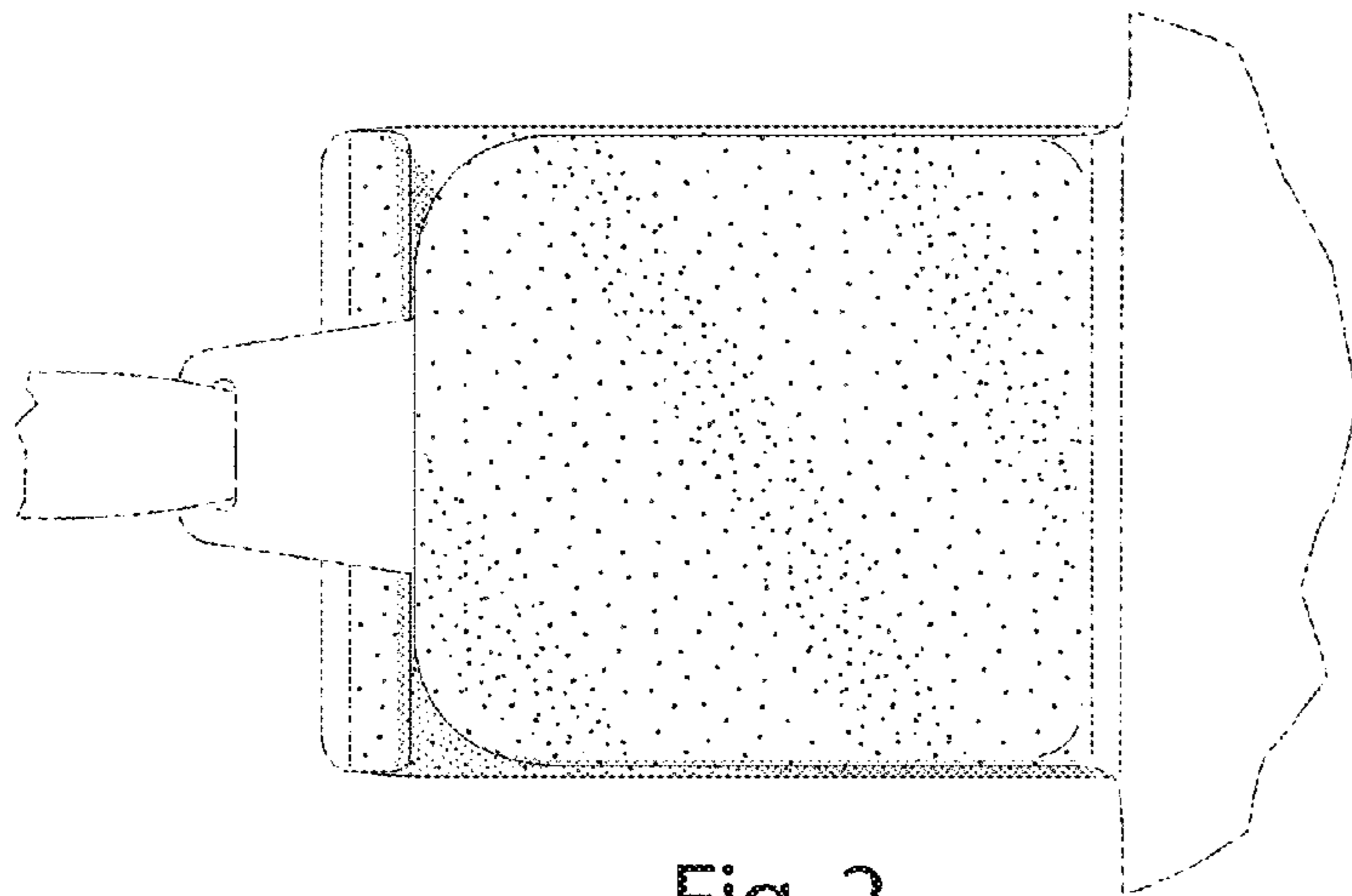


Fig. 2

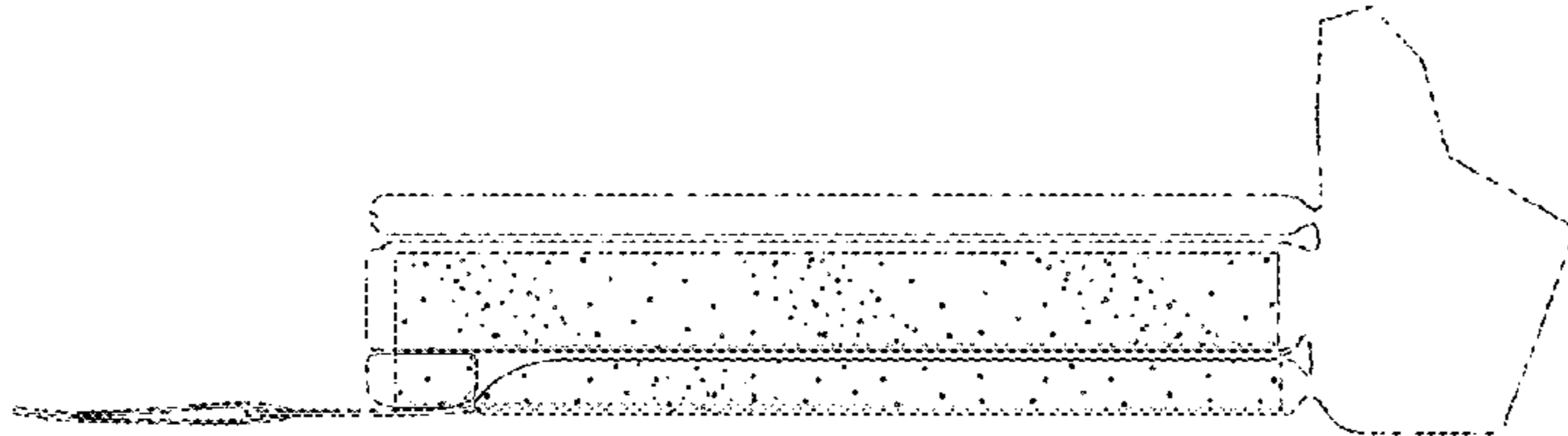


Fig. 3

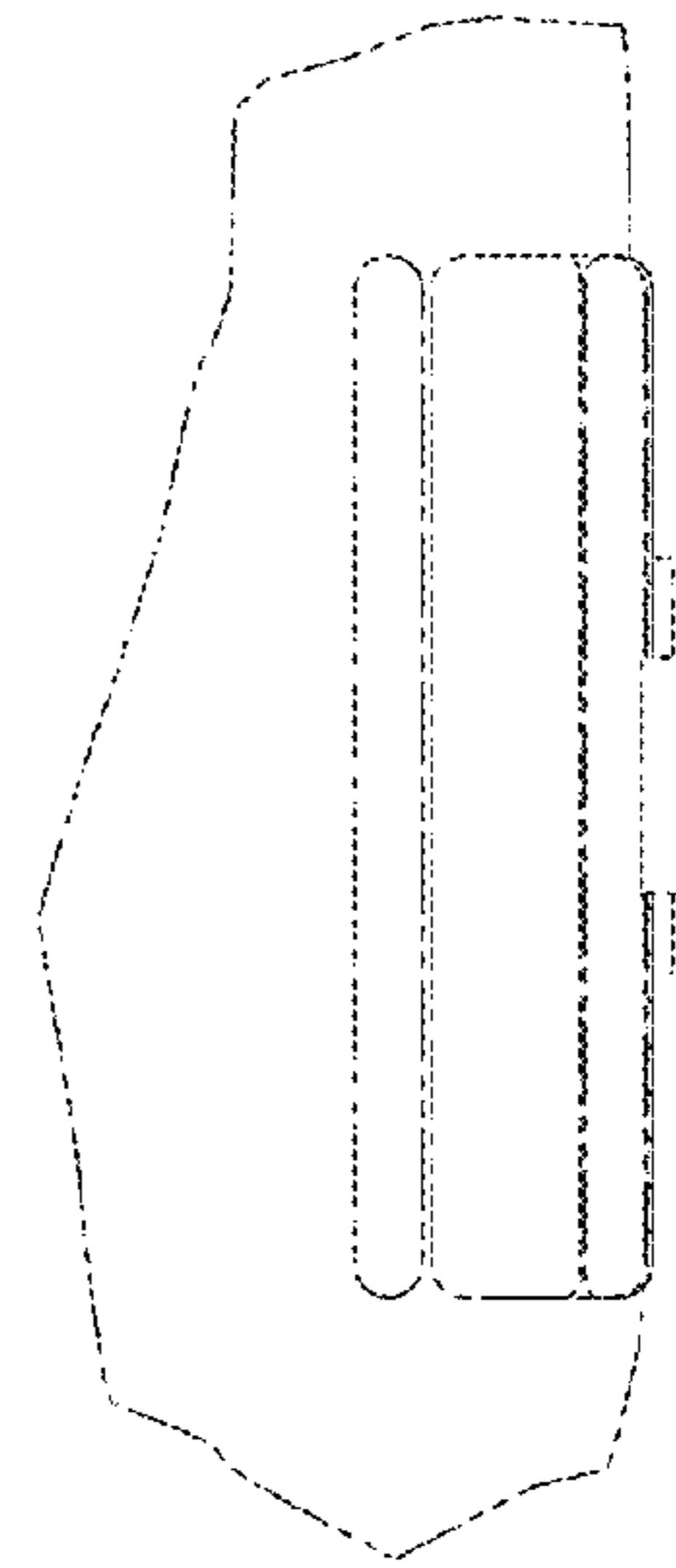


Fig. 5

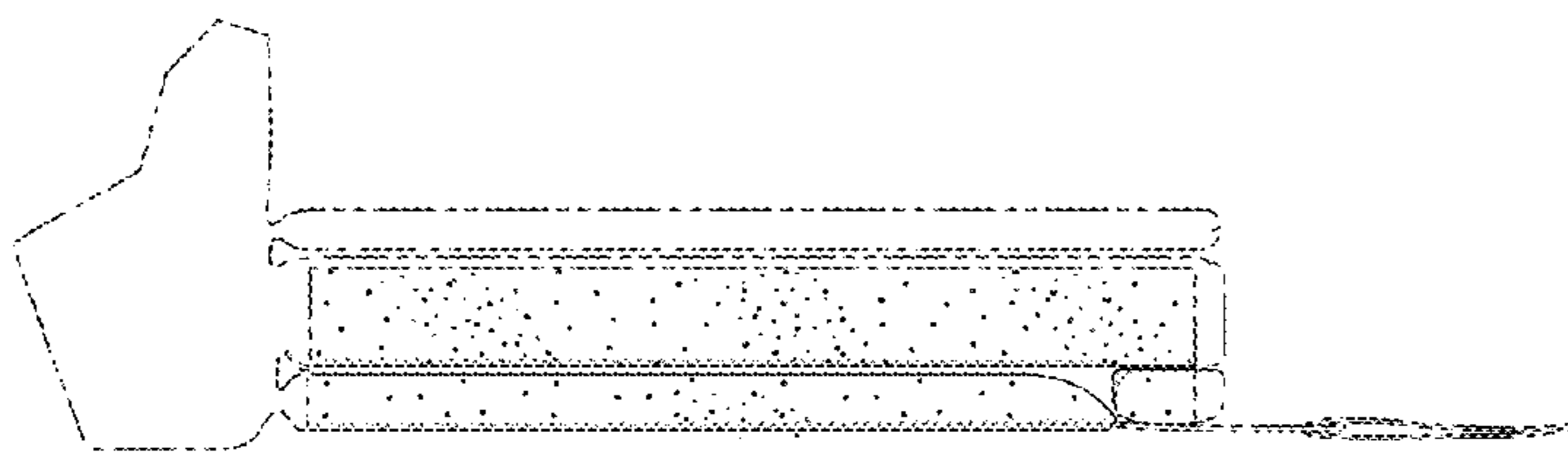


Fig. 4