



US00D683906S

(12) **United States Design Patent**
Jackson et al.

(10) **Patent No.:** **US D683,906 S**
(45) **Date of Patent:** **** Jun. 4, 2013**

(54) **WELDING AUTO-DARKENING FILTER**

(75) Inventors: **Matrice Brown Jackson**, Woodstock, GA (US); **Alice Susan Gordon**, Roswell, GA (US); **Kristy Jo Giebe**, Johns Creek, GA (US); **Russell J. Kroll**, Atlanta, GA (US); **Mark A. Kruse**, Atlanta, GA (US); **Benjamin D. Stephens**, Atlanta, GA (US); **Robert J. Henshaw**, Newnan, GA (US); **Philip D. Palermo**, Marietta, GA (US)

(73) Assignee: **Kimberly-Clark Worldwide, Inc.**, Neenah, WI (US)

(**) **Term:** **14 Years**

(21) **Appl. No.:** **29/377,783**

(22) **Filed:** **Oct. 26, 2010**

(51) **LOC (9) Cl.** **29-02**

(52) **U.S. Cl.**
USPC **D29/110; D29/122**

(58) **Field of Classification Search**
USPC D29/100, 101.1, 102, 104-110, 122;
D15/144, 144.1, 144.2; 2/410, 15, 455, 7,
2/8.1-8.8, 9.424, 427, 429; D16/101; D14/341,
D14/346, 347, 333, 338; 128/857, 858, 206.28,
128/206.23, 206.24

See application file for complete search history.

(56) **References Cited**

U.S. PATENT DOCUMENTS

D139,883	S	*	1/1945	Vasseyr	D29/110
2,505,640	A	*	4/1950	Fitch	2/8.1
D203,091	S	*	11/1965	Cupp	D29/110
3,251,065	A	*	5/1966	Caldwell	2/8.3
D250,856	S	*	1/1979	Siebert	D29/110
4,774,723	A	*	10/1988	Ruck	2/8.1
5,062,156	A	*	11/1991	Siegal	2/8.1

D340,547	S	*	10/1993	Rekow	D29/110
D349,588	S	*	8/1994	Howard et al.	D29/110
D355,053	S	*	1/1995	Honrud	D29/110
5,544,206	A	*	8/1996	Brooks et al.	376/248
D393,933	S	*	4/1998	Huh	D29/110
D398,421	S	*	9/1998	Crafoord et al.	D29/110
5,925,441	A	*	7/1999	Blauer et al.	428/196
5,959,705	A		9/1999	Ferguson		
6,021,520	A		2/2000	Lee		
6,097,451	A	*	8/2000	Palmer et al.	349/14
6,557,174	B2	*	5/2003	Martin et al.	2/8.8
6,973,672	B2	*	12/2005	Huh	2/8.1
7,000,251	B2	*	2/2006	DeYoung	2/8.2
D521,190	S	*	5/2006	Wu	D29/110
D530,864	S	*	10/2006	Huh	D29/110
7,308,719	B2	*	12/2007	Huh	2/8.2
D565,801	S	*	4/2008	Curci et al.	D29/110
7,477,330	B2	*	1/2009	Magnusson et al.	349/14

(Continued)

FOREIGN PATENT DOCUMENTS

CN	2151732	Y	1/1994
CN	201290803	Y	8/2009

(Continued)

Primary Examiner — Elizabeth J Oswecki

(74) *Attorney, Agent, or Firm* — Dority & Manning, P.A.

(57) **CLAIM**

The ornamental design for welding auto-darkening filter, as shown and described.

DESCRIPTION

FIG. 1 is a perspective view of a welding auto-darkening filter showing our new design;

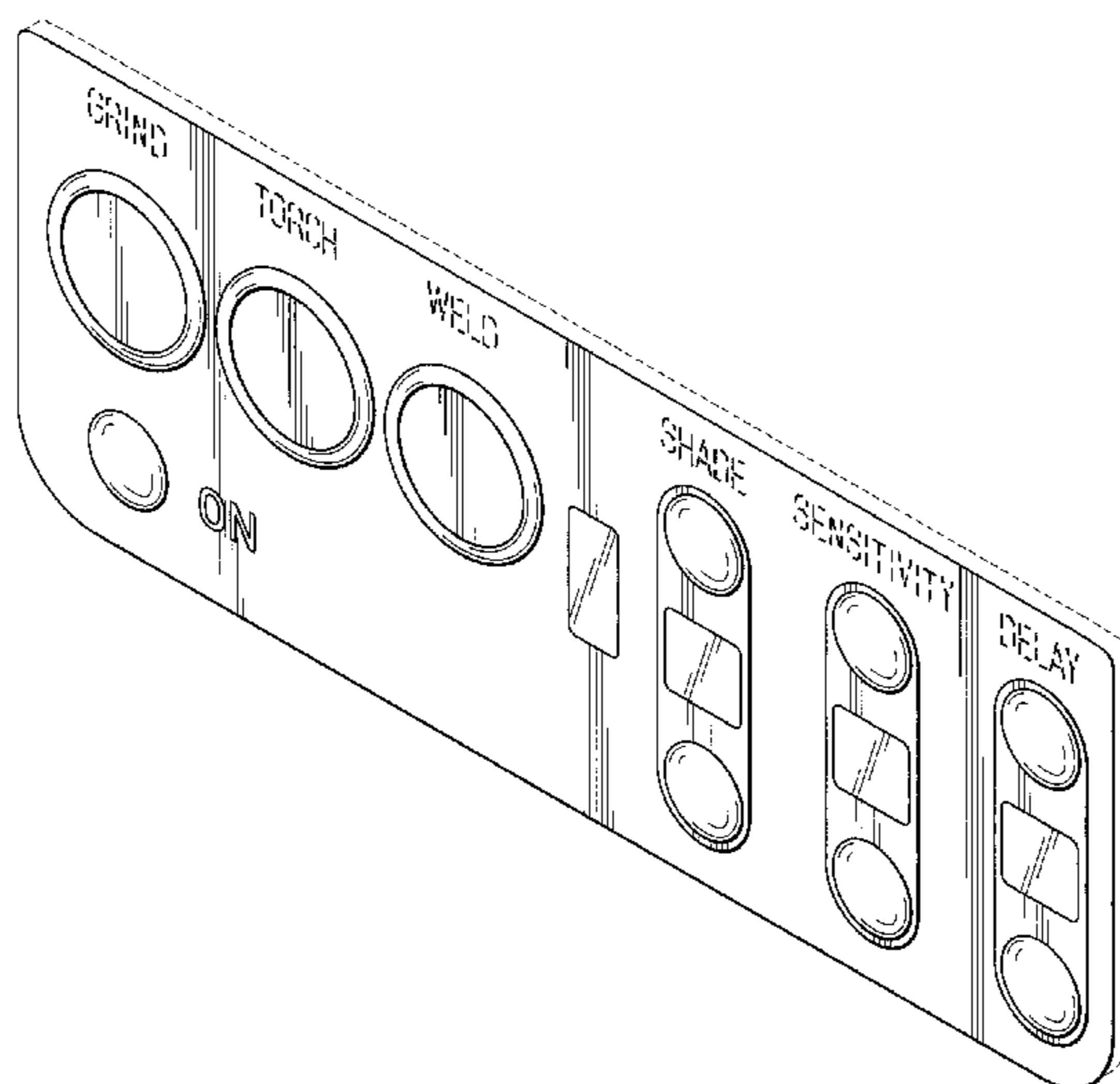
FIG. 2 is a front view thereof;

FIG. 3 is a top view thereof; and,

FIG. 4 is a bottom view thereof.

In the drawings, the broken lines shown in FIGS. 1-4 depict portions of the design that form no part of the claim.

1 Claim, 3 Drawing Sheets



US D683,906 S

Page 2

U.S. PATENT DOCUMENTS

D597,709 S * 8/2009 Juhlin D29/122
D604,911 S * 11/2009 Juhlin D29/122
D628,750 S * 12/2010 Schwanz D29/110
7,884,888 B2 * 2/2011 Magnusson et al. 349/14
2001/0017681 A1 8/2001 Hornell et al.
2002/0024739 A1 2/2002 Martin et al.
2004/0031903 A1 2/2004 Kiyoshi et al.
2004/0178326 A1 9/2004 Hamilton et al.
2006/0203148 A1 9/2006 Magnusson et al.
2006/0285330 A1 12/2006 Sundell
2007/0056073 A1 3/2007 Martin et al.
2007/0081250 A1 * 4/2007 Garbergs et al. 359/601
2007/0089215 A1 4/2007 Biche et al.
2007/0195227 A1 8/2007 Dufresne et al.

2007/0289049 A1 * 12/2007 Gerfin et al. 2/455
2008/0060102 A1 3/2008 Matthews et al.
2008/0068521 A1 * 3/2008 Cottier 349/14
2009/0094721 A1 * 4/2009 Becker 2/8.8
2010/0088793 A1 * 4/2010 Ghisleni et al. 2/8.2
2011/0119801 A1 * 5/2011 Wright 2/8.2

FOREIGN PATENT DOCUMENTS

CN 101732128 A 6/2010
JP 61-182720 U 11/1961
KR 10-0658036 B 12/2006
WO WO 00/61044 A1 10/2000
WO WO 00/62119 A1 10/2000
WO WO 2008/074176 A1 6/2008

* cited by examiner

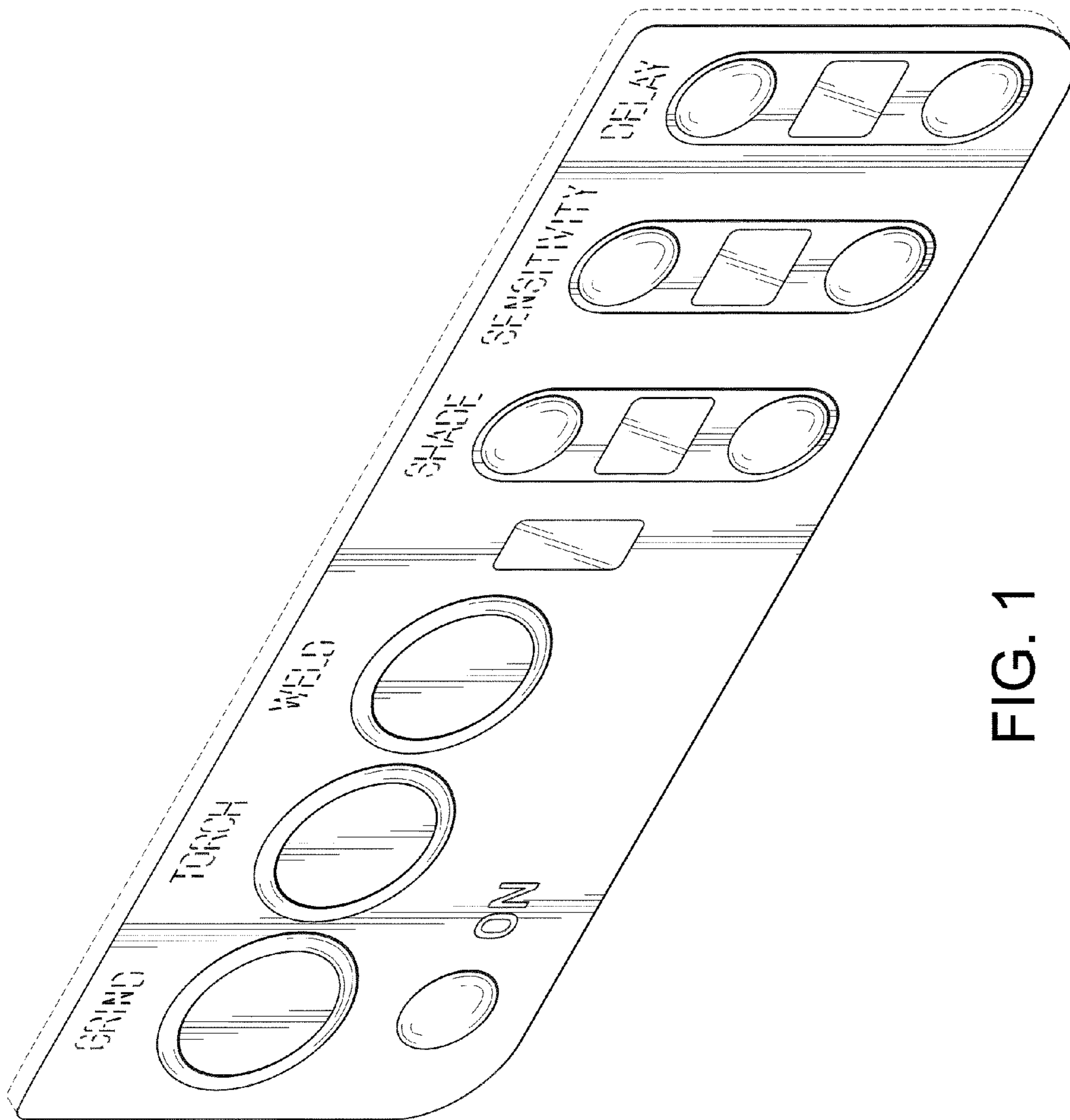


FIG. 1

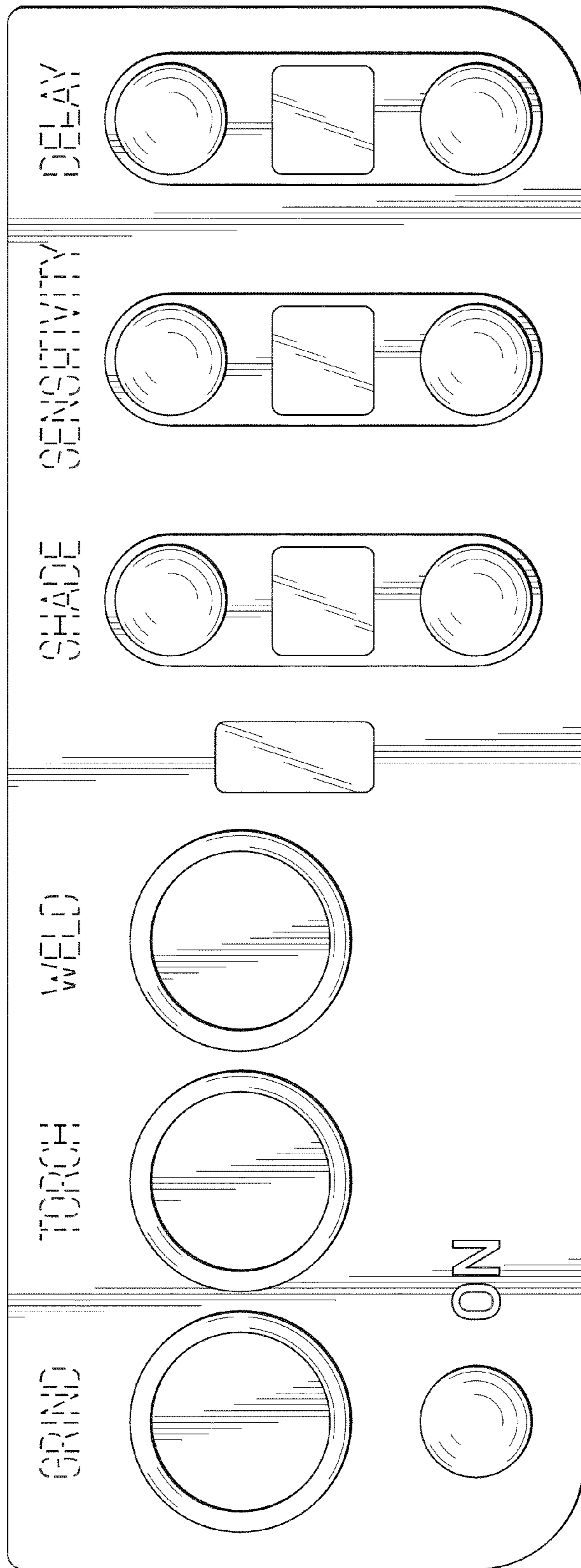


FIG. 2

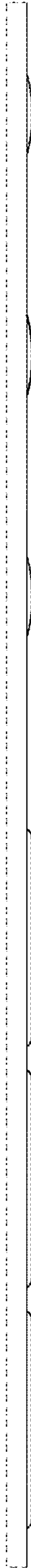


FIG. 3



FIG. 4