



US00D683901S

(12) **United States Design Patent**
Skuhra et al.

(10) **Patent No.:** **US D683,901 S**
(45) **Date of Patent:** **** Jun. 4, 2013**

(54) **HAIR CLIPPER HOUSING**

(71) Applicant: **Andis Company**, Sturtevant, WI (US)

(72) Inventors: **Andrew A. Skuhra**, Racine, WI (US);
Timothy B. Strandell, Racine, WI (US)

(73) Assignee: **Andis Company**, Sturtevant, WI (US)

(**) Term: **14 Years**

(21) Appl. No.: **29/438,554**

(22) Filed: **Nov. 30, 2012**

Related U.S. Application Data

(63) Continuation of application No. 29/397,517, filed on Jul. 18, 2011, now Pat. No. Des. 673,731.

(51) **LOC (9) Cl.** **28-03**

(52) **U.S. Cl.**
USPC **D28/54**

(58) **Field of Classification Search**
USPC D28/44-54; 30/34.1-34.2, 34.05, 30/32, 41.9, 44-43.92, 47-52, 42-46, 53-55, 30/57-84, 526-541, 195-223, 341, 272.1, 30/226-227, 233-233.5, 231
See application file for complete search history.

(56) **References Cited**

U.S. PATENT DOCUMENTS

D435,936 S *	1/2001	Long et al.	D28/54
D455,230 S *	4/2002	Lau	D28/53
D500,392 S *	12/2004	Buck et al.	D28/54
D534,689 S *	1/2007	Gross et al.	D28/53
D571,504 S *	6/2008	Long et al.	D28/54

D577,865 S *	9/2008	Long et al.	D28/54
D597,253 S *	7/2009	Eddinger et al.	D28/54
D673,731 S *	1/2013	Skuhra et al.	D28/53

OTHER PUBLICATIONS

Web page showing Andis Clipper Envy launch date of Aug. 10, 2011, page retrieved Jan. 22, 2013.*

* cited by examiner

Primary Examiner — Jennifer Rivard

(74) *Attorney, Agent, or Firm* — Michael Best & Friedrich LLP

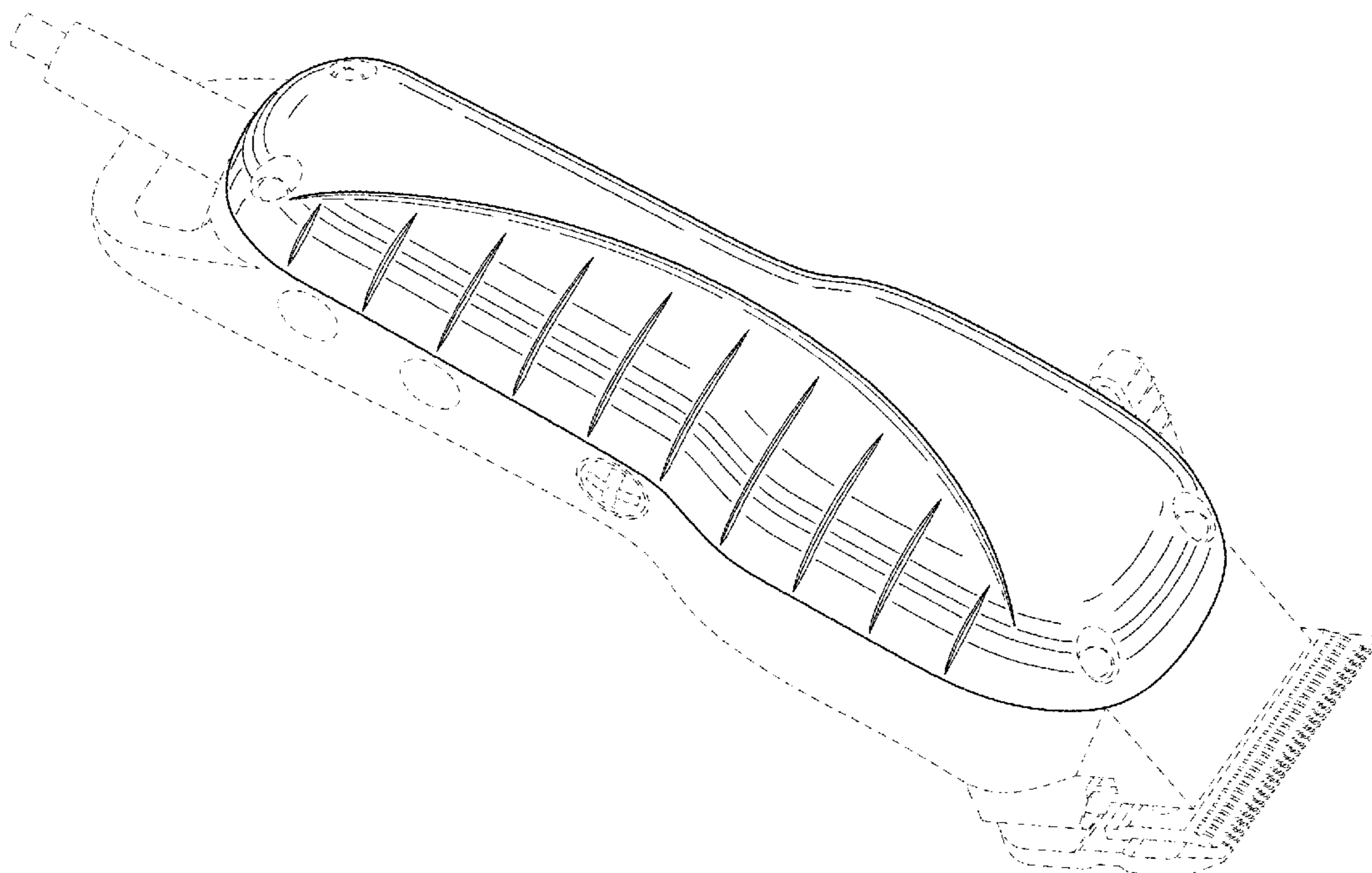
(57) **CLAIM**

We claim the ornamental design for a hair clipper housing, as shown and described.

DESCRIPTION

FIG. 1 is a perspective view of a hair clipper housing. FIG. 2 is a top view of the design shown in FIG. 1. FIG. 3 is a bottom view of the design shown in FIG. 1. FIG. 4 is a right view of the design shown in FIG. 1. FIG. 5 is a left view of the design shown in FIG. 1. FIG. 6 is a left view of the design shown in FIG. 1, with a portion of the unclaimed environment removed for illustrative purposes. FIG. 7 is a front view of the design shown in FIG. 1; and, FIG. 8 is a rear view of the design shown in FIG. 1. The broken lines shown in the drawings illustrate the environment of the article and form no part of the claimed design.

1 Claim, 8 Drawing Sheets



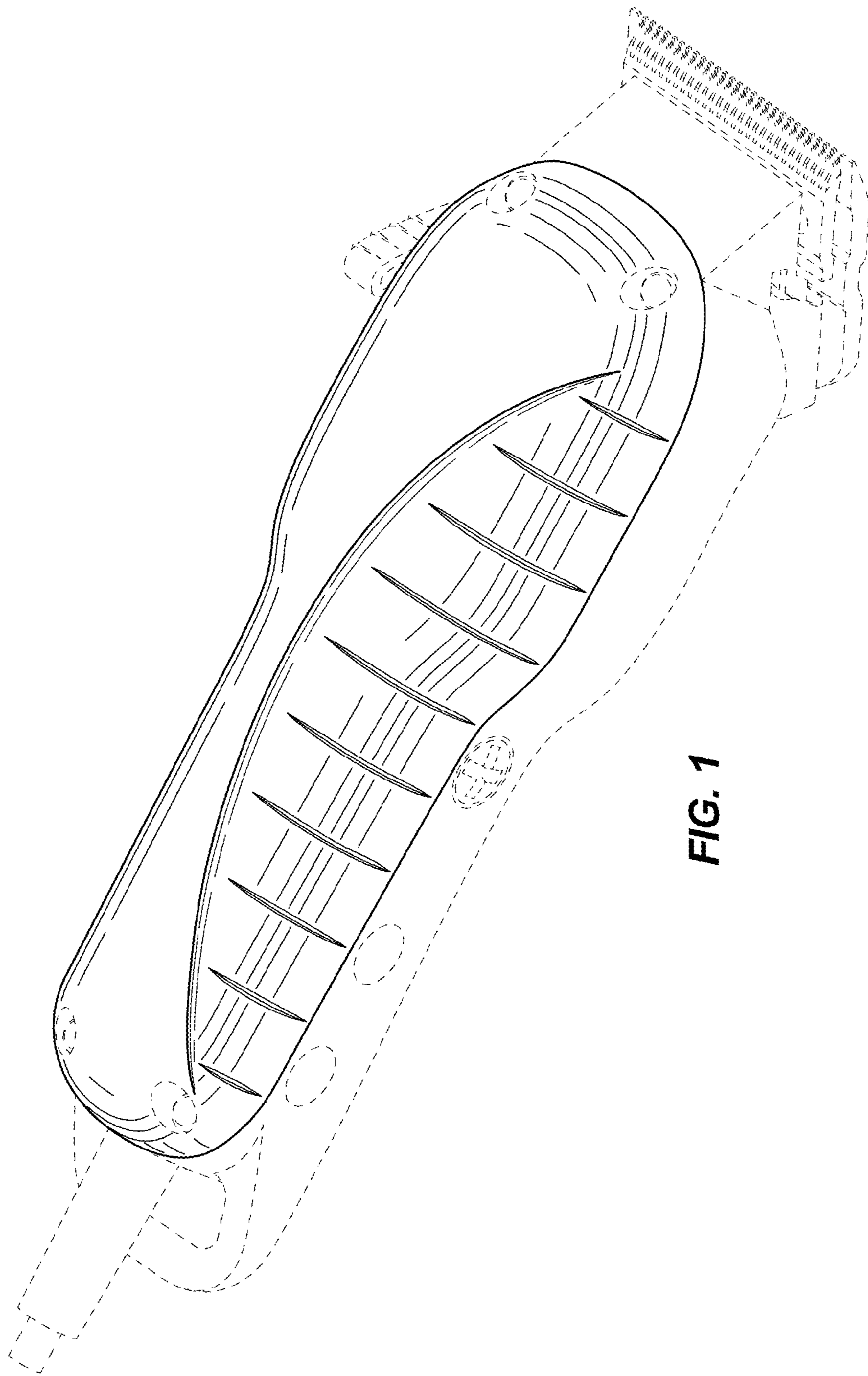


FIG. 1

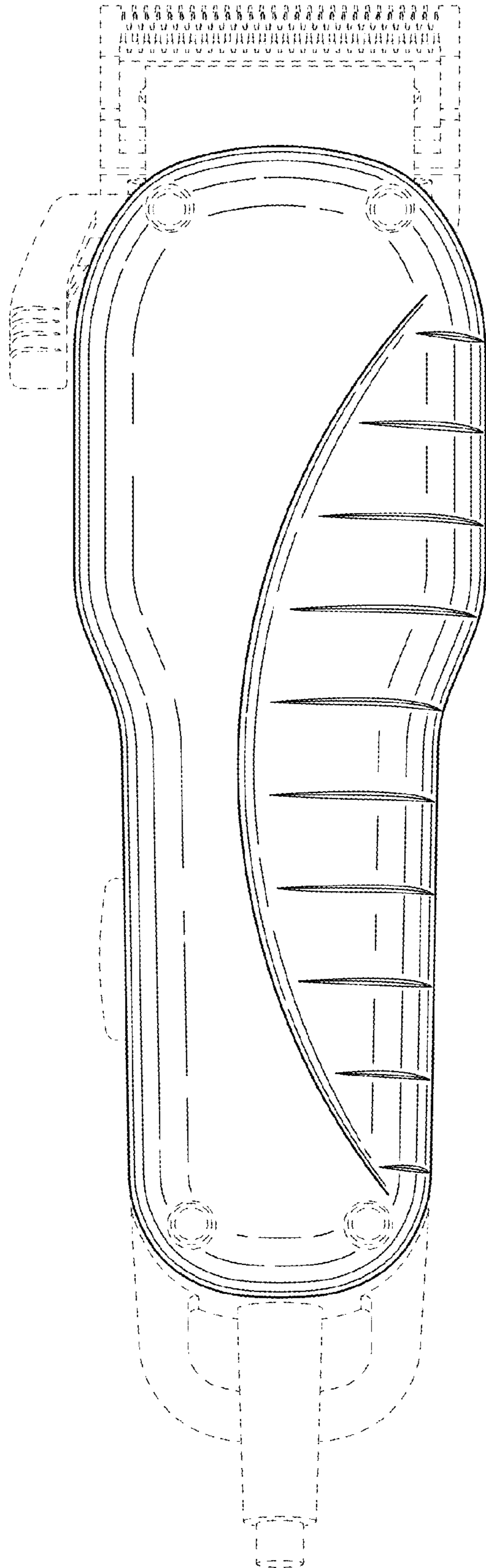


FIG. 2

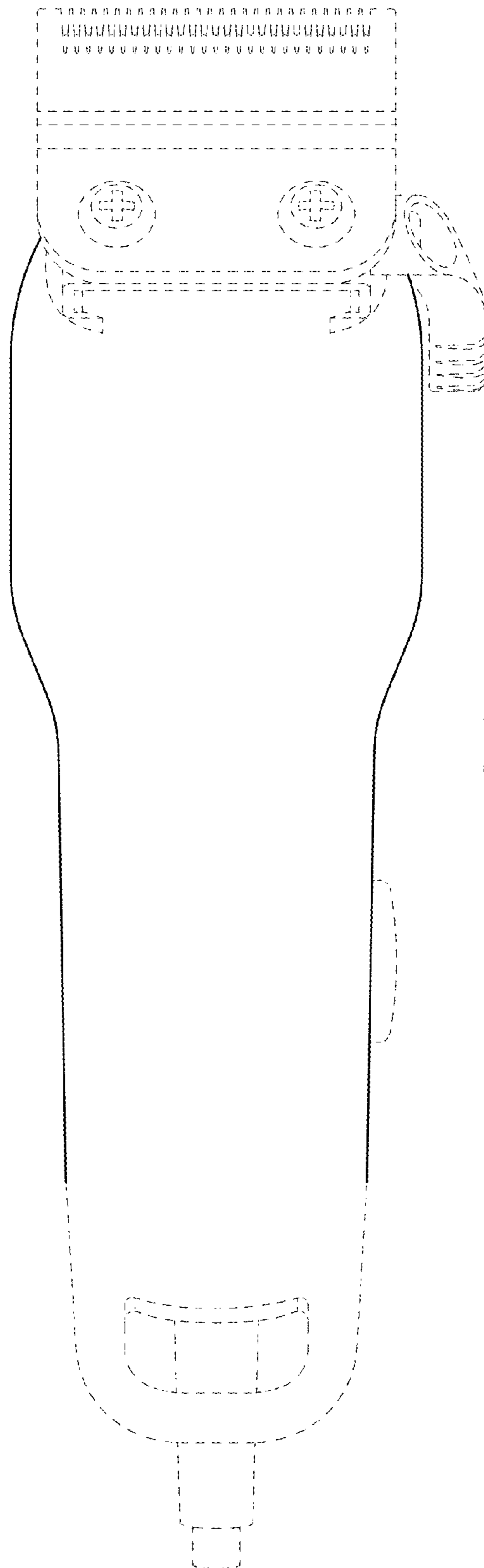


FIG. 3

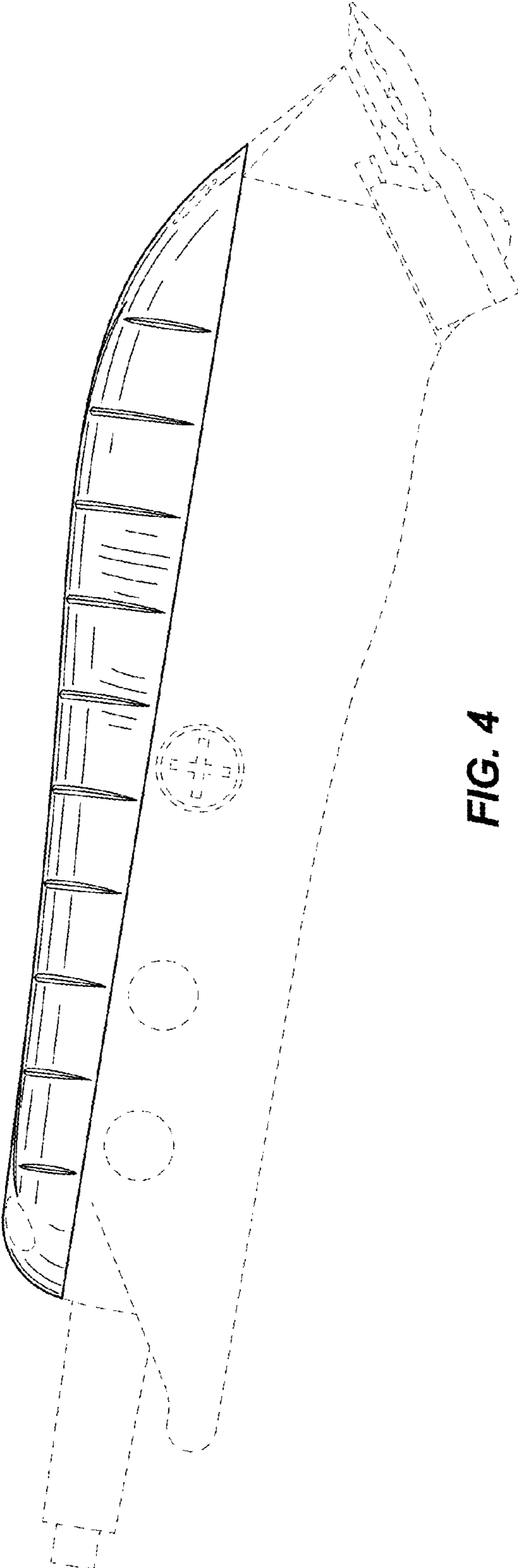


FIG. 4

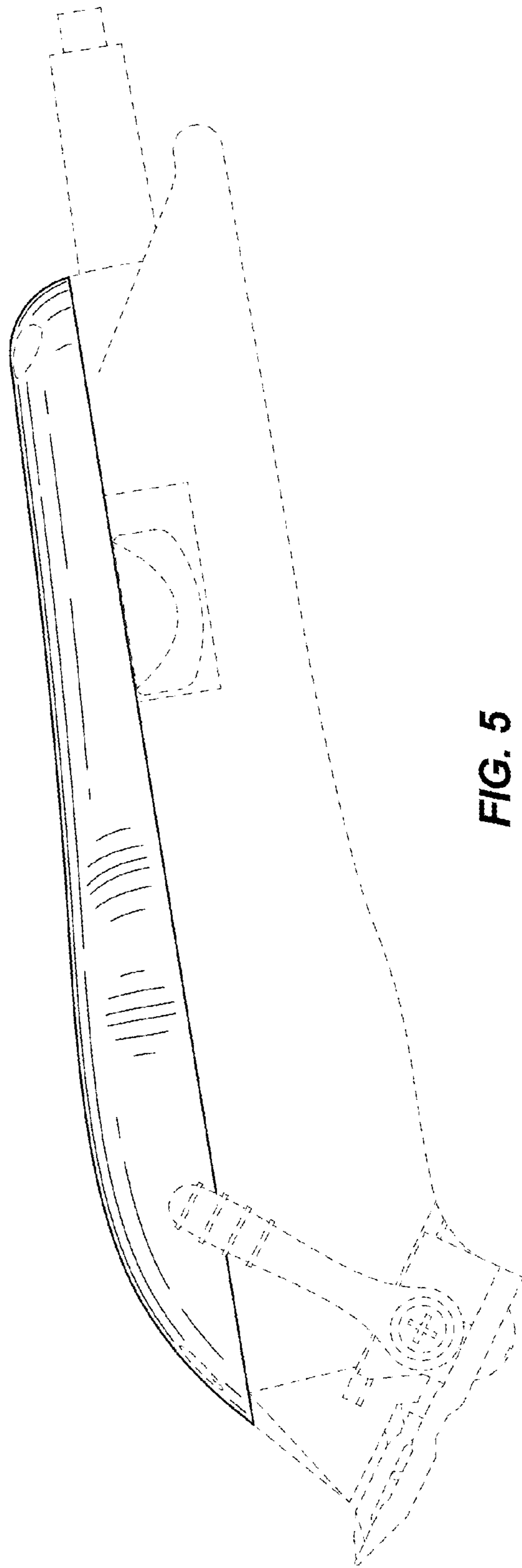


FIG. 5

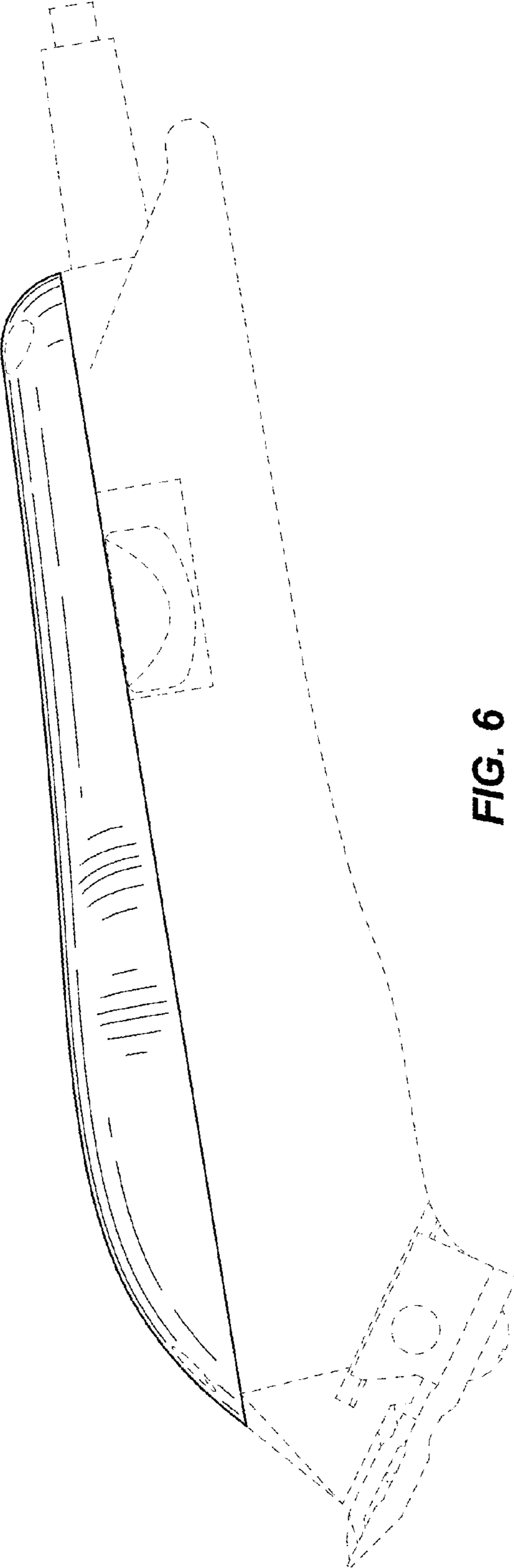


FIG. 6

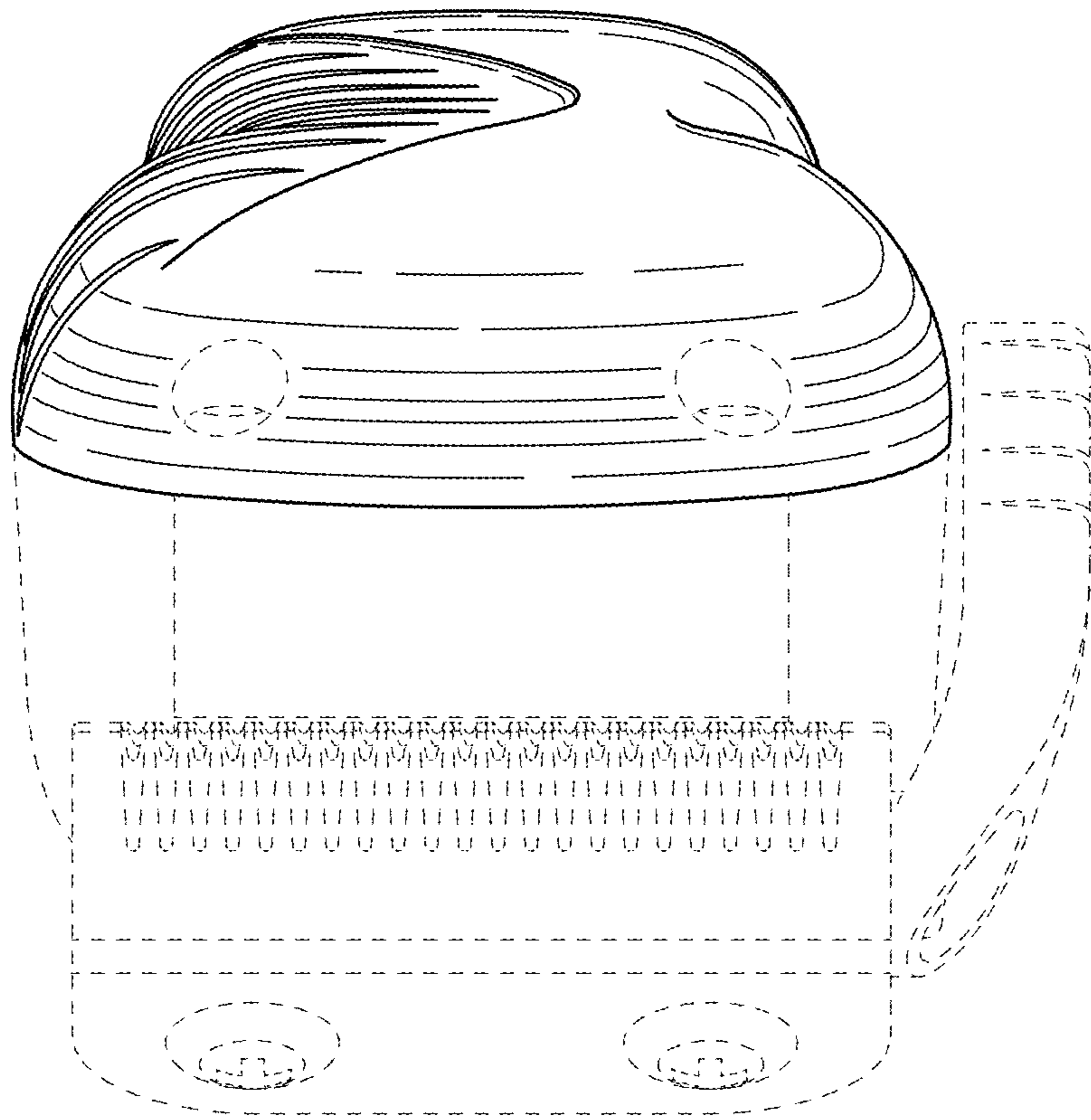


FIG. 7

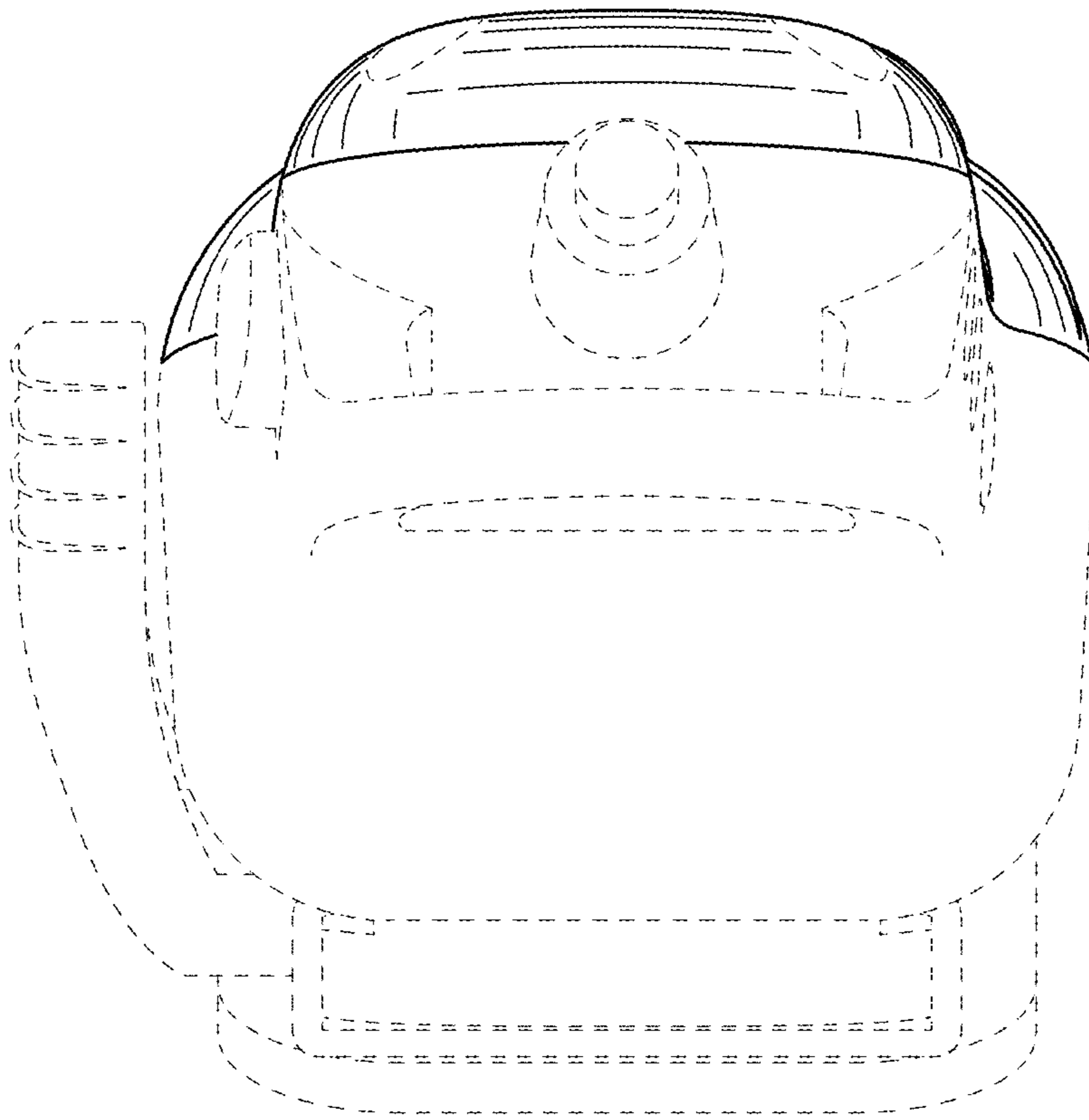


FIG. 8