



US00D683898S

(12) **United States Design Patent**
Liu

(10) **Patent No.:** **US D683,898 S**
(45) **Date of Patent:** **** Jun. 4, 2013**

(54) **CHARGING ELECTRONIC CIGARETTE CASE**

(76) Inventor: **Qiuming Liu, Shenzhen (CN)**

(**) Term: **14 Years**

(21) Appl. No.: **29/430,336**

(22) Filed: **Aug. 23, 2012**

(51) **LOC (9) Cl.** **27-06**

(52) **U.S. Cl.**
USPC **D27/189; D13/108**

(58) **Field of Classification Search**
USPC D13/107–110, 118–119, 184, 199; D14/217,
D14/251, 253, 432, 434; 320/107–115;
D27/172, 183, 184, 186–191, 193; 206/236,
206/242, 259, 261–270
See application file for complete search history.

(56) **References Cited**

U.S. PATENT DOCUMENTS

323,027 A *	7/1885	Ducker	220/326
3,424,123 A *	1/1969	Giffard	116/2
D273,660 S *	5/1984	Weinberg	D9/721
4,862,431 A *	8/1989	Drouin	368/10
D412,487 S *	8/1999	Nagele et al.	D13/108
D432,263 S *	10/2000	Issa	D27/191
D446,601 S *	8/2001	Fisher et al.	D27/129
D472,012 S *	3/2003	South	D27/105
D485,939 S *	1/2004	Draghetti et al.	D27/189
D591,898 S *	5/2009	McKenzie et al.	D27/187
D609,398 S *	2/2010	Hearn	D27/189
D610,303 S *	2/2010	Valle	D27/189
D613,903 S *	4/2010	Wu et al.	D27/189
D634,892 S *	3/2011	Hein	D27/189
D656,094 S *	3/2012	Wu	D13/108
D671,677 S *	11/2012	Wu	D27/189
D671,678 S *	11/2012	Wu	D27/189
D677,000 S *	2/2013	Liu	D27/189
D677,001 S *	2/2013	Liu	D27/189
2003/0106928 A1 *	6/2003	Li Vigni et al.	229/146

* cited by examiner

Primary Examiner — Rosemary K Tarcza

(74) *Attorney, Agent, or Firm* — Cheng-Ju Chiang

(57) **CLAIM**
The ornamental design for a “charging electronic cigarette case,” as shown and described.

DESCRIPTION

FIG. 1 is a rear, top and left side perspective view of a charging electronic cigarette case with a lid closed showing my new design;

FIG. 2 is a front, bottom and left side perspective view thereof;

FIG. 3 is a front elevational view thereof;

FIG. 4 is a rear elevational view thereof;

FIG. 5 is a left side elevational view thereof;

FIG. 6 is a right side elevational view thereof;

FIG. 7 is a top plan view thereof;

FIG. 8 is a bottom plan view thereof;

FIG. 9 is a front, top and right side perspective view of the charging electronic cigarette case with the lid open and electronic cigarettes therein;

FIG. 10 is a front, top, right and bottom side perspective view of the charging electronic cigarette case with the lid open and electronic cigarettes therein;

FIG. 11 is a front elevational view of the charging electronic cigarette case with the lid open and electronic cigarettes therein;

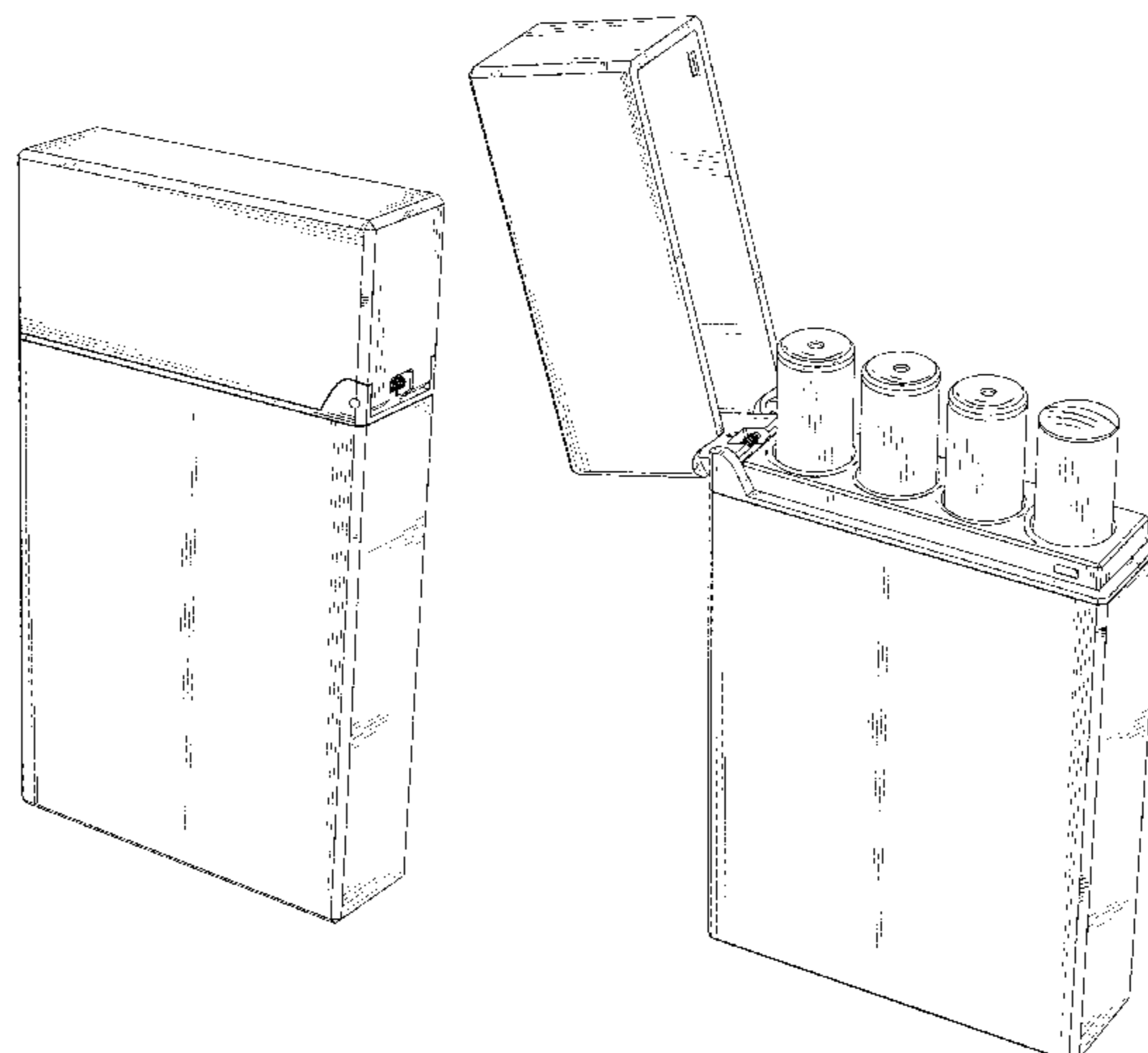
FIG. 12 is a rear elevational view of the charging electronic cigarette case with the lid open and electronic cigarettes therein;

FIG. 13 is a left side elevational view of the charging electronic cigarette case with the lid open and electronic cigarettes therein;

FIG. 14 is a right side elevational view of the charging electronic cigarette case with the lid open and electronic cigarettes therein;

FIG. 15 is a top plan view of the charging electronic cigarette case with the lid open and electronic cigarettes therein; and, FIG. 16 is a bottom plan view of the charging electronic cigarette case with the lid open and electronic cigarettes therein.

1 Claim, 14 Drawing Sheets



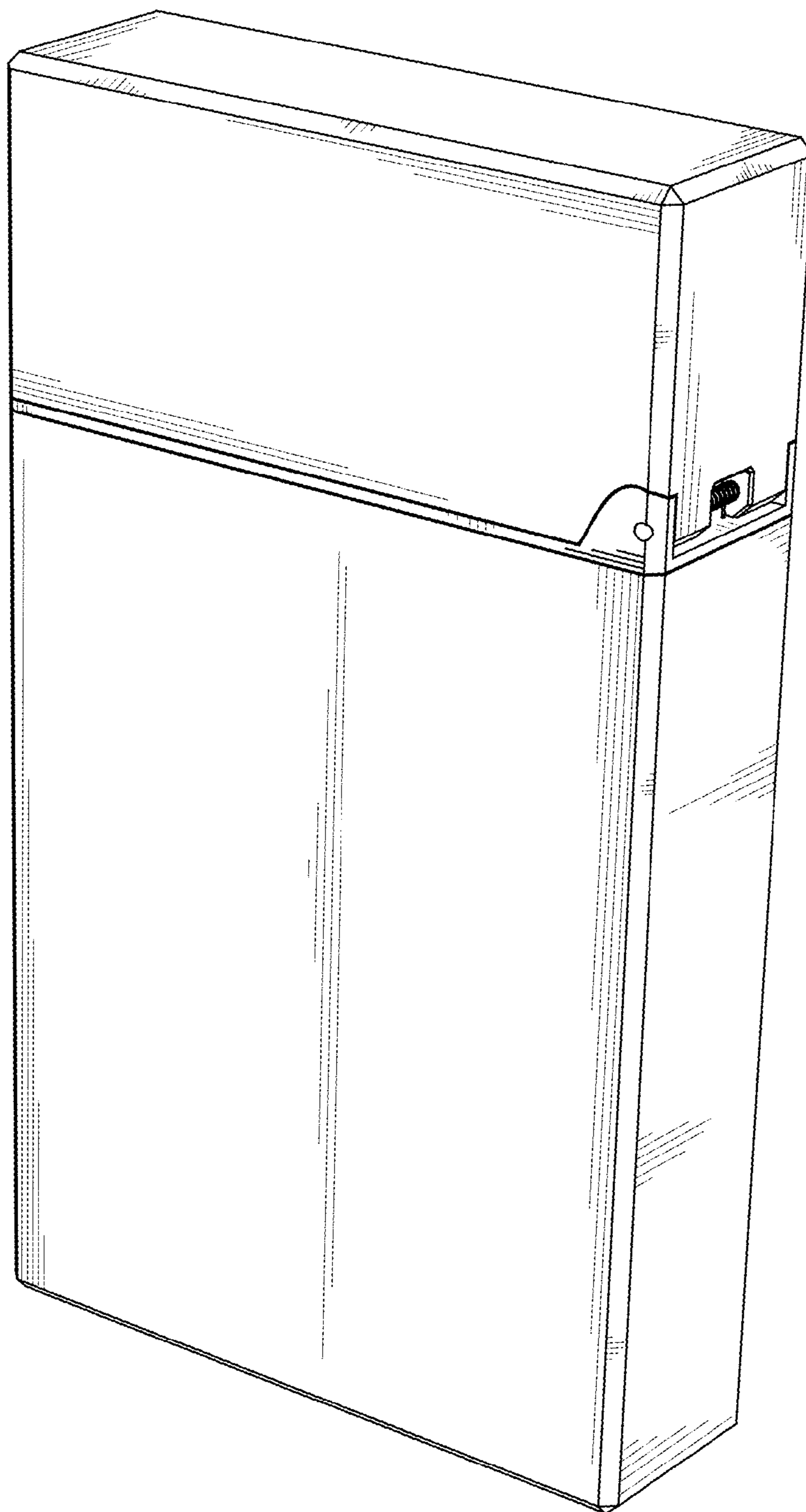


FIG. 1

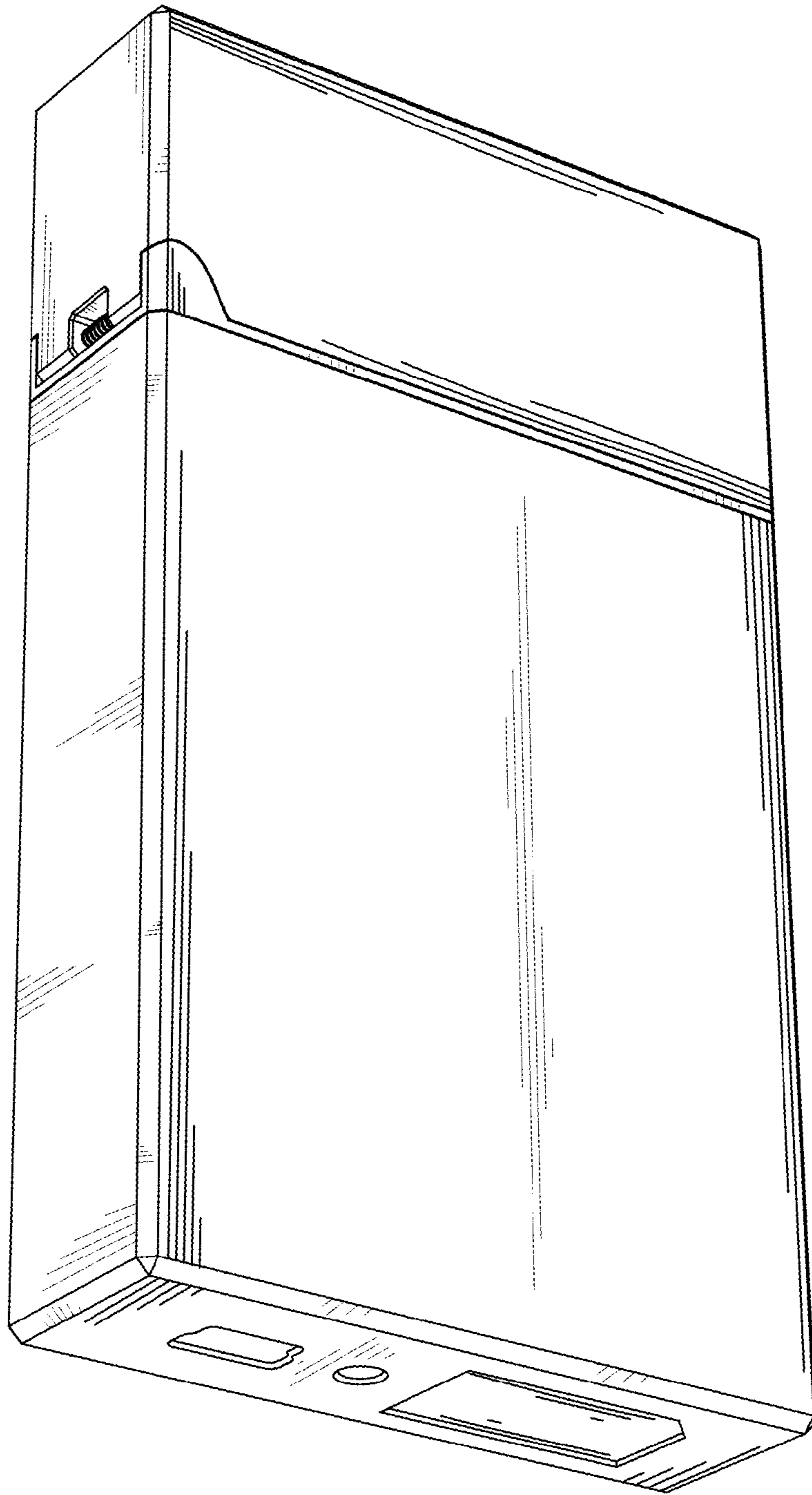


FIG. 2

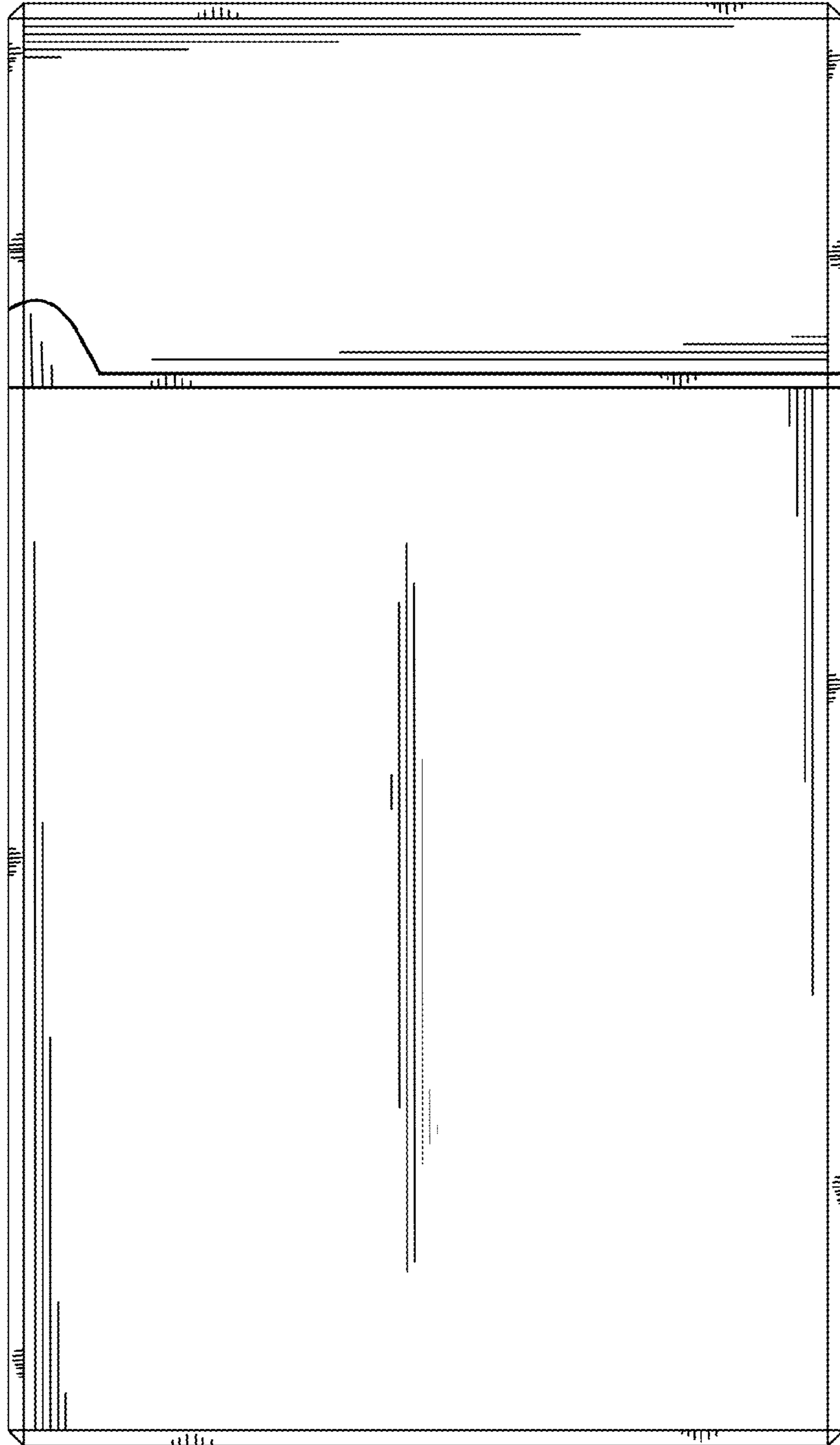


FIG. 3

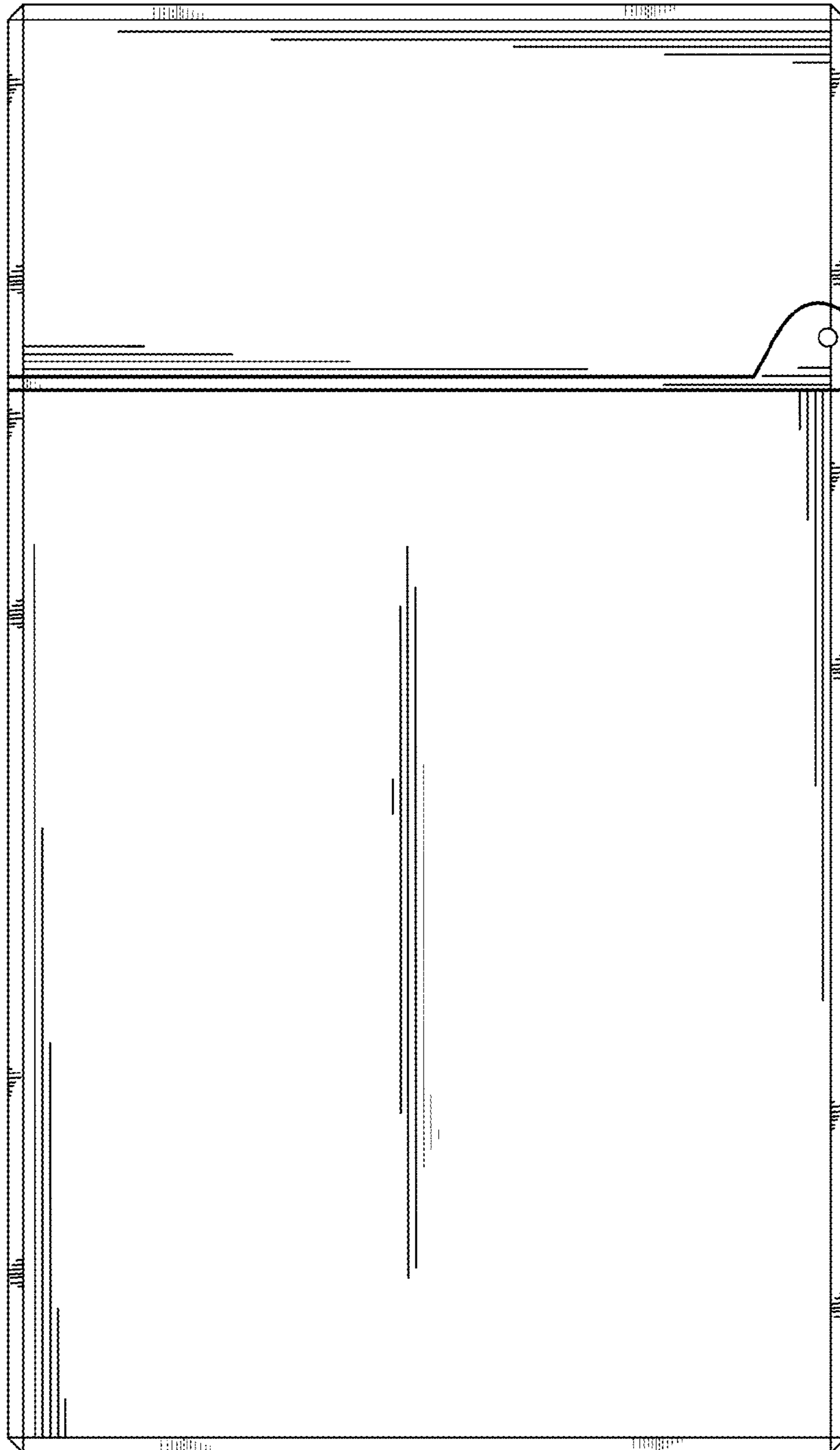


FIG. 4

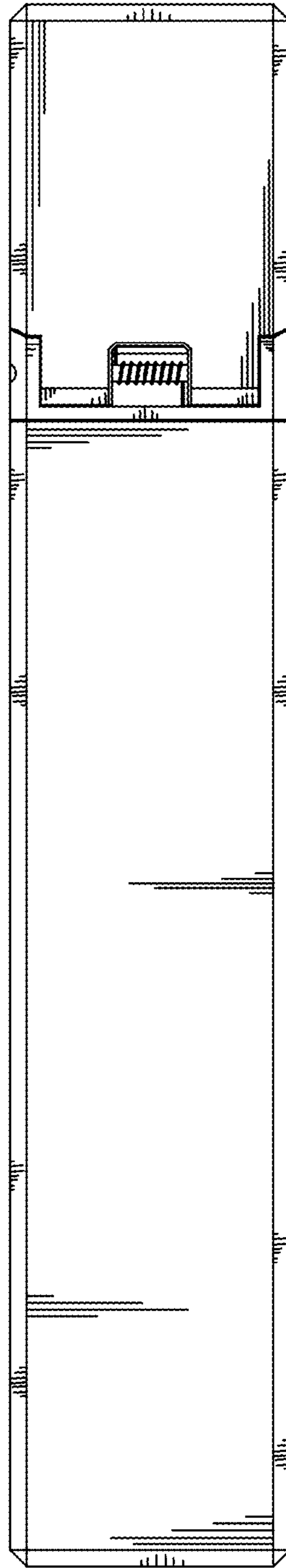


FIG. 5

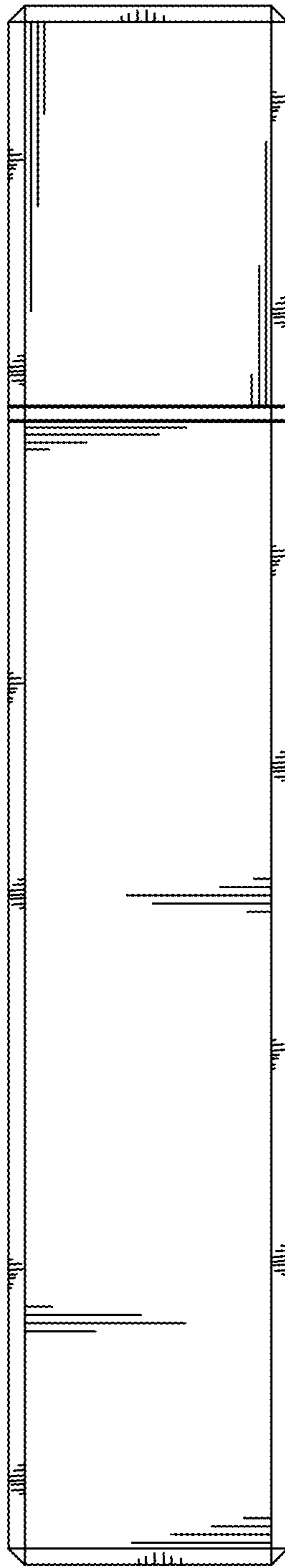


FIG. 6

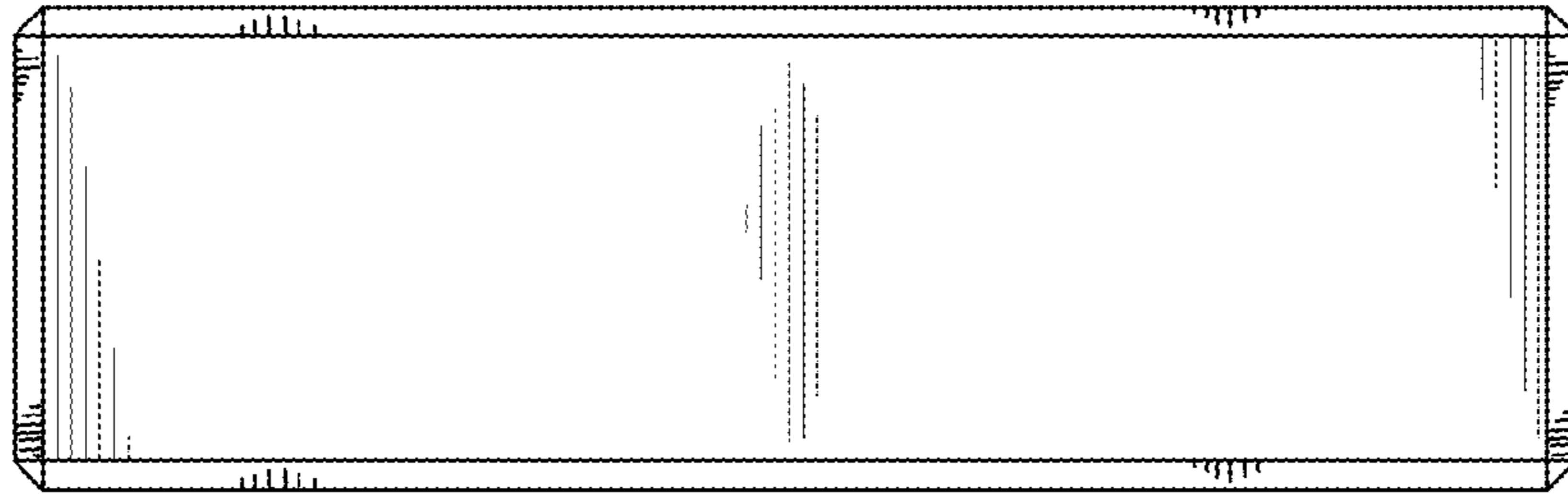


FIG. 7

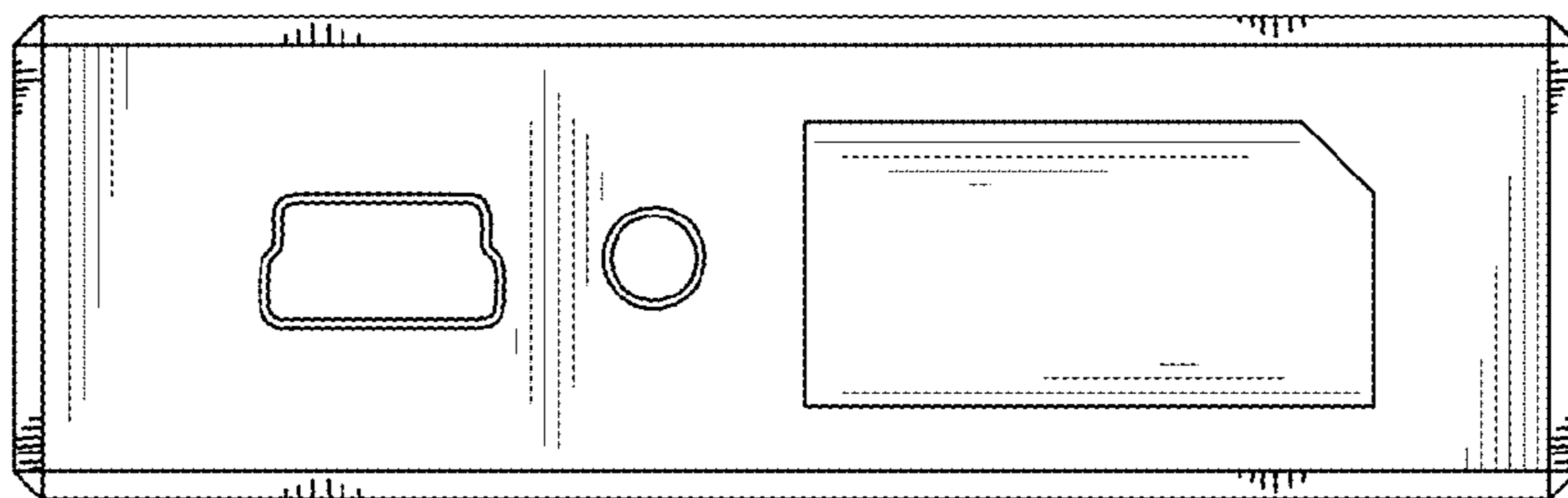


FIG. 8

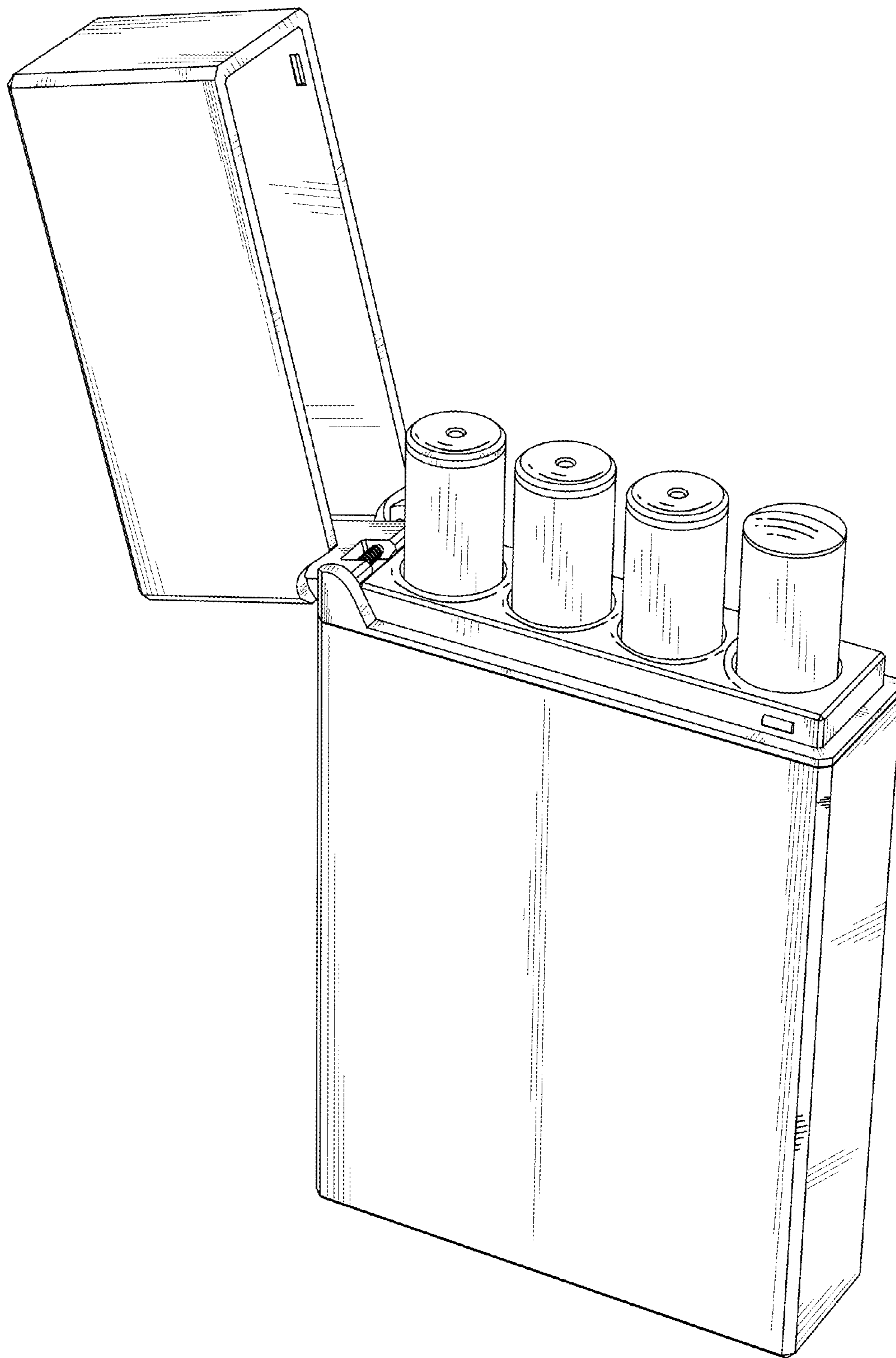


FIG. 9

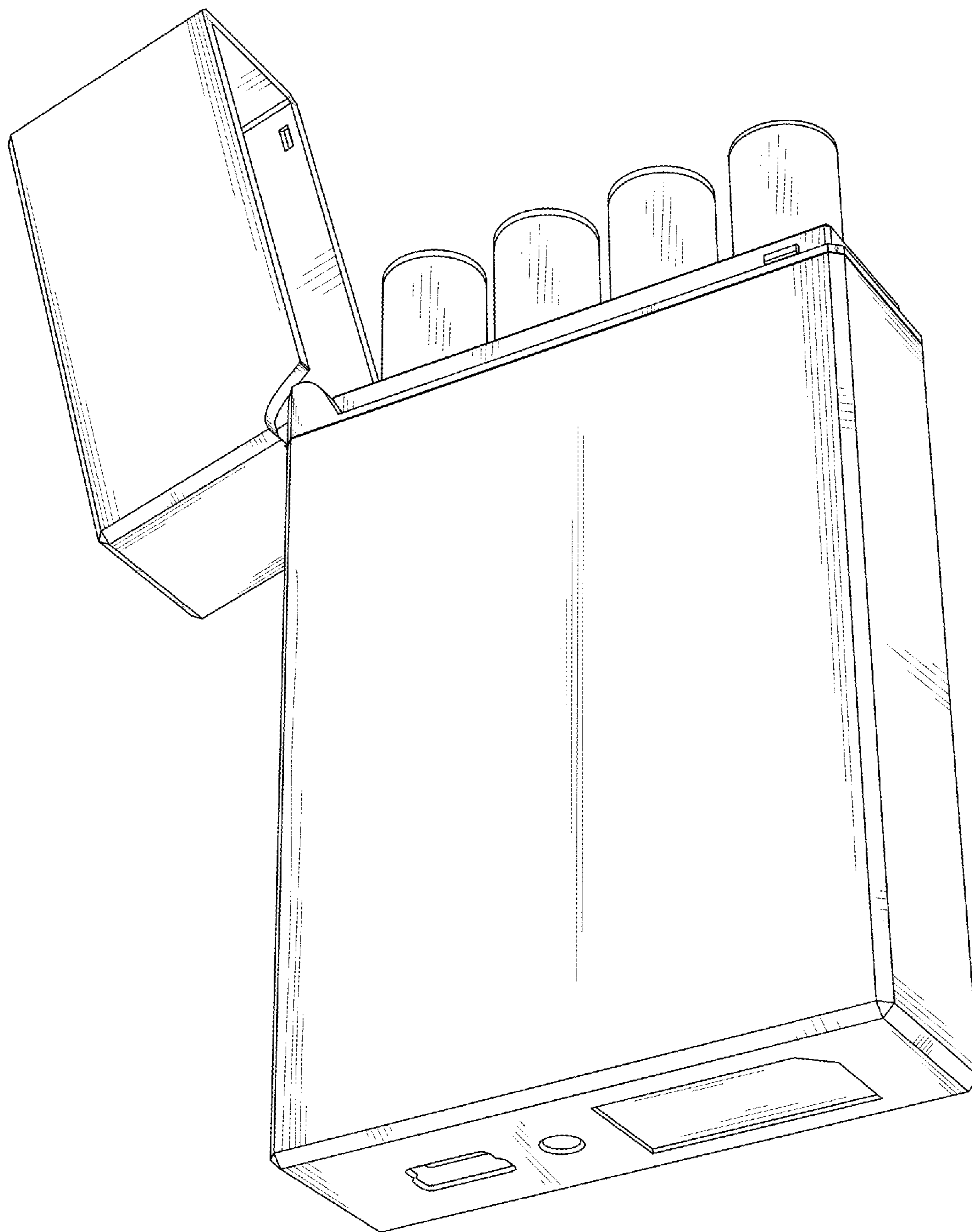


FIG. 10

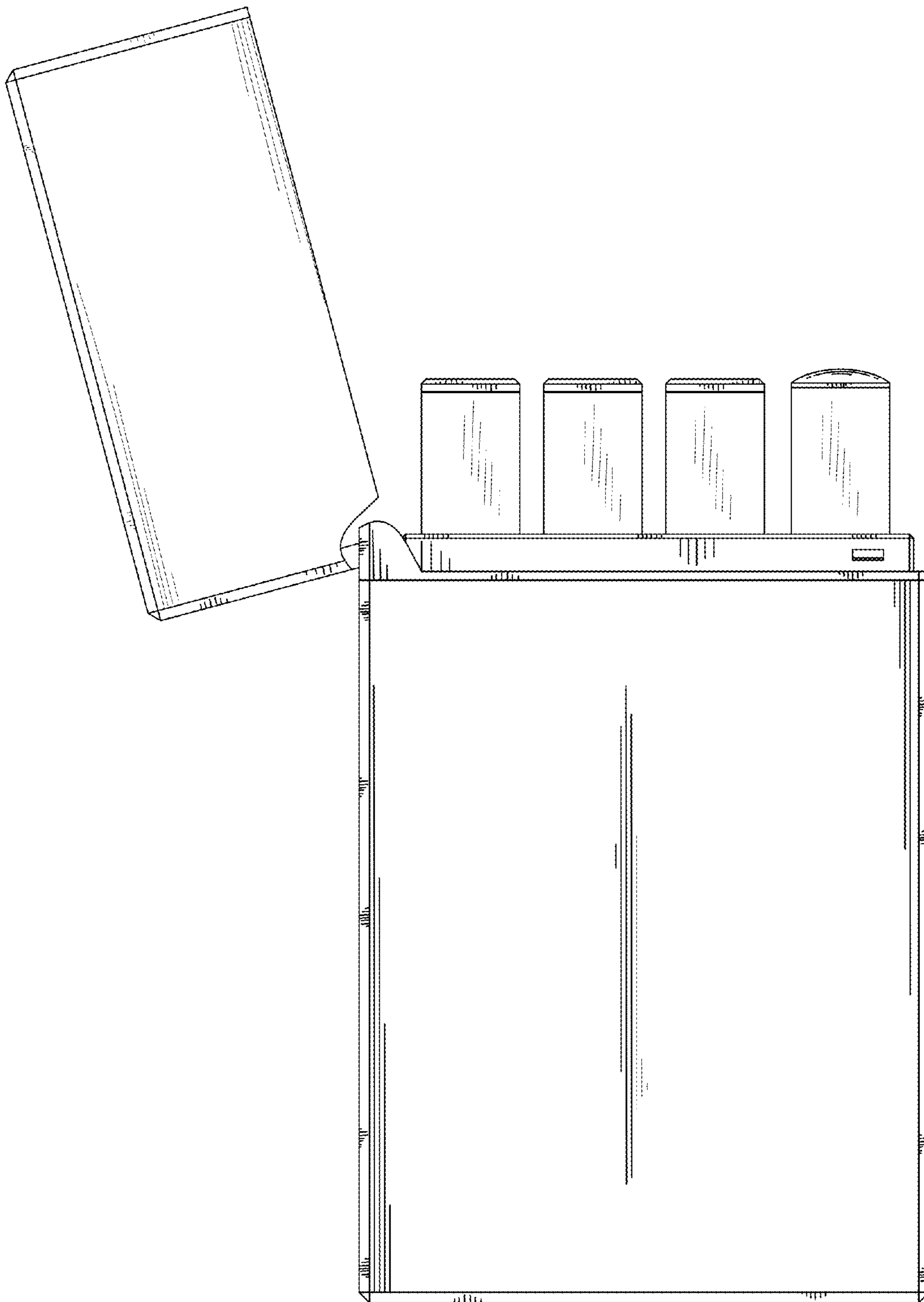


FIG. 11

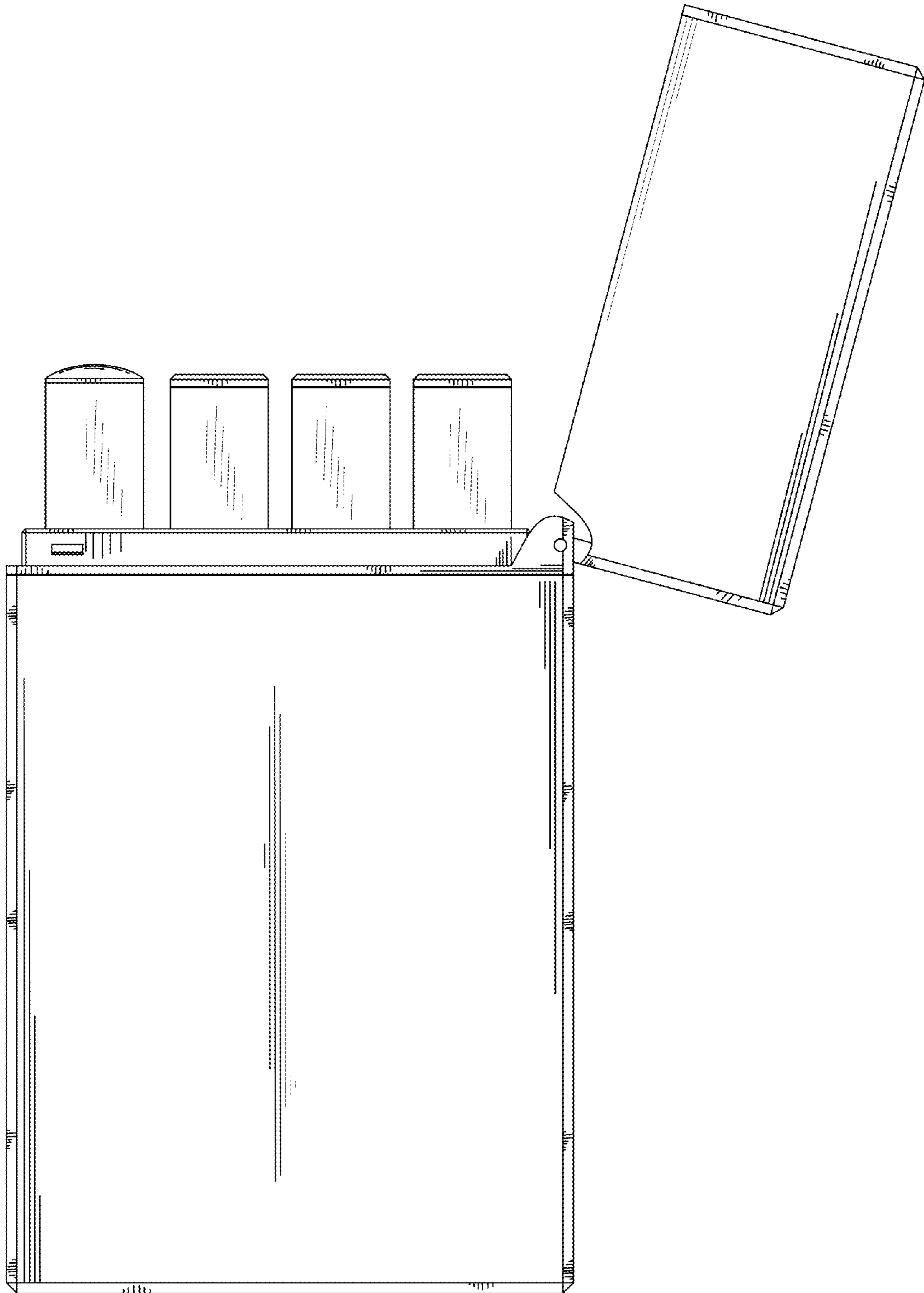


FIG. 12

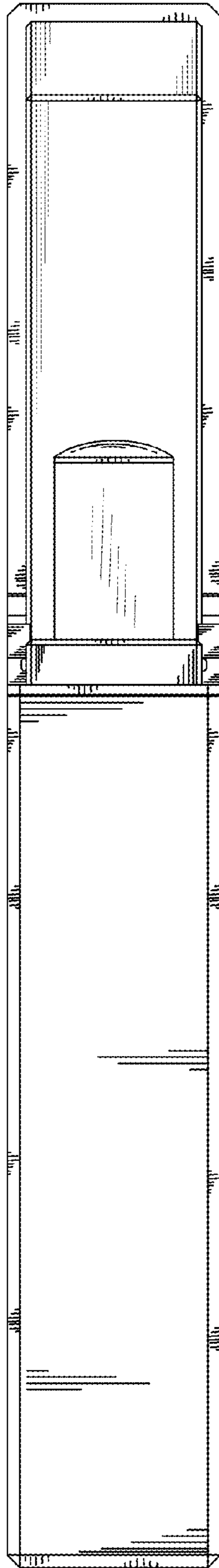


FIG. 13

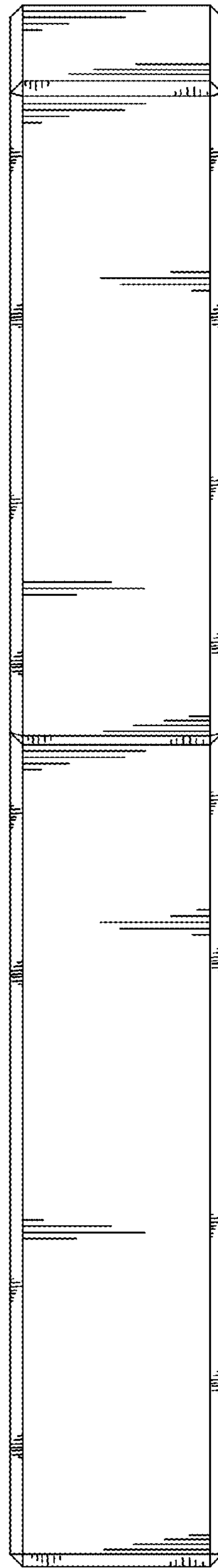


FIG. 14

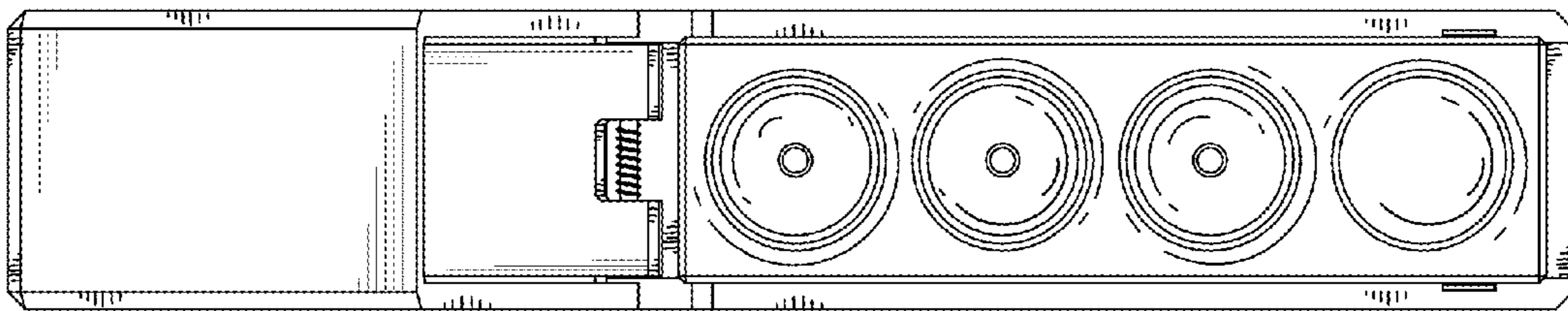


FIG. 15

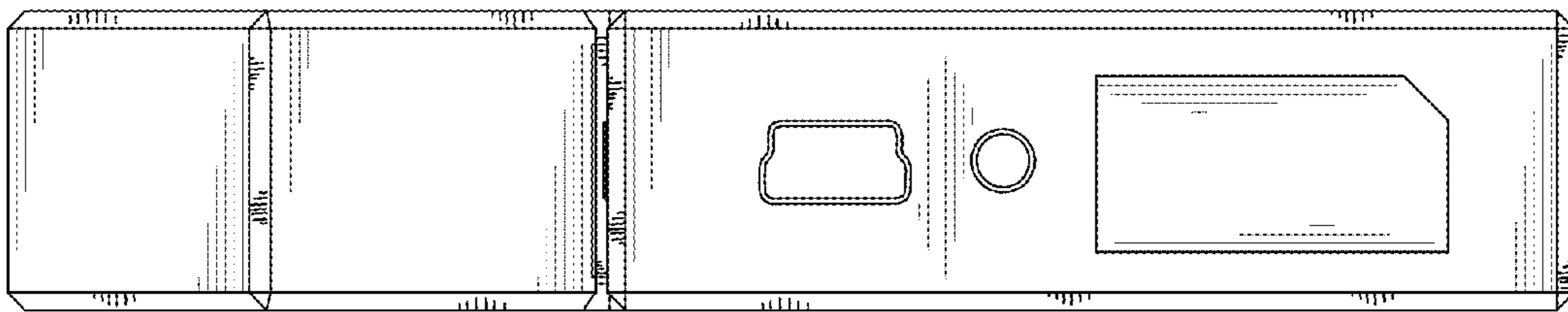


FIG. 16