



US00D683895S

(12) **United States Design Patent**  
**Platto et al.**

(10) **Patent No.:** **US D683,895 S**  
(45) **Date of Patent:** **\*\* Jun. 4, 2013**

(54) **VEHICLE FOGLIGHT BEZEL**

D595,895 S \* 7/2009 Lamm ..... D26/139  
D604,893 S \* 11/2009 Woolley et al. .... D26/139  
D608,498 S \* 1/2010 Beigel et al. .... D26/139

(75) Inventors: **Gordon M. Platto**, Troy, MI (US); **Earl Clyde Lucas**, Brentwood (GB); **Rick Howard**, Brighton, MI (US); **Dong Park**, Royal Oak, MI (US)

\* cited by examiner

(73) Assignee: **Ford Motor Company**, Dearborn, MI (US)

*Primary Examiner* — Marcus Jackson

(74) *Attorney, Agent, or Firm* — Damian Porcari

(\*\*) Term: **14 Years**

(57) **CLAIM**

The ornamental design for a vehicle foglight bezel, as shown and described.

(21) Appl. No.: **29/411,617**

(22) Filed: **Jan. 24, 2012**

**DESCRIPTION**

(51) **LOC (9) Cl.** ..... **26-99**

FIG. 1 is a left side elevational view of a left vehicle foglight bezel (the right vehicle foglight bezel being a mirror image and is not shown);

(52) **U.S. Cl.**

USPC ..... **D26/139**

FIG. 2 is a right side elevational view of the vehicle foglight bezel;

(58) **Field of Classification Search**

USPC ..... D26/28-36, 139; 362/459-468, 475-478, 362/485-487

FIG. 3 is a front elevational view of the vehicle foglight bezel;

See application file for complete search history.

FIG. 4 is a top plan view of the vehicle foglight bezel;

FIG. 5 is a bottom plan view of the vehicle foglight bezel;

FIG. 6 is a perspective view of the vehicle foglight bezel; and, FIG. 7 is another perspective view of the vehicle foglight bezel.

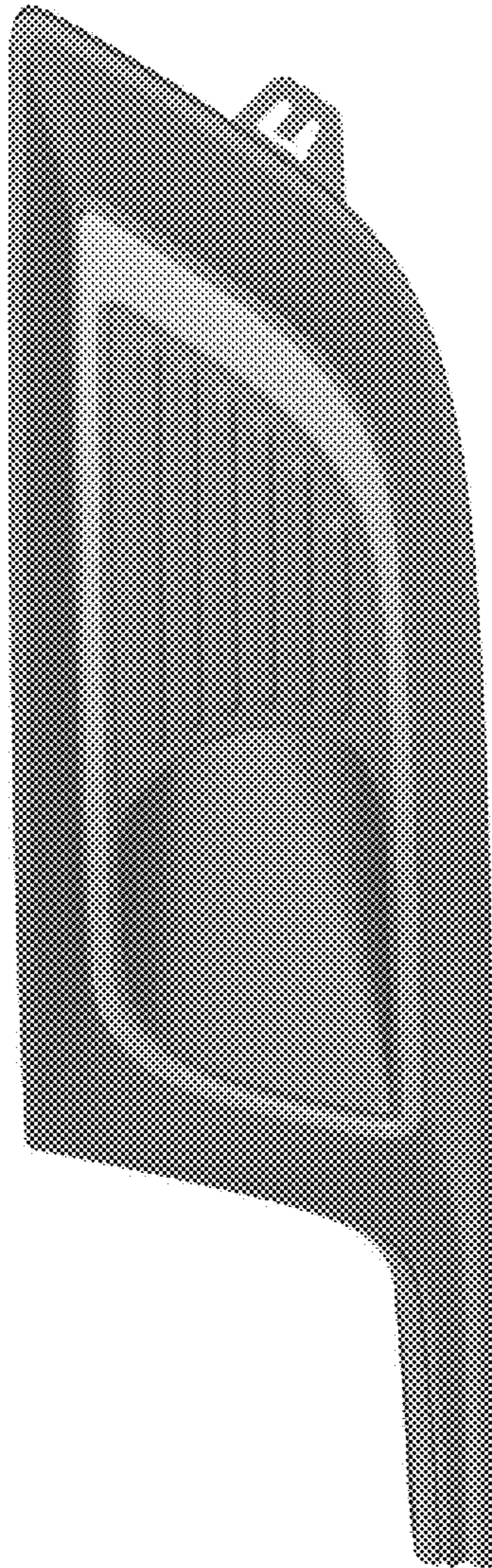
(56) **References Cited**

**U.S. PATENT DOCUMENTS**

D421,817 S \* 3/2000 Tucker et al. .... D26/139  
D576,765 S \* 9/2008 Song et al. .... D26/139

**1 Claim, 7 Drawing Sheets**





*Figure 1*

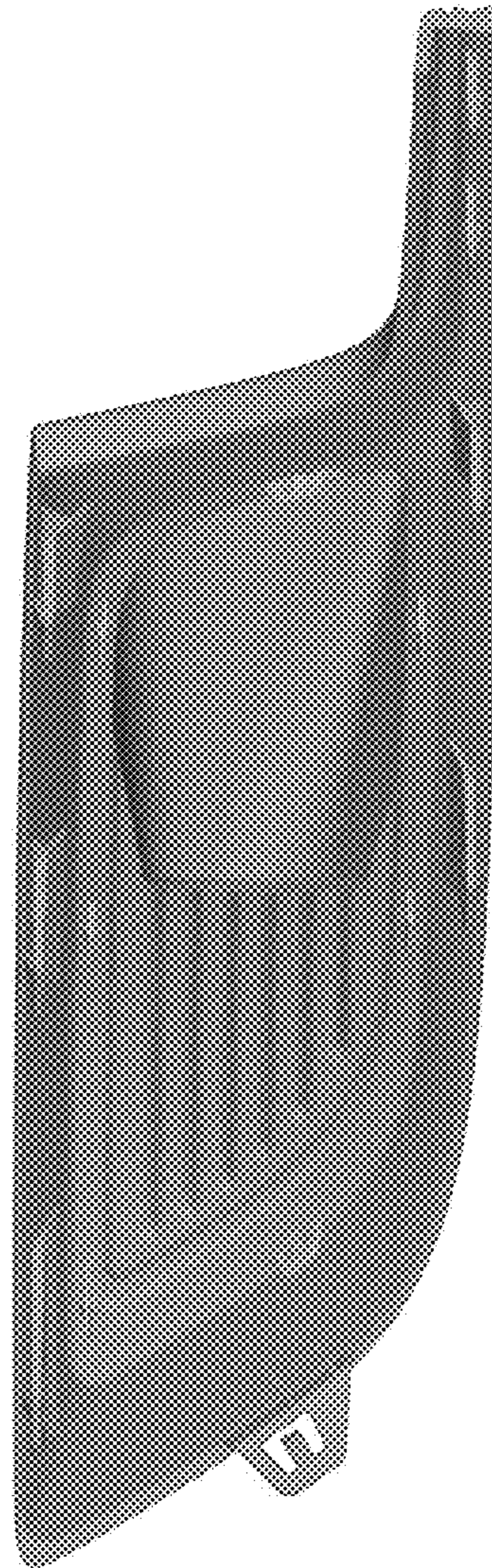
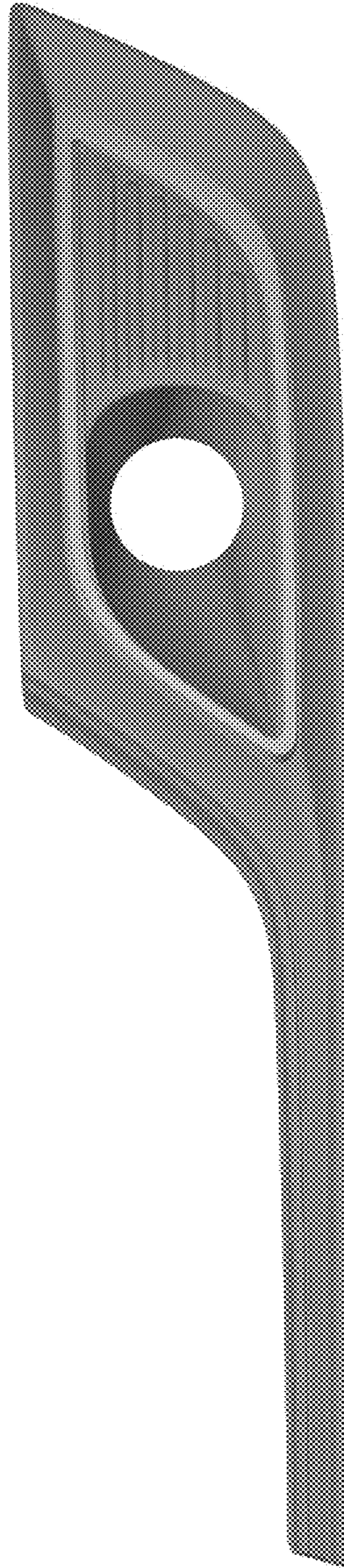


Figure 2



*Figure 3*

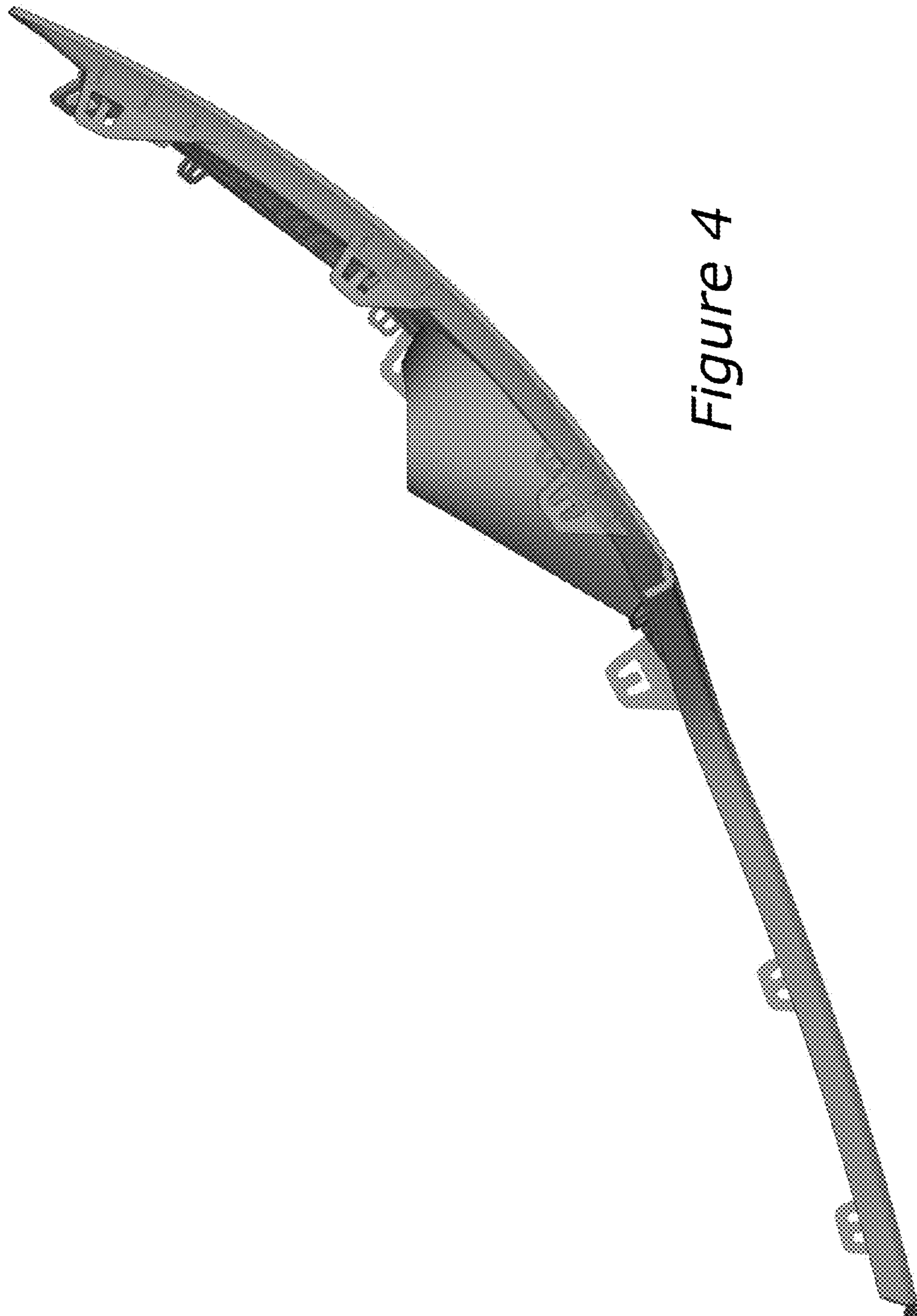
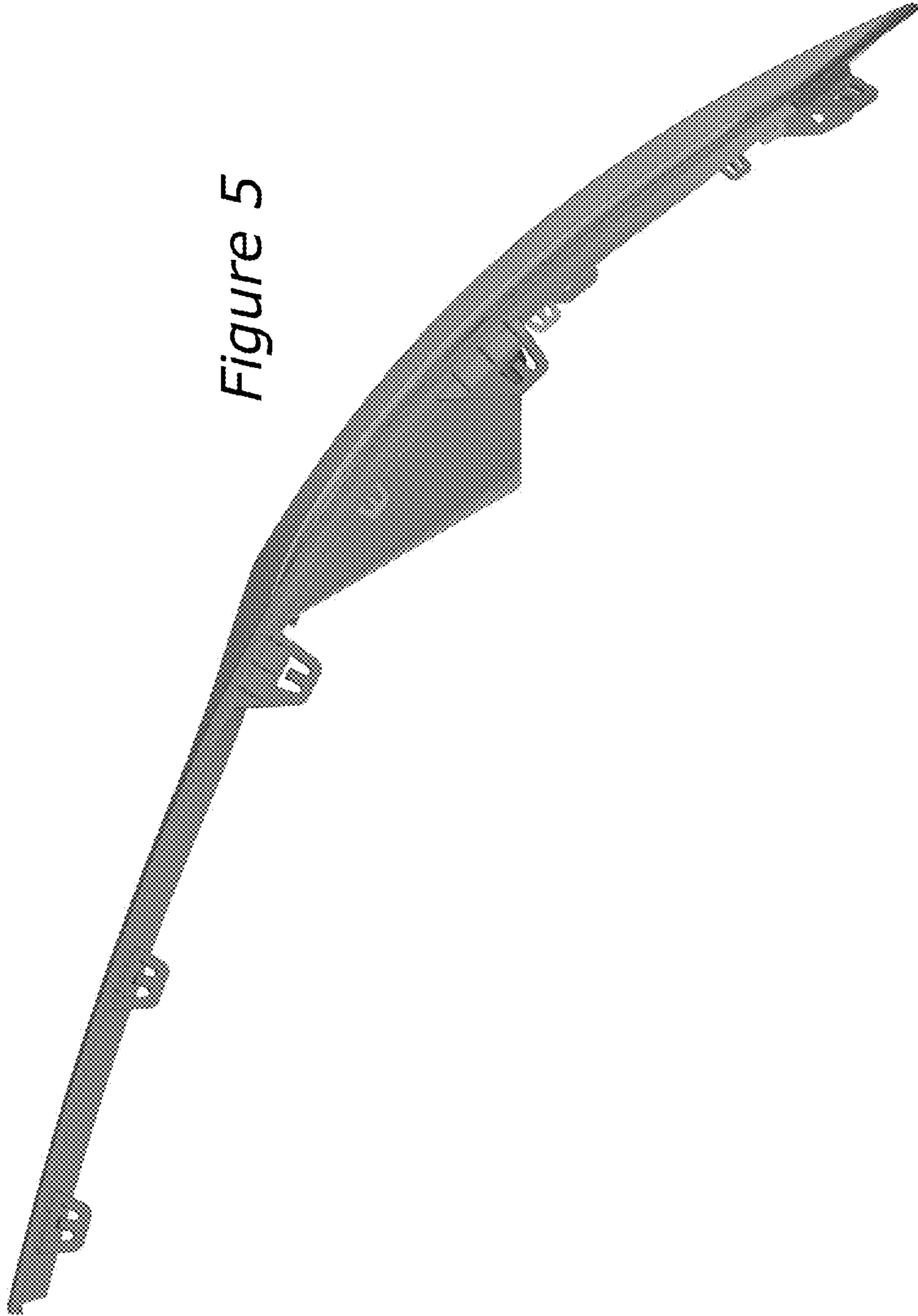


Figure 4

Figure 5



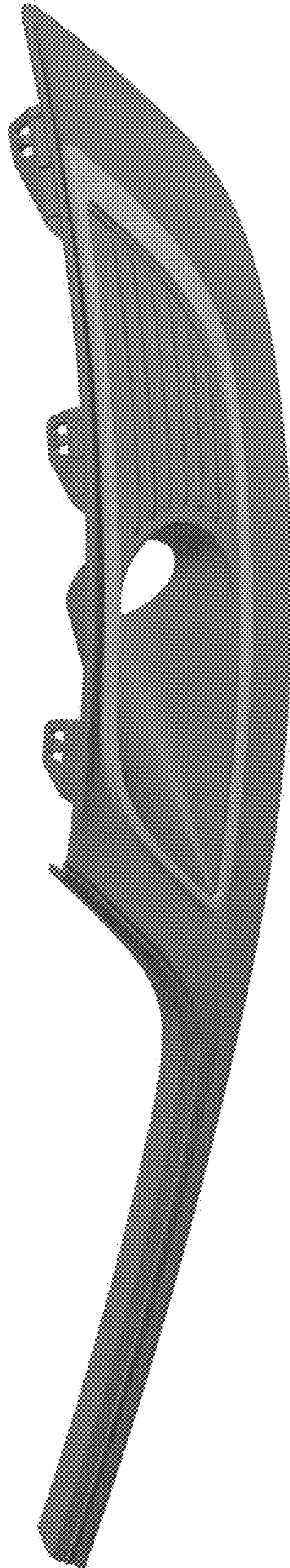


Figure 6

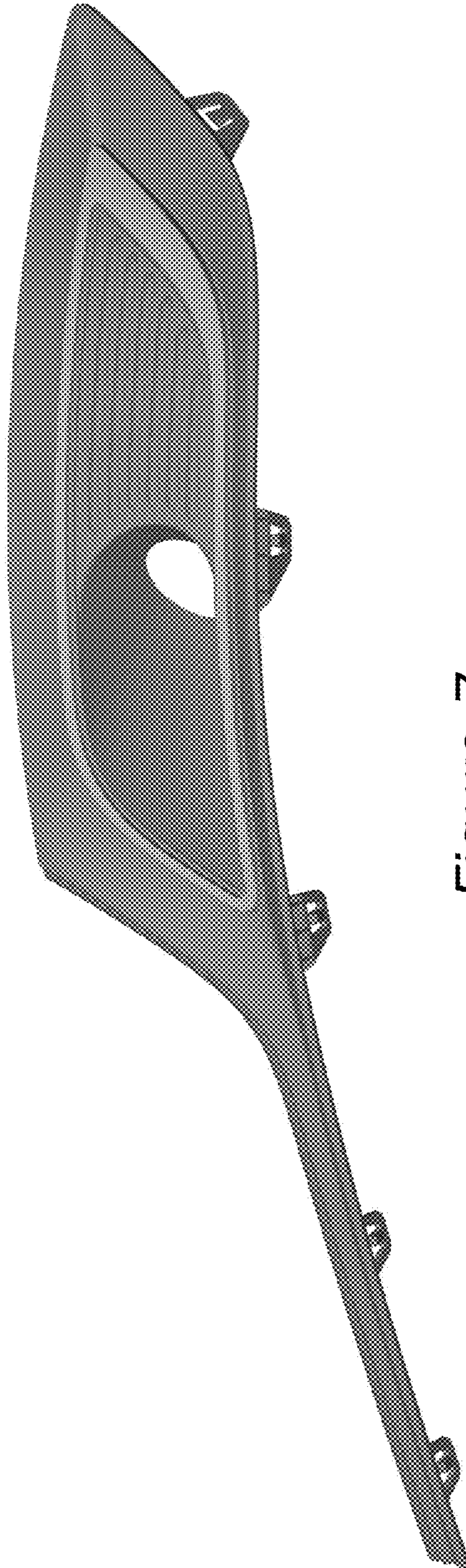


Figure 7