



US00D683893S

(12) **United States Design Patent**
Ransvi

(10) **Patent No.:** **US D683,893 S**

(45) **Date of Patent:** **** Jun. 4, 2013**

(54) **LED LIGHTING STRIP MOUNT**

(56) **References Cited**

(75) **Inventor:** **Kaj Ransvi**, Vellinge (SE)

U.S. PATENT DOCUMENTS

(73) **Assignee:** **Multilist Sweden AB**, Vellinge (SE)

RE37,113 E *	3/2001	Shimada	362/146
7,217,004 B2 *	5/2007	Park et al.	362/240
D578,248 S *	10/2008	Lee et al.	D26/138
D578,705 S *	10/2008	Aberg et al.	D26/138
7,441,922 B2 *	10/2008	Huang et al.	362/235
2002/0141197 A1 *	10/2002	Petroski	362/373

(**) **Term:** **14 Years**

* cited by examiner

(21) **Appl. No.:** **29/409,083**

Primary Examiner — Doris Clark

(22) **Filed:** **Dec. 20, 2011**

(74) *Attorney, Agent, or Firm* — Fredrikson & Byron, P.A.

(51) **LOC (9) Cl.** **26-99**

(57) **CLAIM**

I claim the ornamental design for LED lighting strip mount, as shown and described.

(52) **U.S. Cl.**

DESCRIPTION

USPC **D26/138**

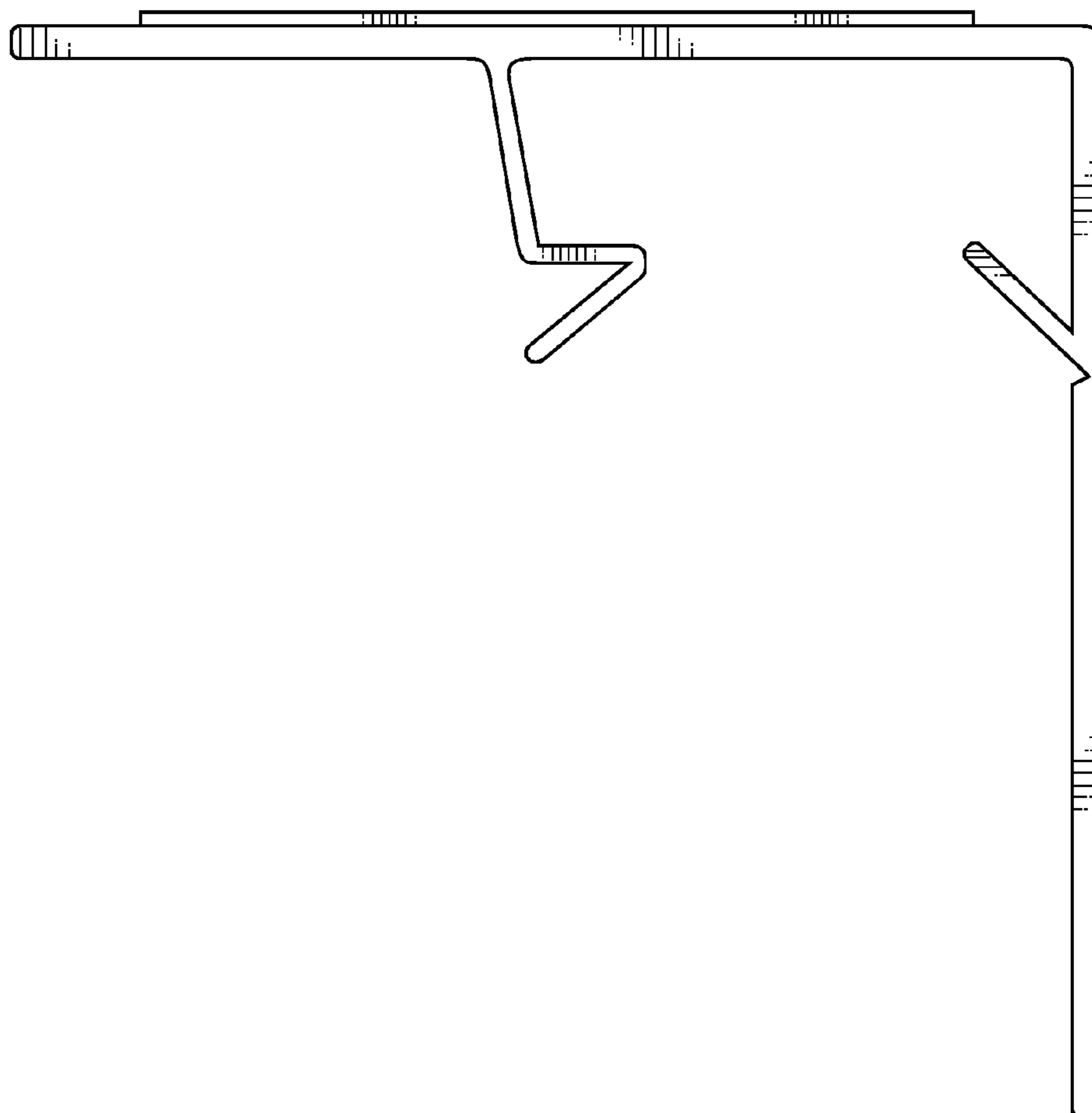
(58) **Field of Classification Search**

USPC D26/119, 138; 362/145, 146, 148,
362/150, 152, 153, 153.1, 217.1, 368, 800

FIG. 1 is a side view of my new design for a LED lighting strip mount, the opposite side view being a mirror image thereof; FIG. 2 is a rear perspective view thereof; and, FIG. 3 is a front perspective view thereof.

See application file for complete search history.

1 Claim, 3 Drawing Sheets



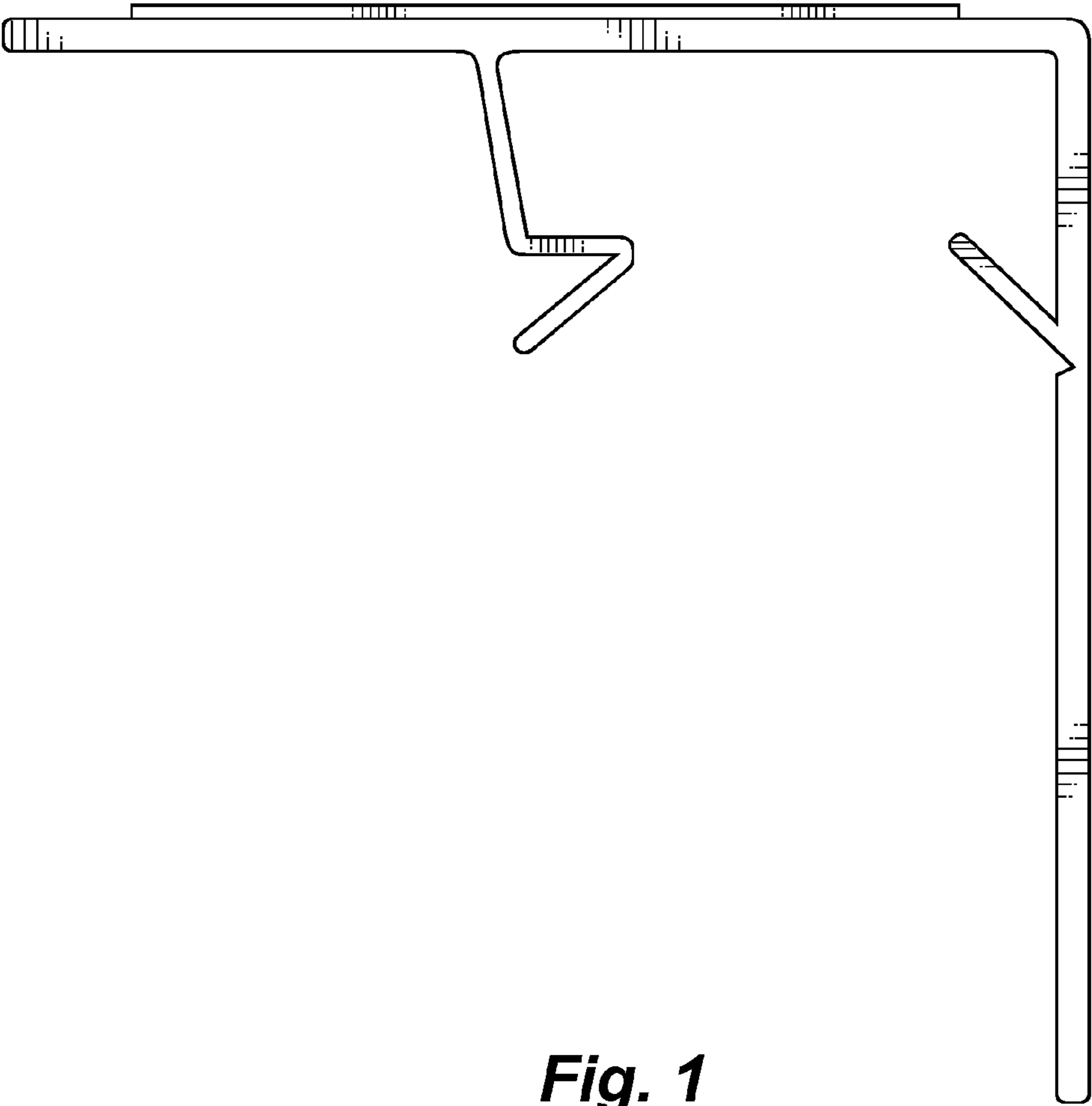


Fig. 1

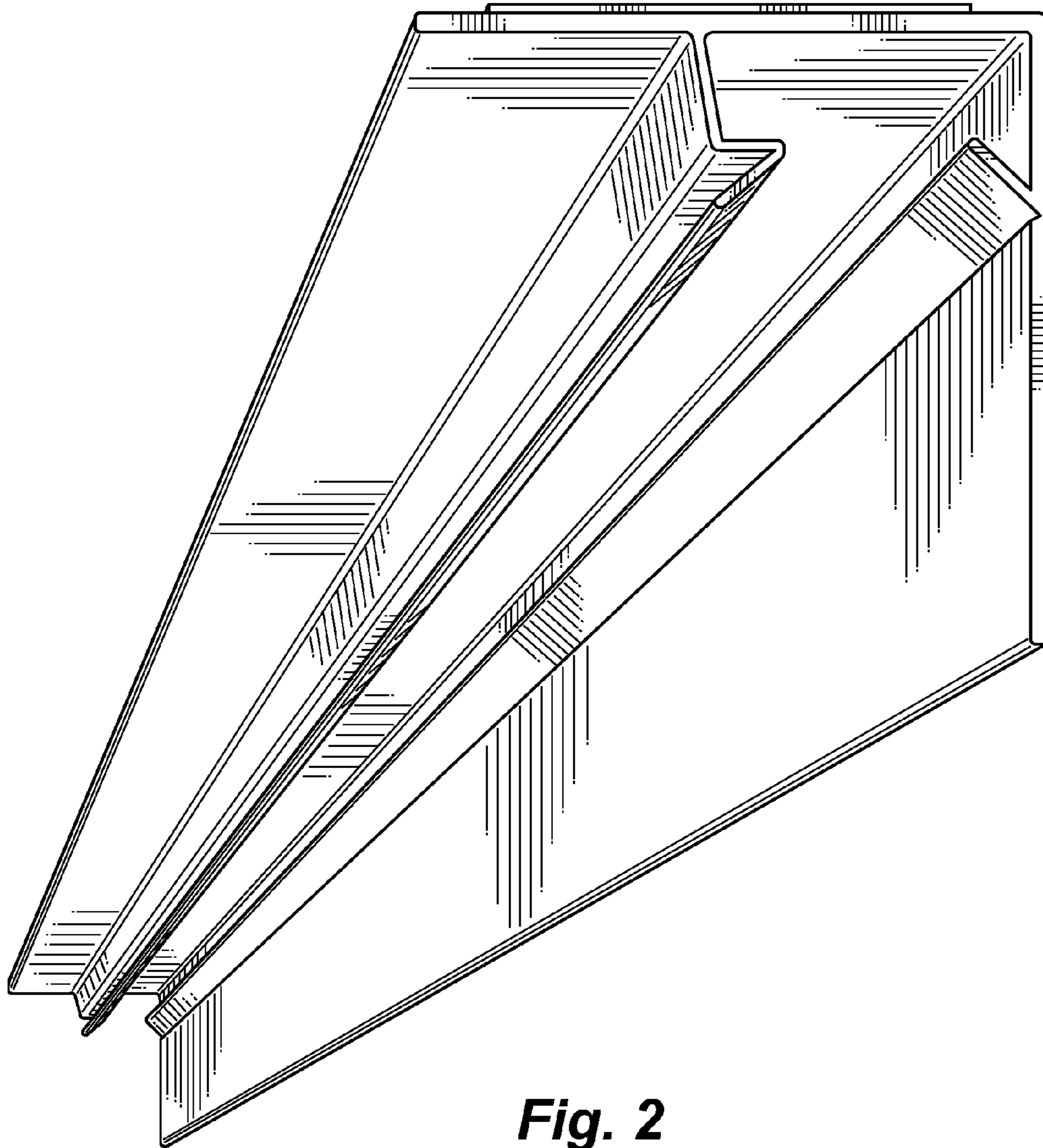


Fig. 2

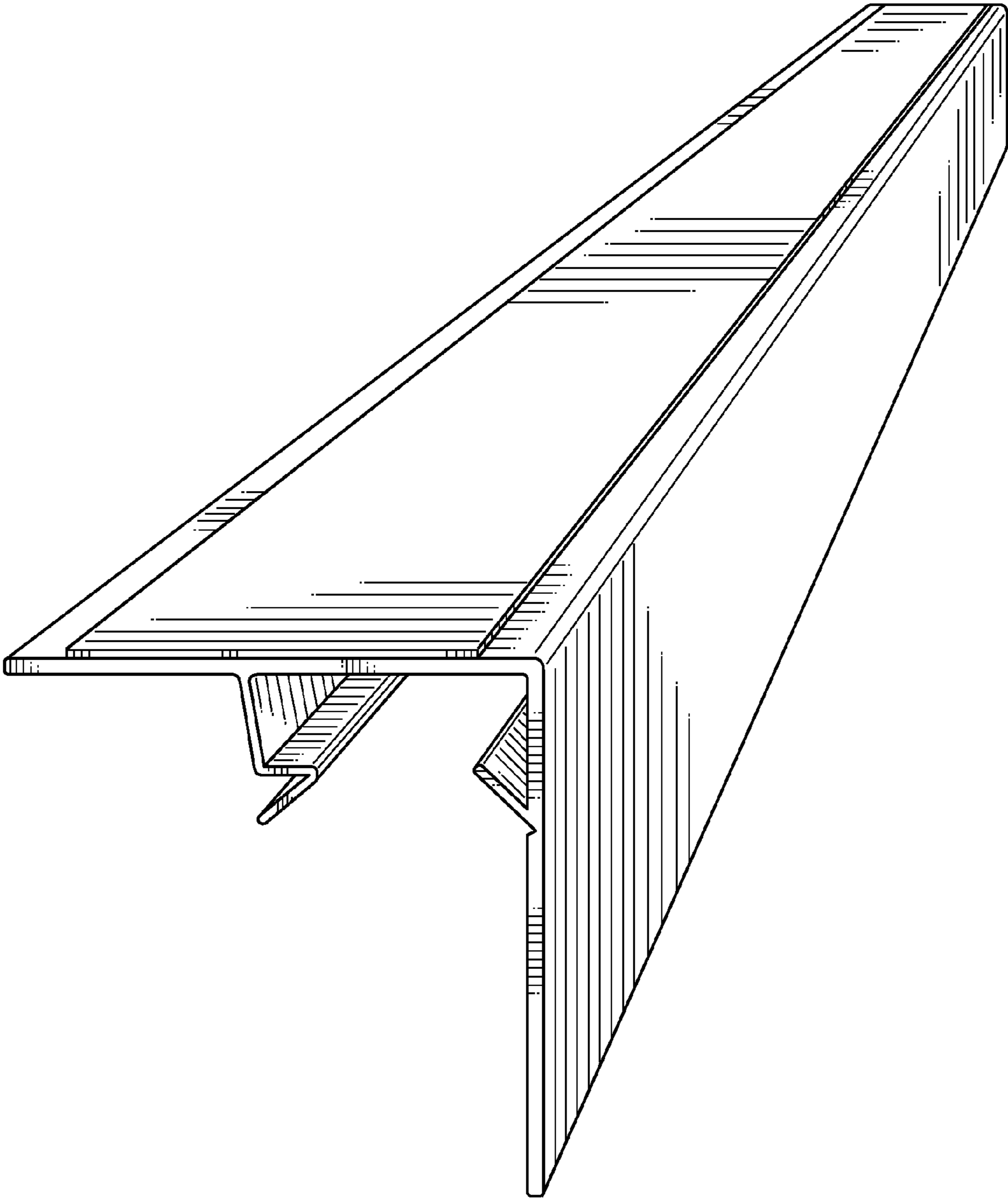


Fig. 3