



US00D683892S

(12) **United States Design Patent**  
**Chu**

(10) **Patent No.:** **US D683,892 S**  
(45) **Date of Patent:** **\*\* Jun. 4, 2013**

- (54) **LED LIGHT FIXTURE BODY**
- (76) Inventor: **Sammy Chu**, Irvine, CA (US)
- (\*\*) Term: **14 Years**
- (21) Appl. No.: **29/400,718**
- (22) Filed: **Aug. 31, 2011**
- (51) **LOC (9) Cl.** ..... **26-99**
- (52) **U.S. Cl.**  
USPC ..... **D26/128**
- (58) **Field of Classification Search** ..... D26/1,  
D26/2, 118, 113, 138, 119, 120, 121, 122,  
D26/76, 77, 75, 78, 85, 86, 89, 90, 62, 64,  
D26/65, 66, 63, 73, 72, 74, 68, 71, 28, 123,  
D26/124, 127, 128, 129, 134, 135, 132, 139,  
D26/154, 155, 152, 149, 148, 145, 143, 142,  
D26/140, 141, 153, 144, 91, 92, 29, 24, 25,  
D26/26, 8, 114, 37, 87; 362/202, 347, 349,  
362/362, 419, 96, 192, 145, 294, 326, 267,  
362/373, 249.01-249.12; D13/102, 179,  
D13/180  
See application file for complete search history.

(56) **References Cited**

U.S. PATENT DOCUMENTS

D203,865 S *	2/1966	Cooper	.....	D26/63
D312,886 S *	12/1990	Brown	.....	D26/63
D322,136 S *	12/1991	Shima et al.	.....	D26/28
D333,008 S *	2/1993	Frost et al.	.....	D26/63
D434,515 S *	11/2000	McNamara	.....	D26/63
D436,678 S *	1/2001	Mier-Langner et al.	.....	D26/63
D453,227 S *	1/2002	Lin	.....	D26/63
D465,048 S *	10/2002	Gaskins et al.	.....	D26/72
D465,592 S *	11/2002	Lin	.....	D26/65
D479,015 S *	8/2003	Tang	.....	D26/63
D482,153 S *	11/2003	McNamara	.....	D26/67
D552,778 S *	10/2007	Butler	.....	D26/63
D566,318 S *	4/2008	Quiogue et al.	.....	D26/63

D574,102 S *	7/2008	Quiogue et al.	.....	D26/63
D589,638 S *	3/2009	Collins	.....	D26/72
D625,450 S *	10/2010	Rosenkrantz et al.	.....	D26/61
D656,258 S *	3/2012	Georgitsis et al.	.....	D26/31
D656,662 S *	3/2012	Lehman et al.	.....	D26/118
D659,280 S *	5/2012	Guercio et al.	.....	D26/118
8,235,555 B2 *	8/2012	Thomas et al.	.....	362/294

\* cited by examiner

*Primary Examiner* — Kevin Rudzinski

(74) *Attorney, Agent, or Firm* — Law Office of Katsuhiro Arai

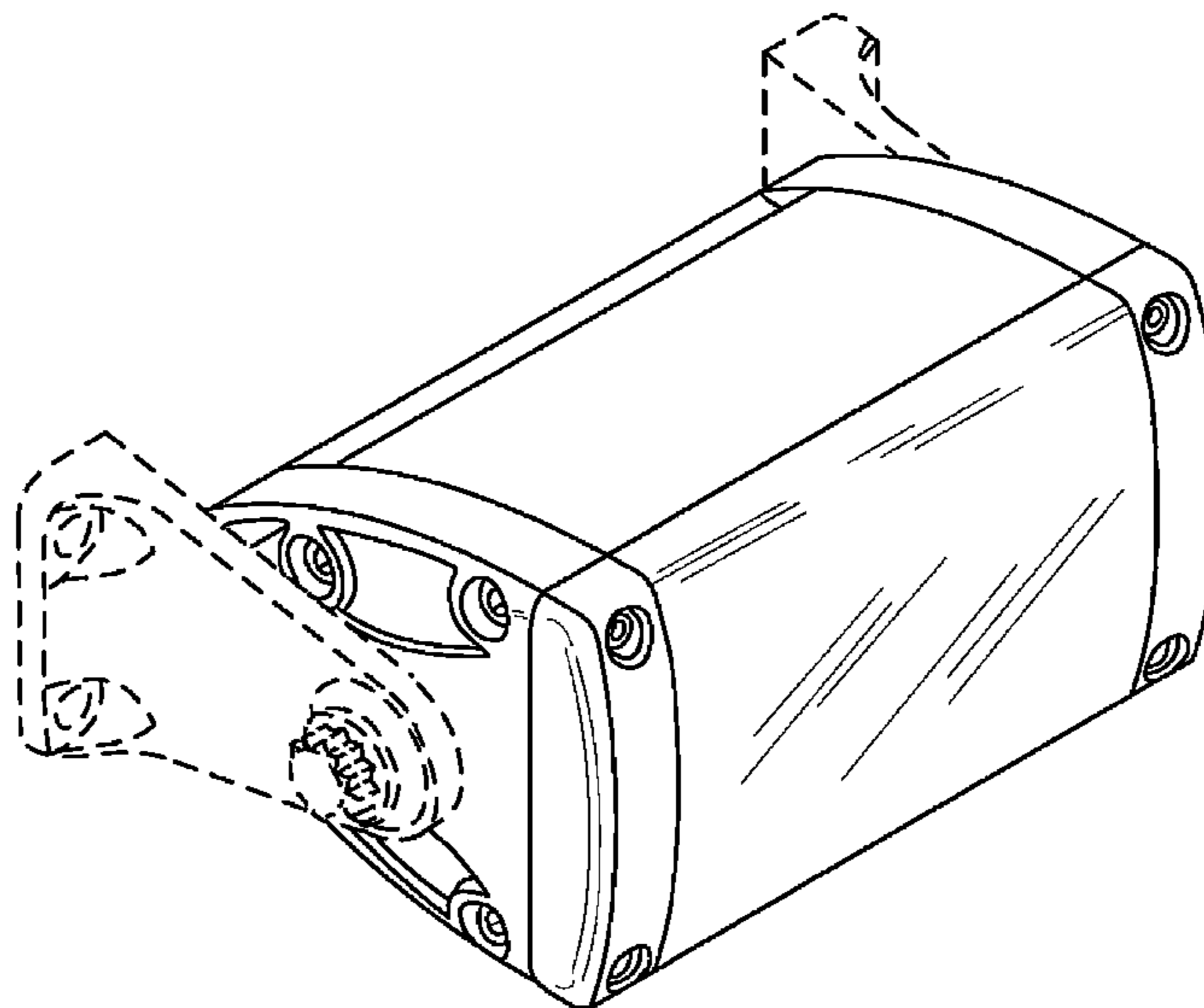
(57) **CLAIM**

The ornamental design for an LED light fixture body, as shown and described.

**DESCRIPTION**

FIG. 1 is a perspective view of the LED light fixture body, showing my new design;  
 FIG. 2 is a front elevation thereof;  
 FIG. 3 is a right side elevation thereof, the side opposite being a mirror image;  
 FIG. 4 is a rear elevation view thereof;  
 FIG. 5 is a partial sectional view taken along line 5-5 of FIG. 4 where the side panel is removed, and the inside structures are omitted;  
 FIG. 6 is a top plan view, the side opposite being a mirror image; and,  
 FIG. 7 is a right side elevation when the LED light fixture body is rotated.  
 The portions of the claimed design shown in broken lines form no part of the claimed design. The front surface with oblique line shadings in FIGS. 1 and 2 is illustrated as being transparent and an internal structure is omitted. The line shading in FIG. 7 is used to indicate portions of the structure illustrated in FIG. 5.

**1 Claim, 7 Drawing Sheets**



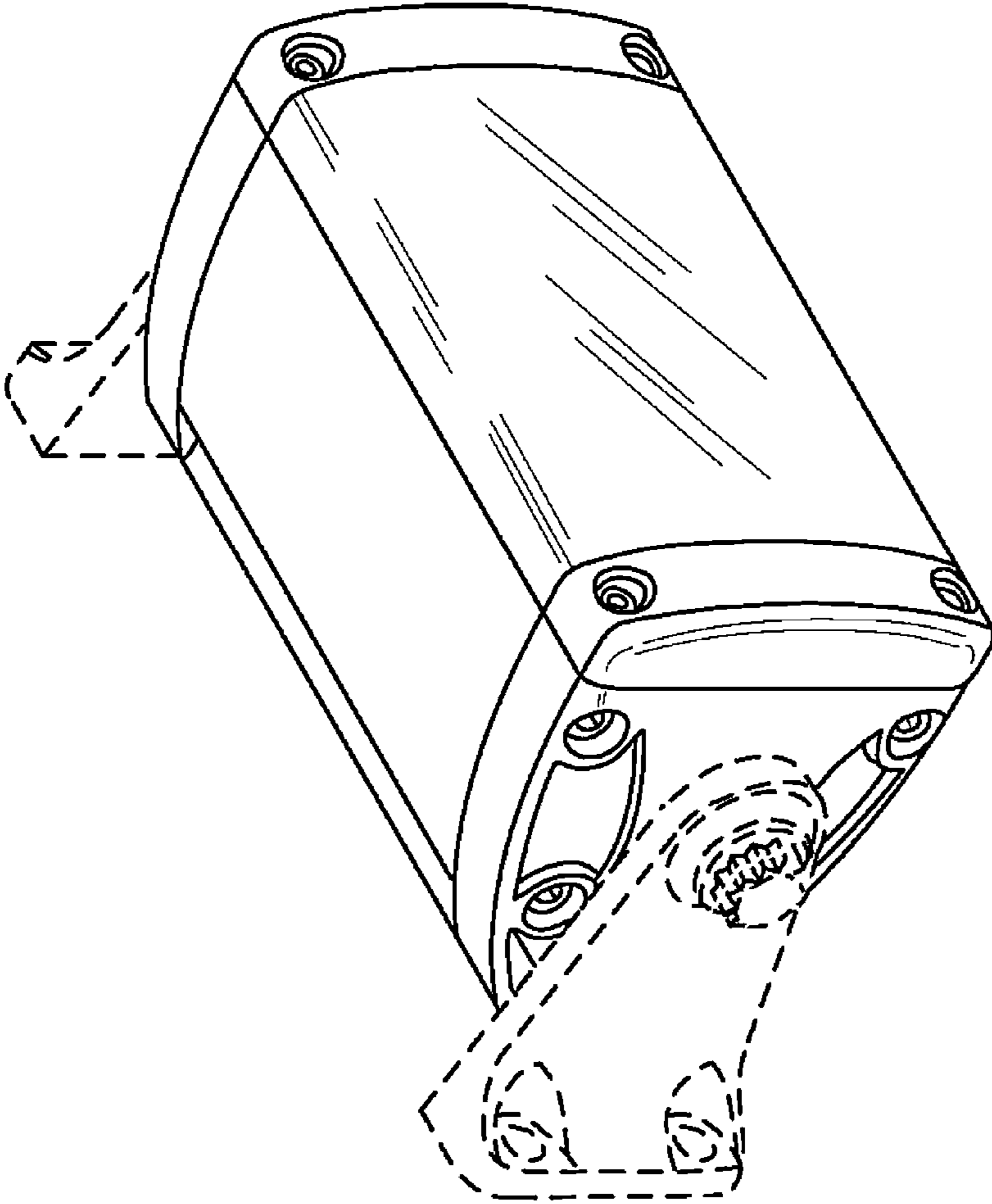


FIG. 1

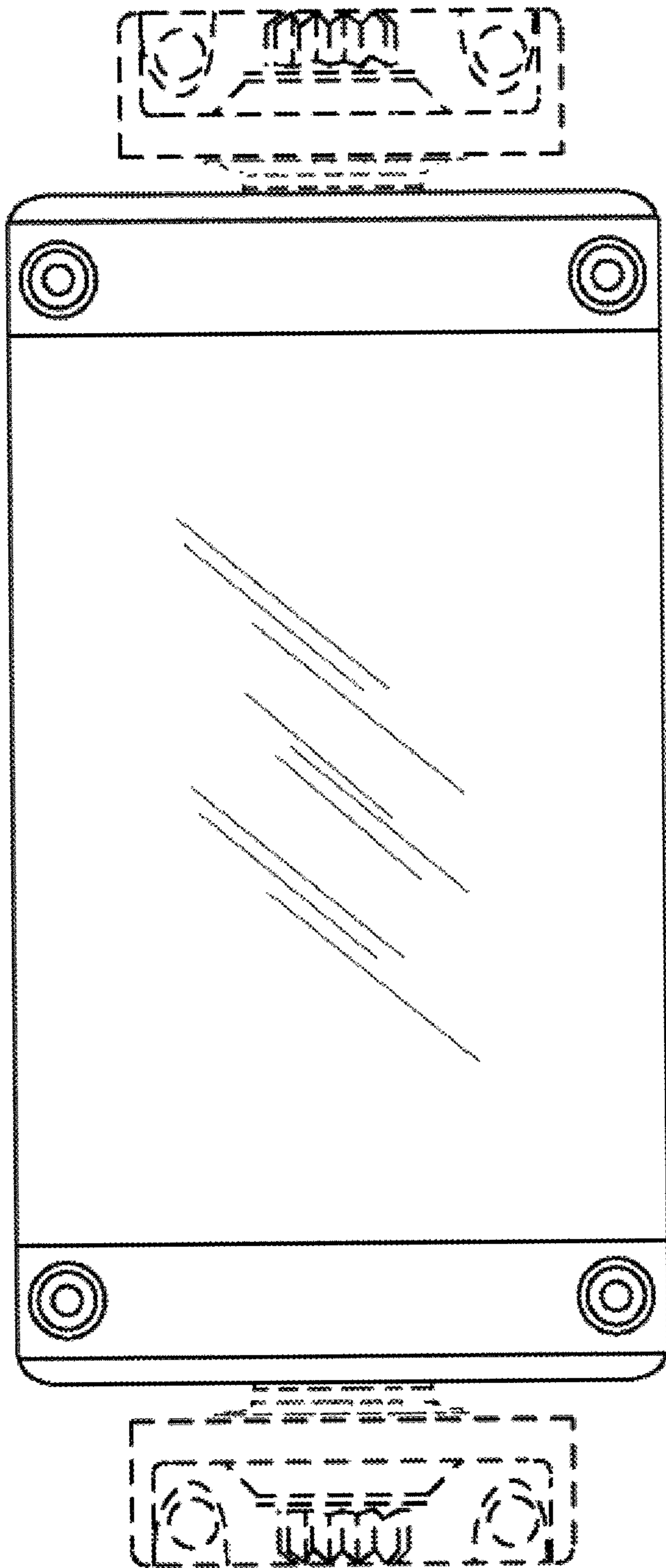


FIG. 2

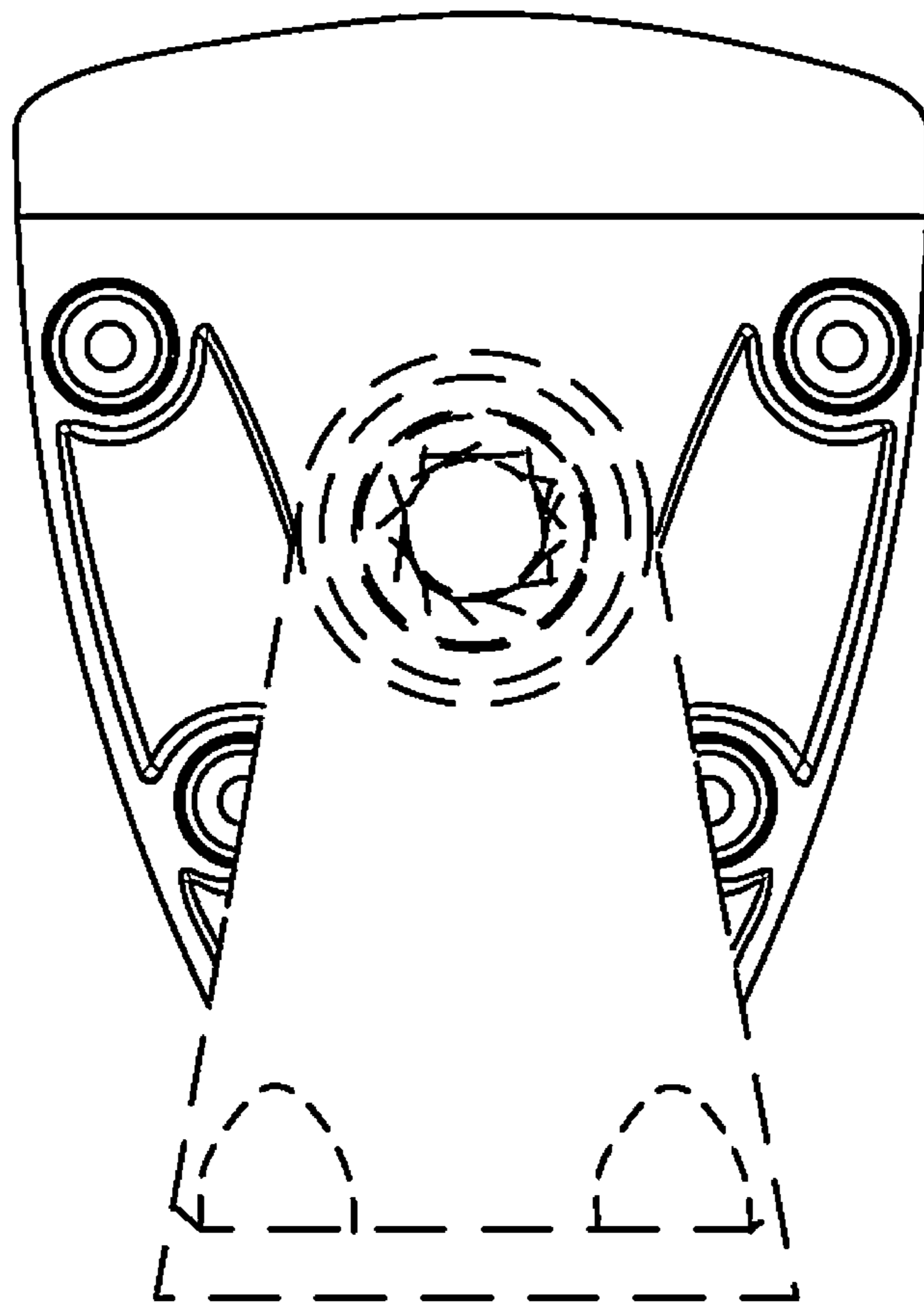


FIG. 3

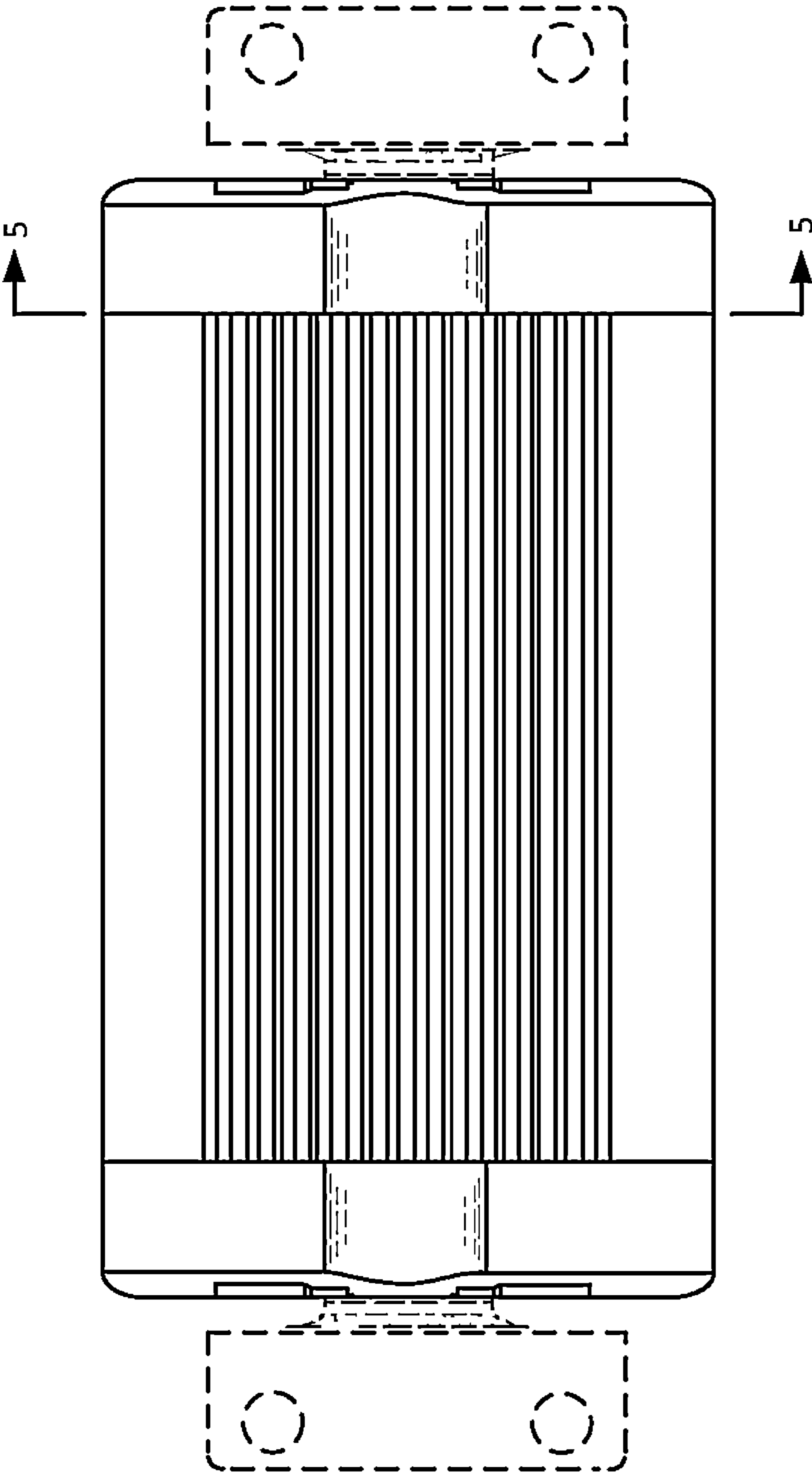


FIG. 4

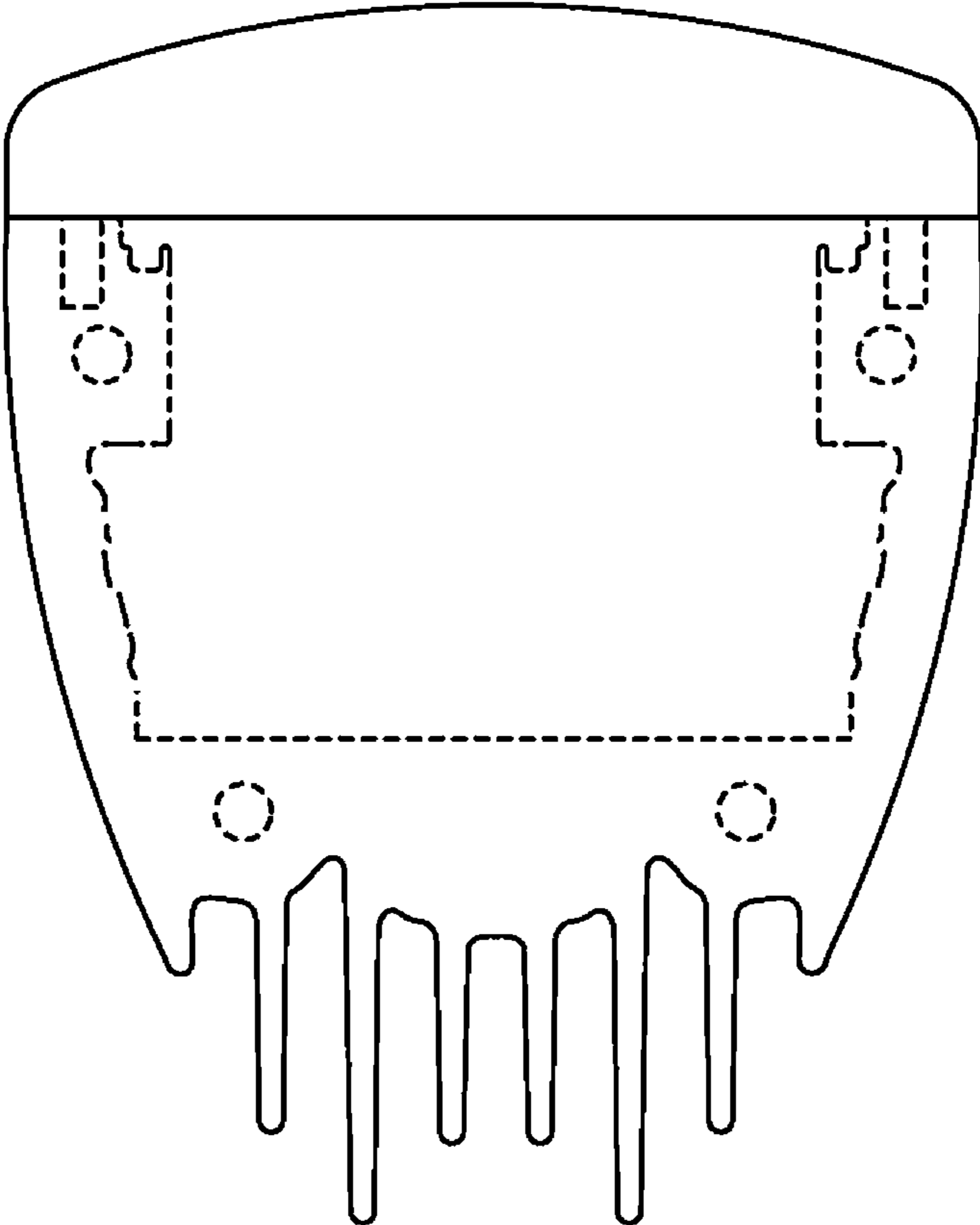


FIG. 5

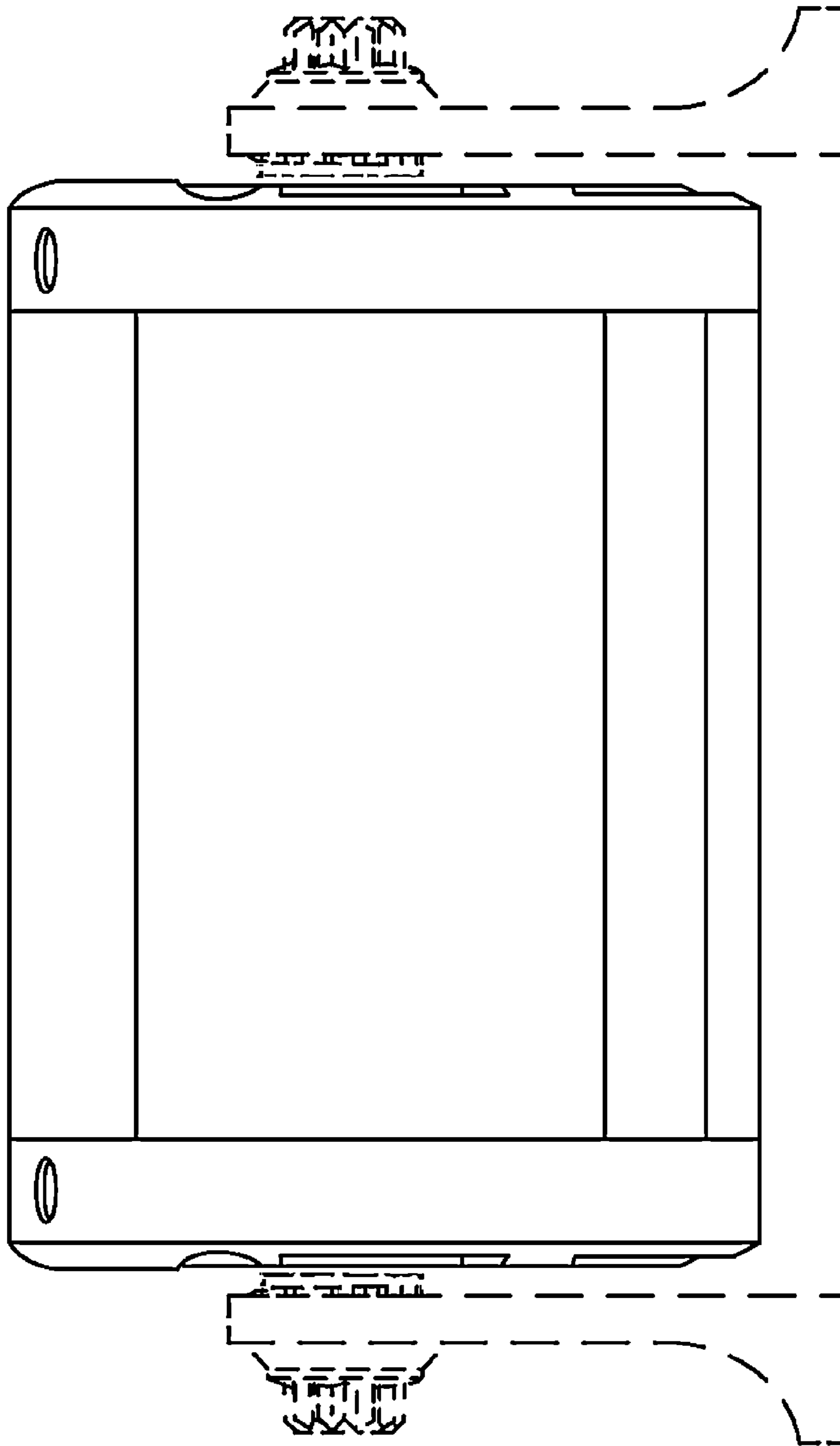


FIG. 6

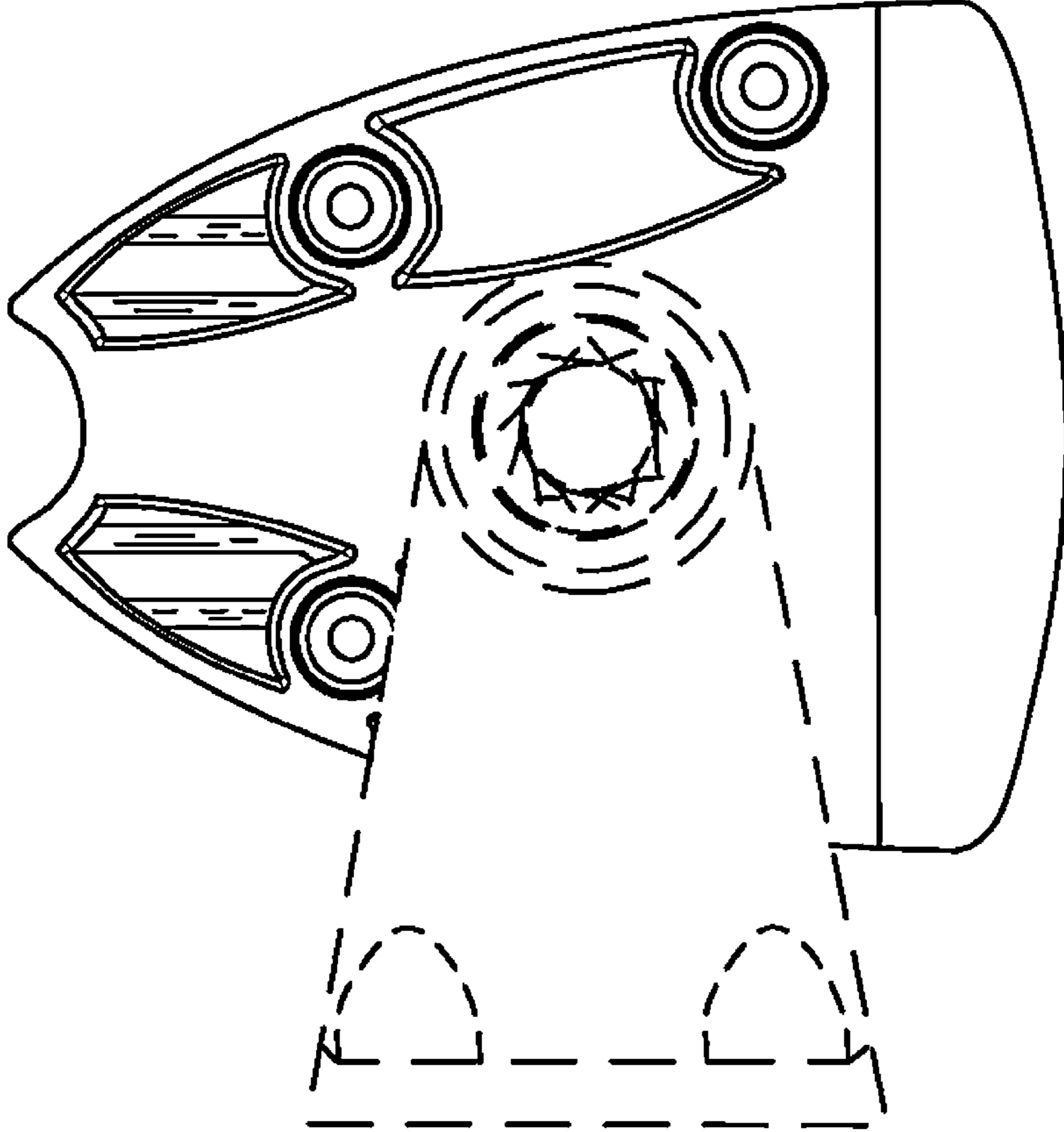


FIG. 7