



US00D683891S

(12) **United States Design Patent**  
**Sabernig**

(10) **Patent No.:** **US D683,891 S**  
(45) **Date of Patent:** **\*\* Jun. 4, 2013**

(54) **LAMP ARM**

(75) Inventor: **Robert Sabernig**, Munster (AT)

(73) Assignee: **EGLO Leuchten GmbH**, Pill (AT)

(\*\*) Term: **14 Years**

(21) Appl. No.: **29/431,326**

(22) Filed: **Sep. 6, 2012**

(51) **LOC (9) Cl.** ..... **26-03**

(52) **U.S. Cl.**  
USPC ..... **D26/113**

(58) **Field of Classification Search**  
USPC ..... D26/24, 61-67, 93, 102, 104-106,  
D26/108-109, 113; 362/509, 516, 523, 186,  
362/217, 255, 257, 277, 317, 319, 351, 354,  
362/355, 357, 358, 362, 382, 410, 413, 417,  
362/806

See application file for complete search history.

(56) **References Cited**

**U.S. PATENT DOCUMENTS**

D513,088 S *	12/2005	Baarman et al.	.....	D26/106
D536,124 S *	1/2007	Liao	.....	D26/106
D556,363 S *	11/2007	Komar et al.	.....	D26/106
D639,489 S *	6/2011	Huang	.....	D26/93
D673,321 S *	12/2012	Karkkainen	.....	D26/93
D673,716 S *	1/2013	Huang	.....	D26/93

\* cited by examiner

*Primary Examiner* — Brian N Vinson

(74) *Attorney, Agent, or Firm* — Baker & McKenzie LLP

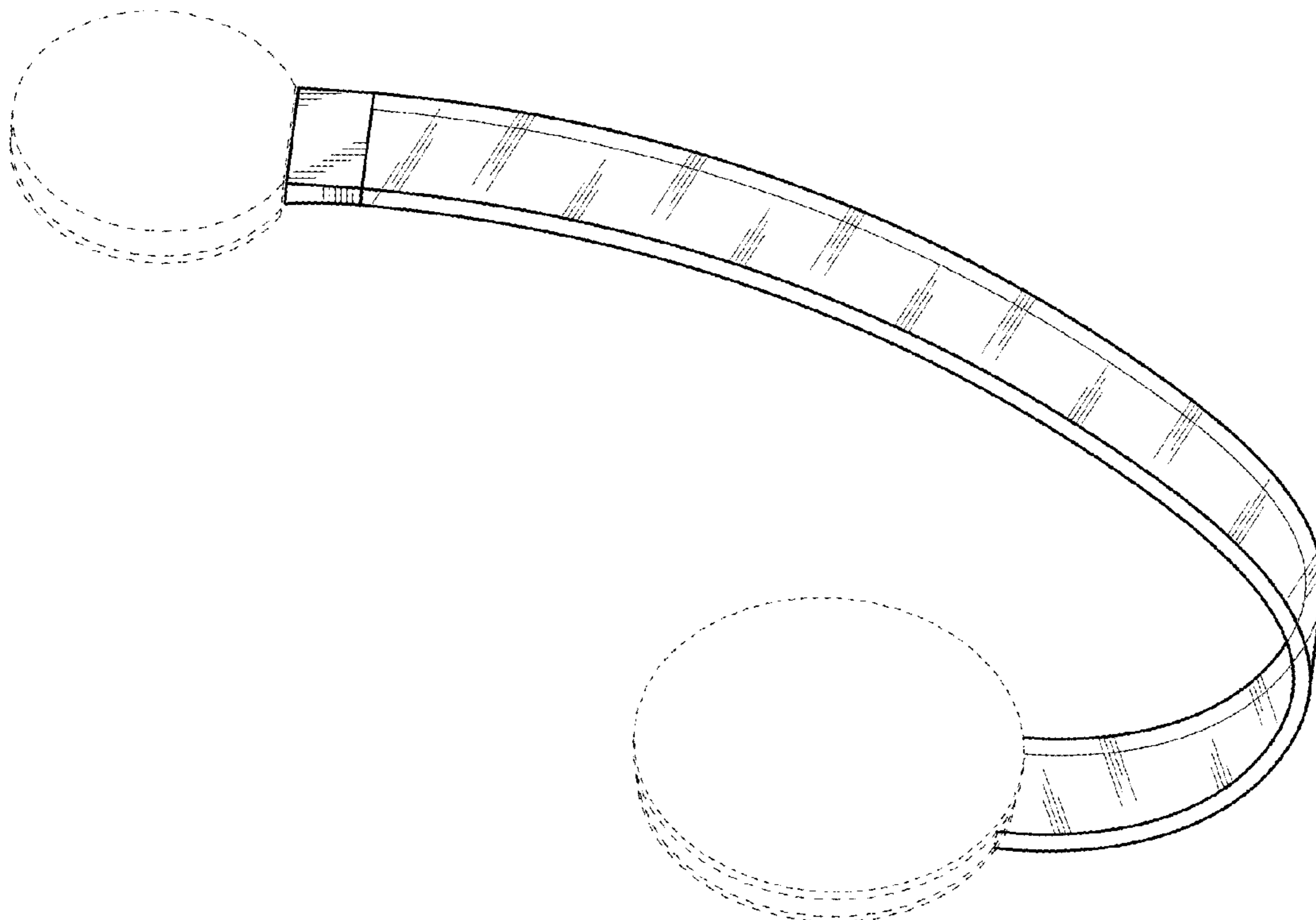
(57) **CLAIM**

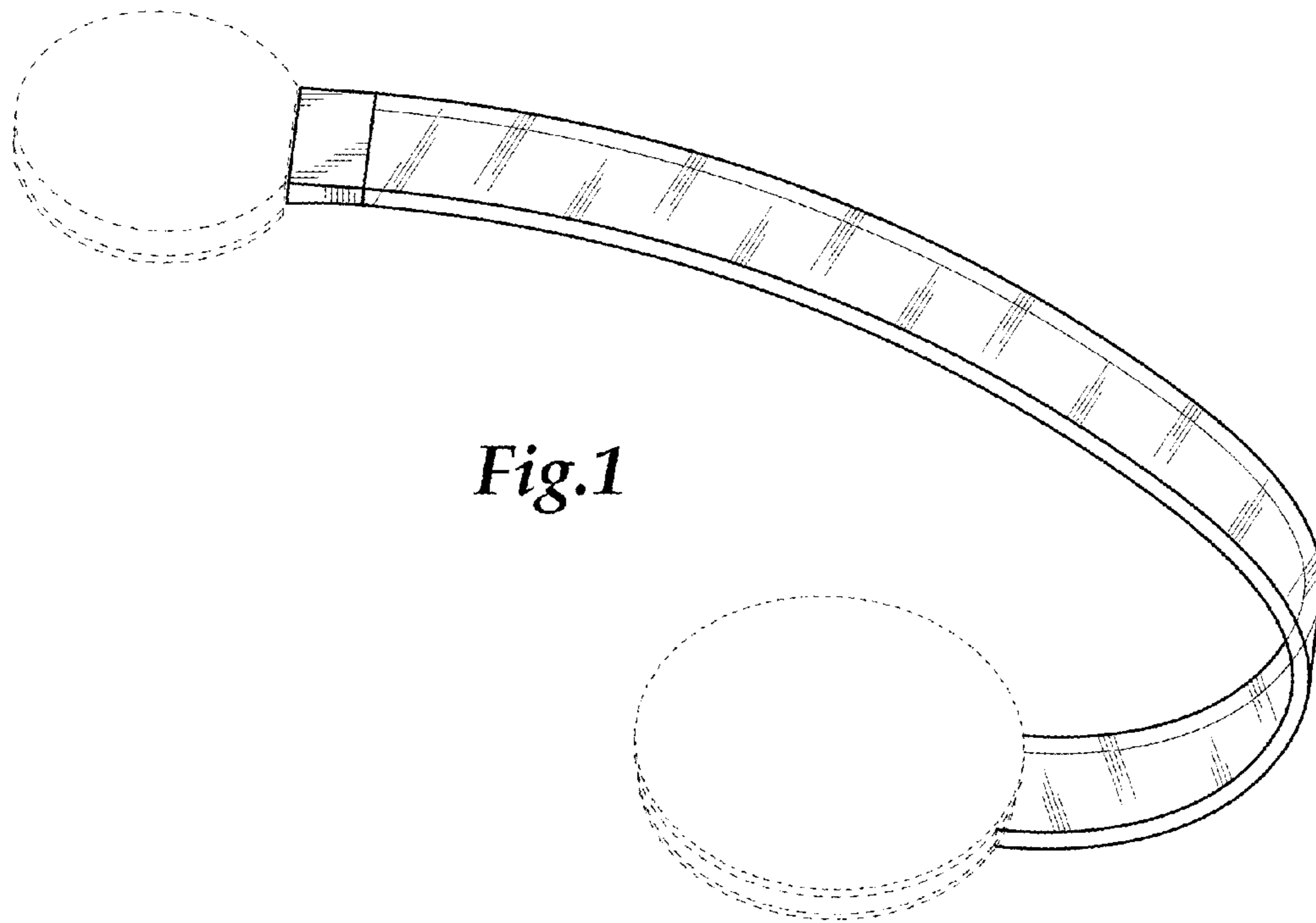
The ornamental design for a lamp arm, as shown and described.

**DESCRIPTION**

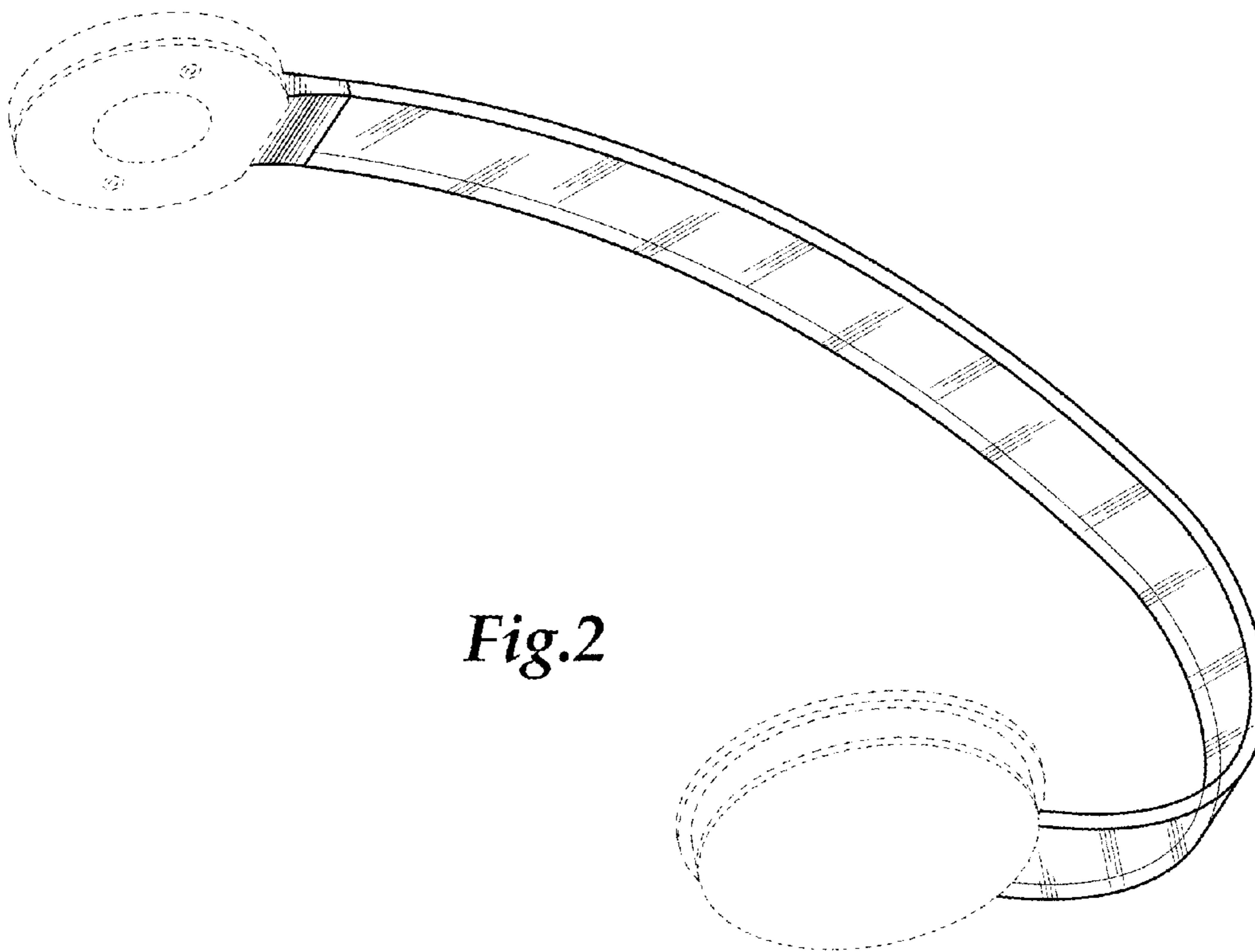
FIG. 1 is a front perspective view of a lamp arm in accordance with my design;  
FIG. 2 is a back perspective view of the lamp arm in accordance with my design;  
FIG. 3 is a front elevation view of the lamp arm in accordance with my design;  
FIG. 4 is a back elevation view of the lamp arm in accordance with my design;  
FIG. 5 is a top plan view of the lamp arm in accordance with my design;  
FIG. 6 is a bottom plan view of the lamp arm in accordance with my design; and,  
FIG. 7 is a side elevation view of the lamp arm in accordance with my design, the other side being a mirror image thereof. The broken-line disclosure of elements is understood to represent portions of the article in which the design is embodied, but which form no part of the claimed design.

**1 Claim, 4 Drawing Sheets**

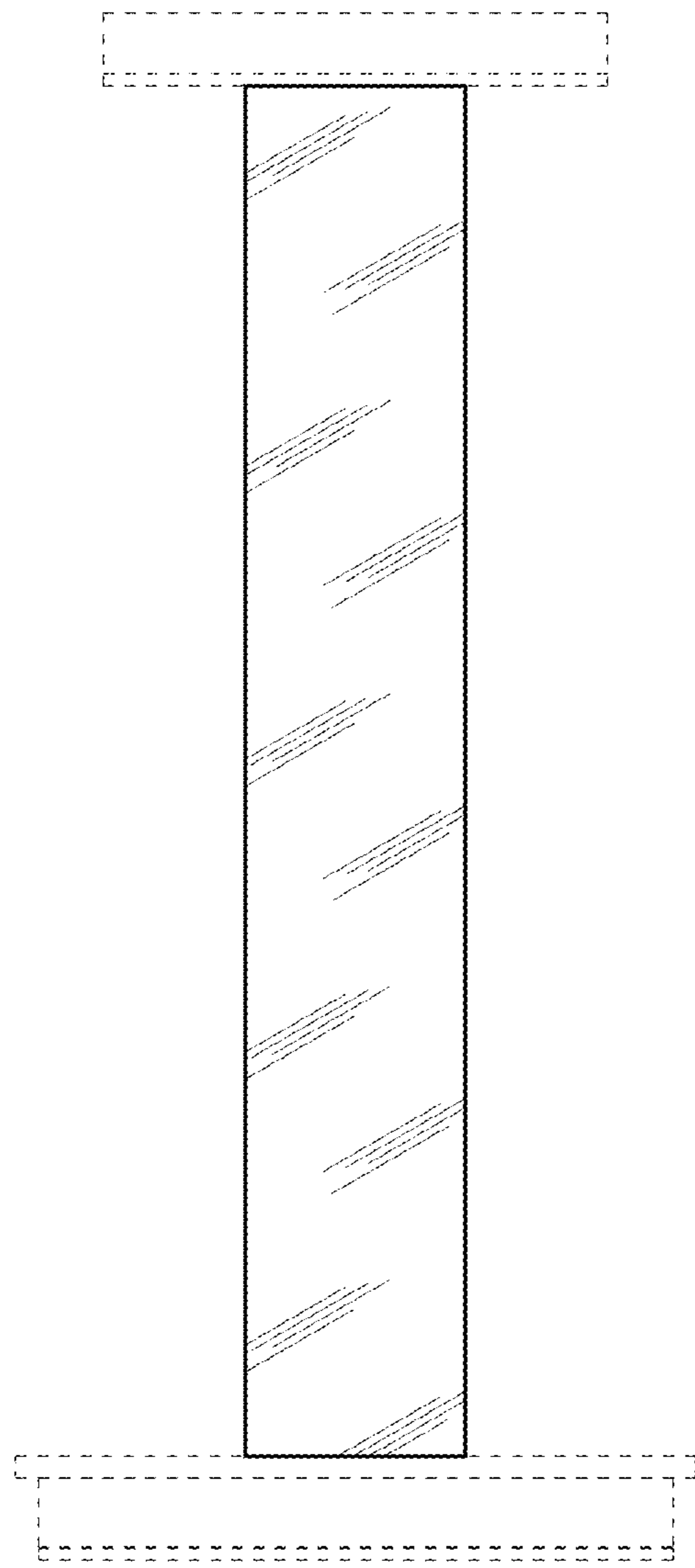




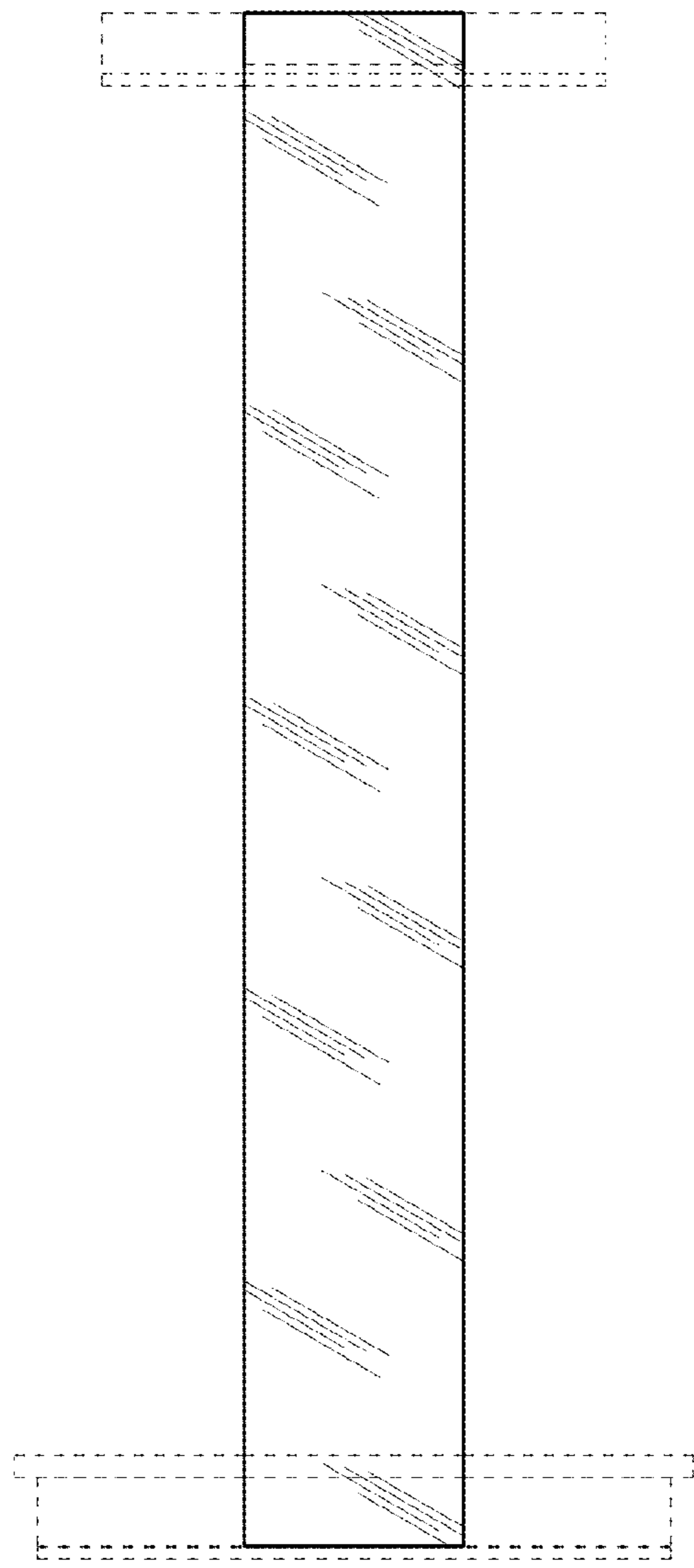
*Fig.1*



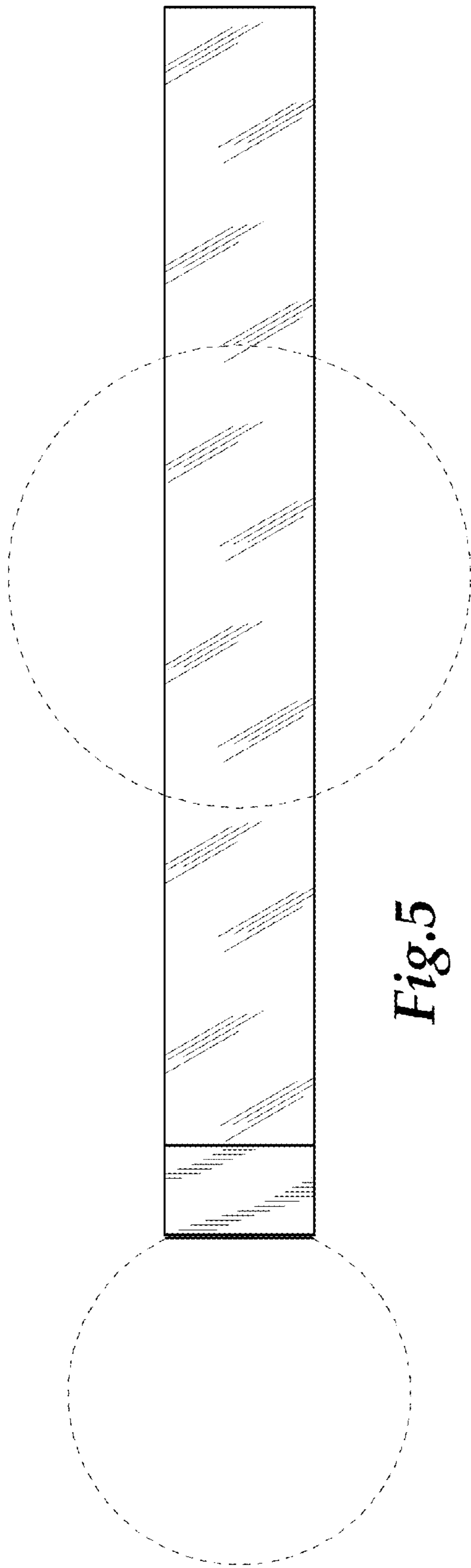
*Fig.2*



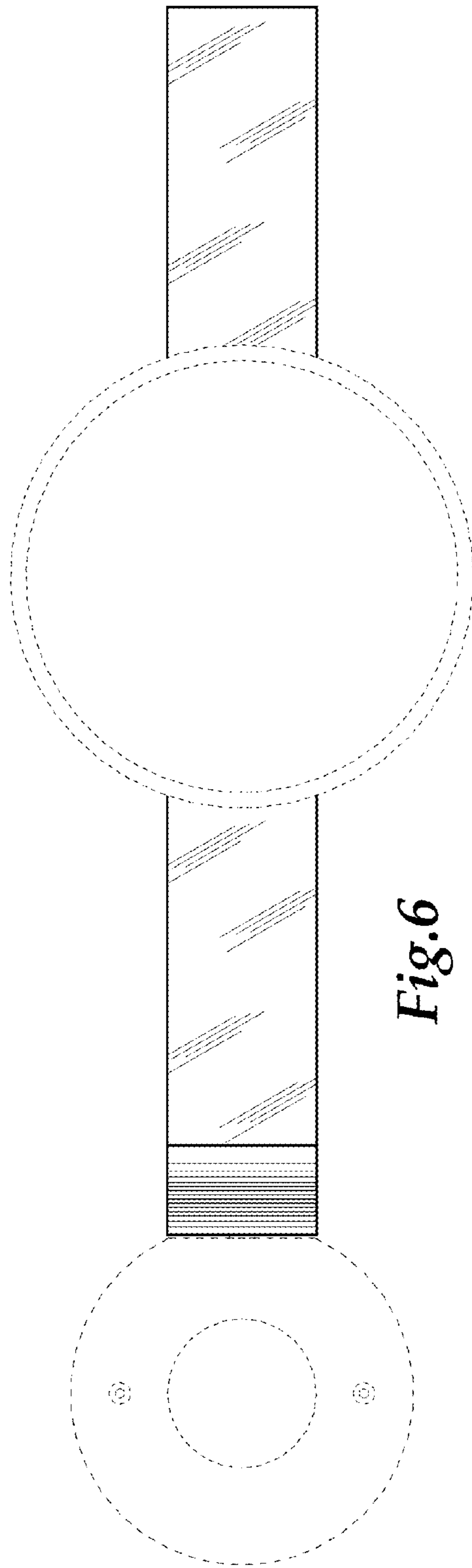
*Fig.3*



*Fig.4*



*Fig. 5*



*Fig. 6*

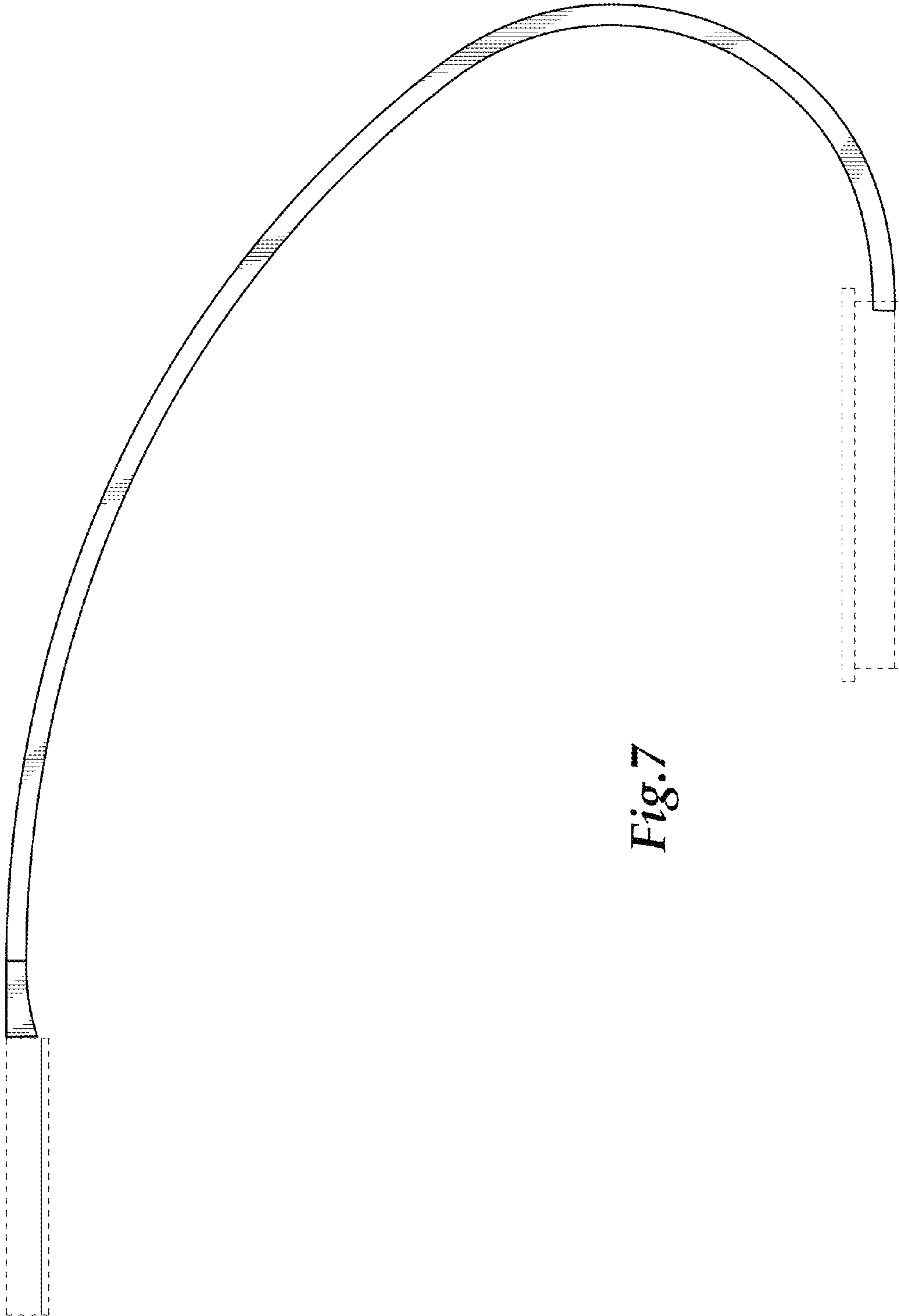


Fig.7