



US00D683890S

(12) **United States Design Patent**  
**Lopez et al.**

(10) **Patent No.:** **US D683,890 S**  
(45) **Date of Patent:** **\*\* Jun. 4, 2013**

(54) **LIGHTING FIXTURE**

(75) Inventors: **Peter E. Lopez**, Cary, NC (US); **Aparna Sproelich**, Cary, NC (US); **Jason Taylor**, Cary, NC (US)

(73) Assignee: **Cree, Inc.**, Durham, NC (US)

(\*\*) Term: **14 Years**

(21) Appl. No.: **29/389,409**

(22) Filed: **Apr. 11, 2011**

(51) **LOC (9) Cl.** ..... **26-99**

(52) **U.S. Cl.**  
USPC ..... **D26/113**

(58) **Field of Classification Search**  
USPC ..... D26/88, 91, 85, 86, 72, 74, 76, 118, D26/90, 134, 73, 75, 119, 120, 121, 122, D26/113, 71, 84, 128, 129, 2, 125, 78, 77, D26/138, 26, 89, 124, 130, 9, 10, 11, 24, D26/25, 63, 64, 65, 69, 127; 362/311.13, 362/249.01-249.12, 373, 362, 326, 247, 362/342, 220, 147, 148, 282, 339, 620, 223, 362/376, 219; D23/412, 385, 388; 349/64, 349/62, 63, 65; D16/101; D13/179, 180  
See application file for complete search history.

(56) **References Cited**

**U.S. PATENT DOCUMENTS**

D578,698	S *	10/2008	Zheng	.....	D26/71
7,458,706	B1 *	12/2008	Liu et al.	.....	362/373
D591,894	S *	5/2009	Flank	.....	D26/74
7,553,047	B2 *	6/2009	Shin et al.	.....	362/294
D611,650	S *	3/2010	Broekhoff	.....	D26/134
7,744,259	B2 *	6/2010	Walczak et al.	.....	362/421
D627,727	S *	11/2010	Alexander et al.	.....	D13/134
D627,912	S *	11/2010	Mo	.....	D26/72
D633,099	S	2/2011	Van de Ven et al.		
7,914,902	B2 *	3/2011	Kao et al.	.....	428/598

7,967,474	B2 *	6/2011	Ghim et al.	.....	362/294
D651,735	S *	1/2012	Dai	.....	D26/72
D664,291	S *	7/2012	Blincoe et al.	.....	D26/152
D666,351	S *	8/2012	Tsao	.....	D26/92
2006/0290891	A1 *	12/2006	Wang et al.	.....	353/52

(Continued)

**FOREIGN PATENT DOCUMENTS**

WO	2009111940	A1	9/2009
WO	2011037879	A1	3/2011

**OTHER PUBLICATIONS**

Invitation to Pay Additional Fees for PCT/2011/1055881 mailed Feb. 27, 2012, 7 pages.

Written Opinion of the International Preliminary Examining Authority for PCT/US2011/055881 mailed Oct. 19, 2012, 8 pages.

(Continued)

*Primary Examiner* — Kevin Rudzinski

(74) *Attorney, Agent, or Firm* — Withrow & Terranova, P.L.L.C.

(57) **CLAIM**

The ornamental design for lighting fixture, as shown and described.

**DESCRIPTION**

FIG. 1 is a front perspective view of a first embodiment of a lighting fixture according to the design;

FIG. 2 is a front elevation view of the lighting fixture of FIG. 1;

FIG. 3 is a side elevation of the lighting fixture of FIG. 1;

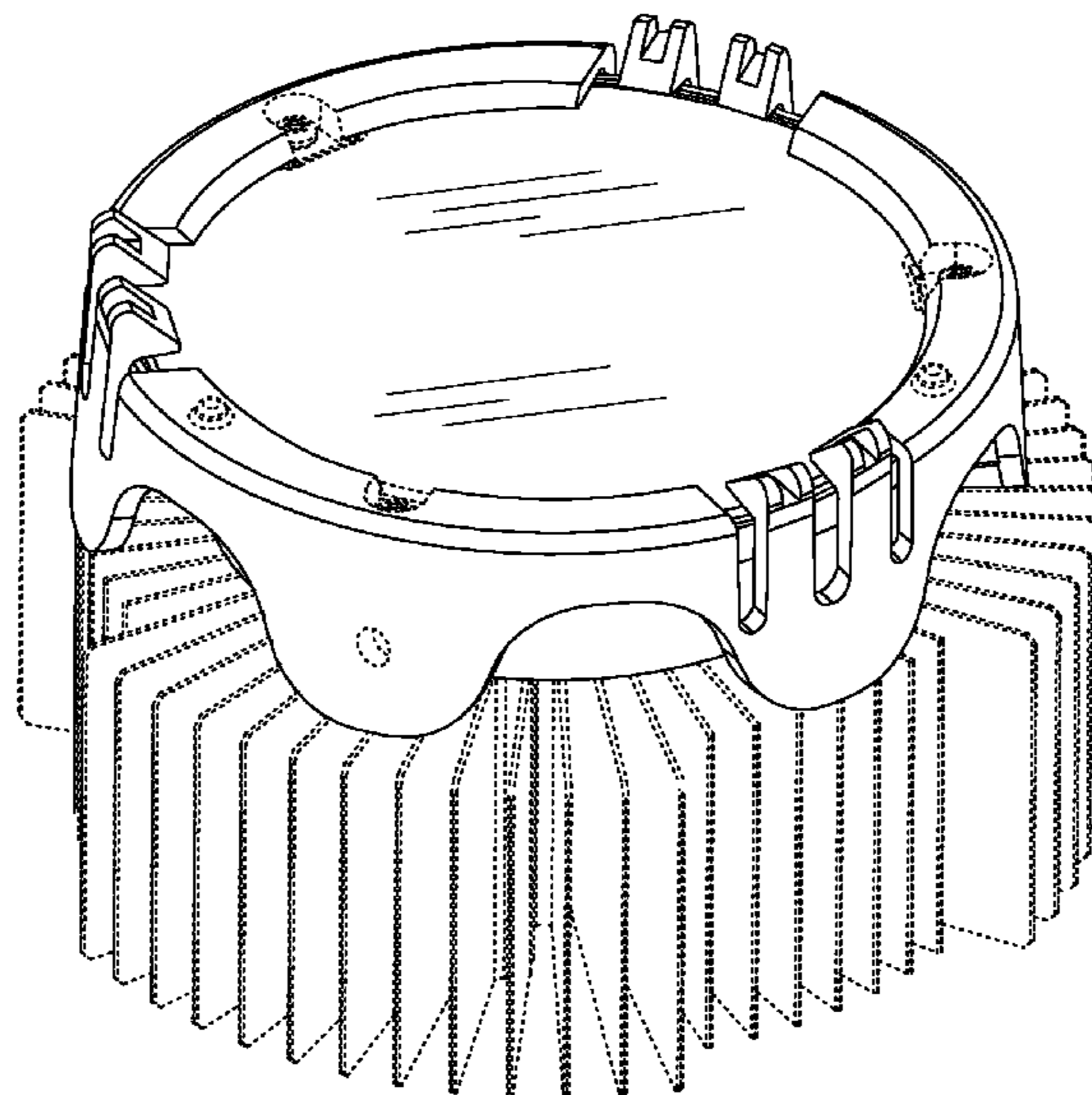
FIG. 4 is a front perspective view of a second embodiment of a lighting fixture;

FIG. 5 is a side elevation view of the lighting fixture of FIG. 4;

FIG. 6 is a top plan view of the lighting fixture of FIG. 4; and,

FIG. 7 is a bottom plan view of the lighting fixture of FIG. 4.

**1 Claim, 7 Drawing Sheets**



# US D683,890 S

Page 2

---

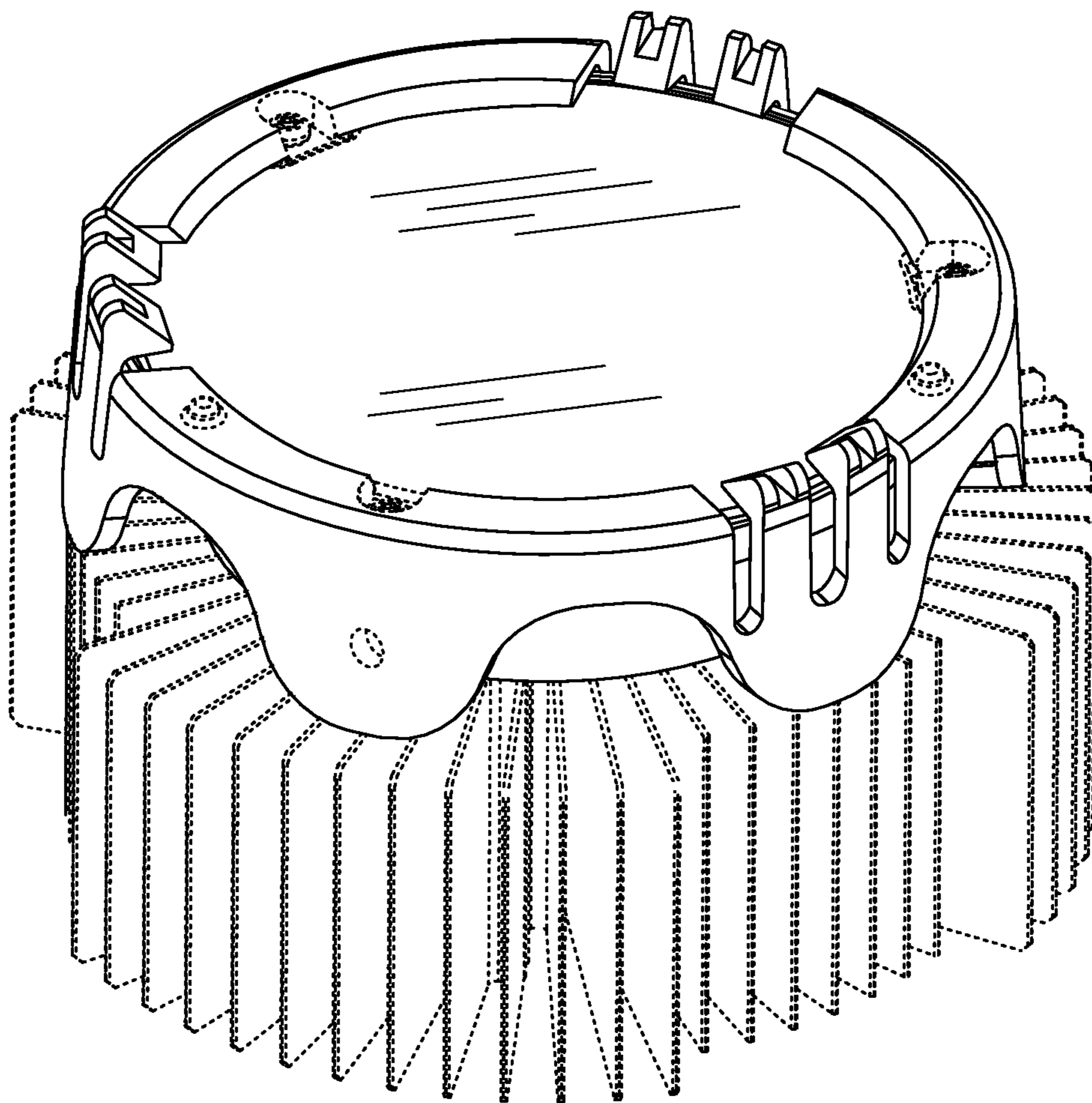
## U.S. PATENT DOCUMENTS

2007/0253202 A1\* 11/2007 Wu et al. .... 362/294  
2009/0147517 A1\* 6/2009 Li et al. .... 362/249.02  
2009/0290343 A1 11/2009 Brown et al.  
2010/0225220 A1 9/2010 Tanaka et al.  
2010/0259935 A1\* 10/2010 Scordino et al. .... 362/294  
2011/0002124 A1\* 1/2011 Chang et al. .... 362/294  
2011/0074289 A1 3/2011 Van De Ven et al.  
2011/0075411 A1 3/2011 Van De Ven et al.  
2011/0075414 A1 3/2011 Van De Ven et al.

## OTHER PUBLICATIONS

International Search Report and Written Opinion for PCT/US2011/055881 mailed Jun. 14, 2012, 24 pages.  
Restriction Requirement for U.S. Appl. No. 29/377,926 mailed Sep. 11, 2012, 7 pages.  
International Preliminary Report on Patentability for PCT/US2011/055881 mailed Jan. 23, 2013, 8 pages.

\* cited by examiner



**FIG. 1**

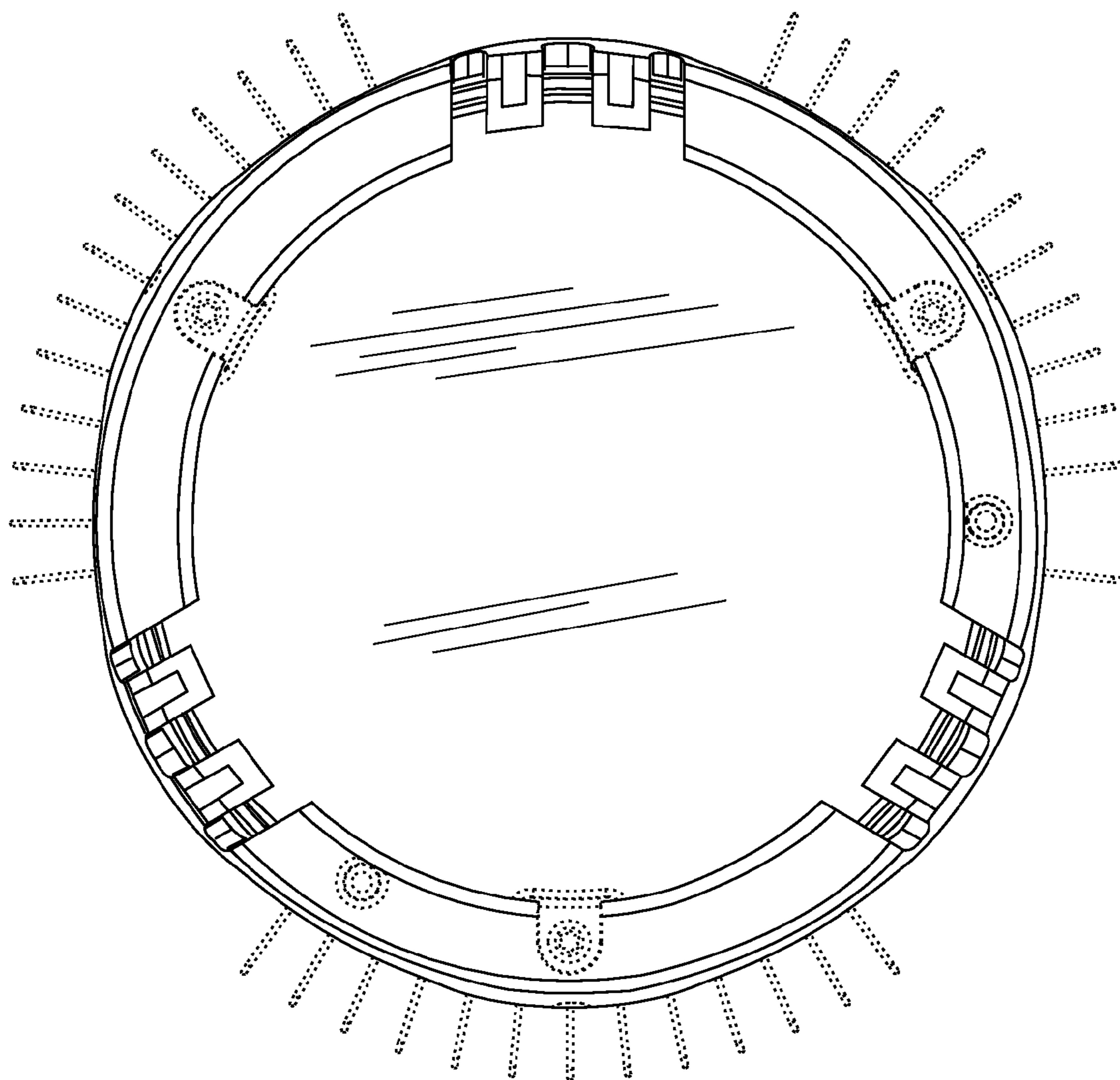


FIG. 2



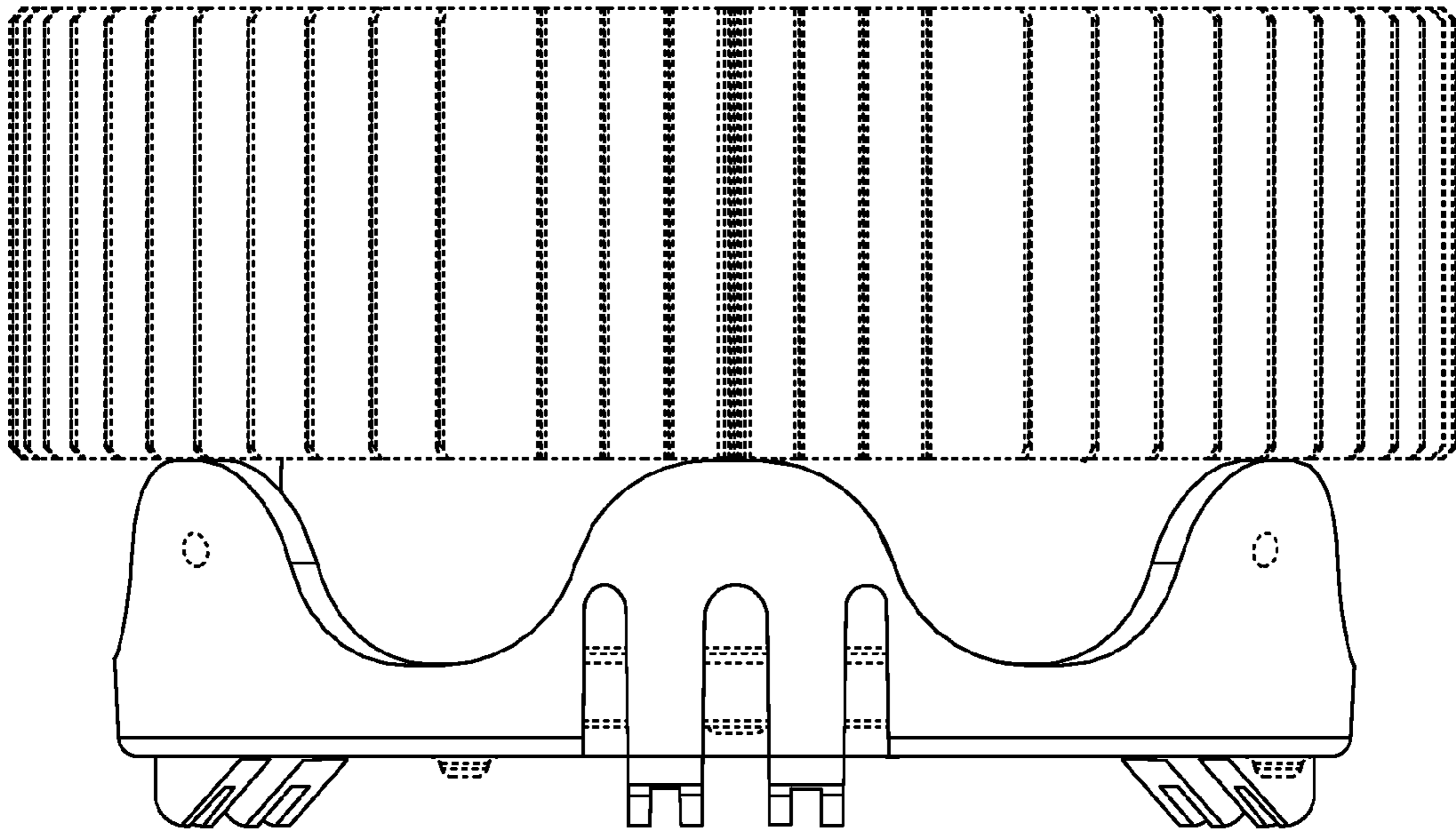


FIG. 3

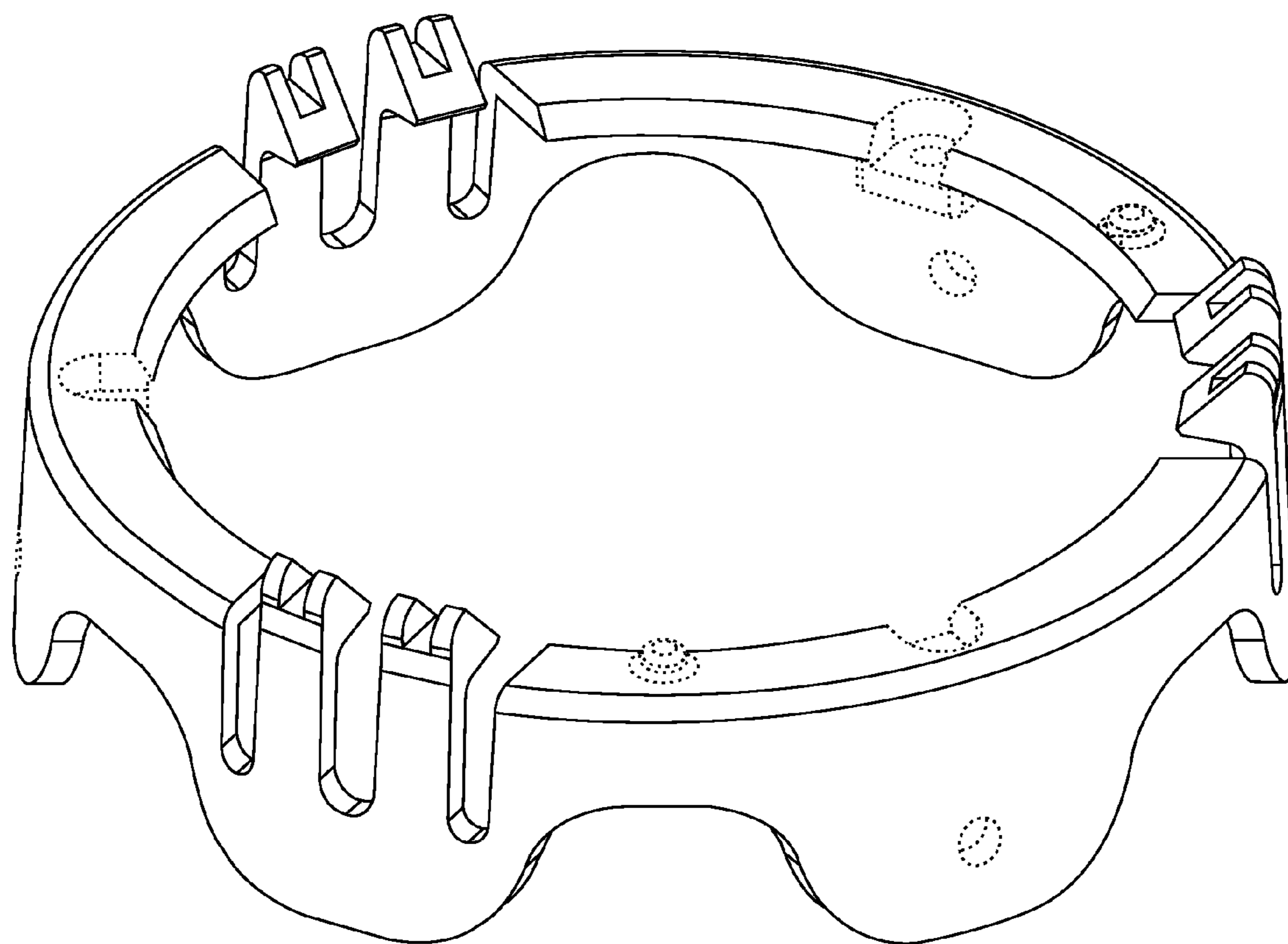
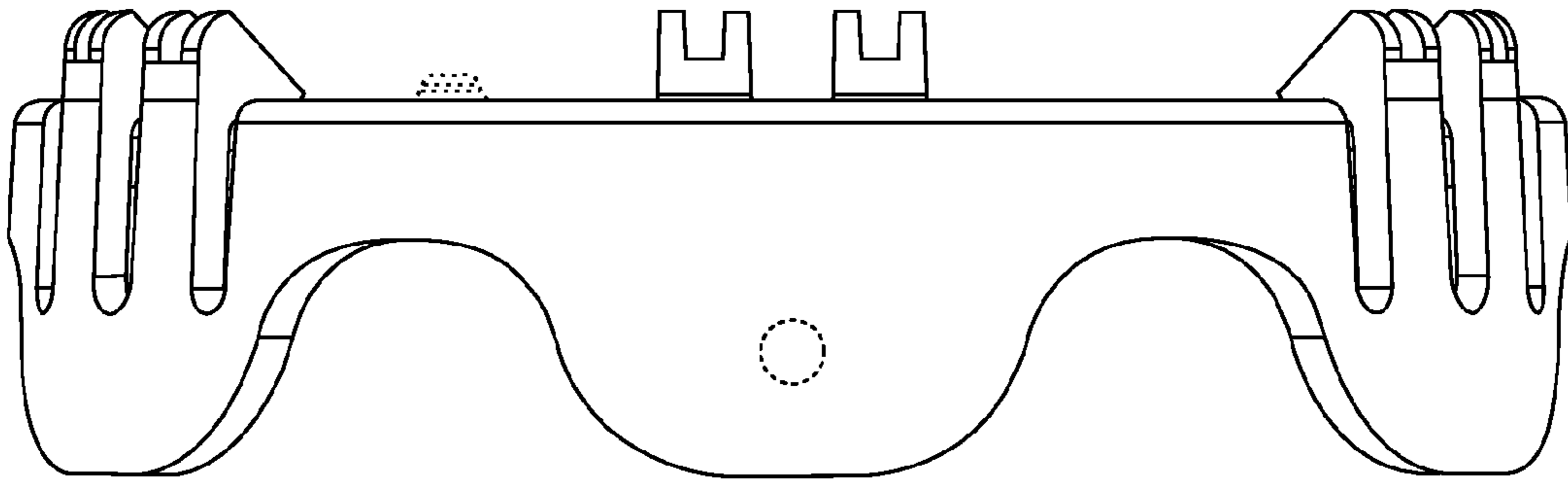


FIG. 4



*FIG. 5*

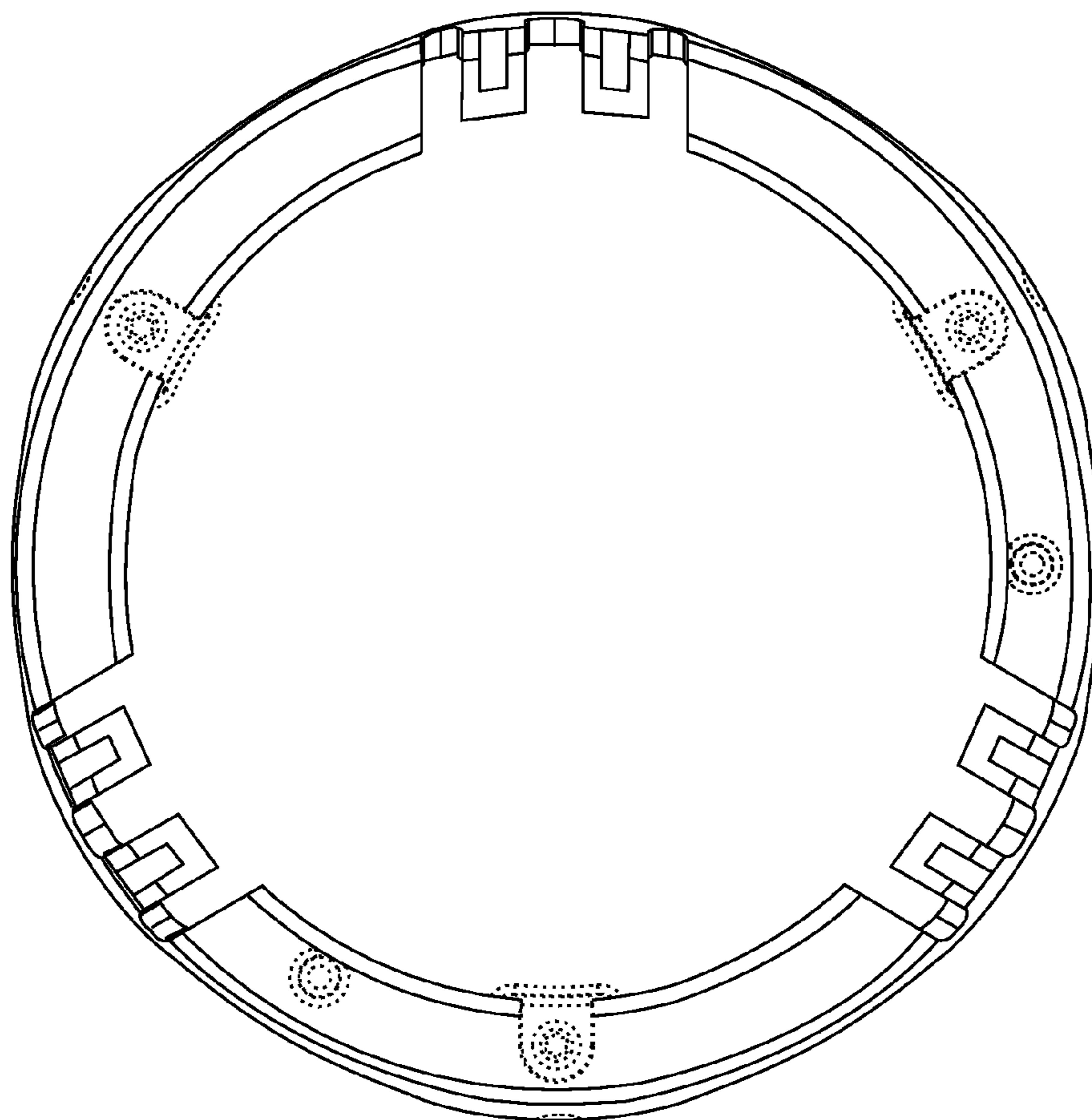
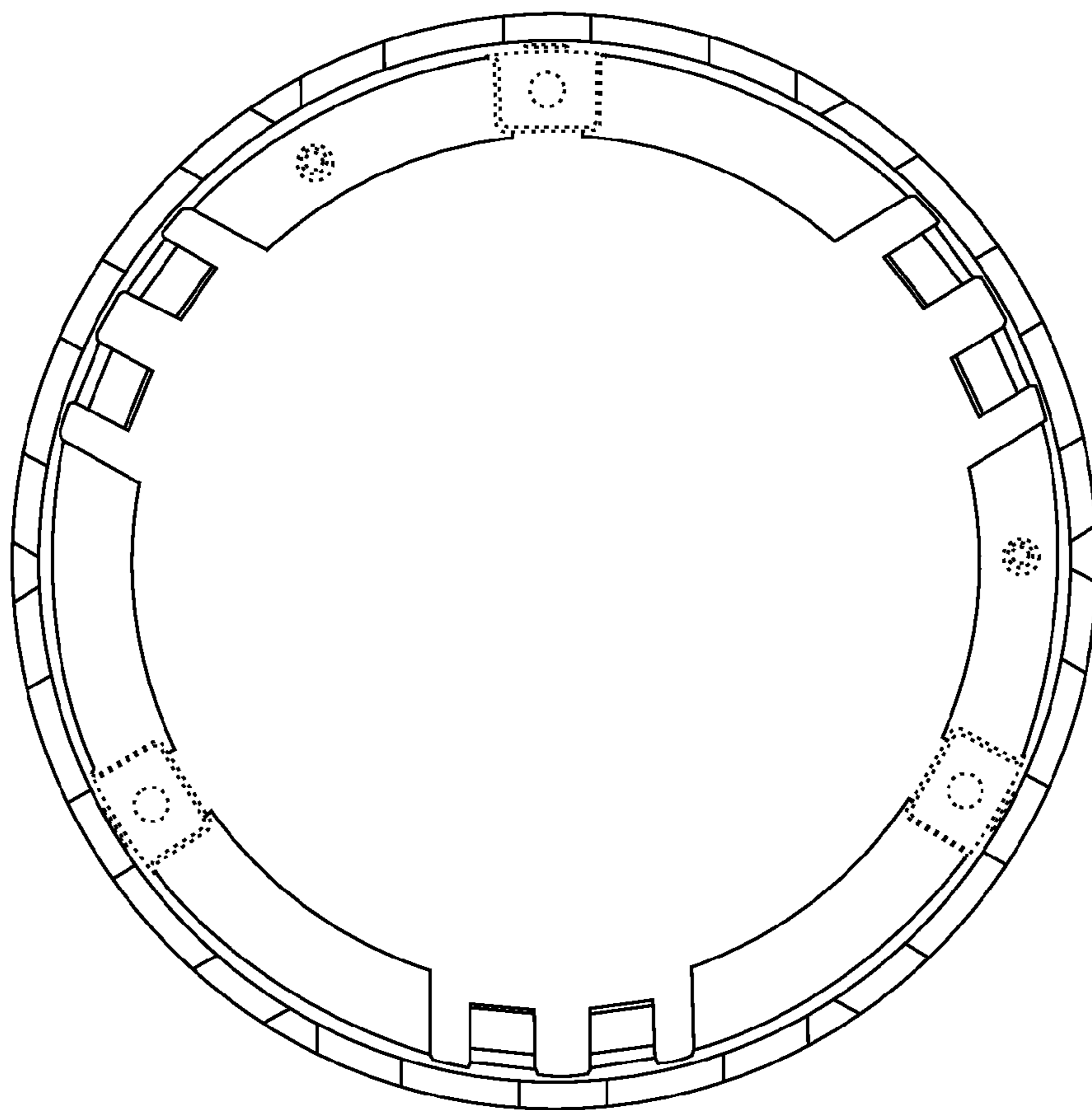


FIG. 6





*FIG. 7*