



US00D683889S

(12) **United States Design Patent**
Tyler

(10) **Patent No.:** **US D683,889 S**
(45) **Date of Patent:** **** Jun. 4, 2013**

(54) **LIGHTING APPARATUS**

(76) Inventor: **Daniel Jason Tyler**, London (GB)

(**) Term: **14 Years**

(21) Appl. No.: **29/411,662**

(22) Filed: **Jan. 25, 2012**

(51) **LOC (9) Cl.** **26-03**

(52) **U.S. Cl.**
USPC **D26/98**

(58) **Field of Classification Search**

USPC D26/1, 24, 67, 93-94, 104-110,
D26/98; 362/153, 255, 257, 317, 362, 382,
362/410-414, 418, 427, 431, 433, 441;
D21/584, 604; D11/127, 158
See application file for complete search history.

(56) **References Cited**

U.S. PATENT DOCUMENTS

D396,315 S * 7/1998 Hamerman D26/57
D493,562 S * 7/2004 Sehl D26/98

D509,316 S * 9/2005 Solari et al. D26/104
D509,618 S * 9/2005 Baarman et al. D26/106
D603,072 S * 10/2009 Scoley D26/24
D609,392 S * 2/2010 Salatto-Rose D26/93
D617,039 S * 6/2010 Sabernig D26/104
D648,889 S * 11/2011 Feinberg et al. D26/98

* cited by examiner

Primary Examiner — Brian N Vinson

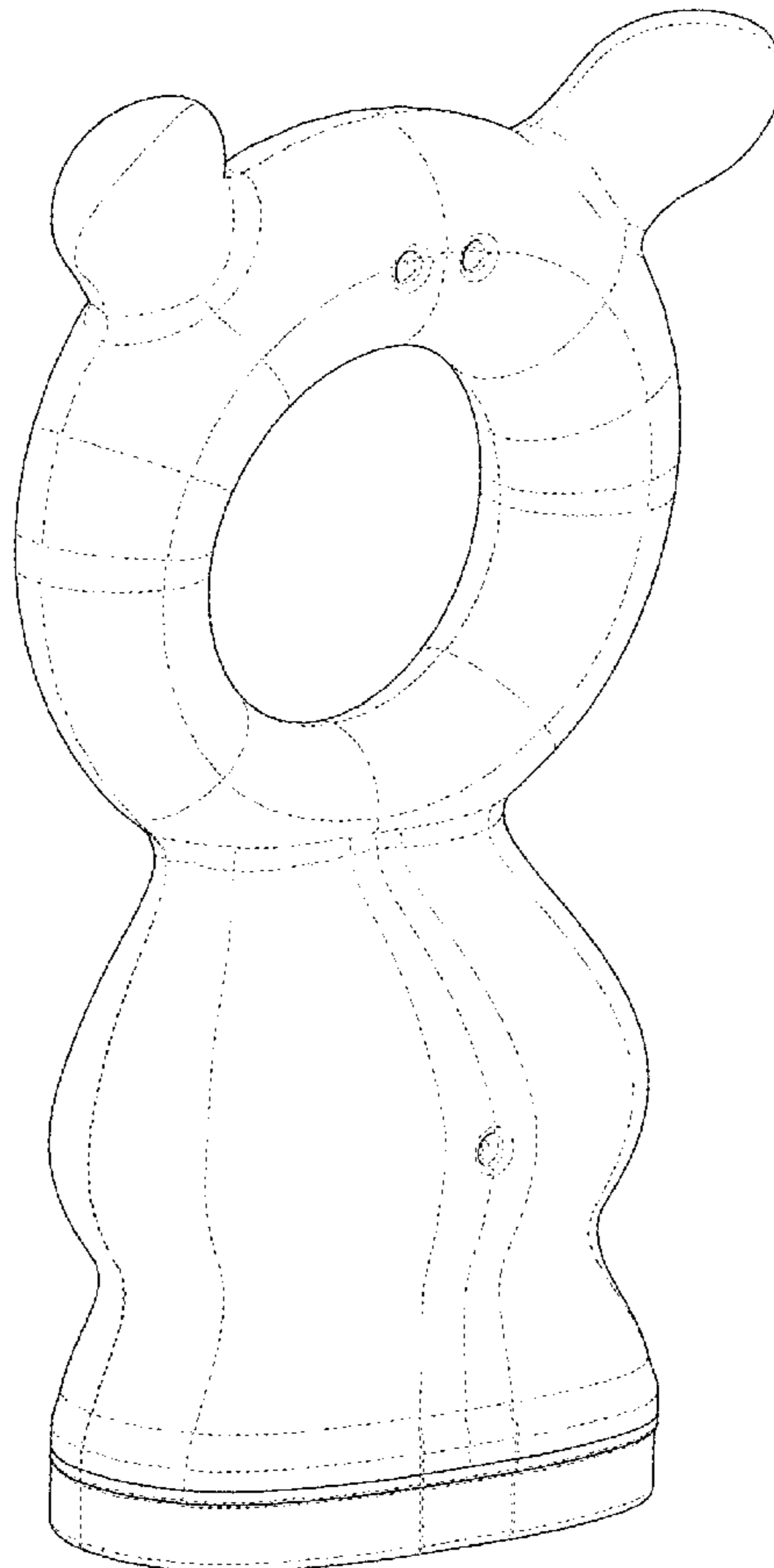
(57) **CLAIM**

The ornamental design for a lighting apparatus, as shown.

DESCRIPTION

FIG. 1 is a front perspective view of a lighting apparatus showing my new design;
FIG. 2 is a rear perspective view thereof;
FIG. 3 is a rear elevational view thereof;
FIG. 4 is a front elevational view thereof;
FIG. 5 is a top plan view thereof;
FIG. 6 is a bottom plan view thereof; and,
FIG. 7 is a side elevational view thereof.

1 Claim, 7 Drawing Sheets



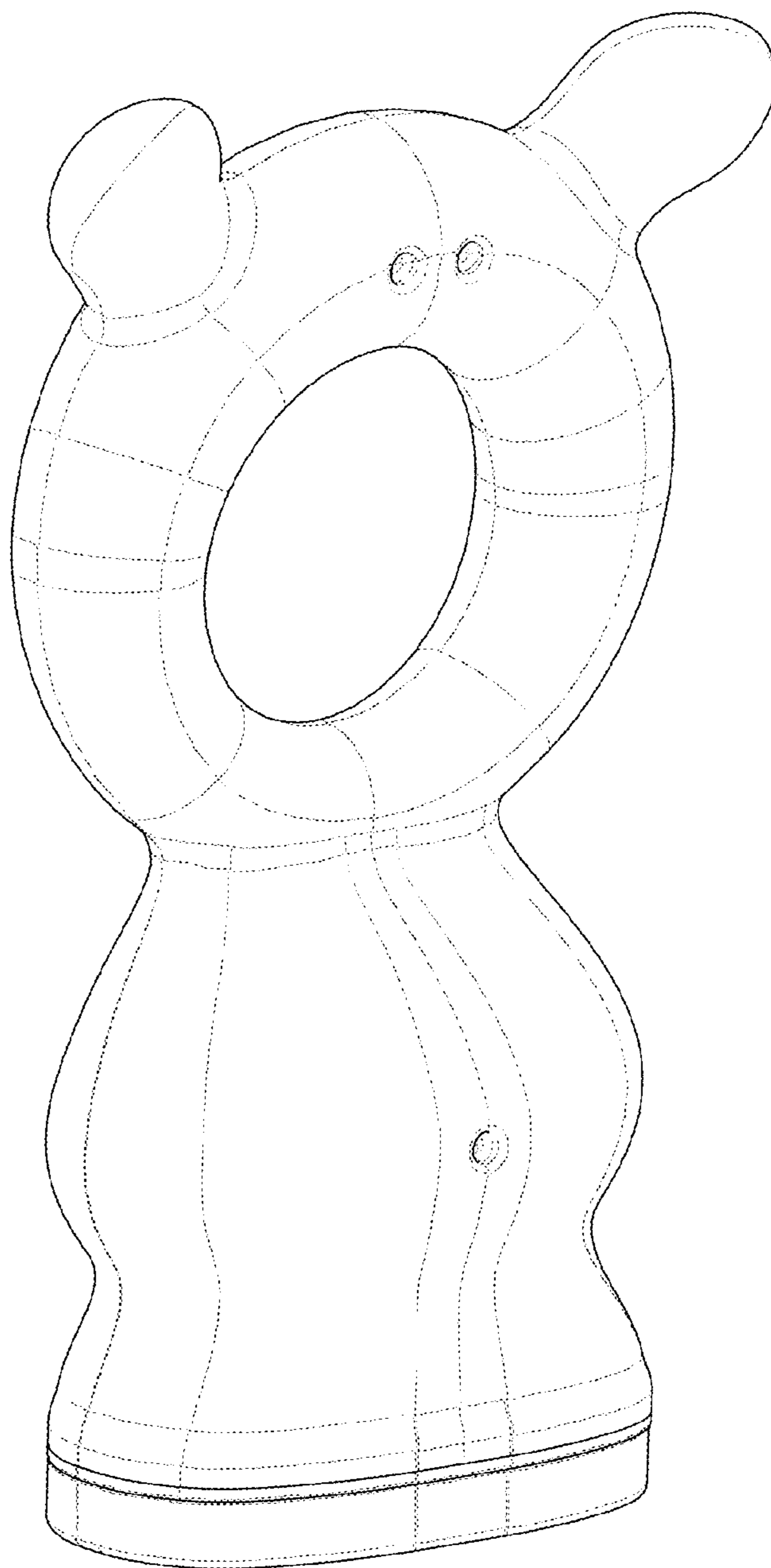


Fig. 1

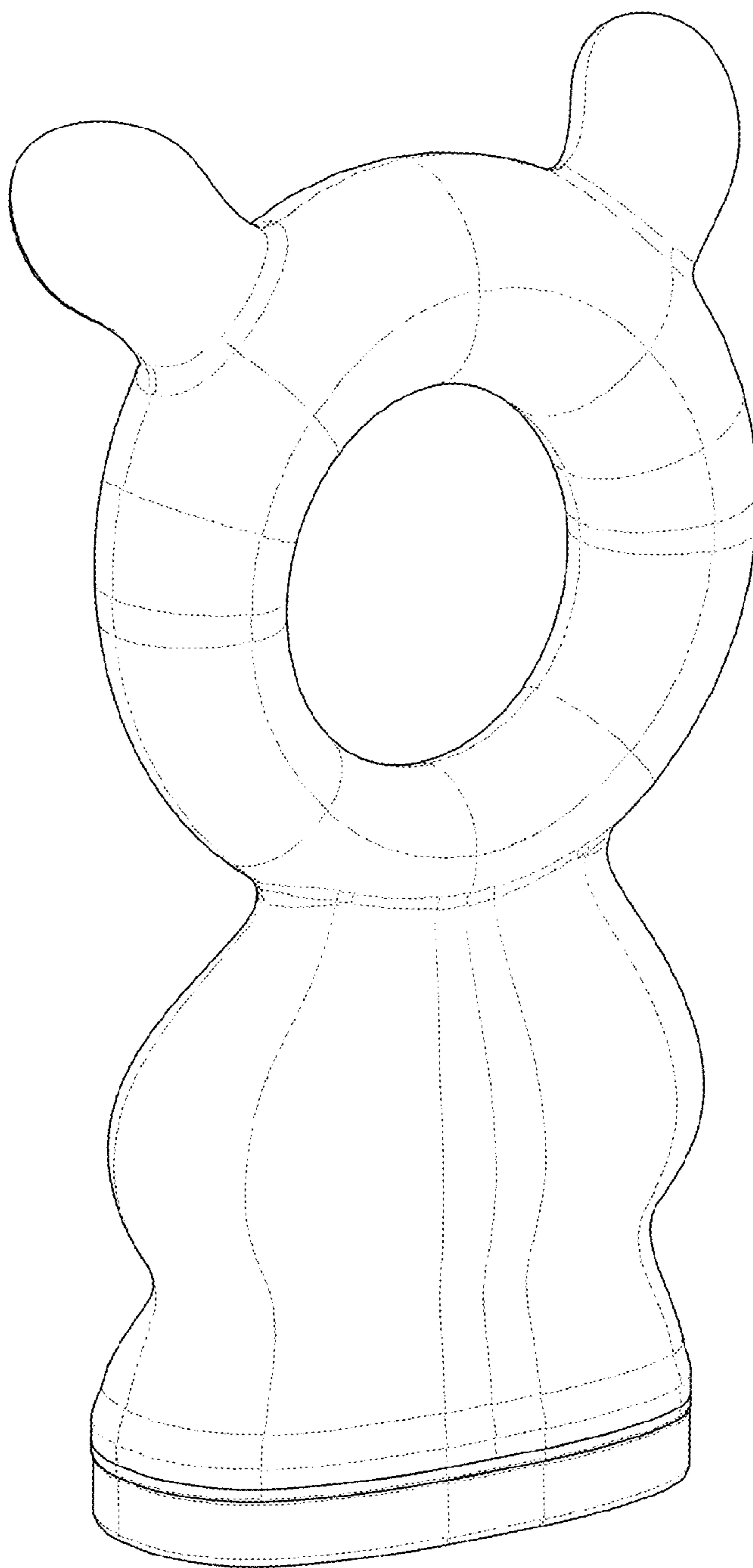


Fig. 2

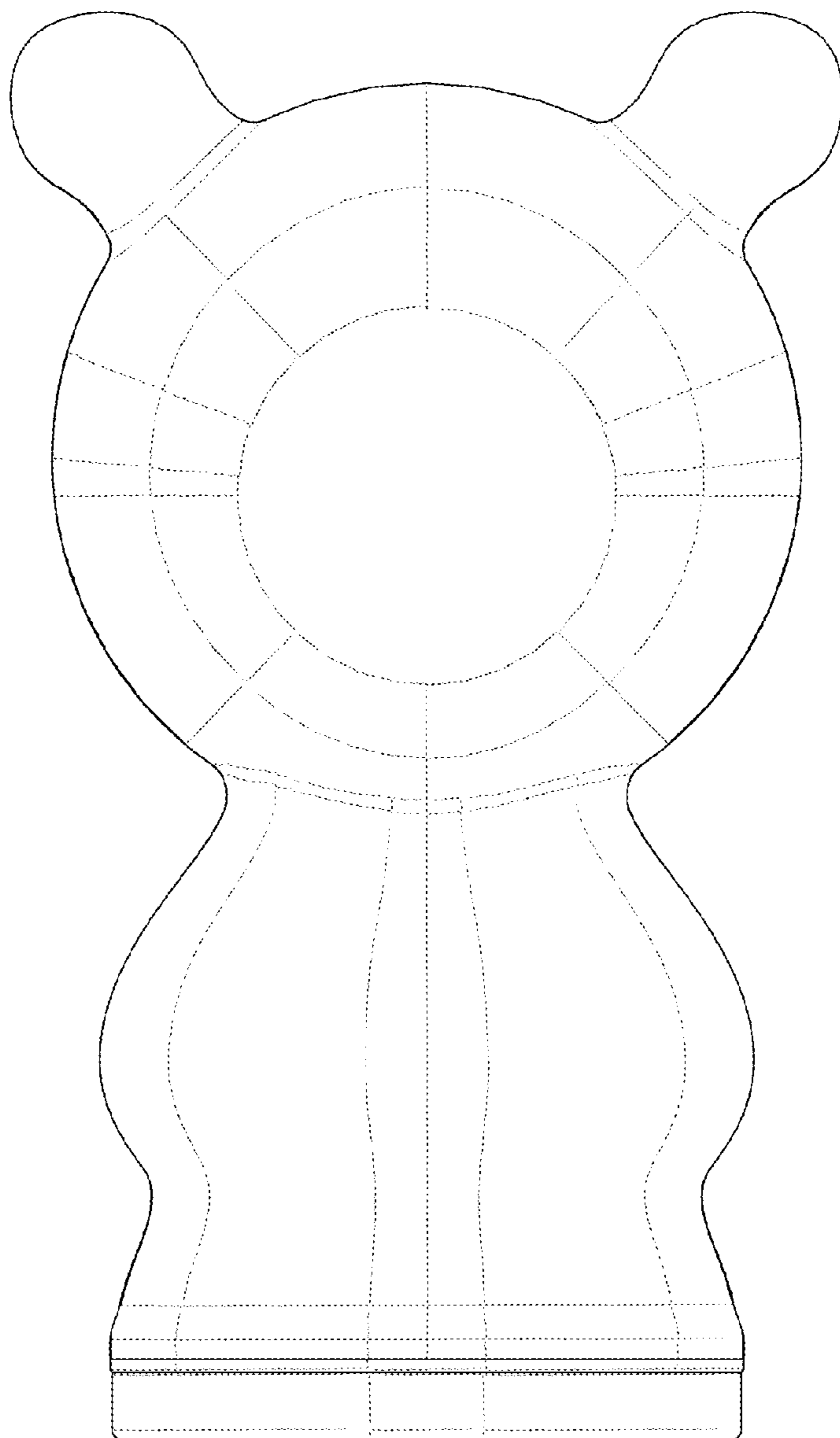


Fig. 3

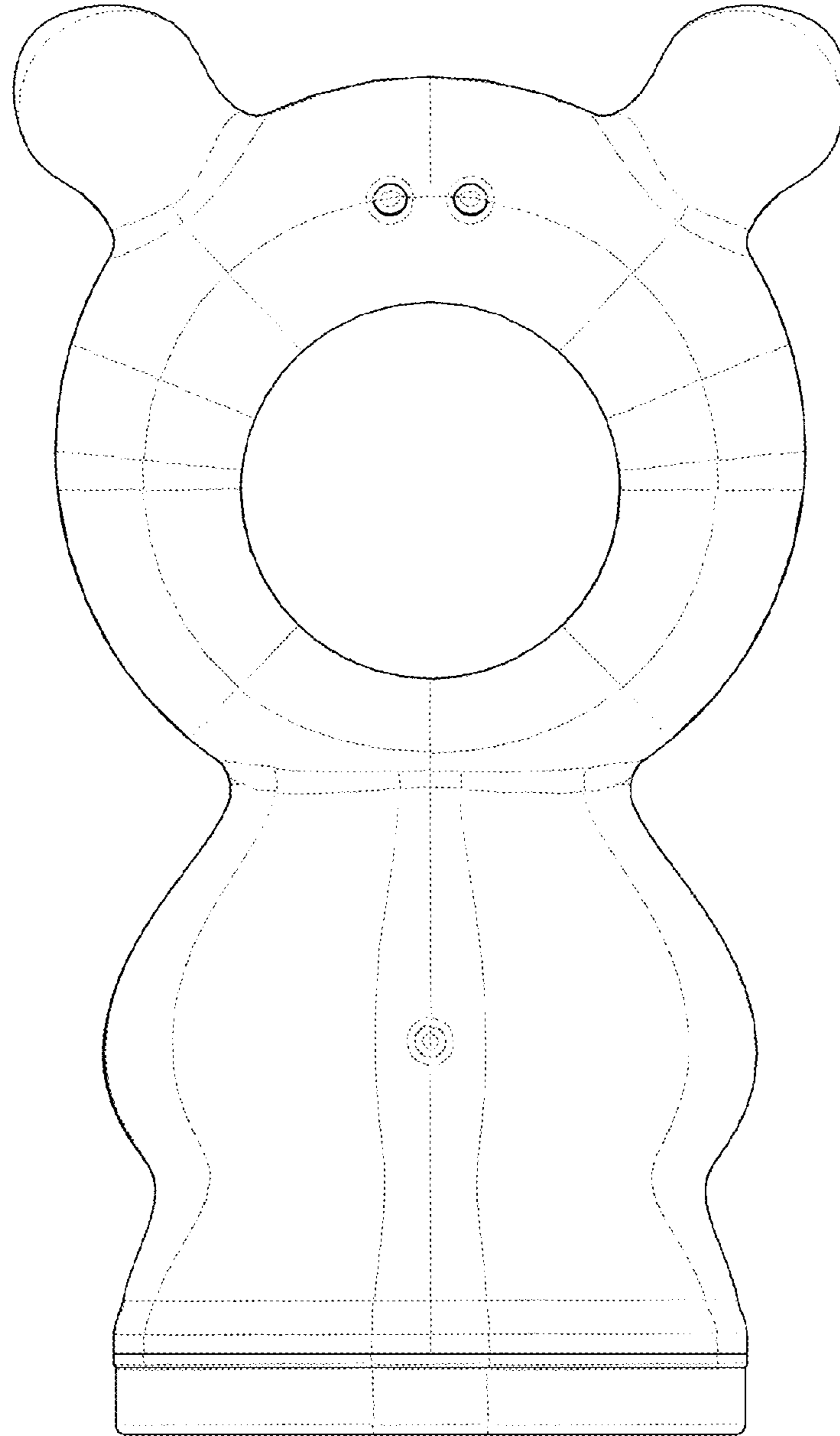


Fig. 4

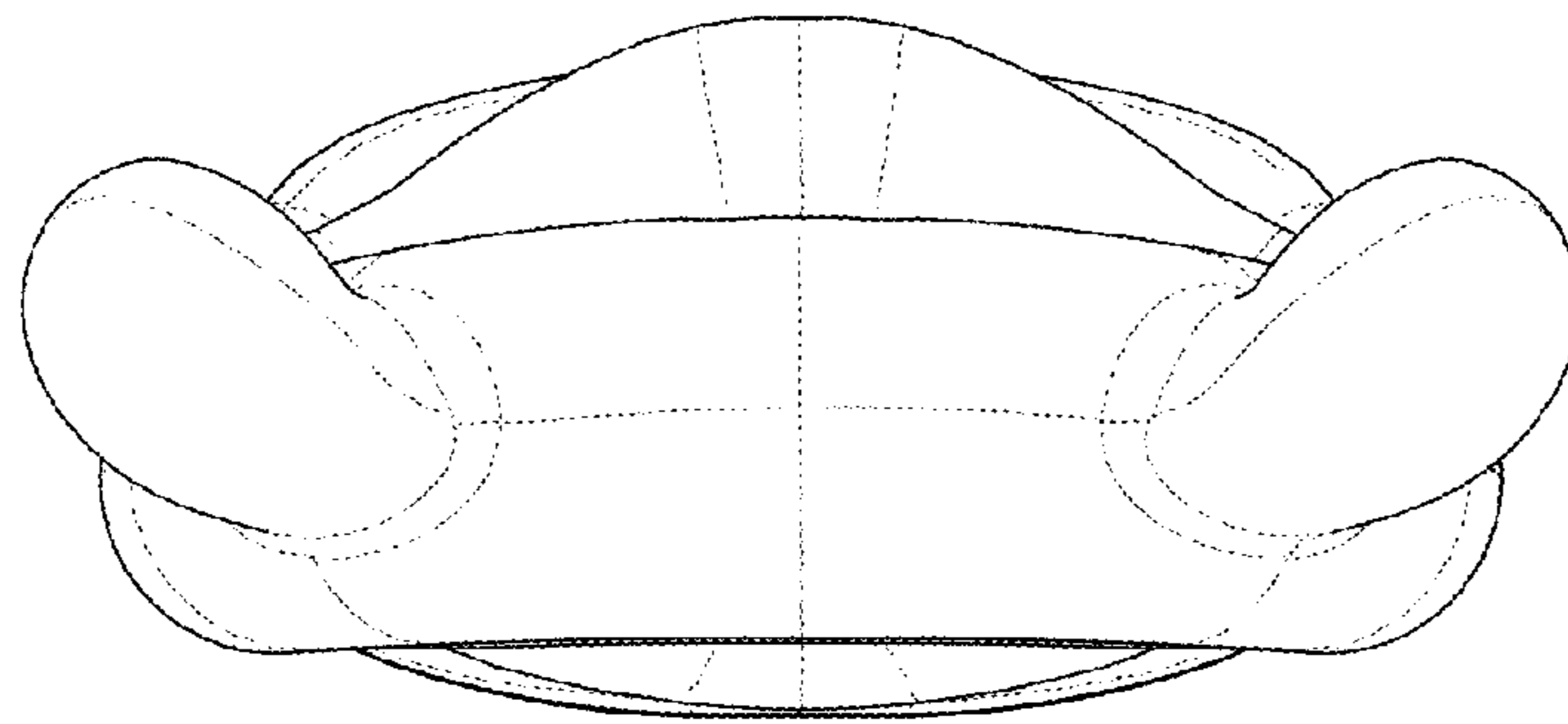


Fig. 5

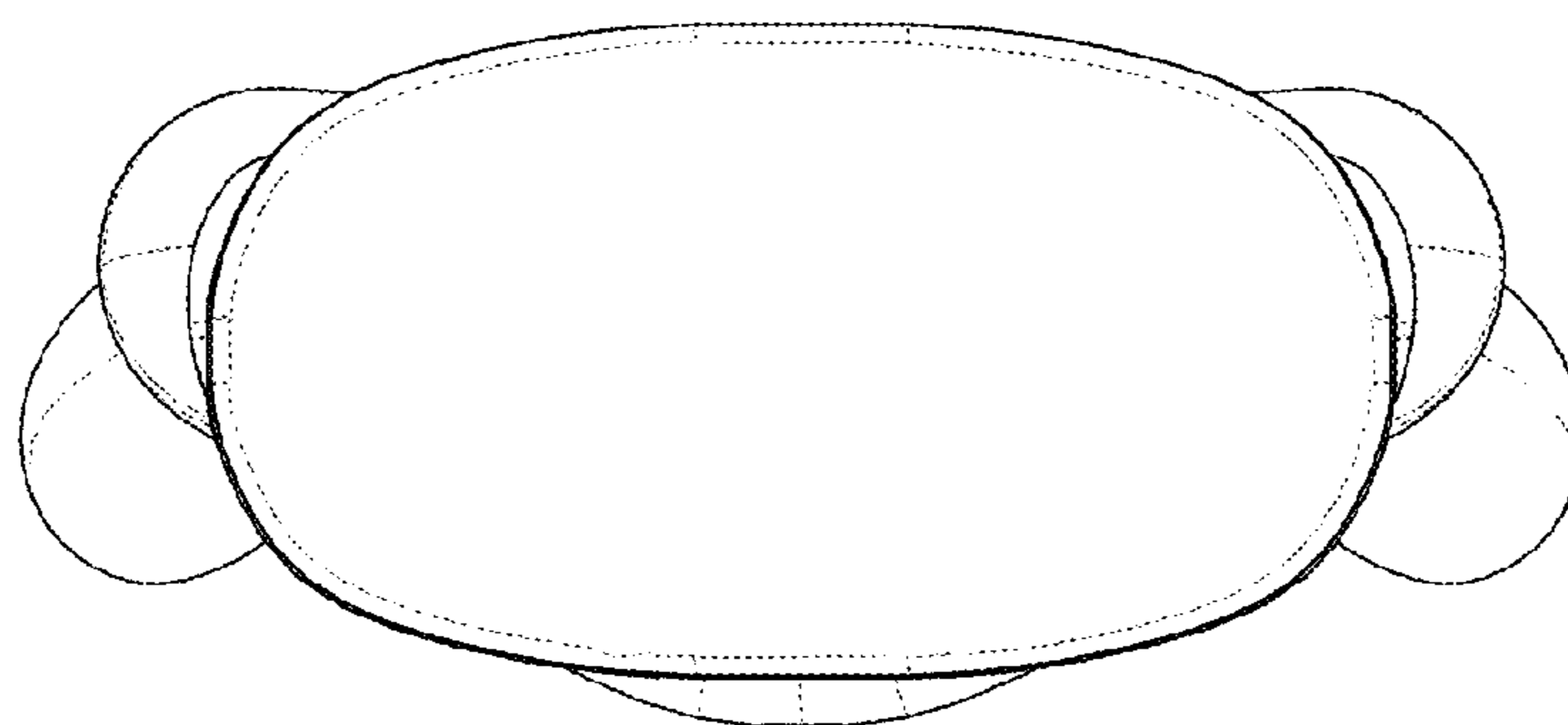


Fig. 6

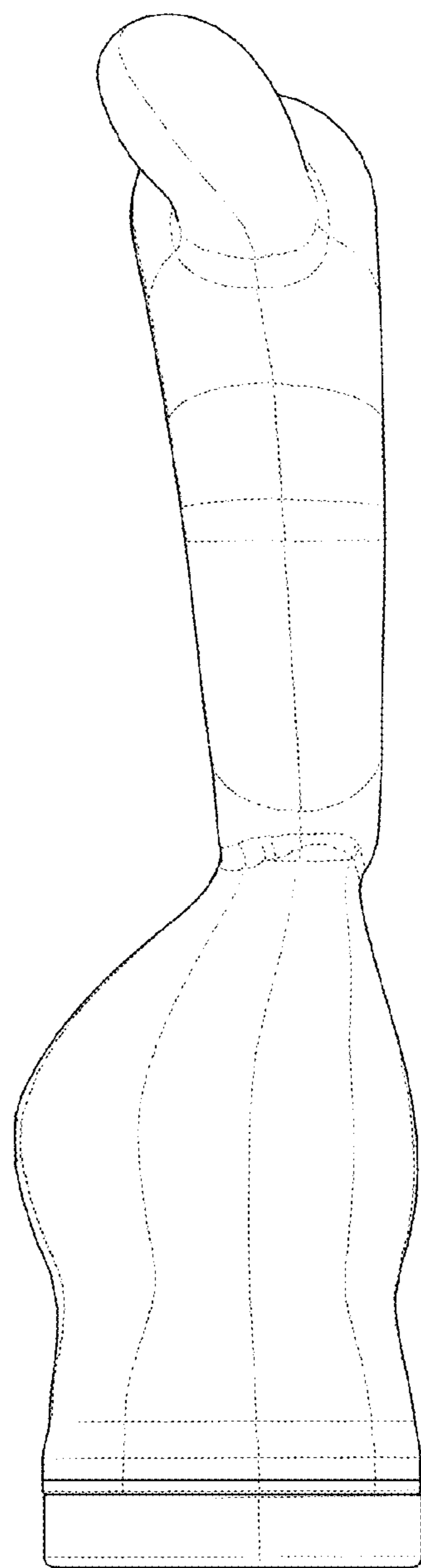


Fig. 7