



US00D683887S

(12) **United States Design Patent**
Sabernig

(10) **Patent No.:** **US D683,887 S**
(45) **Date of Patent:** **** Jun. 4, 2013**

- (54) **LAMP**
- (75) Inventor: **Robert Sabernig**, Munster (AT)
- (73) Assignee: **EGLO Leuchten GmbH**, Pill (AT)
- (**) Term: **14 Years**
- (21) Appl. No.: **29/431,325**
- (22) Filed: **Sep. 6, 2012**
- (51) **LOC (9) Cl.** **26-03**
- (52) **U.S. Cl.**
USPC **D26/93**
- (58) **Field of Classification Search**
USPC D26/24, 61–67, 93, 102, 104–106,
D26/108–109; 362/509, 516, 523, 186, 217,
362/255, 257, 277, 317, 319, 351, 354, 355,
362/357, 358, 362, 382, 410, 413, 417, 806
See application file for complete search history.

(56) **References Cited**

U.S. PATENT DOCUMENTS

D513,088 S *	12/2005	Baarman et al.	D26/106
D536,124 S *	1/2007	Liao	D26/106
D556,363 S *	11/2007	Komar et al.	D26/106
D639,489 S *	6/2011	Huang	D26/93
D673,321 S *	12/2012	Karkkainen	D26/93
D673,716 S *	1/2013	Huang	D26/93

* cited by examiner

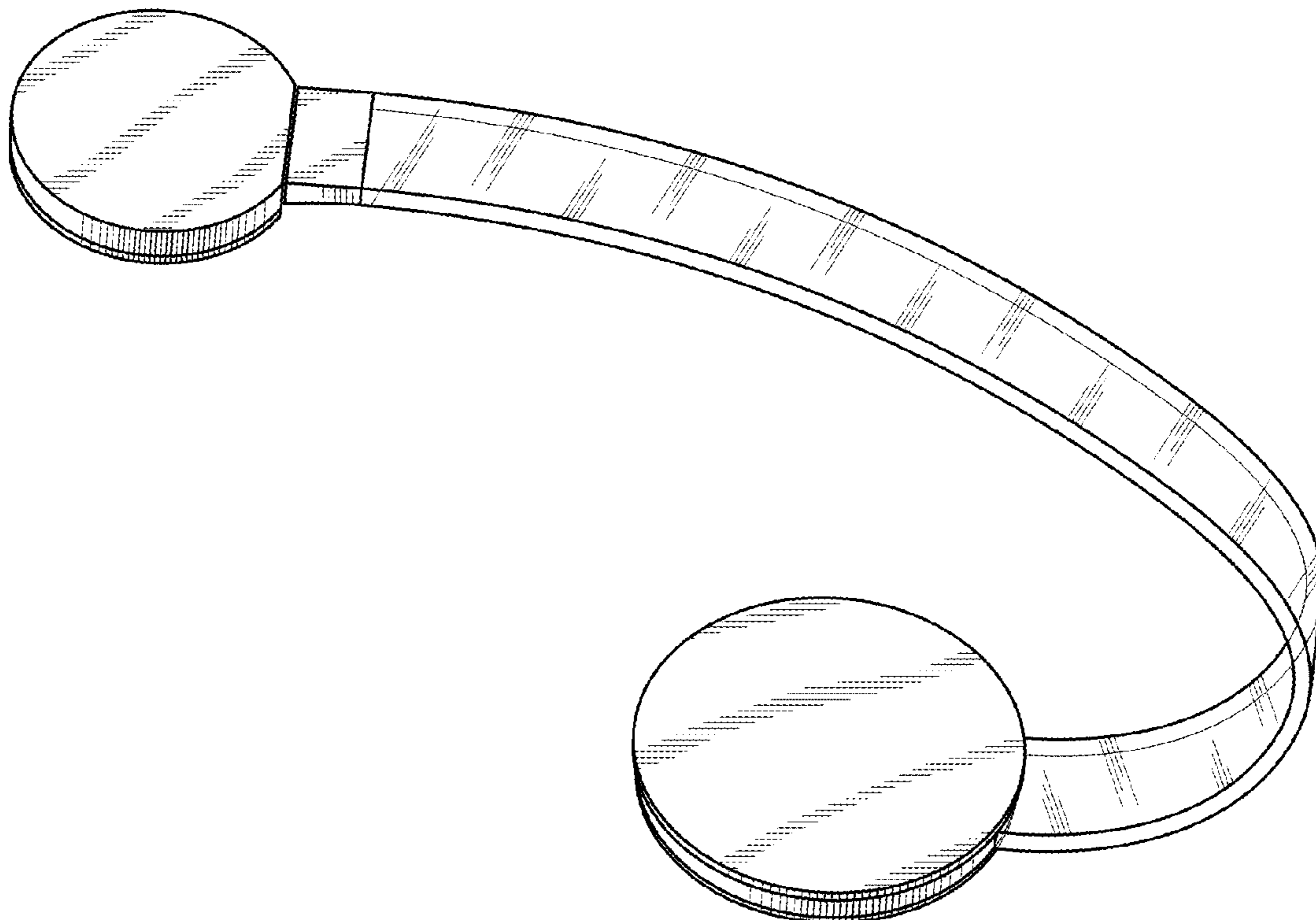
Primary Examiner — Brian N Vinson
(74) *Attorney, Agent, or Firm* — Baker & McKenzie LLP

(57) **CLAIM**
The ornamental design for a lamp, as shown and described.

DESCRIPTION

FIG. 1 is a front perspective view of a lamp in accordance with my design;
 FIG. 2 is a back perspective view of the lamp in accordance with my design;
 FIG. 3 is a front elevation view of the lamp in accordance with my design;
 FIG. 4 is a back elevation view of the lamp in accordance with my design;
 FIG. 5 is a top plan view of the lamp in accordance with my design;
 FIG. 6 is a bottom plan view of the lamp in accordance with my design; and,
 FIG. 7 is a side elevation view of the lamp in accordance with my design, the other side being a mirror image thereof.
 The broken-line disclosure of elements is understood to represent portions of the article in which the design is embodied, but which form no part of the claimed design.

1 Claim, 4 Drawing Sheets



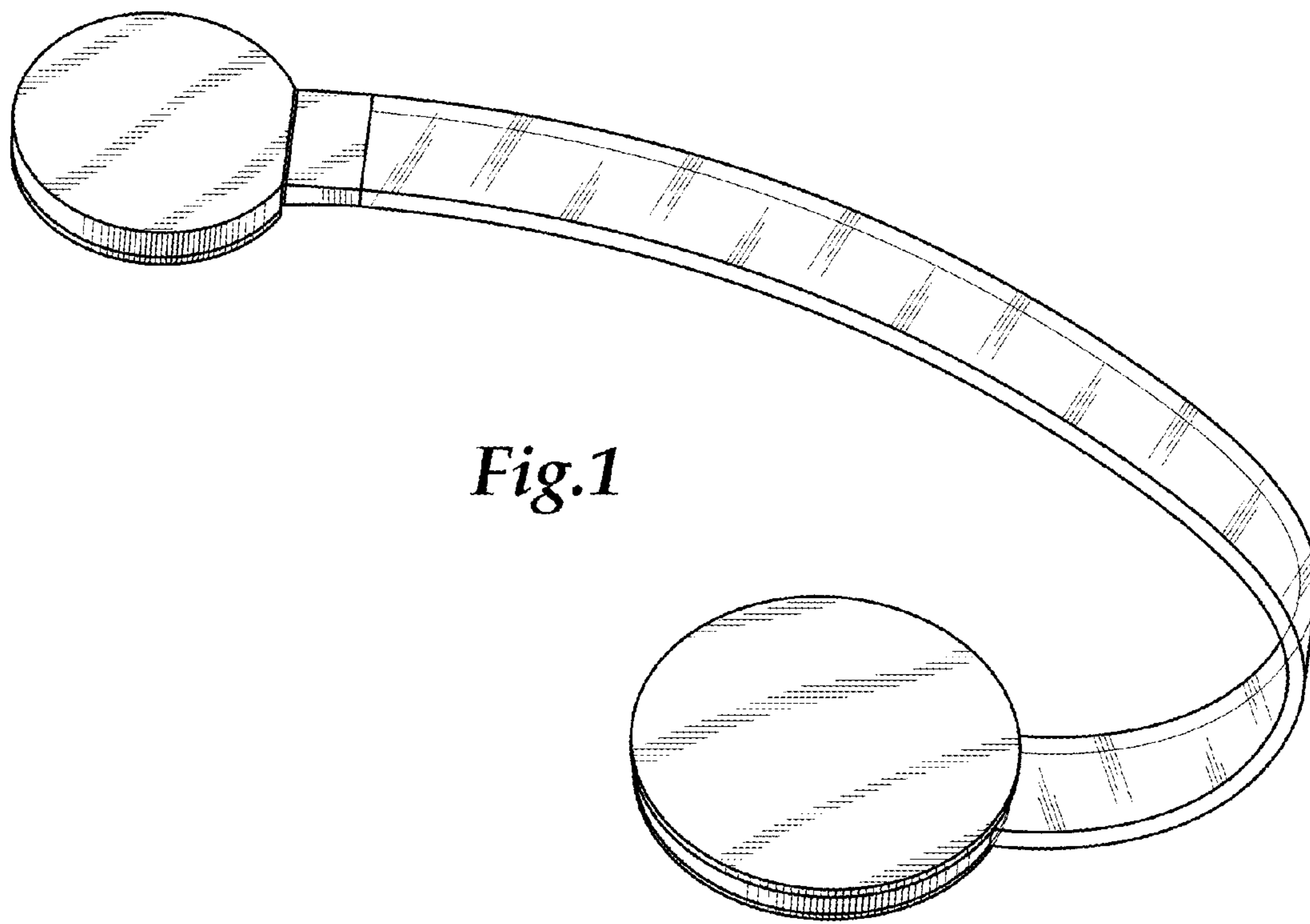


Fig.1

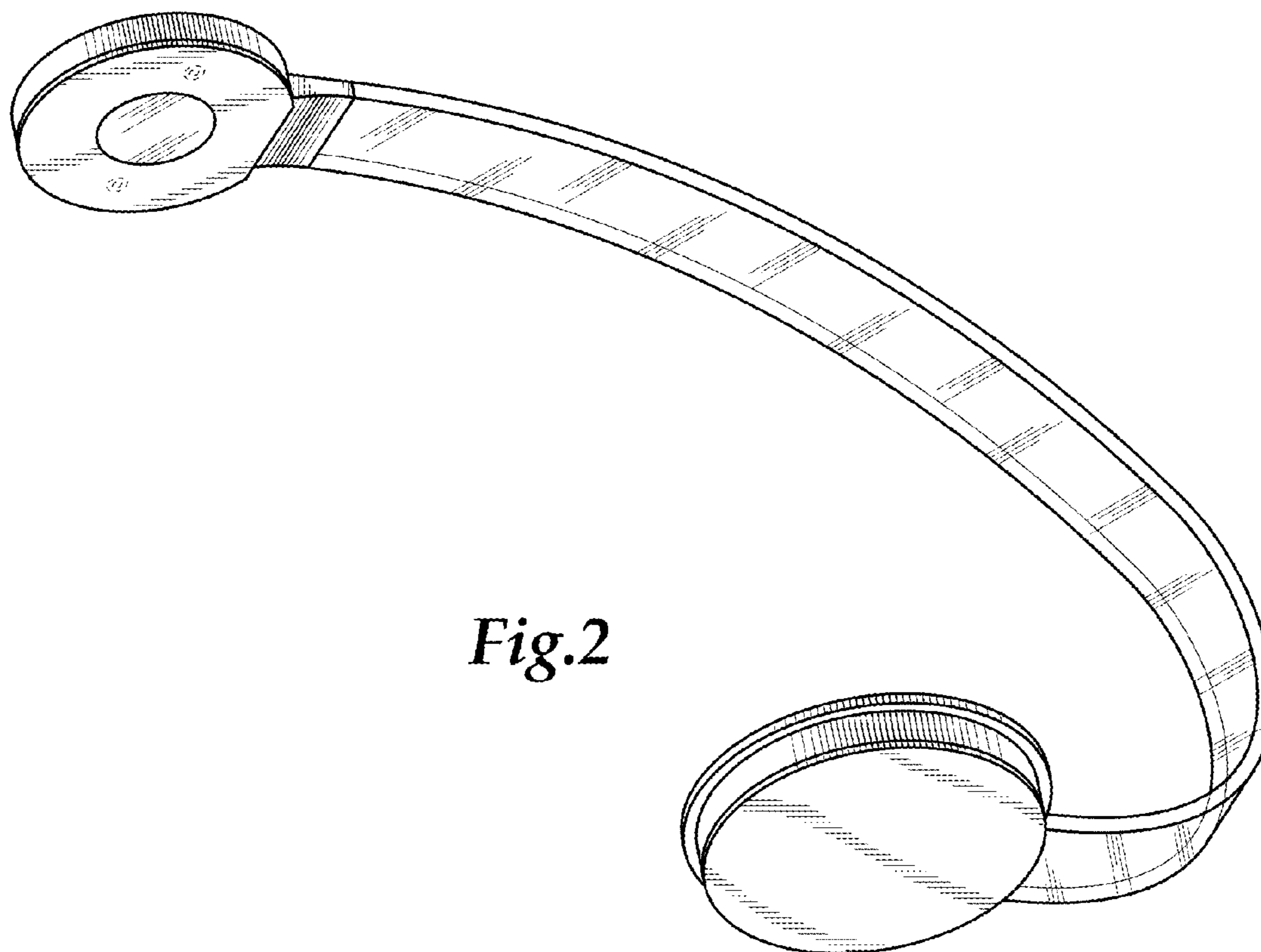


Fig.2

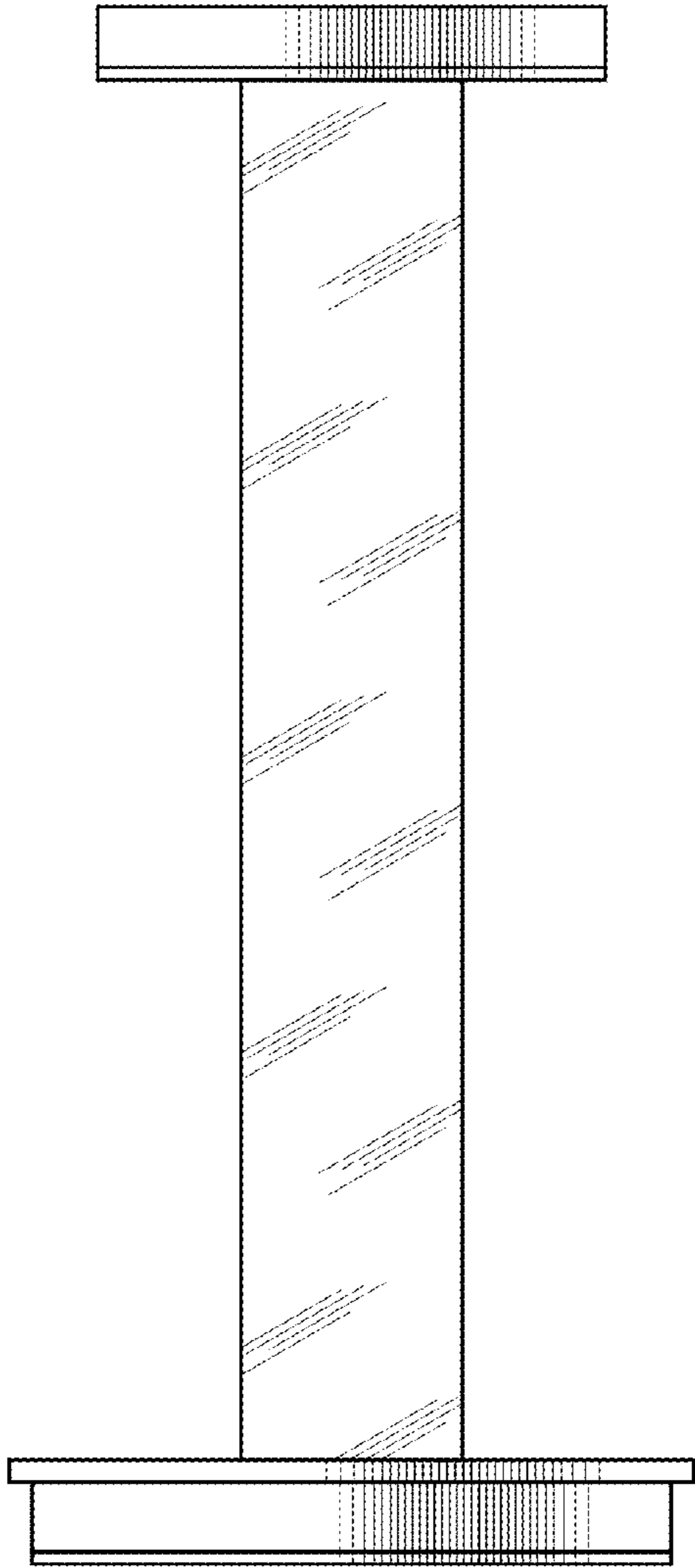


Fig.3

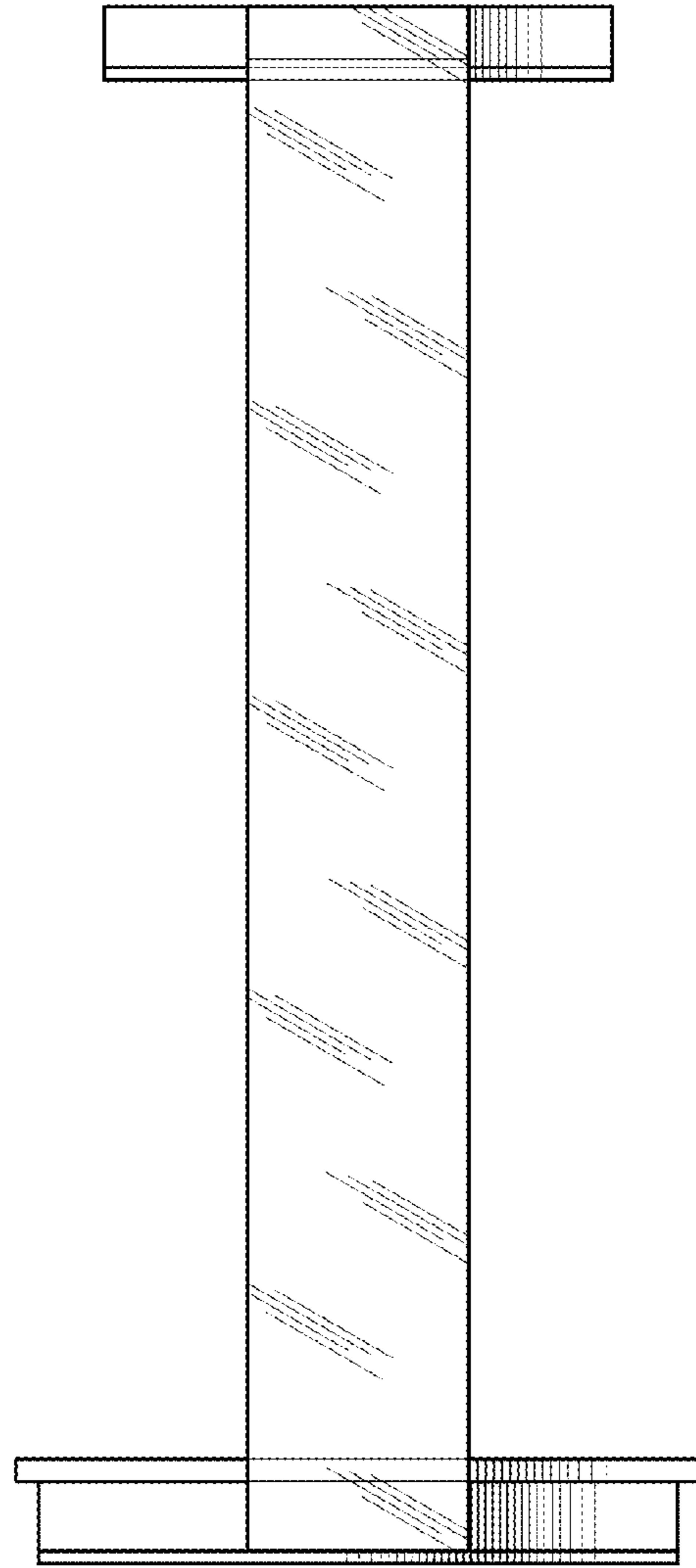


Fig.4

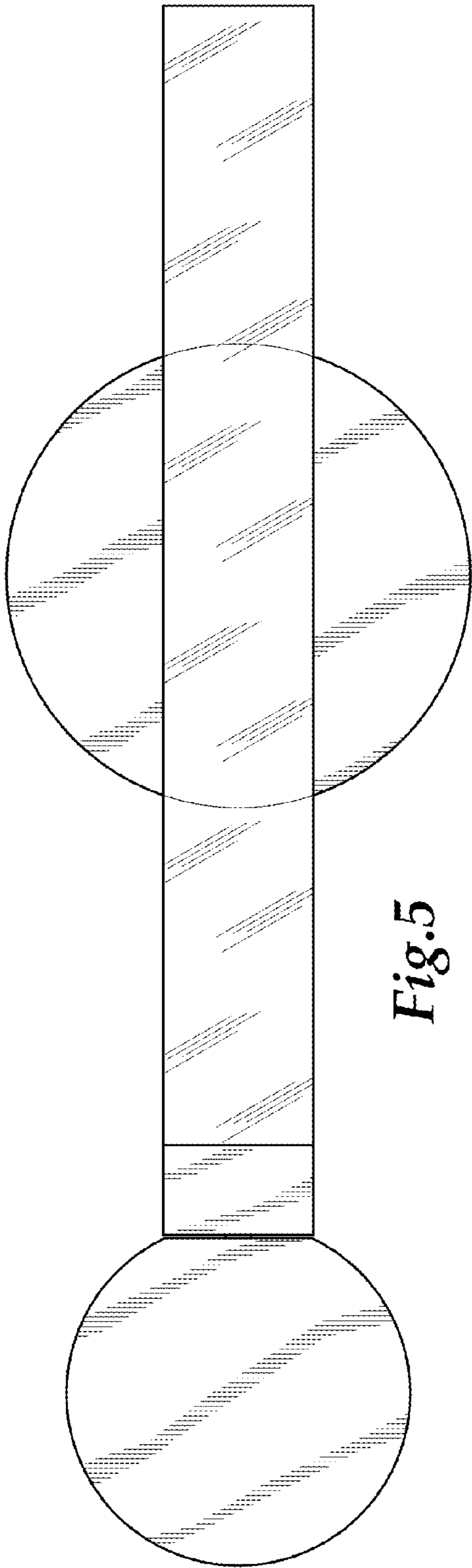


Fig. 5

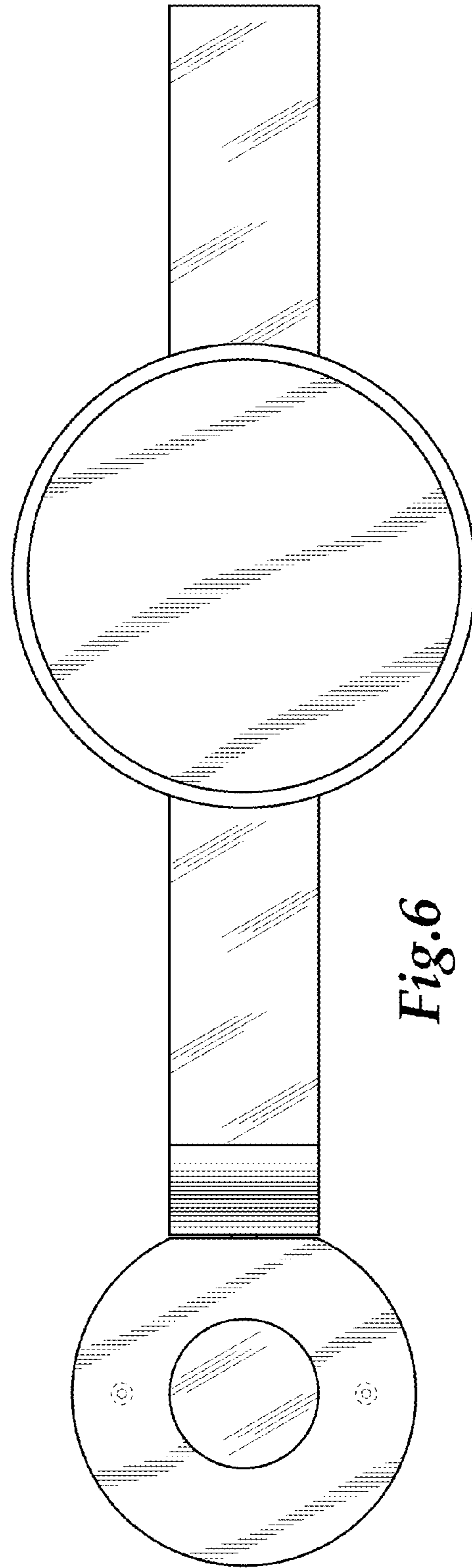


Fig. 6

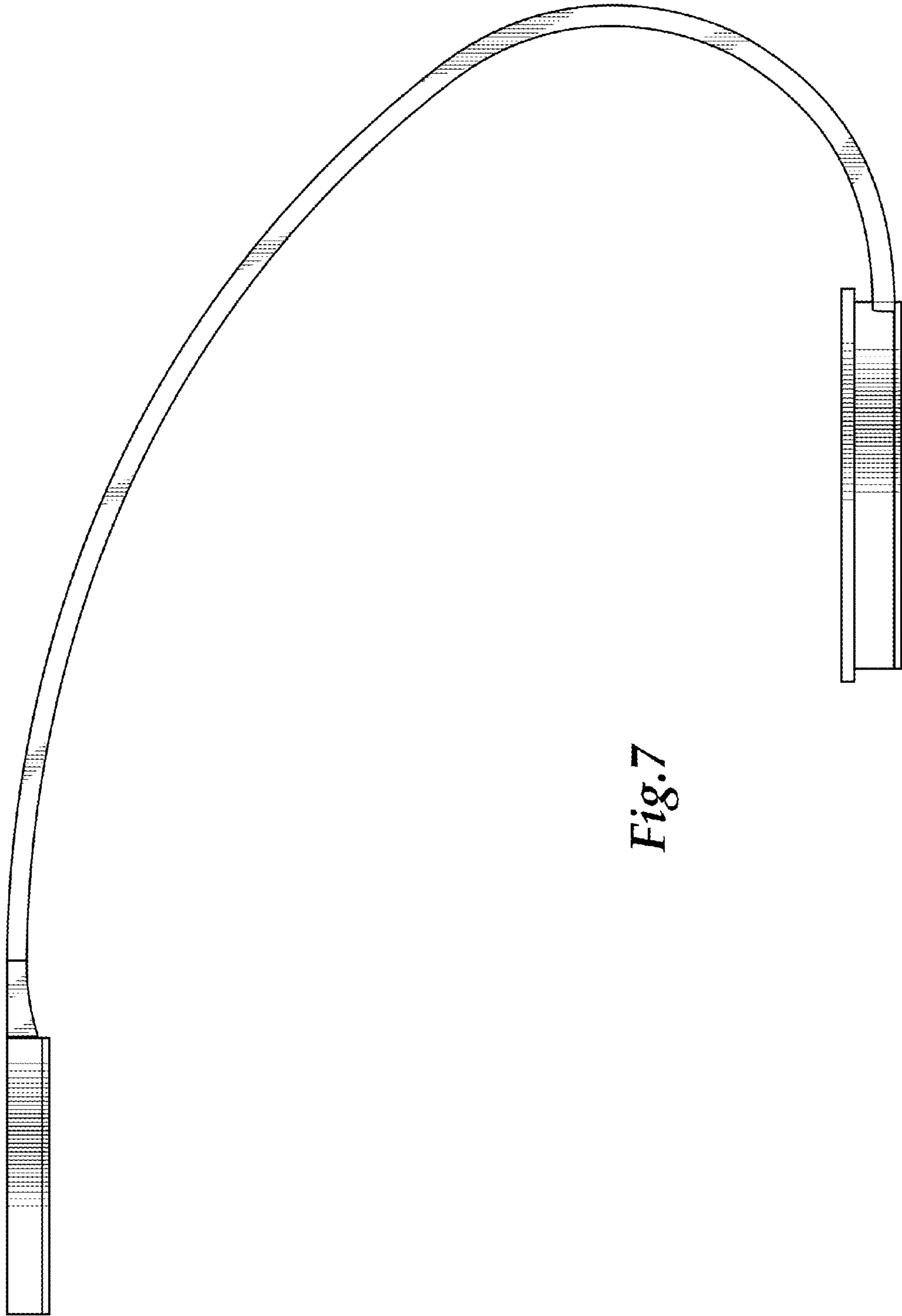


Fig. 7