



US00D683883S

(12) **United States Design Patent**  
**Yorio et al.**

(10) **Patent No.:** **US D683,883 S**  
(45) **Date of Patent:** **\*\* Jun. 4, 2013**

(54) **LIGHT FIXTURE ADAPTED TO INTERFACE WITH A WALL STRUCTURE**

(75) Inventors: **Neil Yorio**, Indian Harbour Beach, FL (US); **John Lyons**, Glasgow (GB)

(73) Assignee: **Lighting Science Group Corporation**, Satellite Beach, FL (US)

(\*\*) Term: **14 Years**

(21) Appl. No.: **29/420,165**

(22) Filed: **May 4, 2012**

(51) **LOC (9) Cl.** ..... **26-05**

(52) **U.S. Cl.**  
USPC ..... **D26/74**

(58) **Field of Classification Search**  
USPC ..... D26/74, 72, 75, 76, 77, 78, 79, 113, D26/118, 120, 122, 138, 141, 152; 362/482, 362/145, 147, 148, 150, 151, 152, 153, 153.1, 362/218, 217.02, 217.03, 217.05, 217.07, 362/217.08, 217.09, 217.1, 217.11, 217.14, 362/217.15, 342, 346, 347, 364, 365, 366, 362/800, 260, 279, 280, 290, 291, 292, 294, 362/296.01, 297, 298, 299, 300, 301, 310, 362/296.07, 311.02, 311.01, 311.09; D5/54, D5/58

See application file for complete search history.

(56) **References Cited**

**U.S. PATENT DOCUMENTS**

D320,866 S \* 10/1991 Stringer et al. .... D26/138  
D321,949 S \* 11/1991 Miller ..... D26/74  
D322,681 S \* 12/1991 Yuen ..... D26/38  
6,808,292 B2 \* 10/2004 Wong ..... 362/656  
D525,381 S \* 7/2006 Hodgson ..... D26/60

D544,622 S \* 6/2007 Cheng ..... D26/46  
D593,247 S \* 5/2009 Maxik et al. .... D26/113  
D604,006 S \* 11/2009 Silver ..... D26/88  
D625,455 S \* 10/2010 Sonneman ..... D26/85  
D641,926 S \* 7/2011 Camarota et al. .... D26/140

\* cited by examiner

*Primary Examiner* — Angela J Lee

(74) *Attorney, Agent, or Firm* — Mark R. Malek; Zies Widerman & Malek

(57) **CLAIM**

The ornamental design of a light fixture adapted to interface with a wall structure, as shown and described.

**DESCRIPTION**

FIG. 1 is a perspective view of a light fixture adapted to interface with a wall structure according to the present invention.

FIG. 2 is an exploded perspective view of the light fixture illustrated in FIG. 1.

FIG. 3 is another exploded perspective view of the light fixture illustrated in FIG. 1.

FIG. 4 is still another exploded perspective view of the light fixture illustrated in FIG. 1.

FIG. 5 is a side elevation view of the light fixture adapted to interface with a wall structure in an alternate position.

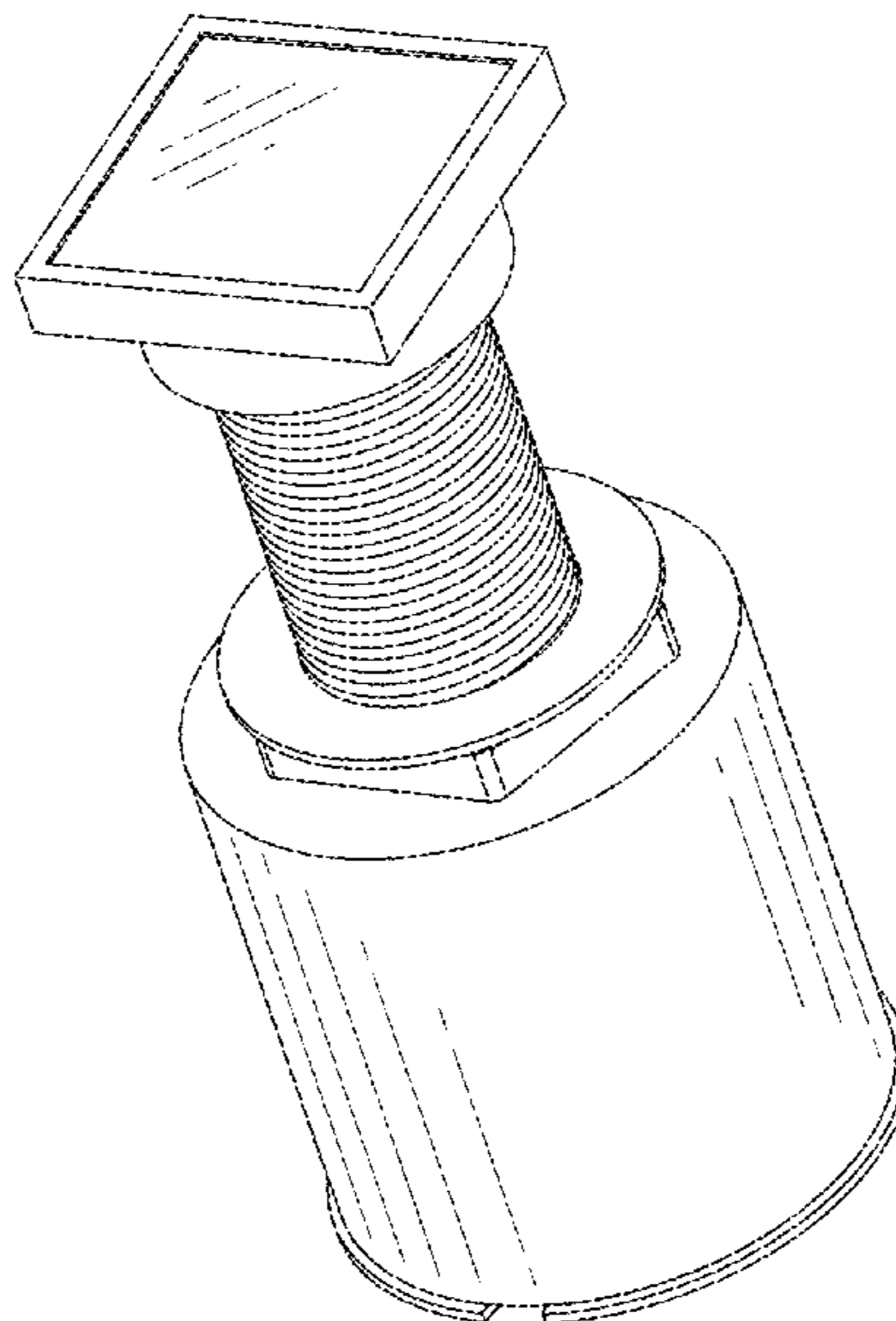
FIG. 6 is an exploded side elevation view of the light fixture adapted to interface with a wall structure.

FIG. 7 is a bottom plan view of the light fixture illustrated in FIG. 1; and,

FIG. 8 is a top plan view of the light fixture illustrated in FIG. 1.

The broken lines shown in the drawings represent positions of a wall structure and sleeve that form no part of the claimed design.

**1 Claim, 6 Drawing Sheets**



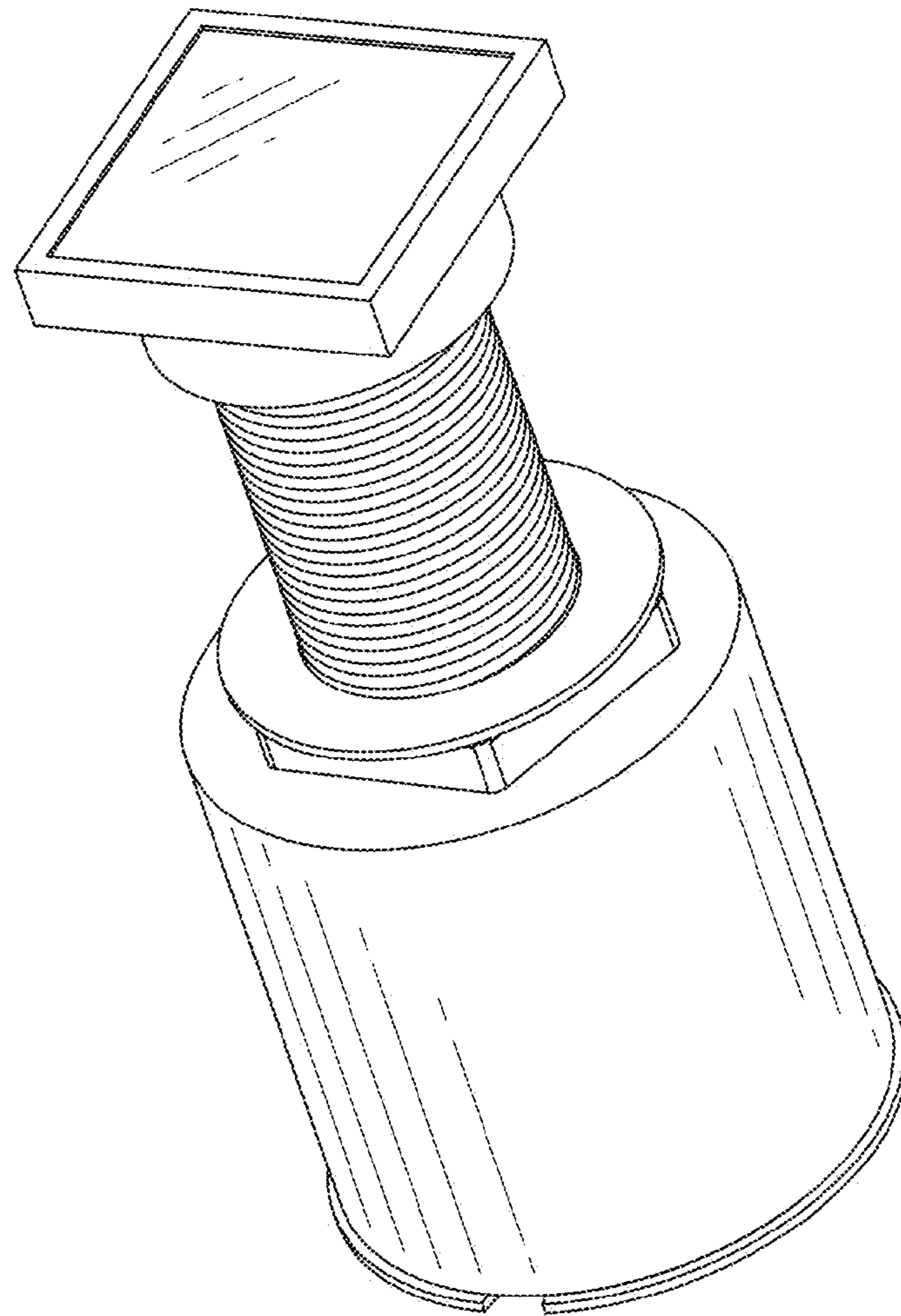


Fig. 1

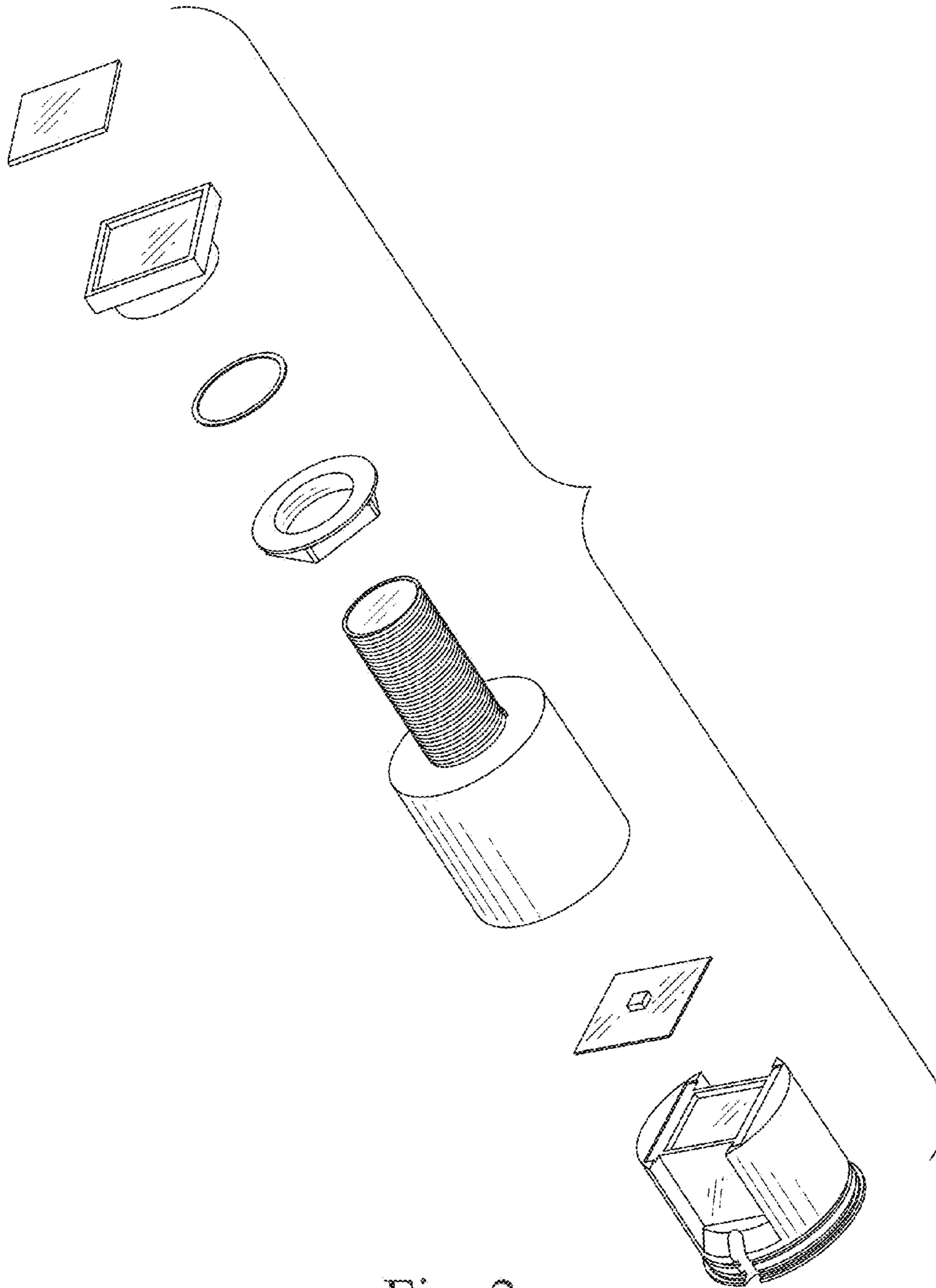


Fig. 2

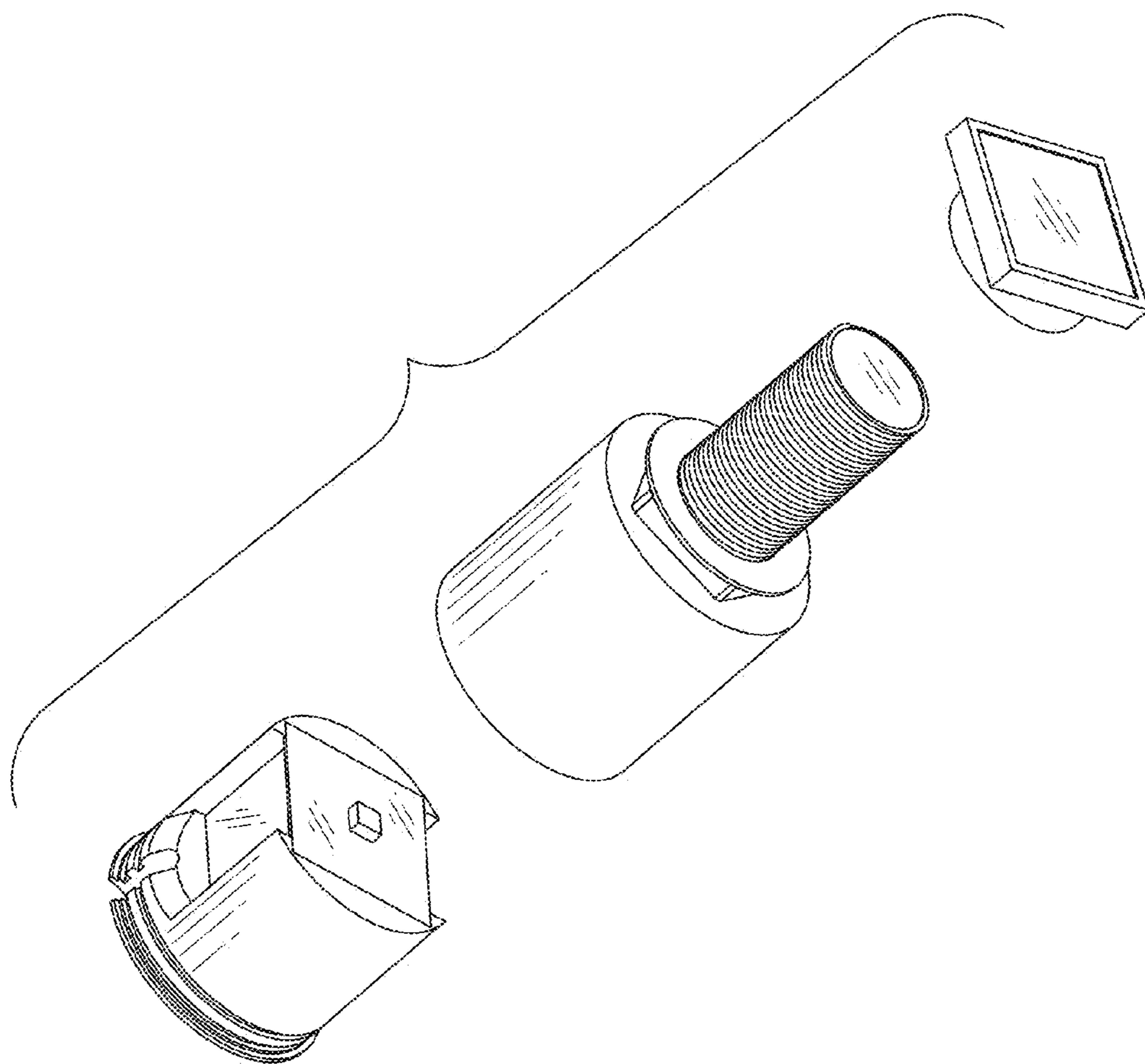


Fig. 3

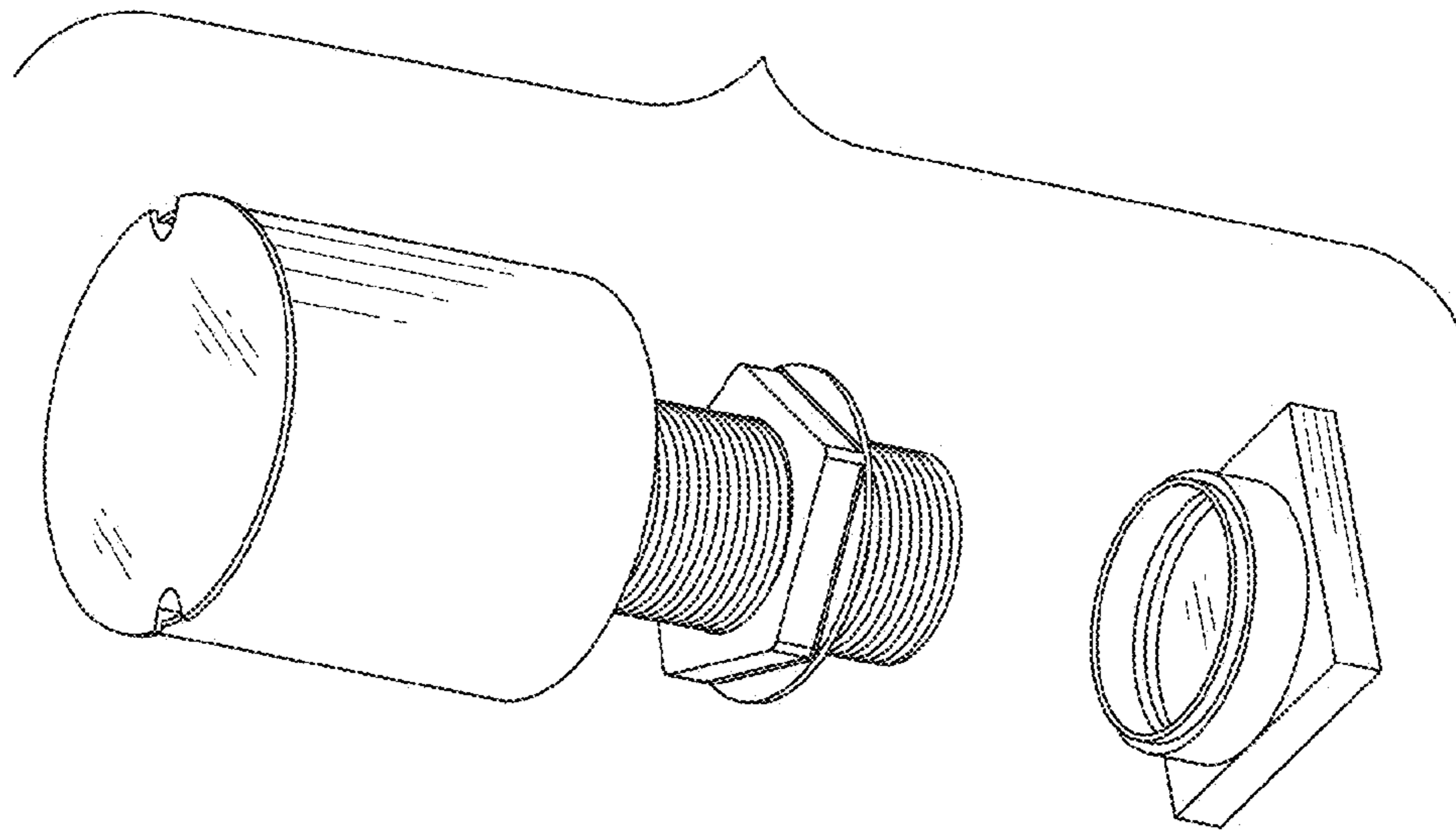


Fig. 4

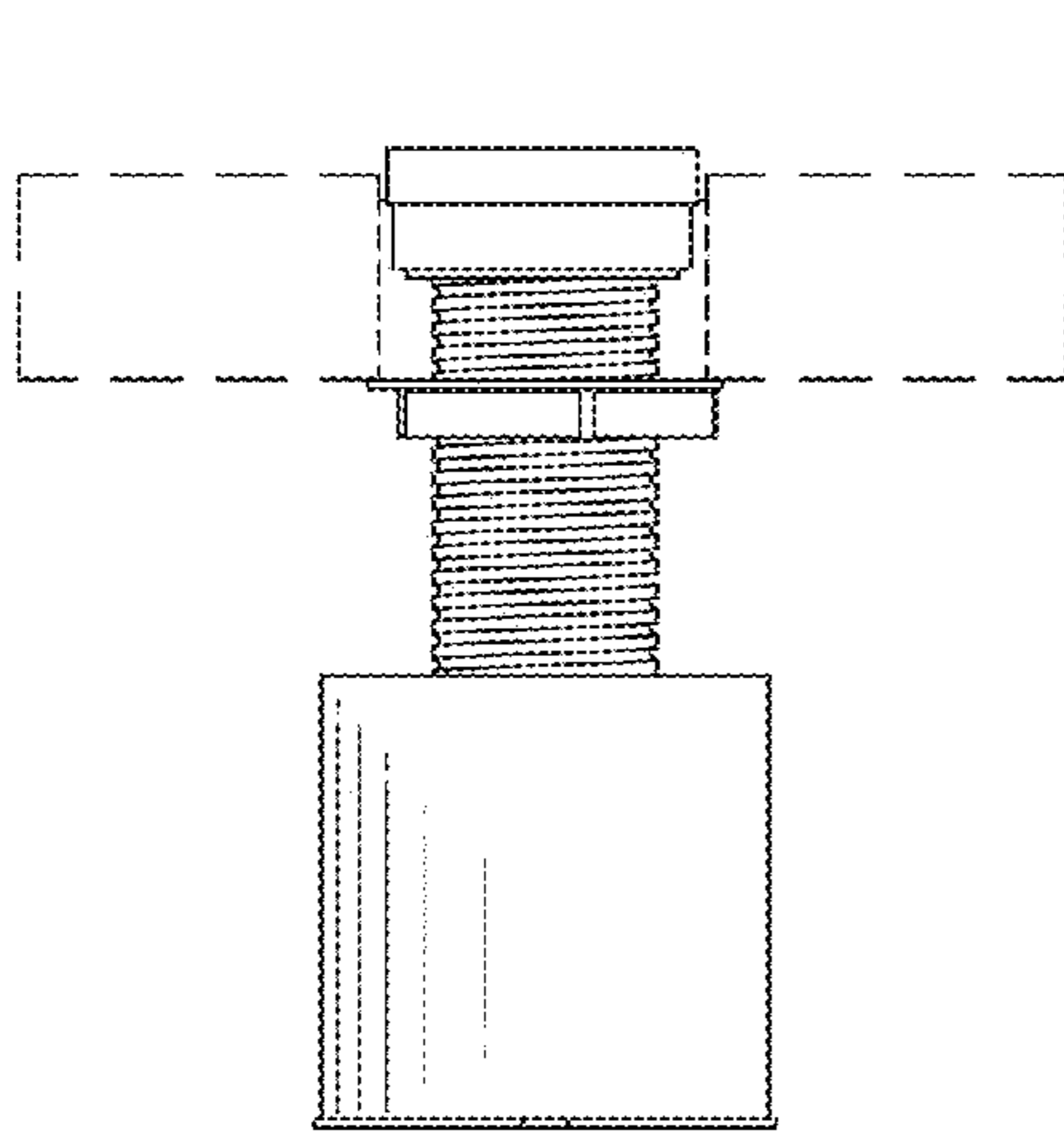


Fig. 5

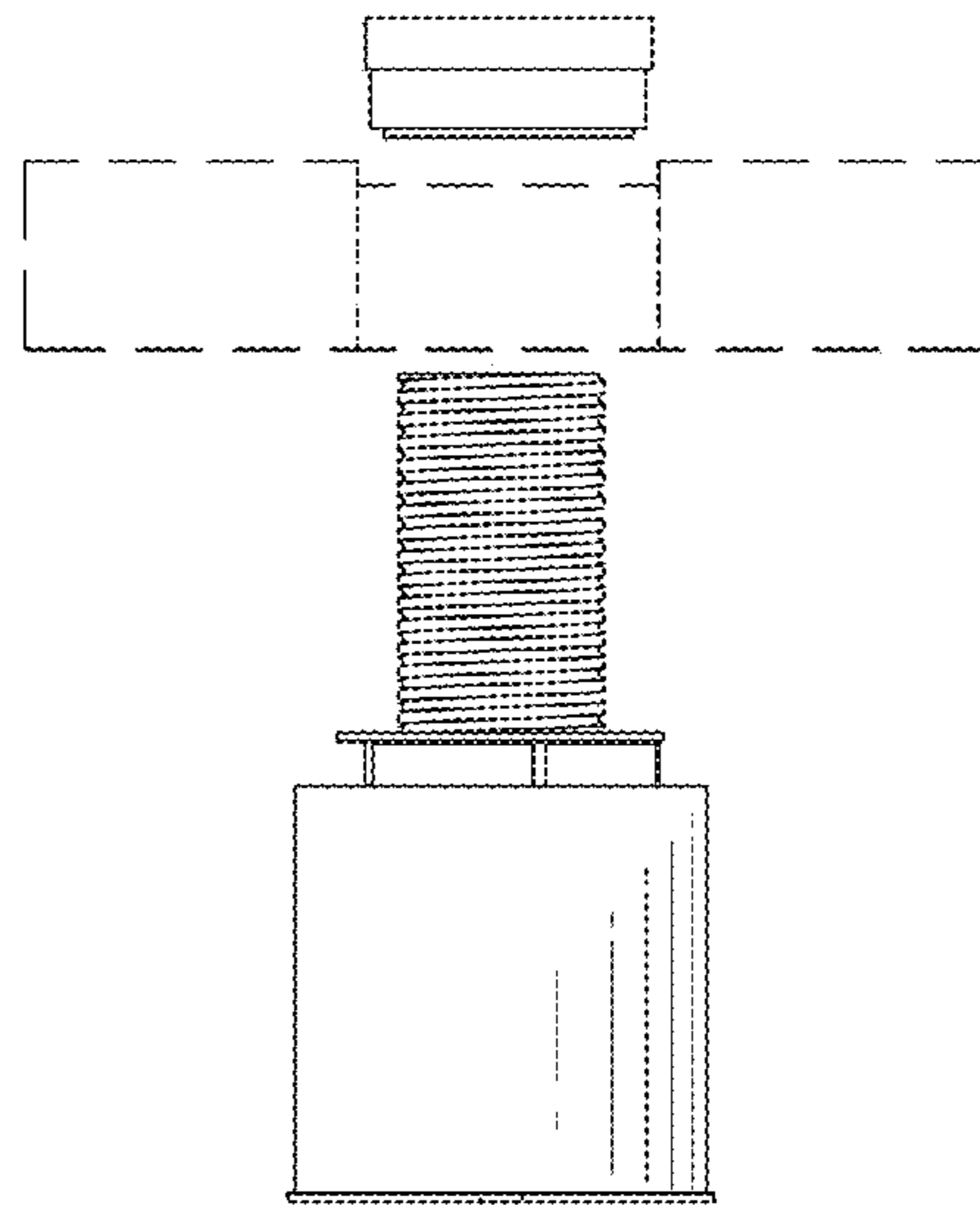


Fig. 6

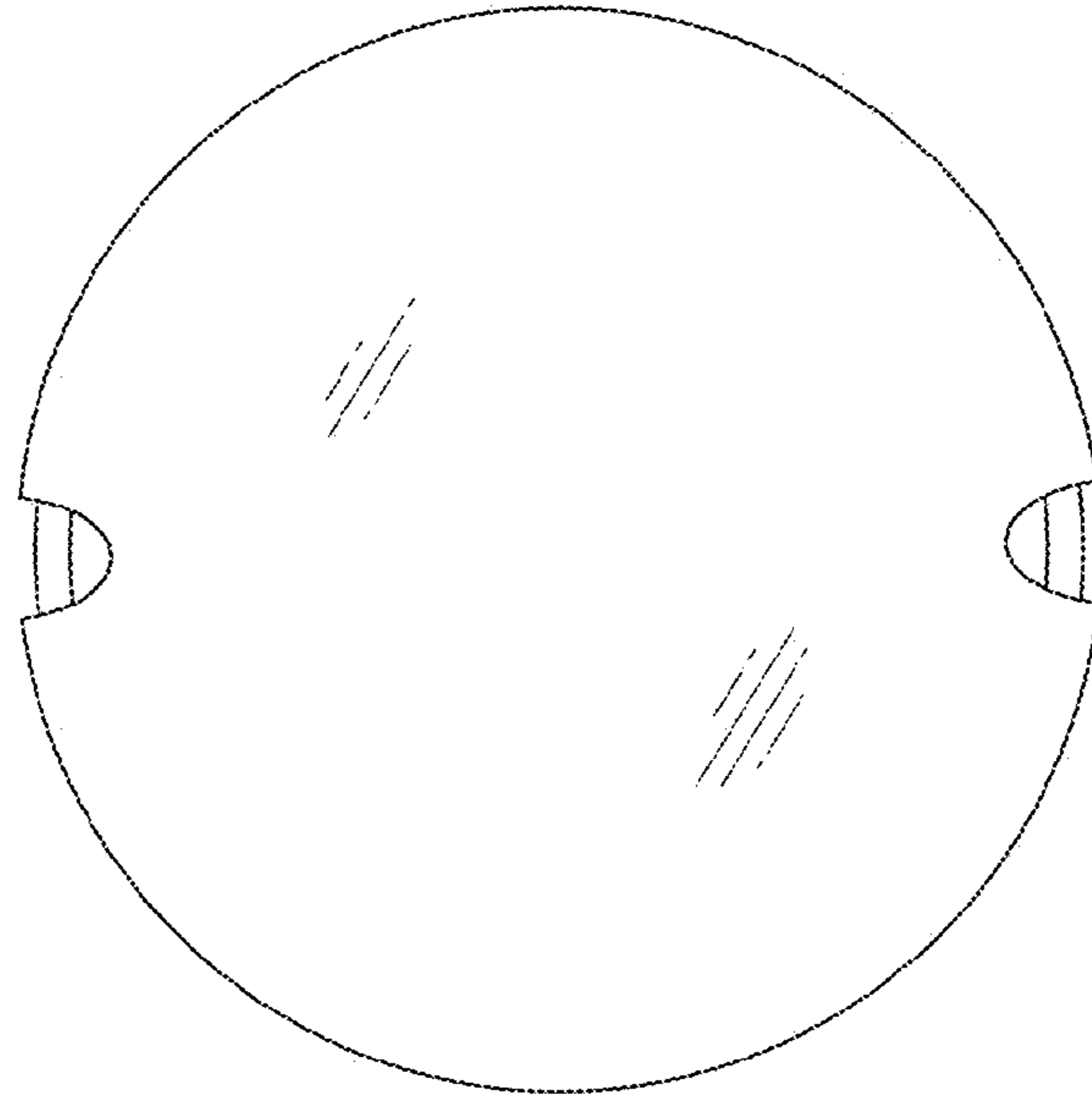


Fig. 7

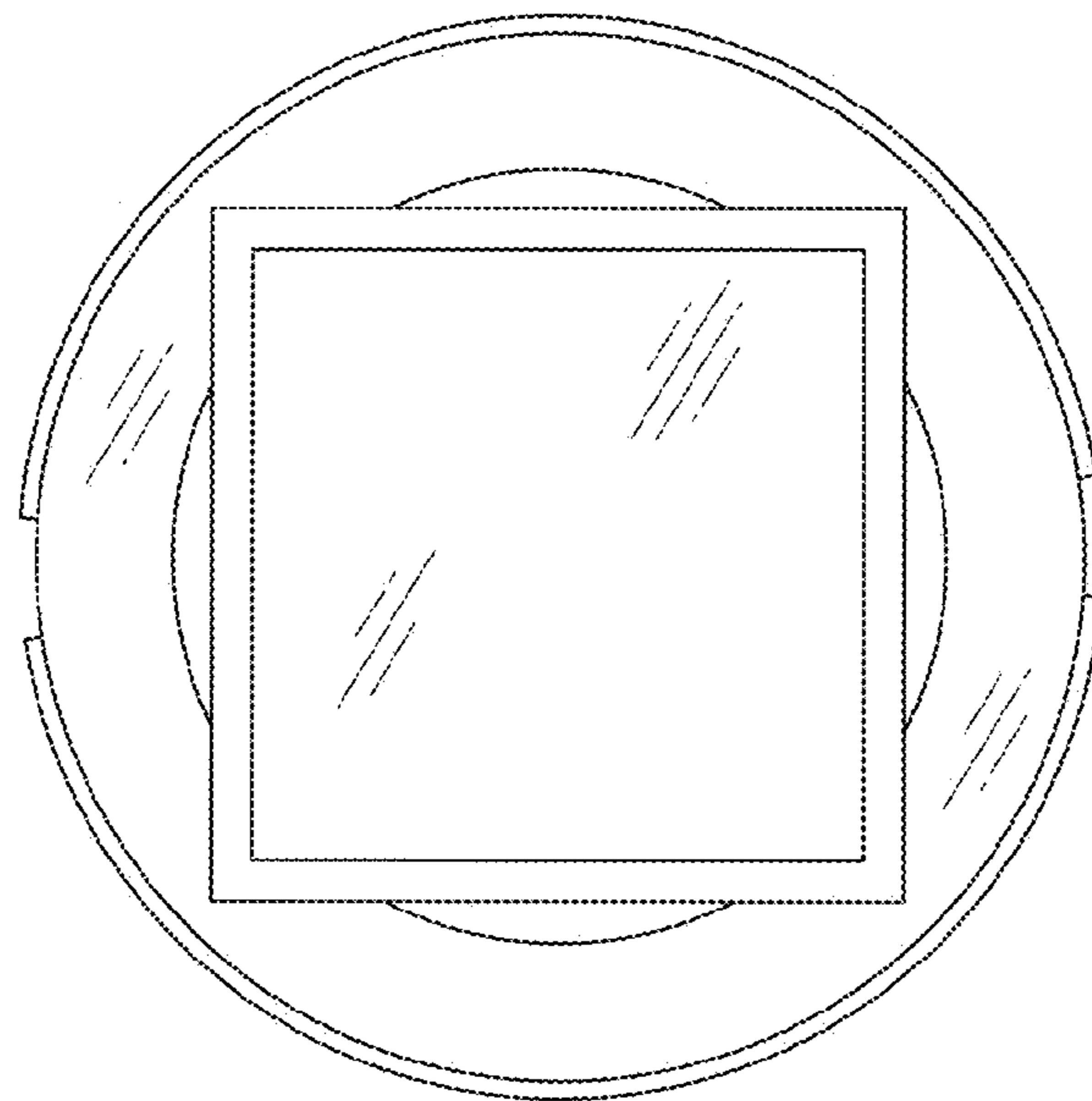


Fig. 8