



US00D683877S

(12) **United States Design Patent**
Brands et al.

(10) **Patent No.:** **US D683,877 S**

(45) **Date of Patent:** **** Jun. 4, 2013**

(54) **FLASHLIGHT**

(75) Inventors: **David C. Brands**, Portland, OR (US);
Gregory D. Windom, Portland, OR (US)

(73) Assignee: **Coast Cutlery Co.**, Portland, OR (US)

(**) **Term:** **14 Years**

(21) Appl. No.: **29/423,175**

(22) Filed: **May 29, 2012**

(51) **LOC (9) Cl.** **26-02**

(52) **U.S. Cl.**
USPC **D26/49**

(58) **Field of Classification Search**
USPC D26/37, 38, 46, 49, 48, 50; 362/157,
362/158, 183, 184, 194–196, 202–208
See application file for complete search history.

(56) **References Cited**

U.S. PATENT DOCUMENTS

D263,170	S	*	2/1982	Maglica	D26/49
D307,488	S	*	4/1990	Sharrah	D26/49
D368,147	S	*	3/1996	Bamber et al.	D26/49
5,586,819	A	*	12/1996	Bamber et al.	362/158
D395,719	S	*	6/1998	Concari	D26/37
D479,354	S	*	9/2003	Sharrah et al.	D26/49
D481,147	S	*	10/2003	Yang	D26/49
D481,816	S	*	11/2003	Sharrah et al.	D26/49
D488,877	S	*	4/2004	Shin	D26/49
D497,020	S	*	10/2004	Lee	D26/49
D521,166	S	*	5/2006	Yamamoto et al.	D26/37
D577,845	S	*	9/2008	Shiu	D26/49
D583,087	S	*	12/2008	Opolka	D26/49
D586,025	S	*	2/2009	Bonis	D26/49
D629,544	S	*	12/2010	Deguglimo et al.	D26/49
D629,545	S	*	12/2010	Deguglimo et al.	D26/49

D629,546	S	*	12/2010	Deguglimo et al.	D26/49
D629,940	S	*	12/2010	Osterhout	D26/49
D641,514	S	*	7/2011	Hesse et al.	D26/49
D641,901	S	*	7/2011	Opolka	D26/49
D659,868	S	*	5/2012	Deguglimo et al.	D26/49
D668,806	S	*	10/2012	Chapman et al.	D26/49
D675,358	S	*	1/2013	Brands et al.	D26/49

* cited by examiner

Primary Examiner — Ian Simmons

Assistant Examiner — Carissa C Fitts

(74) *Attorney, Agent, or Firm* — Schwabe, Williamson & Wyatt, P.C.

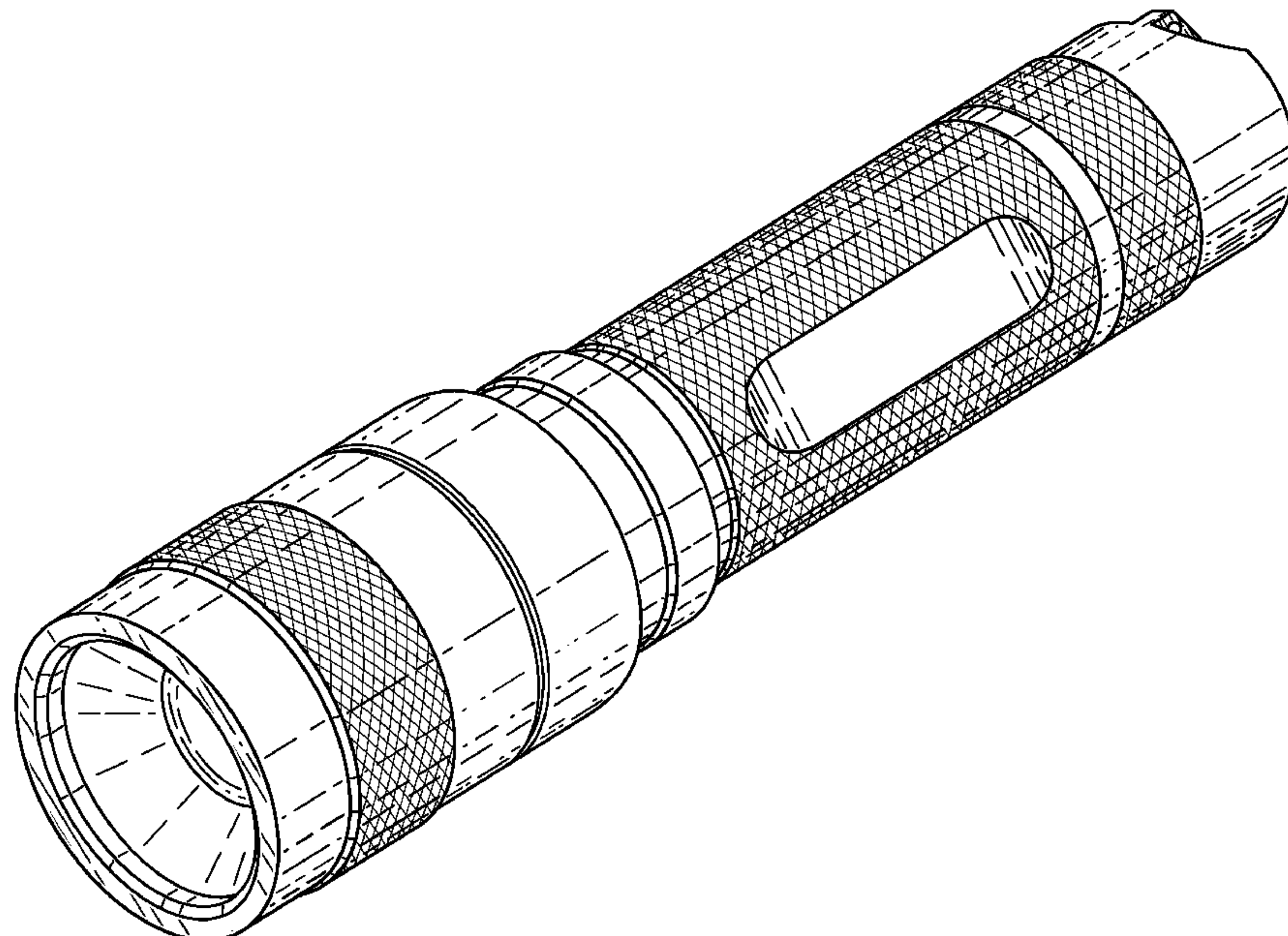
(57) **CLAIM**

I claim the ornamental design for a flashlight, as shown and described.

DESCRIPTION

FIG. 1 is a perspective view of the flashlight;
 FIG. 2 is a different perspective view of the flashlight illustrated in FIG. 1;
 FIG. 3 is a top view of the flashlight illustrated in FIG. 1;
 FIG. 4 is a bottom view of the flashlight illustrated in FIG. 1;
 FIG. 5 is a left side view of the flashlight illustrated in FIG. 1, the right side view being a mirror image of the left side view;
 FIG. 6 is an enlarged front view of the flashlight illustrated in FIG. 1;
 FIG. 7 is an enlarged rear view of the flashlight illustrated in FIG. 1;
 FIG. 8 is a left side view of the flashlight illustrated in FIG. 1, with a portion of the flashlight retracted; and,
 FIG. 9 is a left side view of the flashlight illustrated in FIG. 1, with a portion of the flashlight extended.

1 Claim, 8 Drawing Sheets



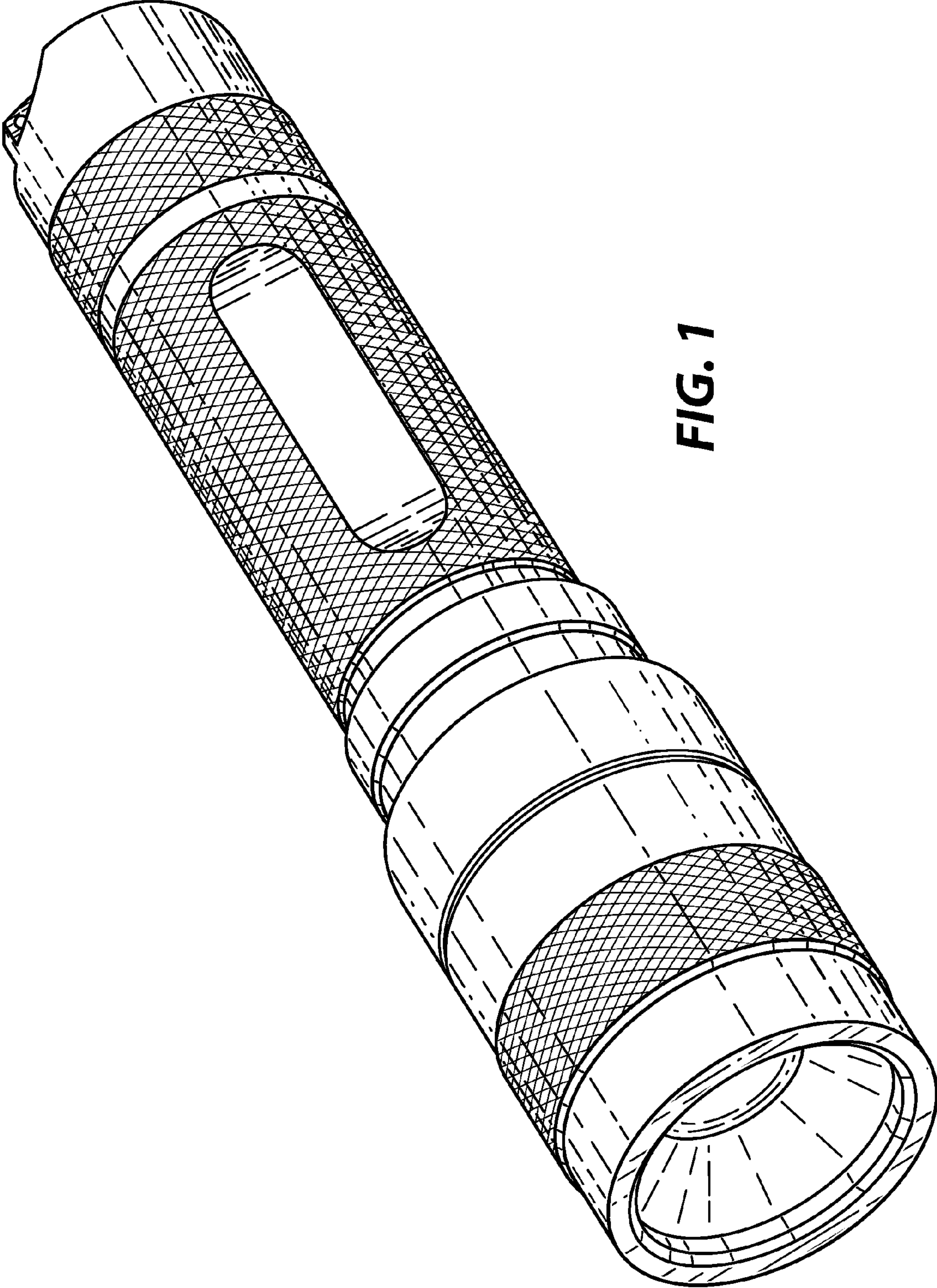


FIG. 1

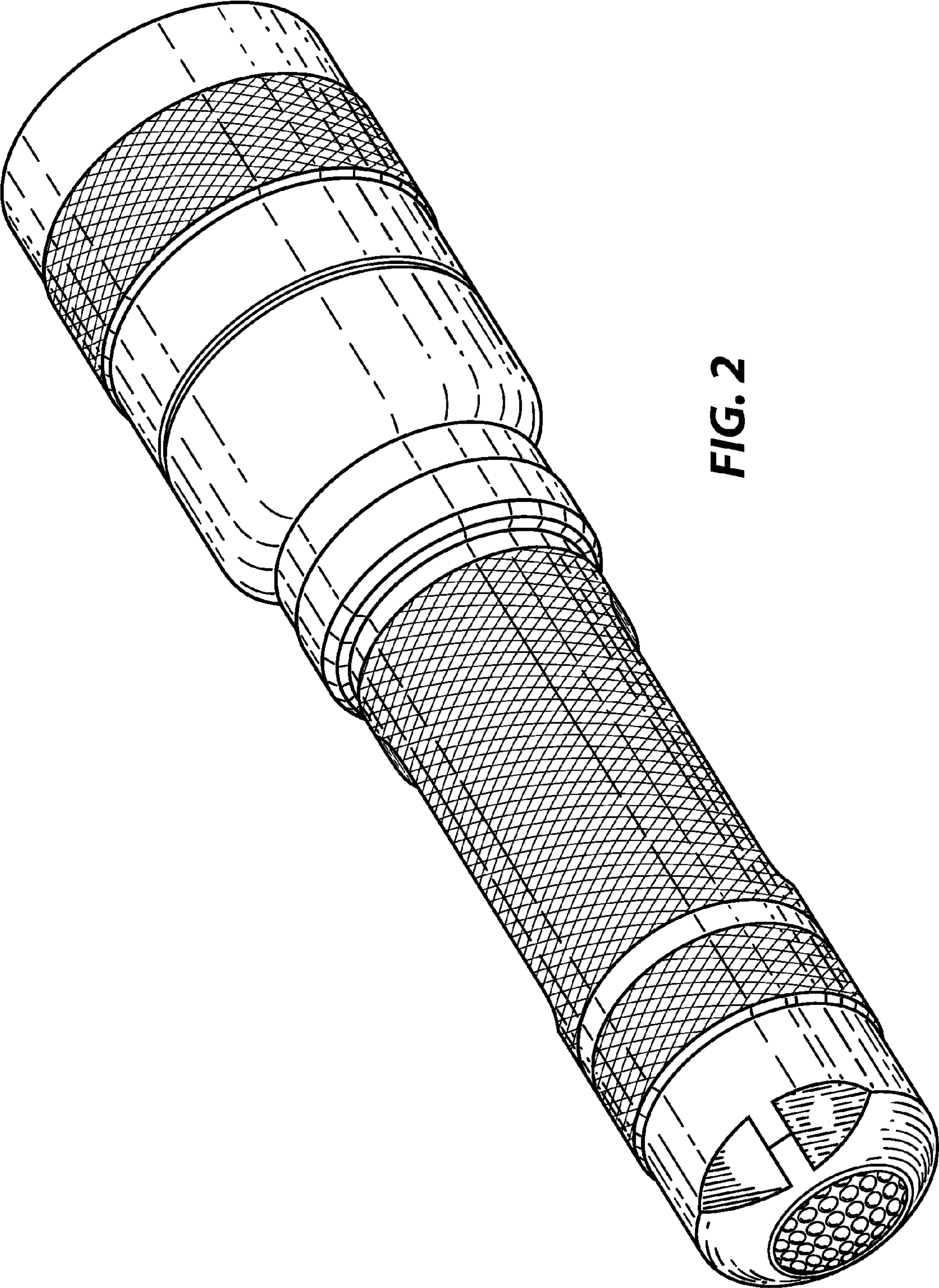


FIG. 2

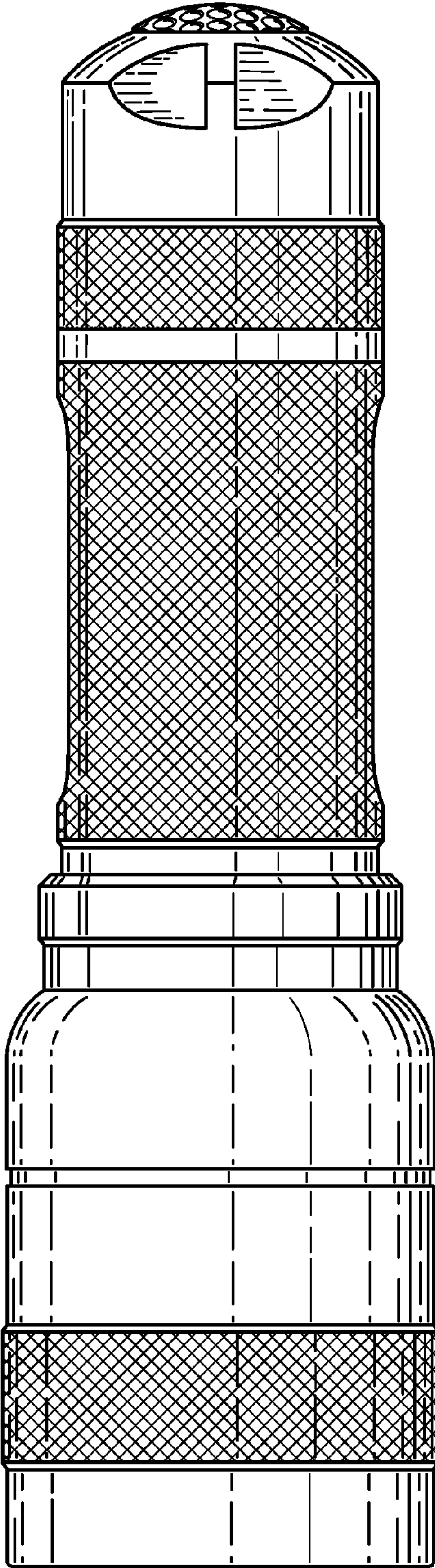


FIG. 3

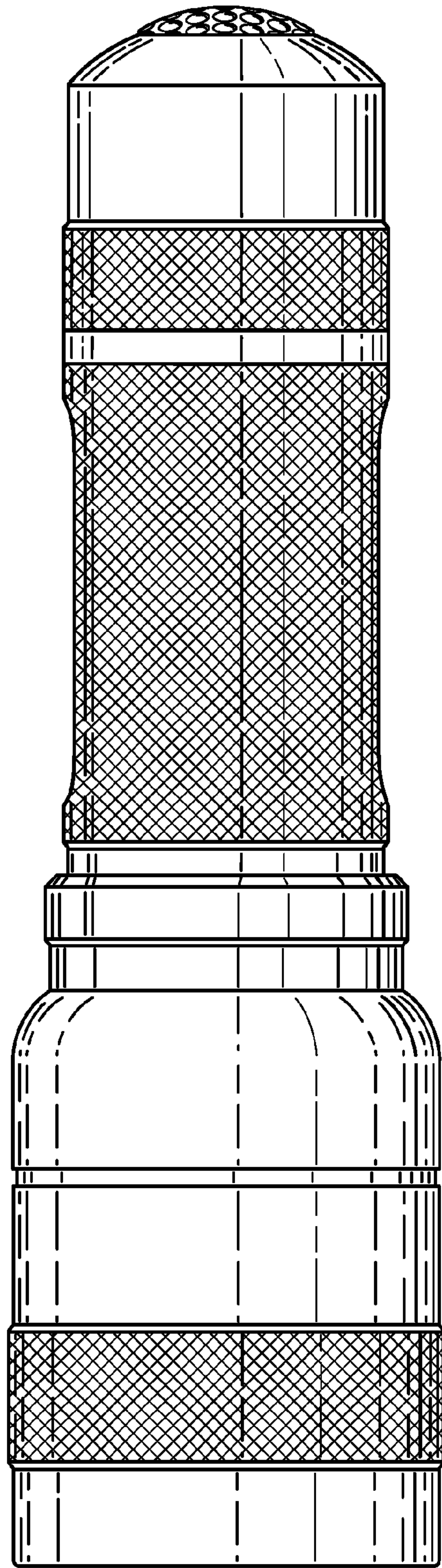


FIG. 4

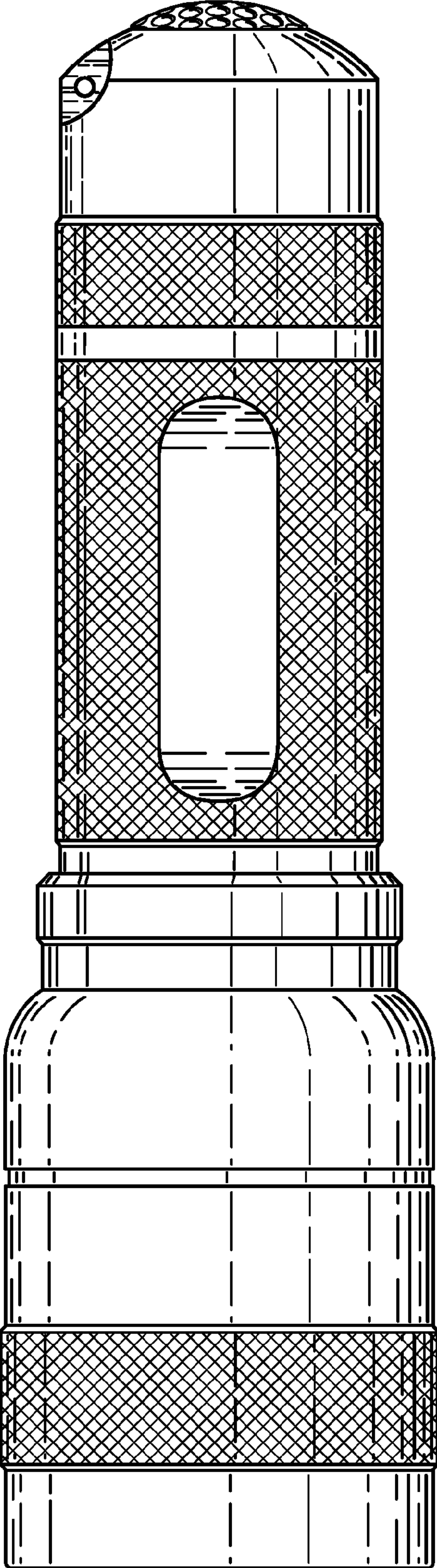


FIG. 5

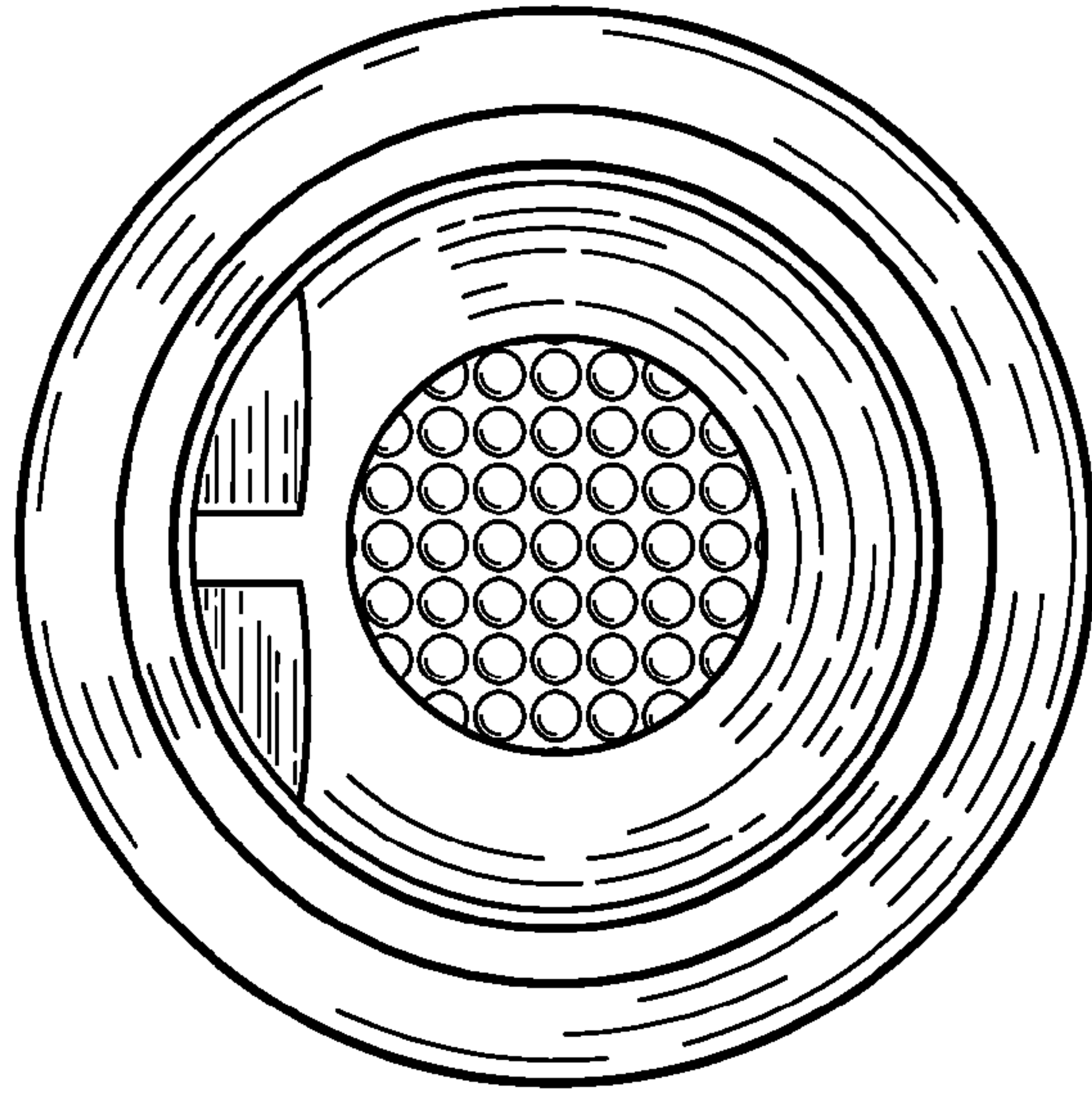


FIG. 7

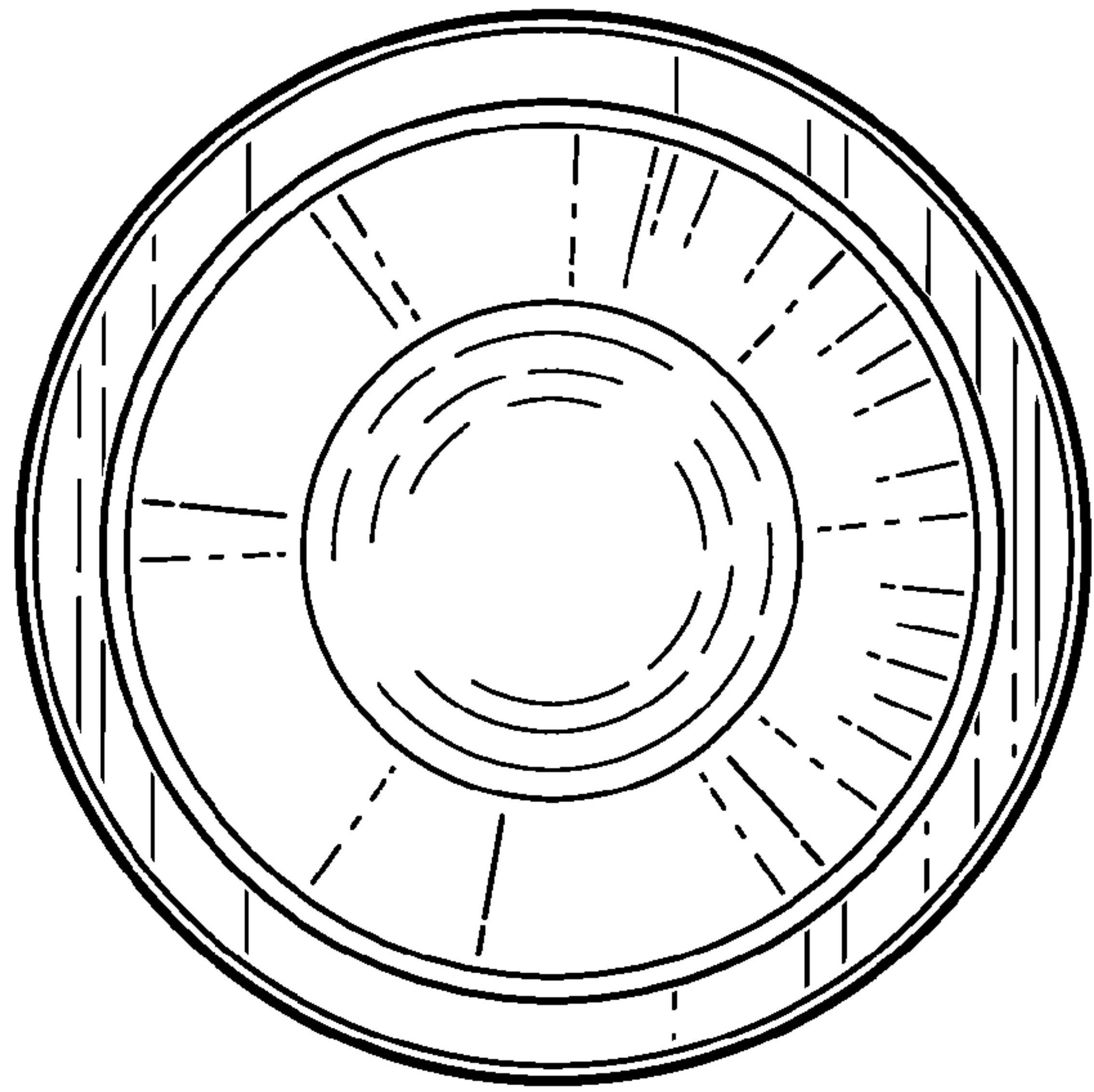


FIG. 6

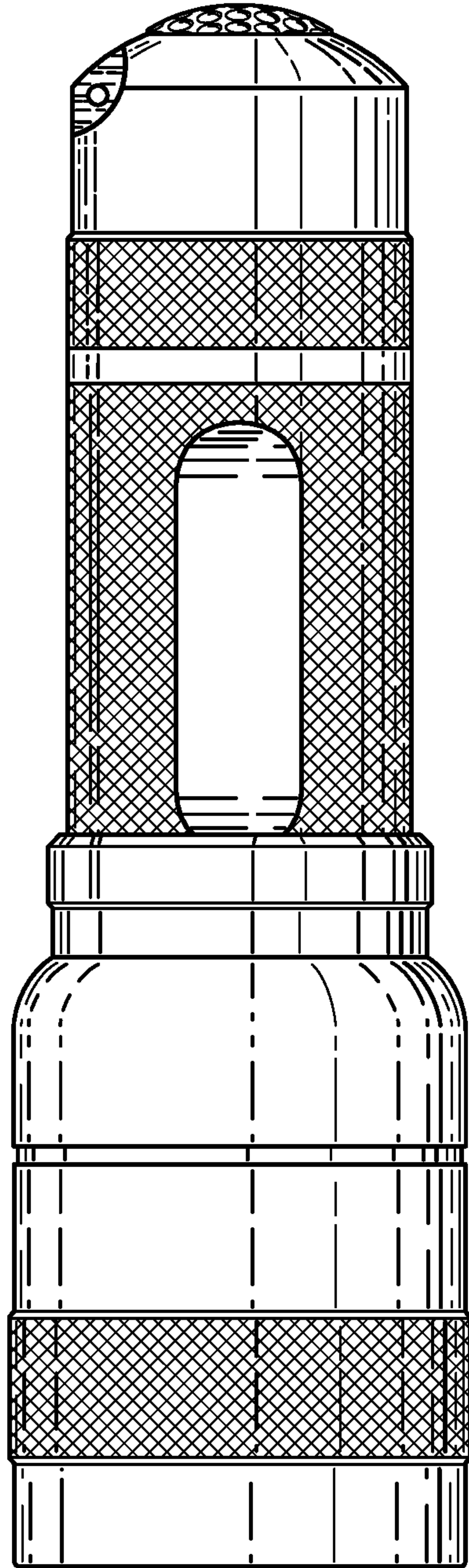


FIG. 8

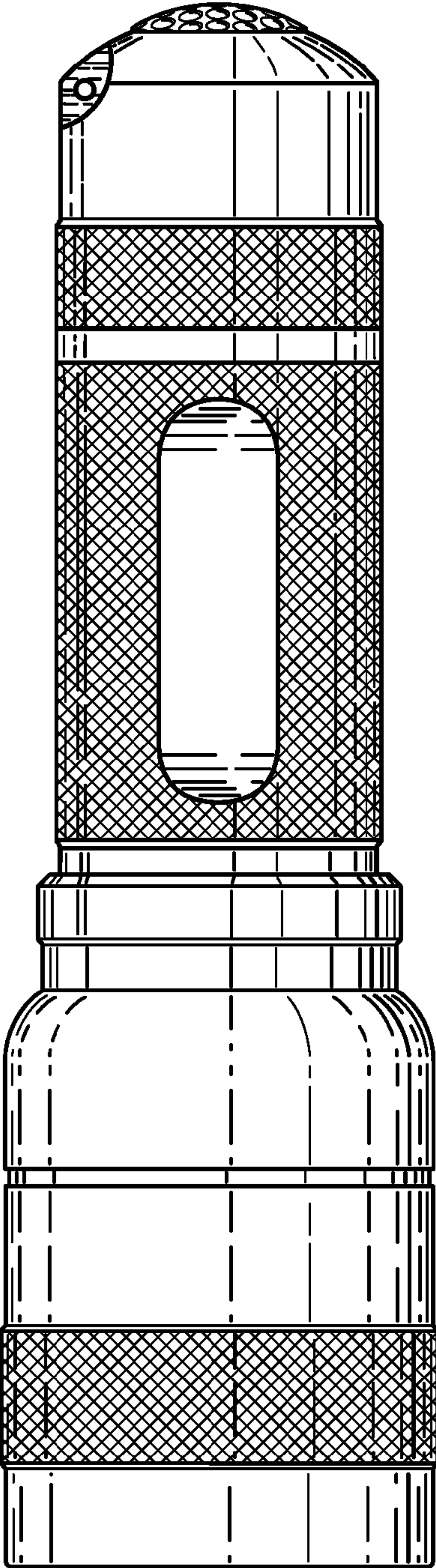


FIG. 9