



US00D683876S

(12) **United States Design Patent**  
**Platto et al.**

(10) **Patent No.:** **US D683,876 S**  
(45) **Date of Patent:** **\*\* Jun. 4, 2013**

(54) **VEHICLE TAILLIGHT**

(75) Inventors: **Gordon M. Platto**, Troy, MI (US); **Earl Clyde Lucas**, Brentwood (GB); **Rick Howard**, Brighton, MI (US); **Dong Park**, Royal Oak, MI (US)

(73) Assignee: **Ford Motor Company**, Dearborn, MI (US)

(\*\*) Term: **14 Years**

(21) Appl. No.: **29/411,628**

(22) Filed: **Jan. 24, 2012**

(51) **LOC (9) Cl.** ..... **26-06**

(52) **U.S. Cl.**  
USPC ..... **D26/28**

(58) **Field of Classification Search**  
USPC ..... D26/28-36; 362/459-468, 475-478,  
362/485-487

See application file for complete search history.

(56) **References Cited**

U.S. PATENT DOCUMENTS

D546,986 S	7/2007	Platto	
D550,380 S *	9/2007	Lin	D26/28
D552,769 S *	10/2007	Leclercq	D26/28
D565,211 S *	3/2008	Haller et al.	D26/28
D602,616 S *	10/2009	Okamura et al.	D26/28
D605,793 S *	12/2009	Weil	D26/28

\* cited by examiner

*Primary Examiner* — Marcus Jackson

(74) *Attorney, Agent, or Firm* — Damian Porcari

(57) **CLAIM**

The ornamental design for a vehicle taillight, as shown and described.

**DESCRIPTION**

FIG. 1 is a left side elevational view of a left vehicle taillight (the right vehicle taillight being a mirror image and is not shown);

FIG. 2 is a right side elevational view of the vehicle taillight;

FIG. 3 is a front elevational view of the vehicle taillight;

FIG. 4 is a top plan view of the vehicle taillight;

FIG. 5 is a bottom plan view of the vehicle taillight;

FIG. 6 is a perspective view of the vehicle taillight; and,

FIG. 7 is another perspective view of the vehicle taillight.

**1 Claim, 7 Drawing Sheets**

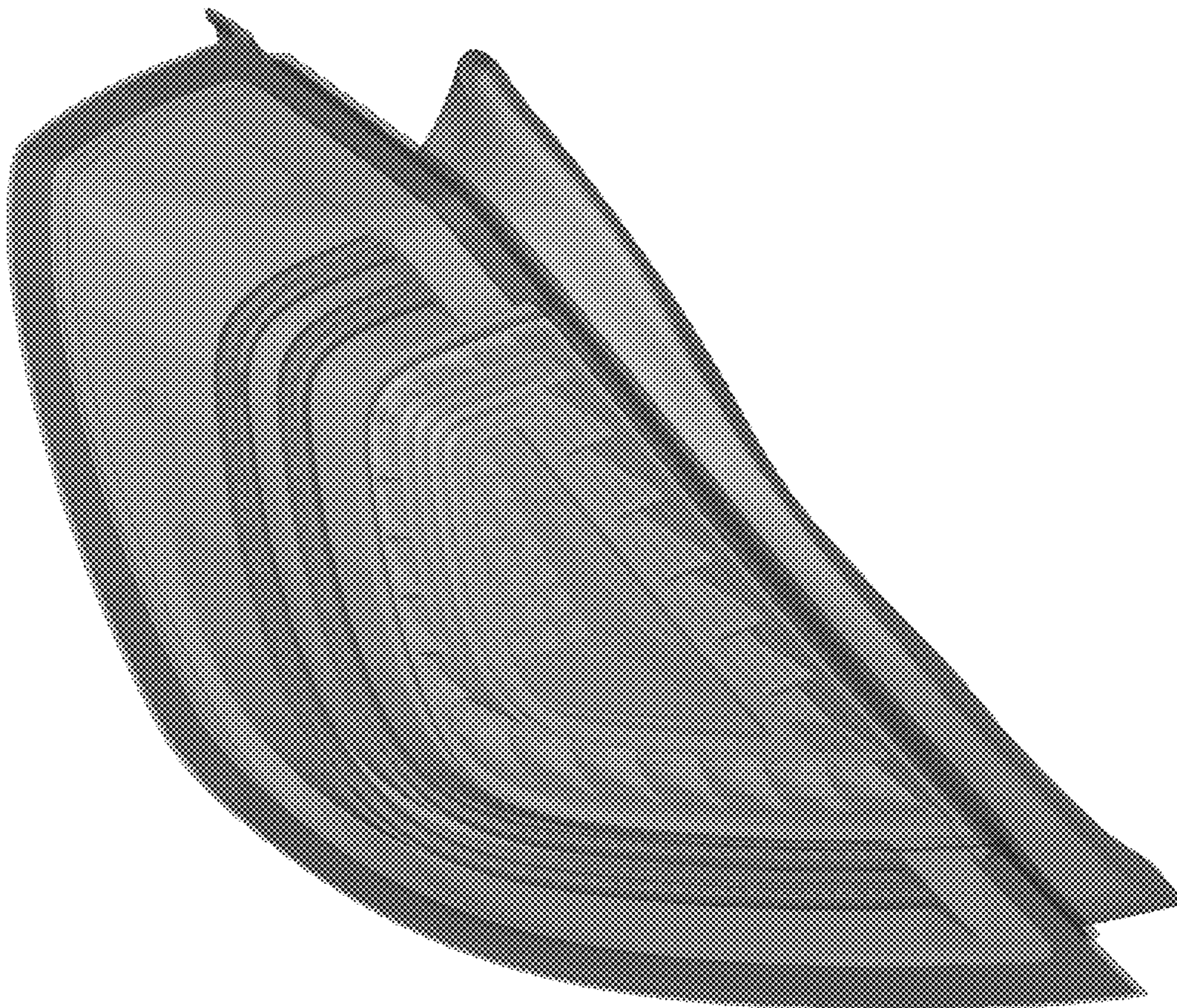
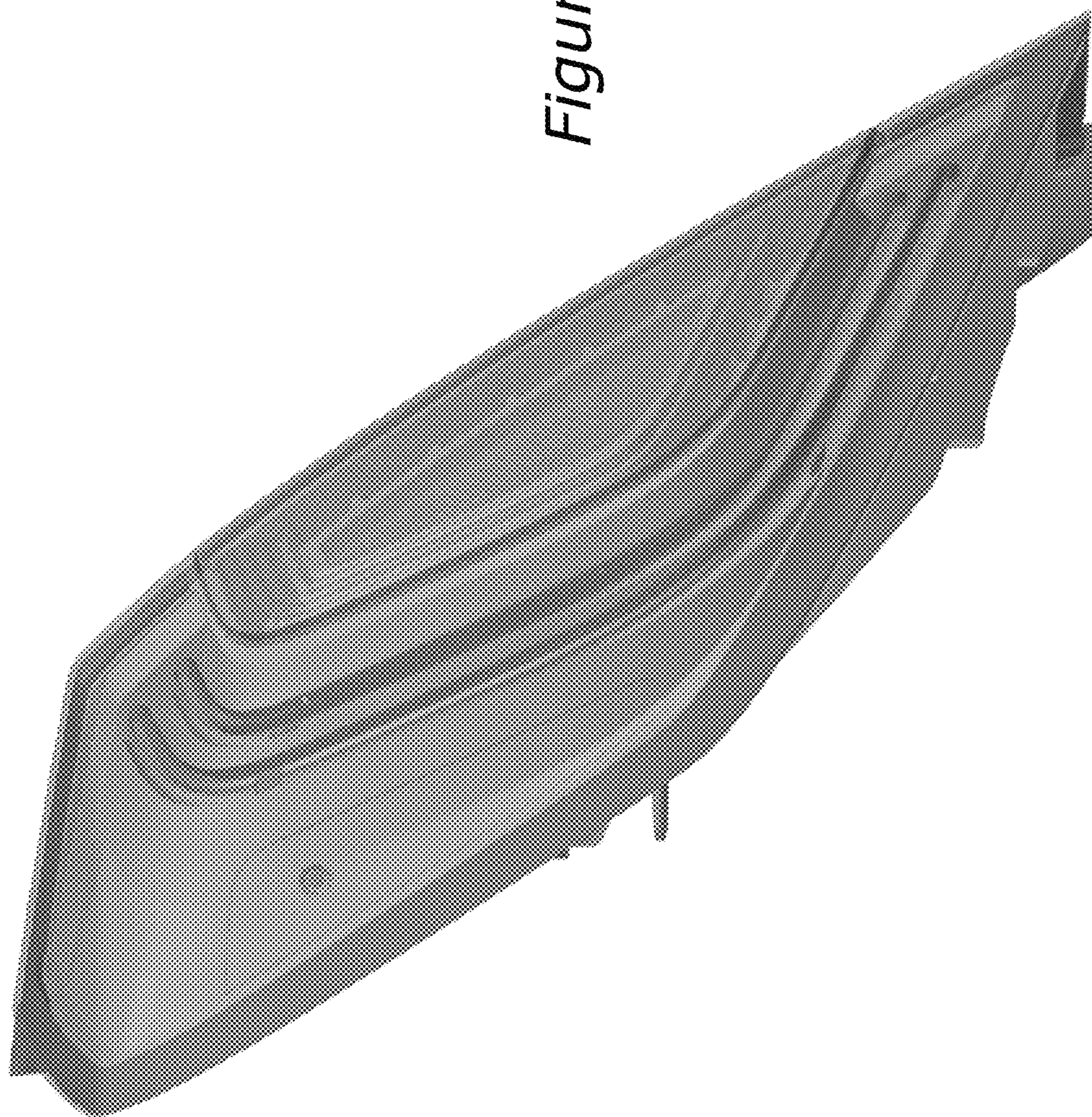


Figure 1



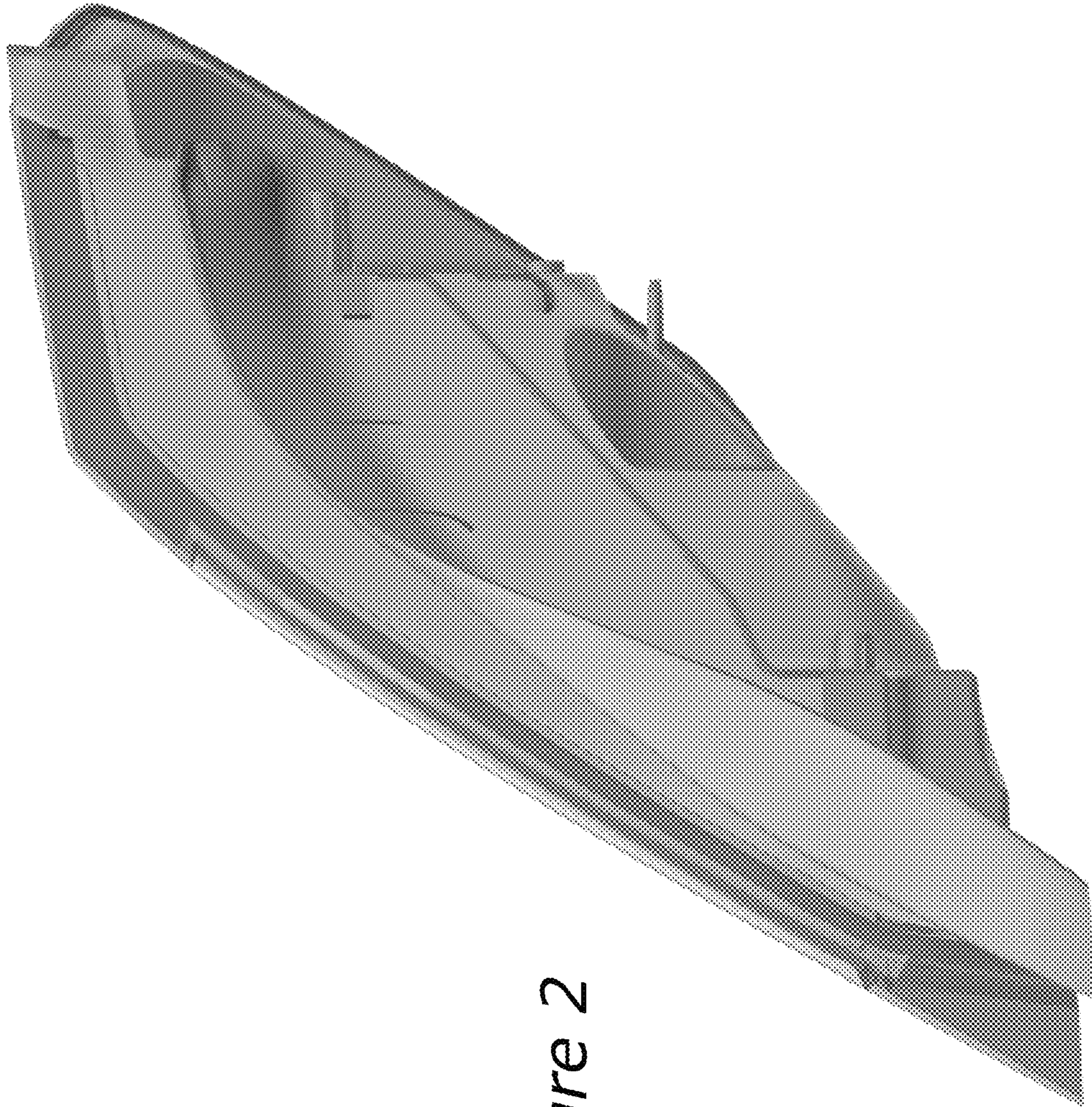


Figure 2

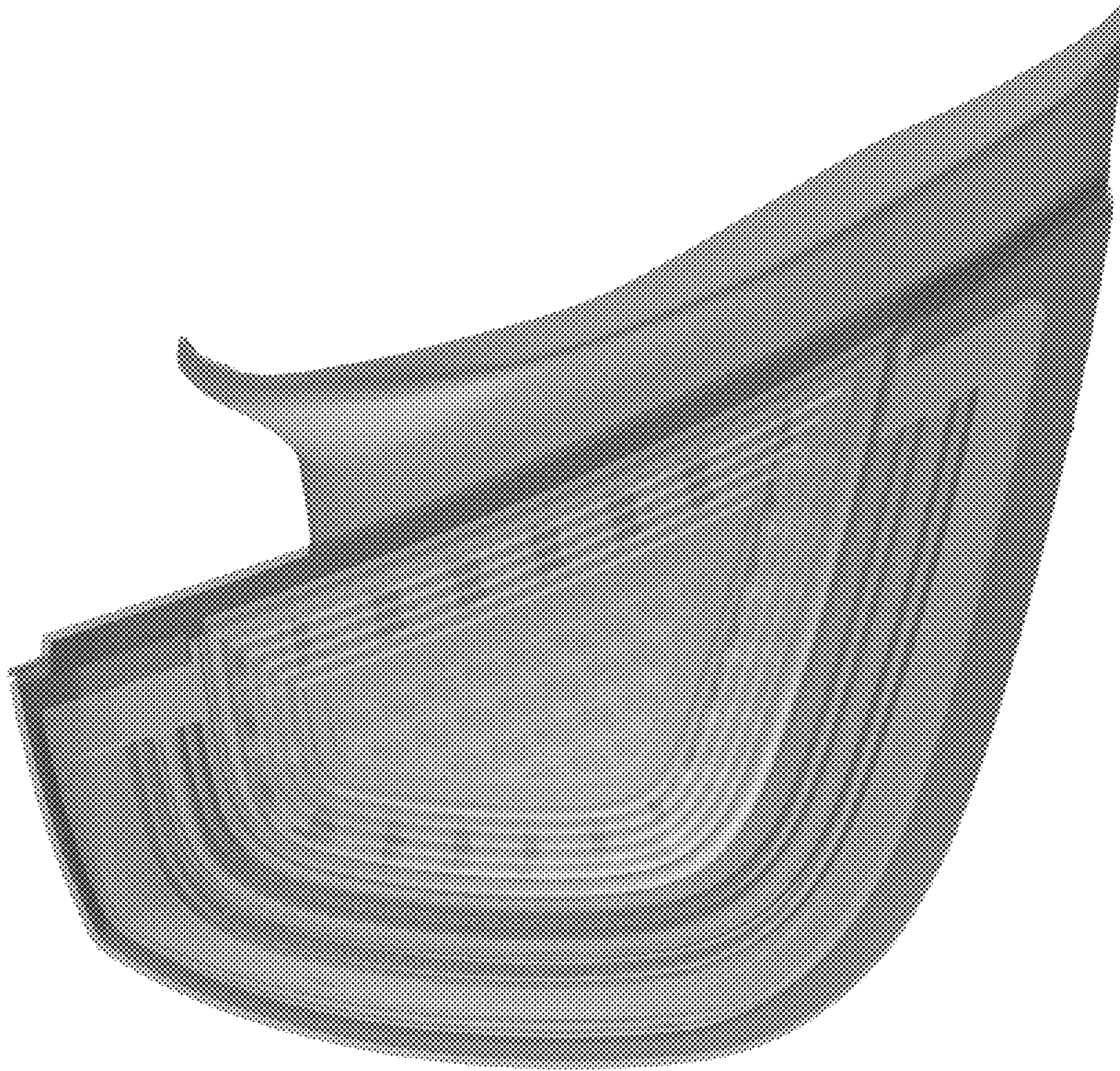


Figure 3

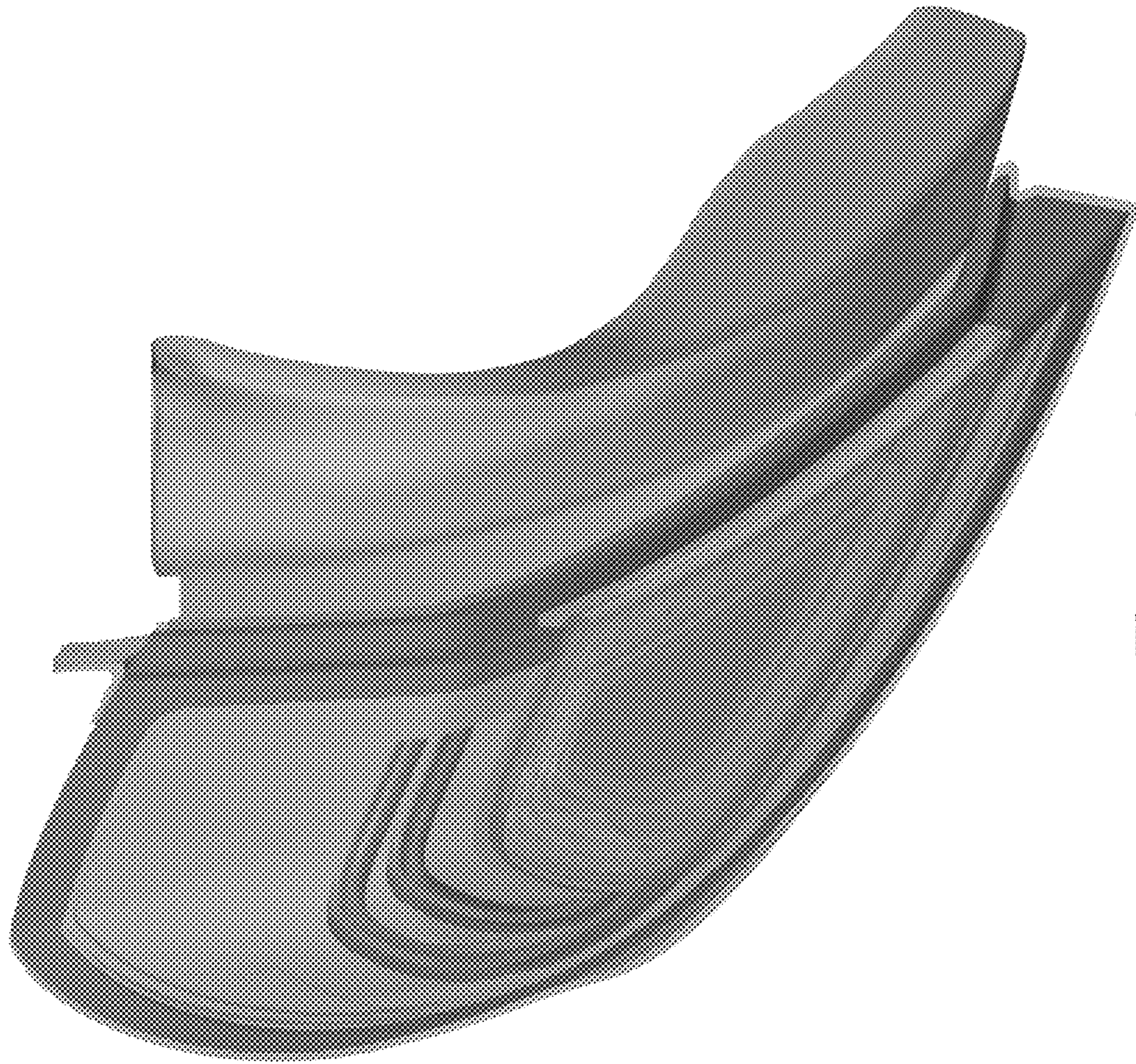
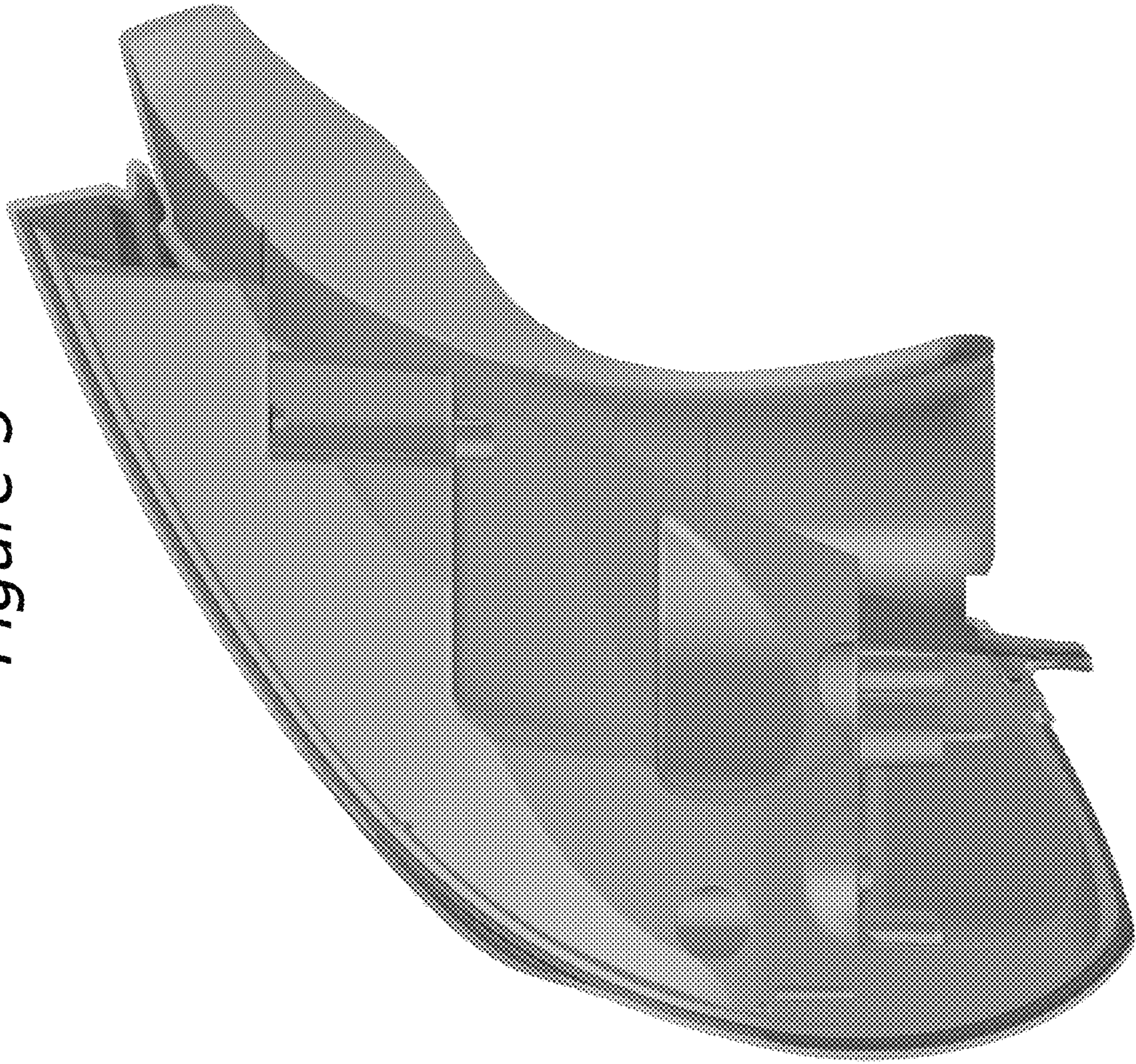


Figure 4

Figure 5



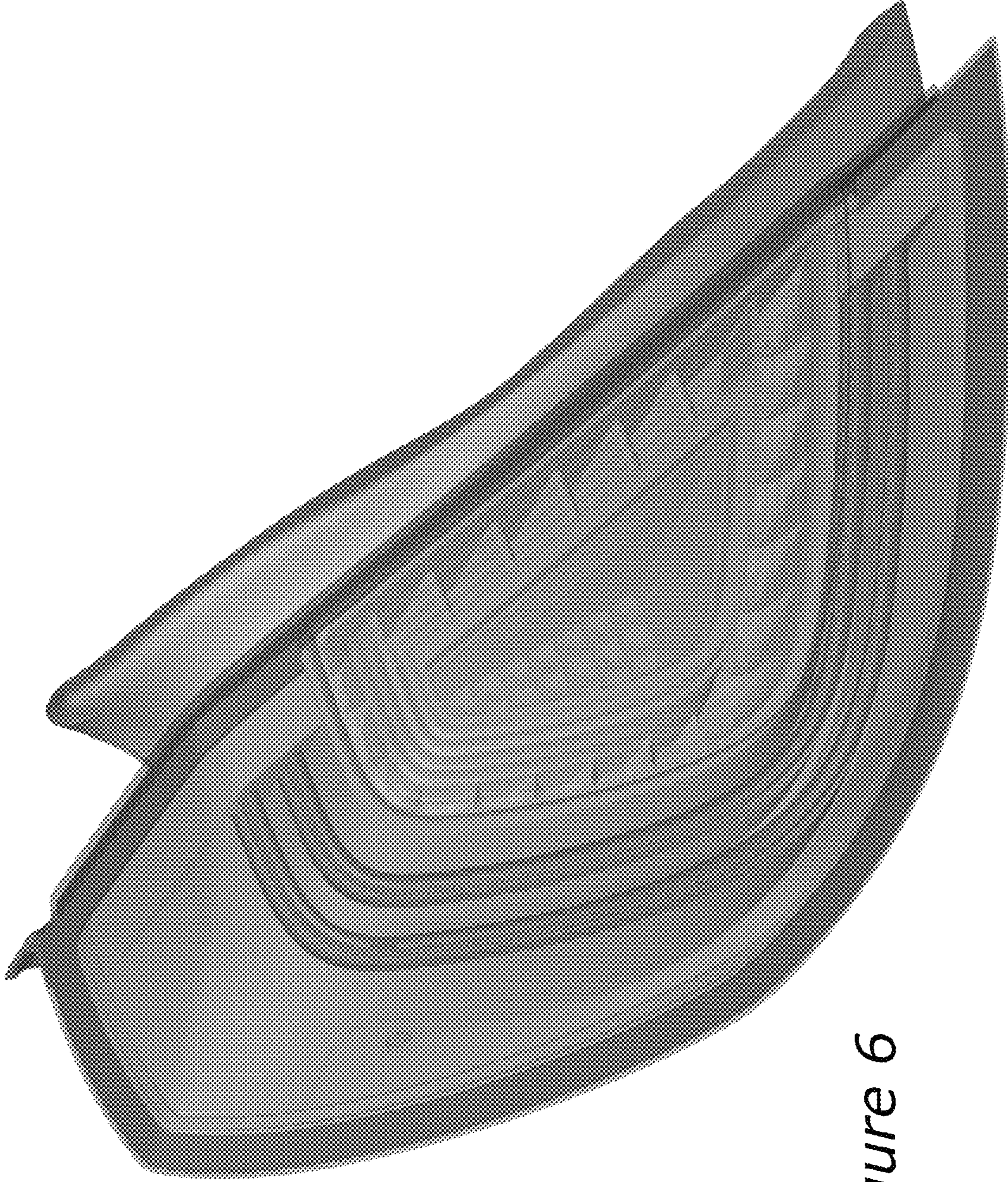


Figure 6

Figure 7

