



US00D683875S

(12) **United States Design Patent**
Platto et al.

(10) **Patent No.:** **US D683,875 S**
(45) **Date of Patent:** **** Jun. 4, 2013**

(54) **VEHICLE HEADLIGHT**

(75) Inventors: **Gordon M. Platto**, Troy, MI (US);
Bradley Alan Richards, Bloomfield
Hills, MI (US); **Shawn Sung Yu**,
Shanghai (CN); **Timothy Doyle**, Royal
Oak, MI (US)

(73) Assignee: **Ford Motor Company**, Dearborn, MI
(US)

(**) Term: **14 Years**

(21) Appl. No.: **29/411,524**

(22) Filed: **Jan. 23, 2012**

(51) **LOC (9) Cl.** **26-06**

(52) **U.S. Cl.**
USPC **D26/28**

(58) **Field of Classification Search**
USPC D26/28-36; 362/459-468, 475-478,
362/485-487

See application file for complete search history.

(56) **References Cited**

U.S. PATENT DOCUMENTS

D538,956 S *	3/2007	Ishii	D26/28
D542,442 S *	5/2007	Matsunami	D26/28
D544,614 S *	6/2007	Markefka	D26/28
D549,855 S *	8/2007	Moisy et al.	D26/28
D561,358 S *	2/2008	Tachibana	D26/28
D563,575 S *	3/2008	Gresens	
D619,278 S *	7/2010	Choi et al.	D26/28

* cited by examiner

Primary Examiner — Marcus Jackson

(74) *Attorney, Agent, or Firm* — Damian Porcari

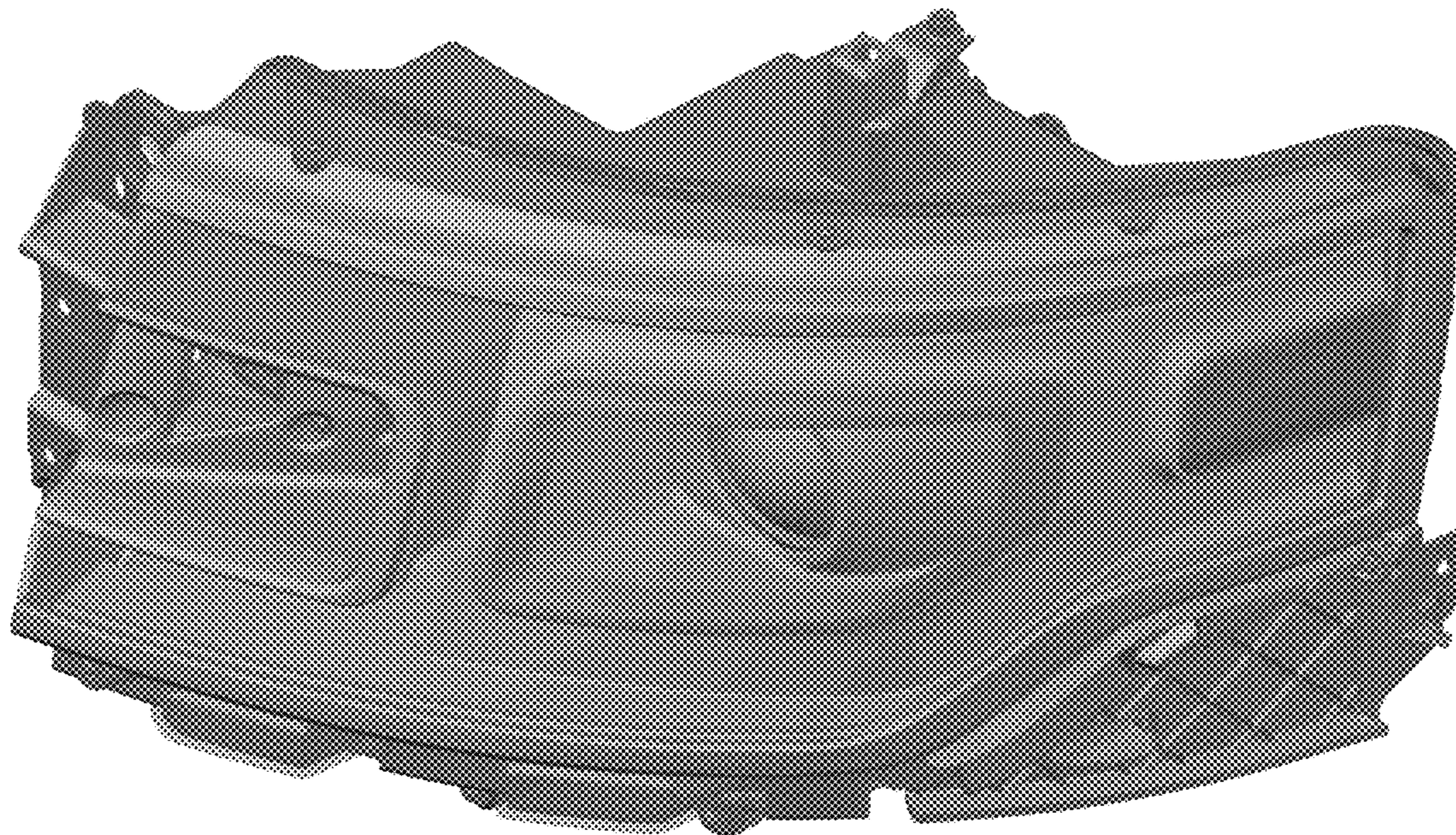
(57) **CLAIM**

The ornamental design for a vehicle headlight, as shown and described.

DESCRIPTION

FIG. 1 is a left side elevational view of a left vehicle headlight (the right vehicle headlight being a mirror image and is not shown);
FIG. 2 is a right side elevational view of the vehicle headlight;
FIG. 3 is a front elevational view of the vehicle headlight;
FIG. 4 is a top plan view of the vehicle headlight;
FIG. 5 is a bottom plan view of the vehicle headlight;
FIG. 6 is a perspective view of the vehicle headlight; and,
FIG. 7 is another perspective view of the vehicle headlight.

1 Claim, 7 Drawing Sheets



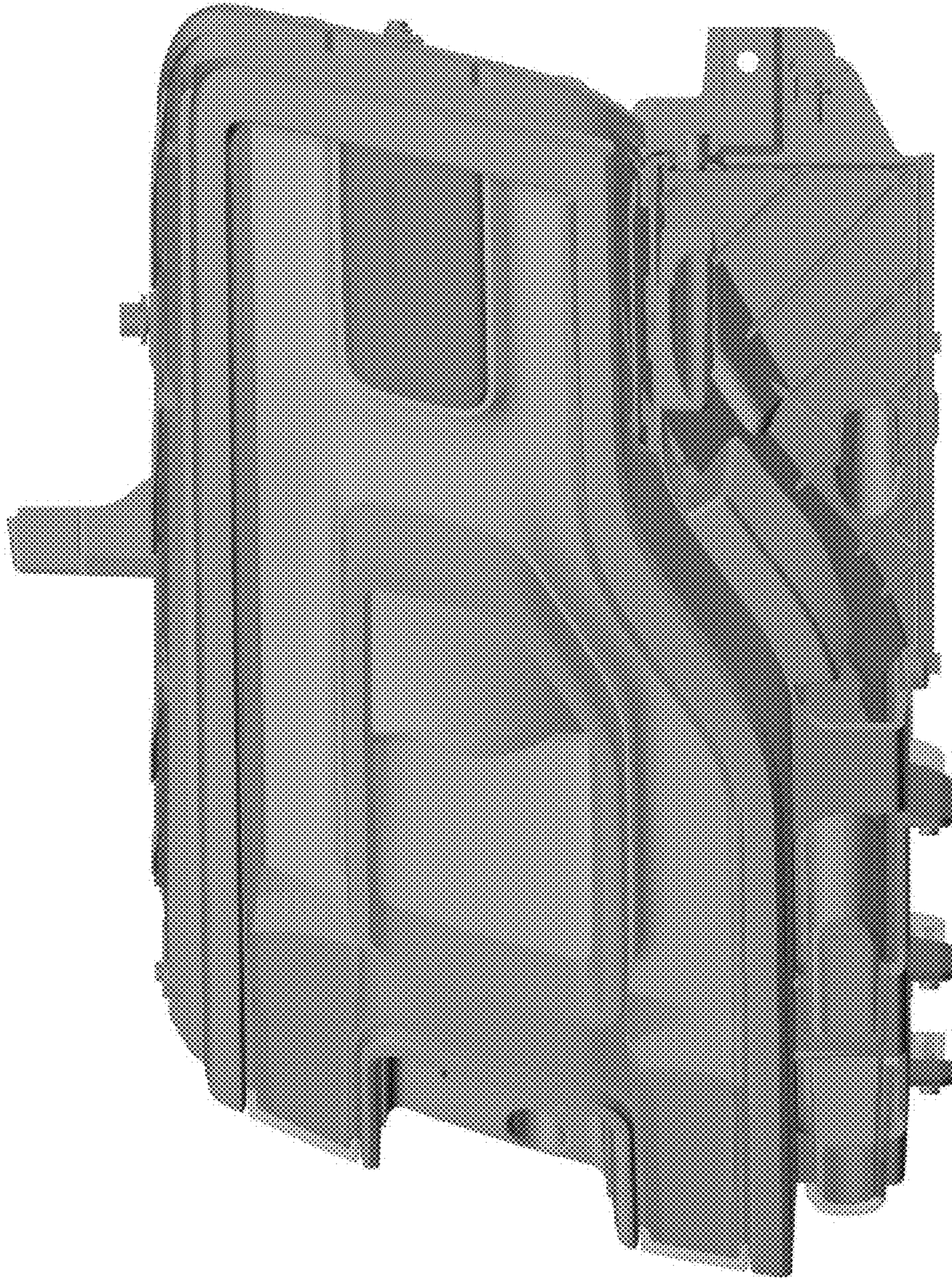


Figure 1

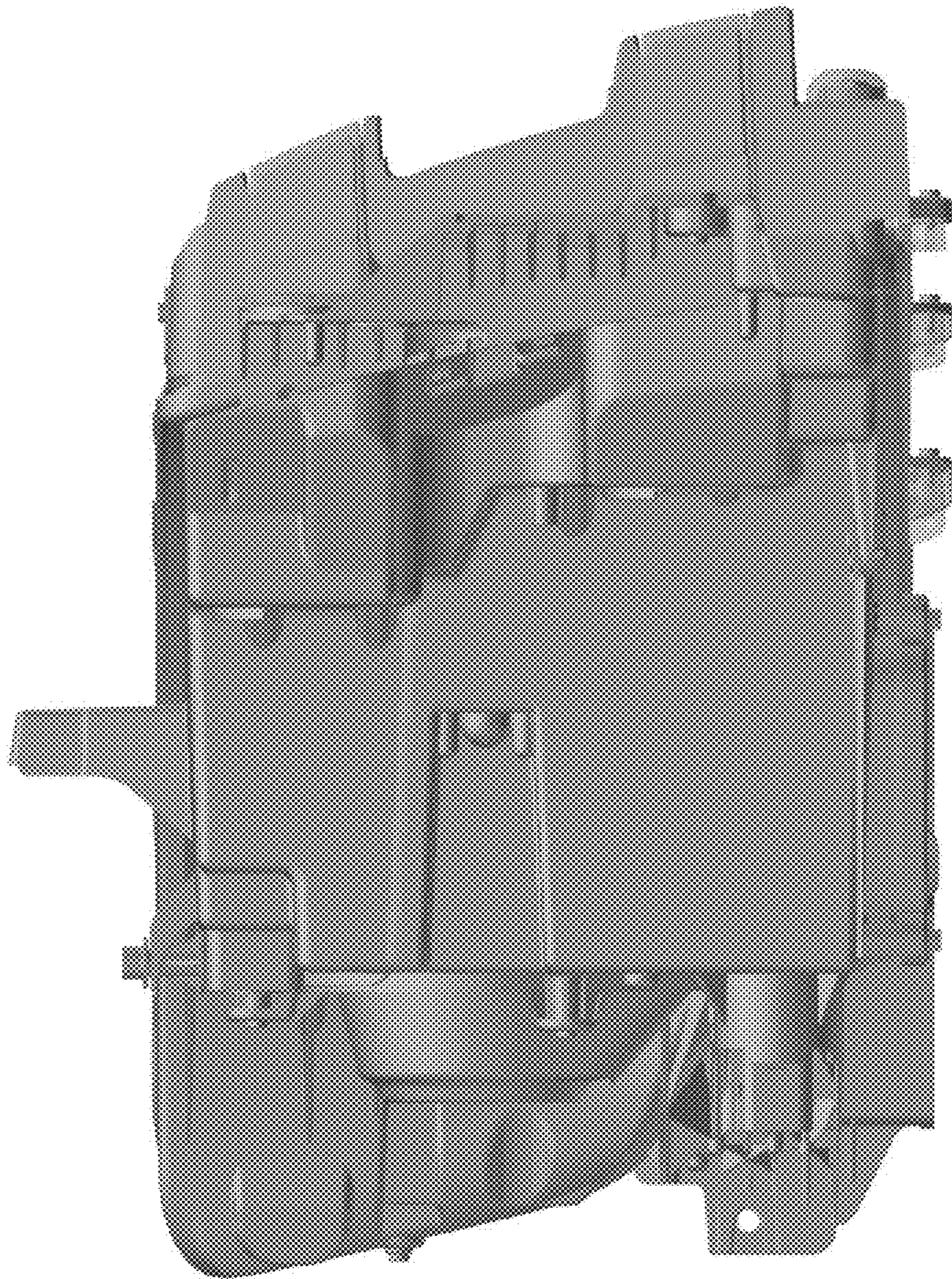


Figure 2



Figure 3

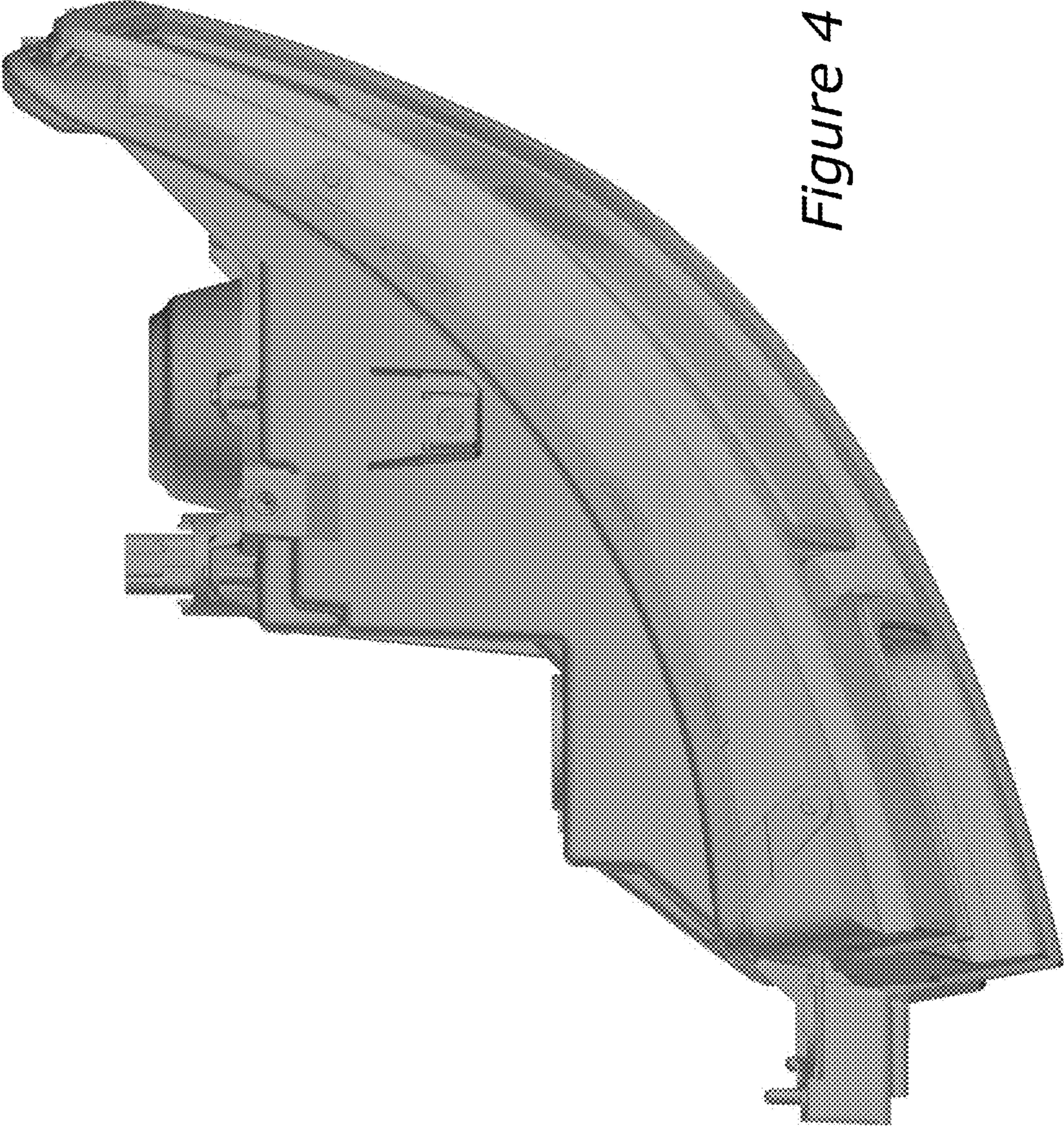
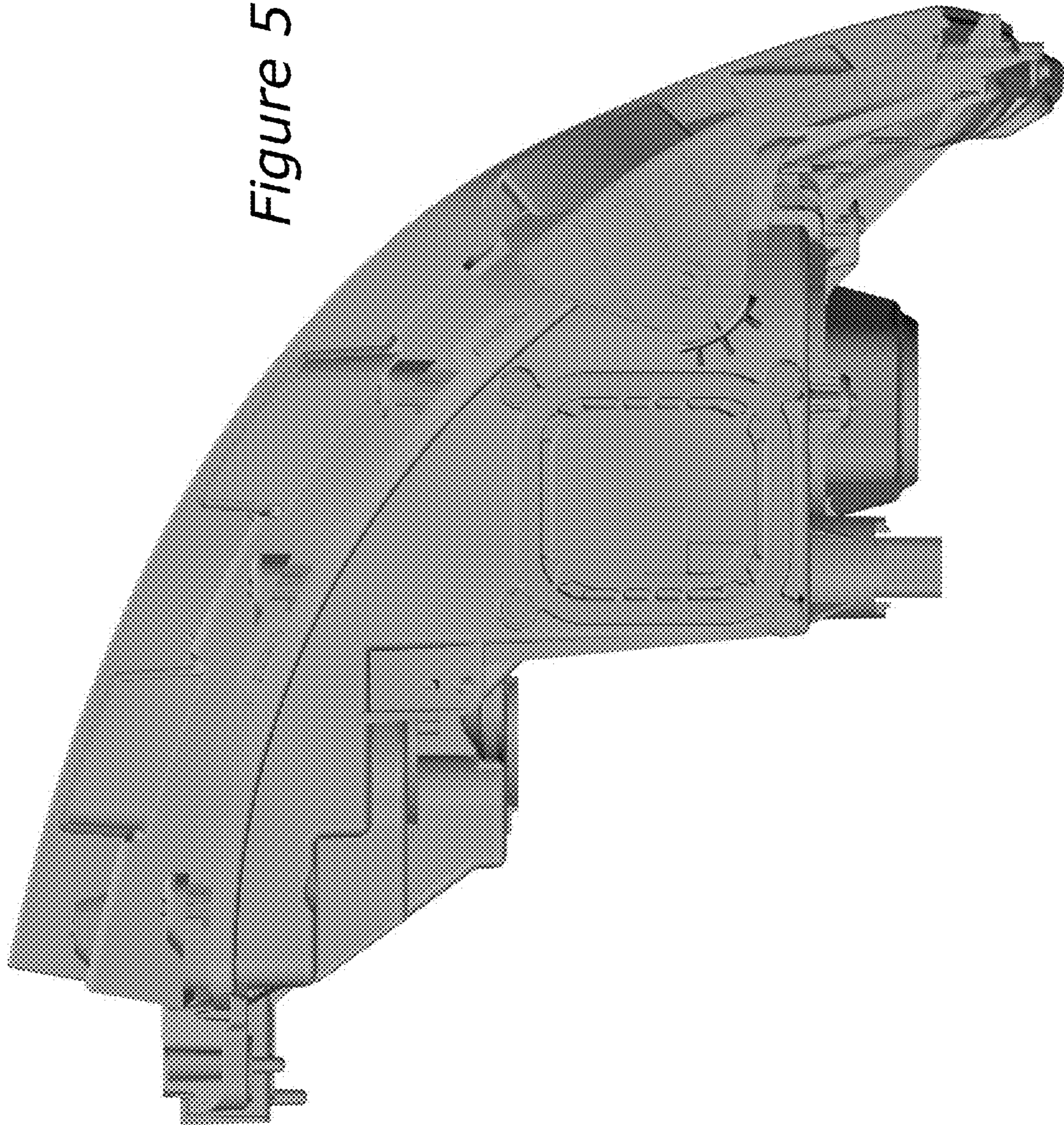


Figure 4

Figure 5



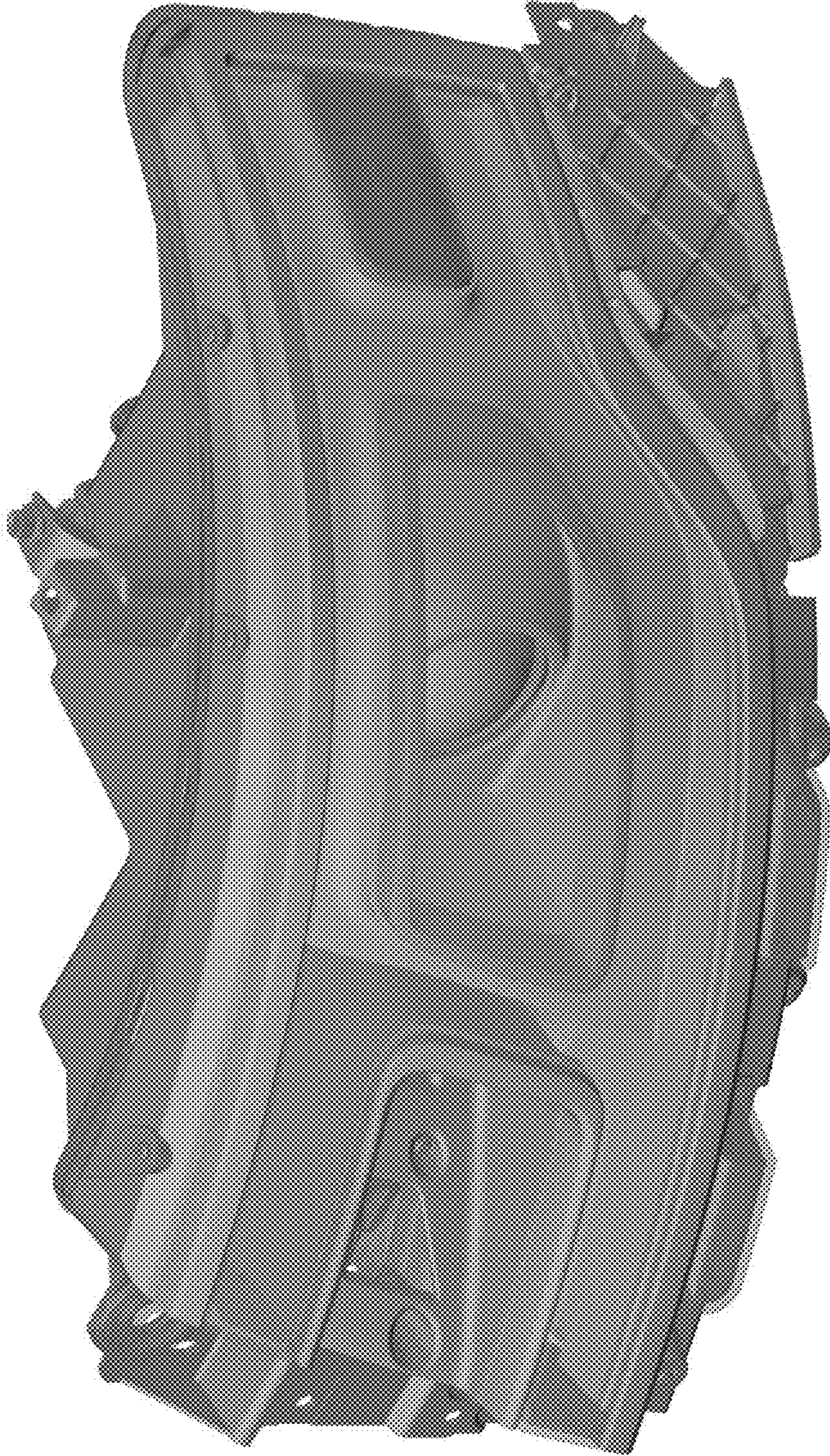


Figure 6

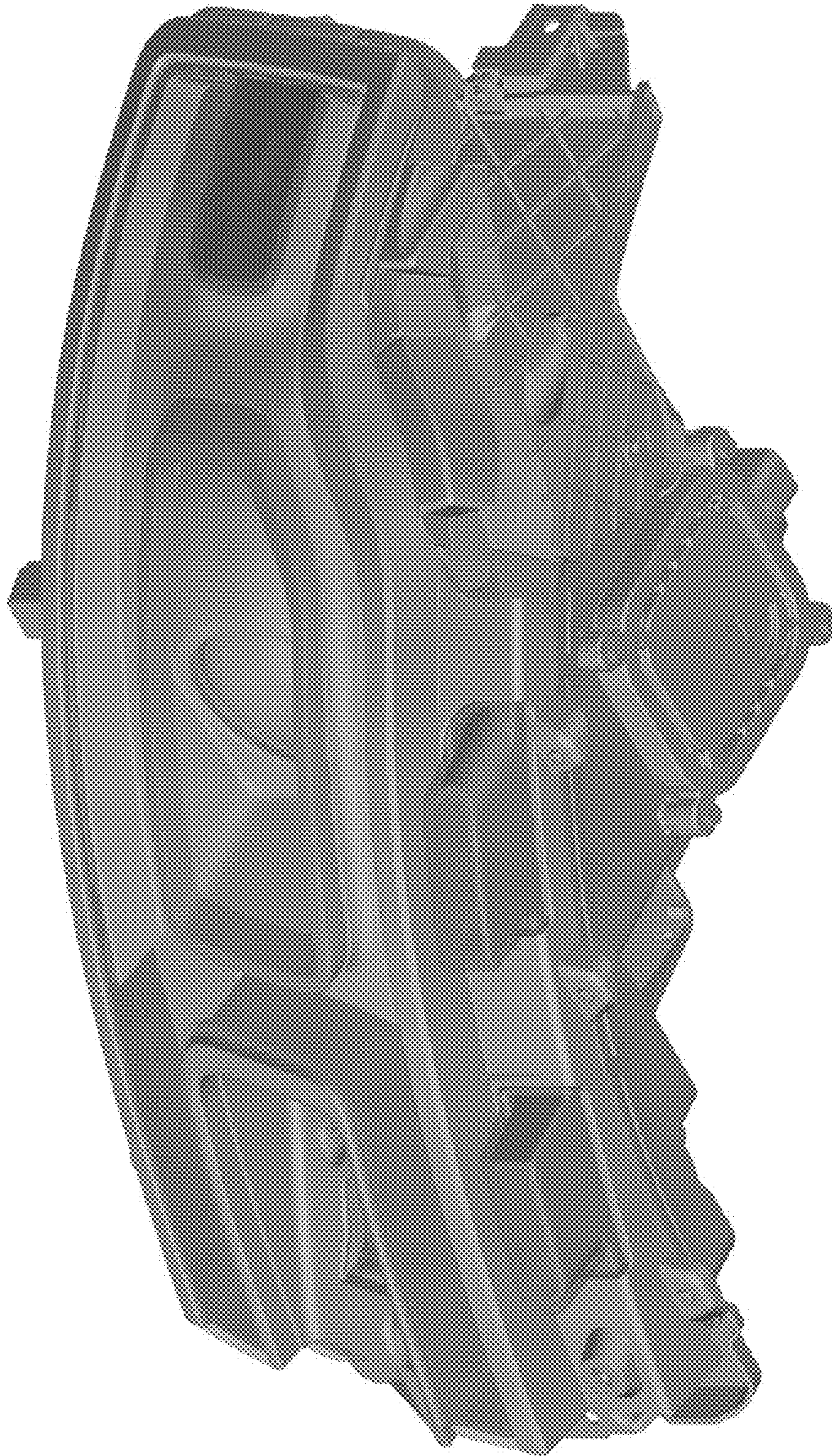


Figure 7