



US00D683872S

(12) **United States Design Patent**
Munson et al.

(10) **Patent No.:** **US D683,872 S**
(45) **Date of Patent:** **** Jun. 4, 2013**

(54) **VEHICLE HEAD LAMP**
(75) Inventors: **Robert J. Munson**, Rochester Hills, MI (US); **U Yong Choi**, Bloomfield Township, MI (US)

D517,228 S * 3/2006 Pfeiffer et al. D26/28
D526,429 S * 8/2006 Hovind et al. D26/28
D526,435 S * 8/2006 Lau et al. D26/139
D536,113 S * 1/2007 Pfeiffer D26/28

* cited by examiner

(73) Assignee: **GM Global Technology Operations LLC**, Detroit, MI (US)

Primary Examiner — Marcus Jackson
(74) *Attorney, Agent, or Firm* — Parks IP Law LLC; Mickki D. Murray

(**) **Term:** **14 Years**

(21) **Appl. No.:** **29/409,771**

(57) **CLAIM**
The ornamental design for a vehicle head lamp, as shown and described.

(22) **Filed:** **Dec. 29, 2011**

(51) **LOC (9) Cl.** **26-06**

(52) **U.S. Cl.**
USPC **D26/28**

(58) **Field of Classification Search**
USPC D26/28-36; 362/459-468, 475-478, 362/485-487
See application file for complete search history.

DESCRIPTION

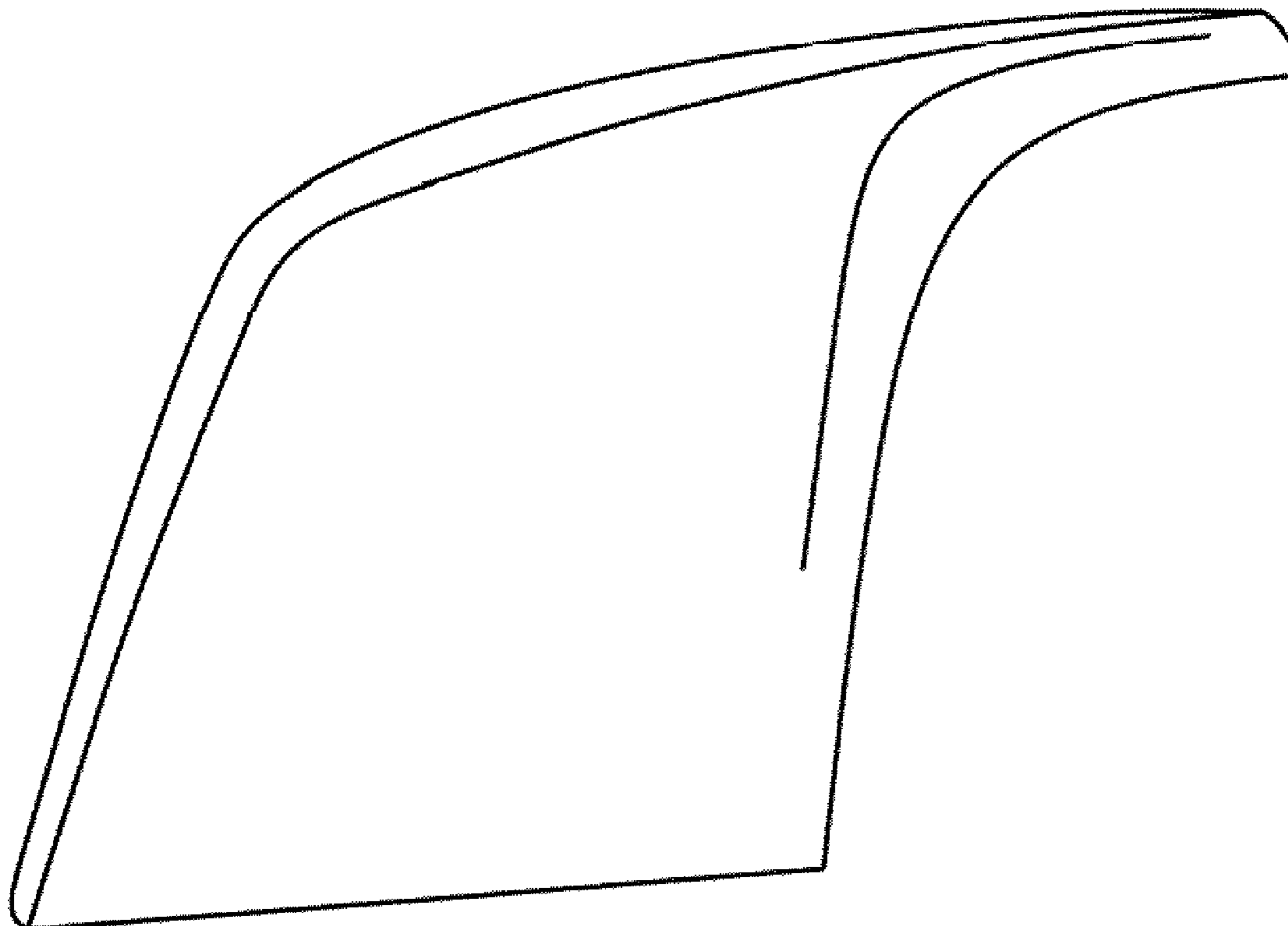
FIG. 1 is perspective view of a vehicle head lamp, showing the new design, as it would appear on a left side of the vehicle; FIG. 2 is a front view, thereof, as it would appear on a right side of the vehicle; FIG. 3 is a side view, thereof, as it would appear on the left side of the vehicle; and, FIG. 4 is a top view, thereof, as it would appear on the right side of the vehicle.

(56) **References Cited**

U.S. PATENT DOCUMENTS

D464,749 S * 10/2002 Murkett D26/28
D472,656 S * 4/2003 Pfeiffer et al. D26/28

1 Claim, 1 Drawing Sheet



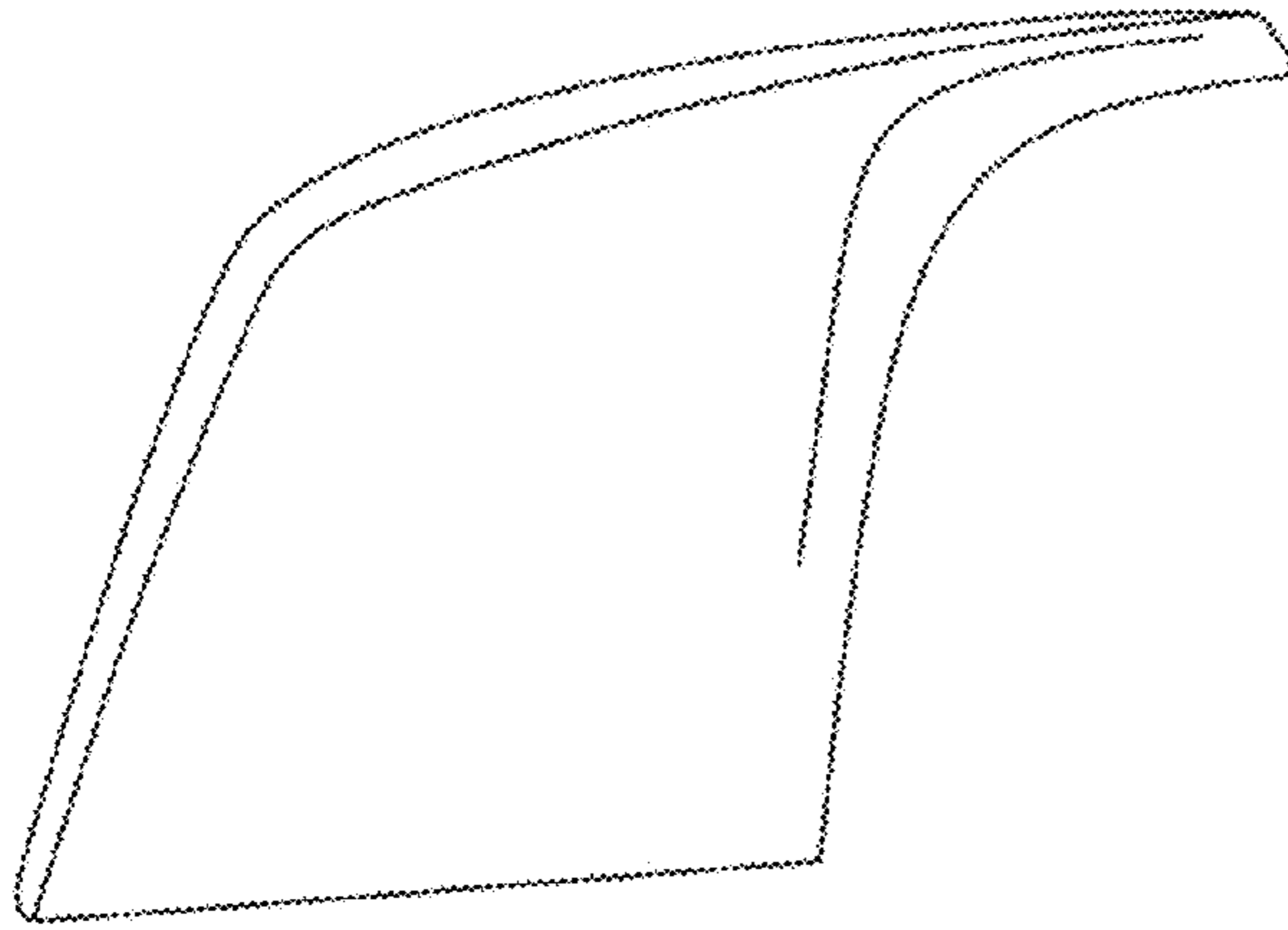


Fig-1

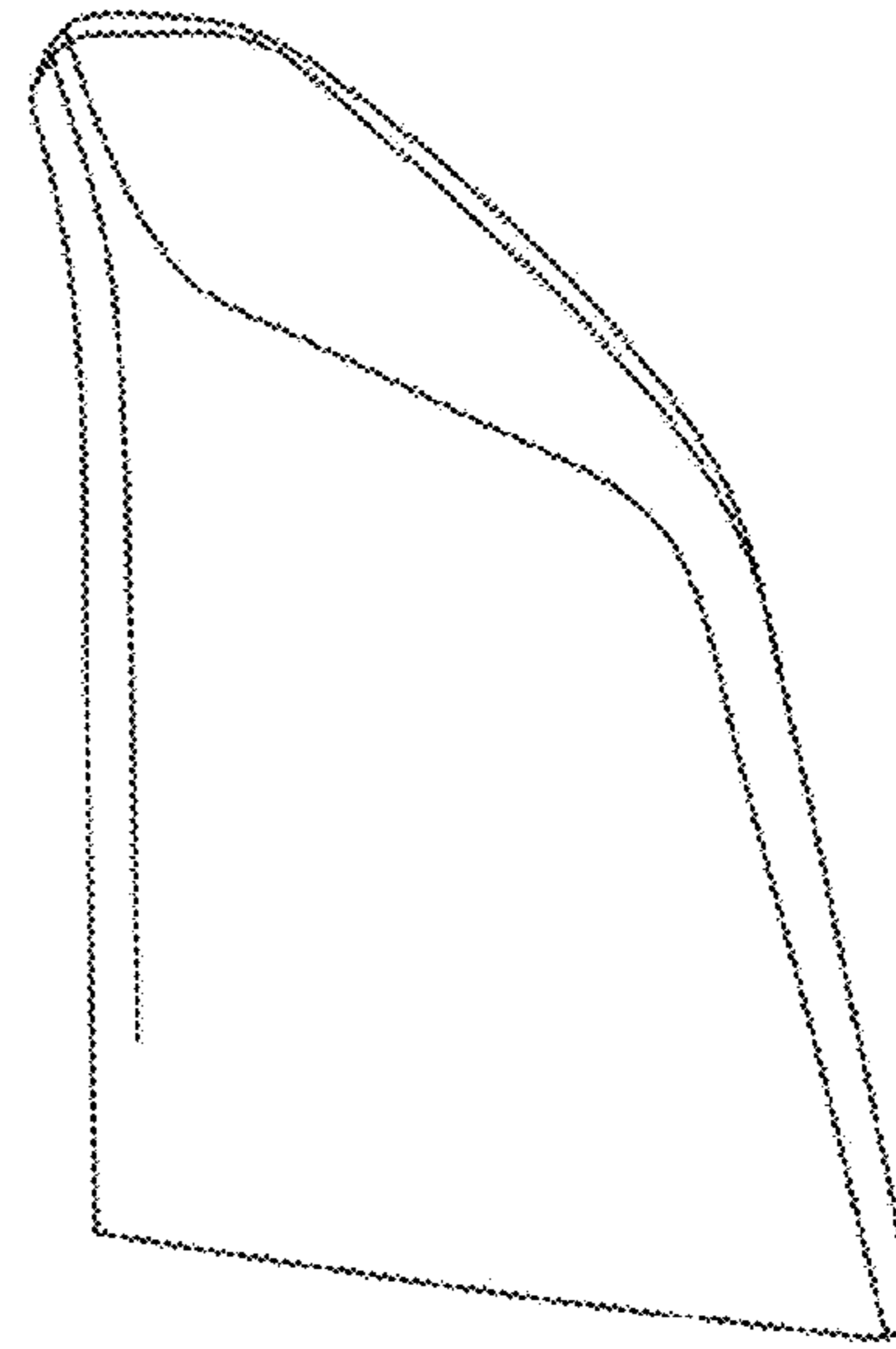


Fig-2

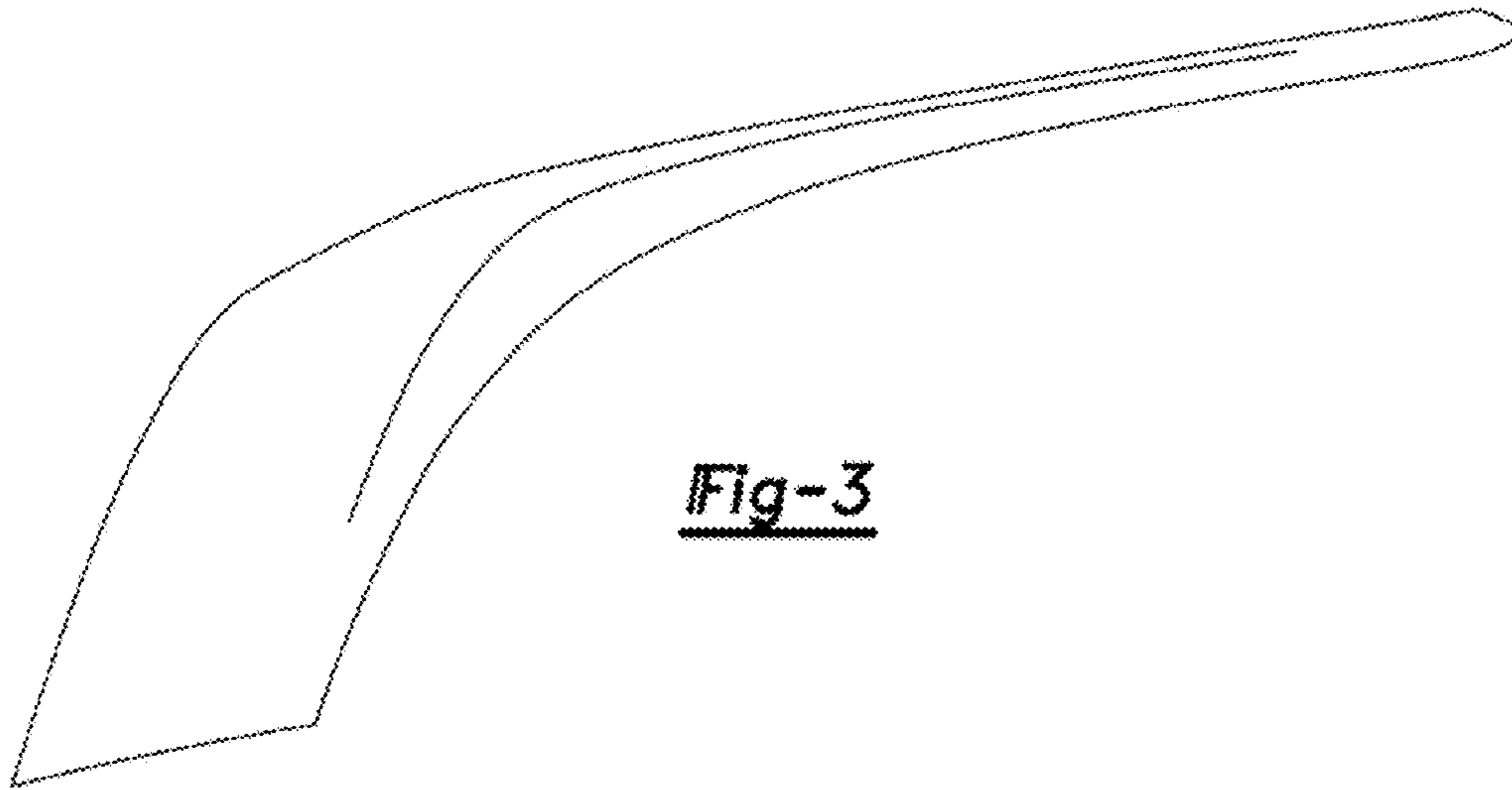


Fig-3

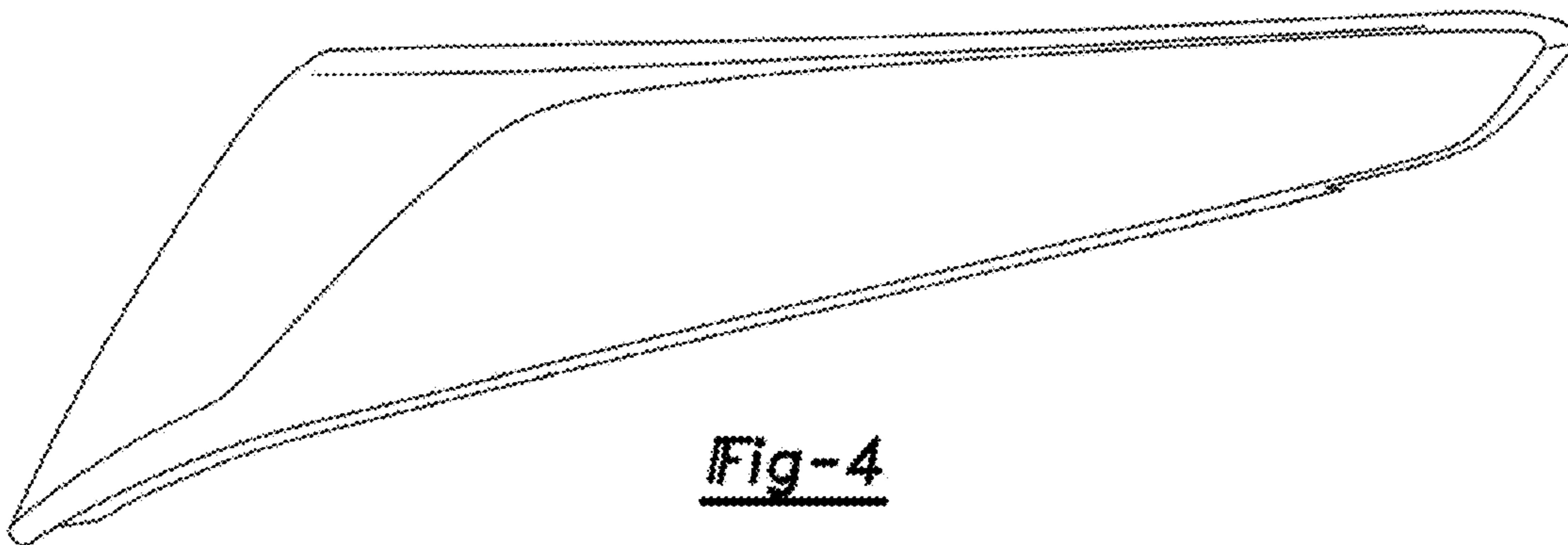


Fig-4