



US00D683870S

(12) **United States Design Patent**
Schmeckpeper

(10) **Patent No.:** **US D683,870 S**
(45) **Date of Patent:** **** Jun. 4, 2013**

(54) **VEHICLE TAIL LAMP**
(75) Inventor: **Daniel E Schmeckpeper**, Clarkston, MI (US)
(73) Assignee: **GM Global Technology Operations LLC**, Detroit, MI (US)

D552,769 S * 10/2007 Leclercq D26/28
D565,211 S * 3/2008 Haller et al. D26/28
D602,616 S * 10/2009 Okamura et al. D26/28
D605,793 S * 12/2009 Weil D26/28

(**) Term: **14 Years**

* cited by examiner

(21) Appl. No.: **29/407,556**

Primary Examiner — Marcus Jackson
(74) *Attorney, Agent, or Firm* — Parks IP Law LLC; Mickki D. Murray

(22) Filed: **Nov. 30, 2011**

(51) **LOC (9) Cl.** **26-06**

(52) **U.S. Cl.**
USPC **D26/28**

(58) **Field of Classification Search**
USPC D26/28; 362/459–468, 475–478,
362/485–487

See application file for complete search history.

(57) **CLAIM**
The ornamental design for a vehicle tail lamp, as shown and described.

(56) **References Cited**

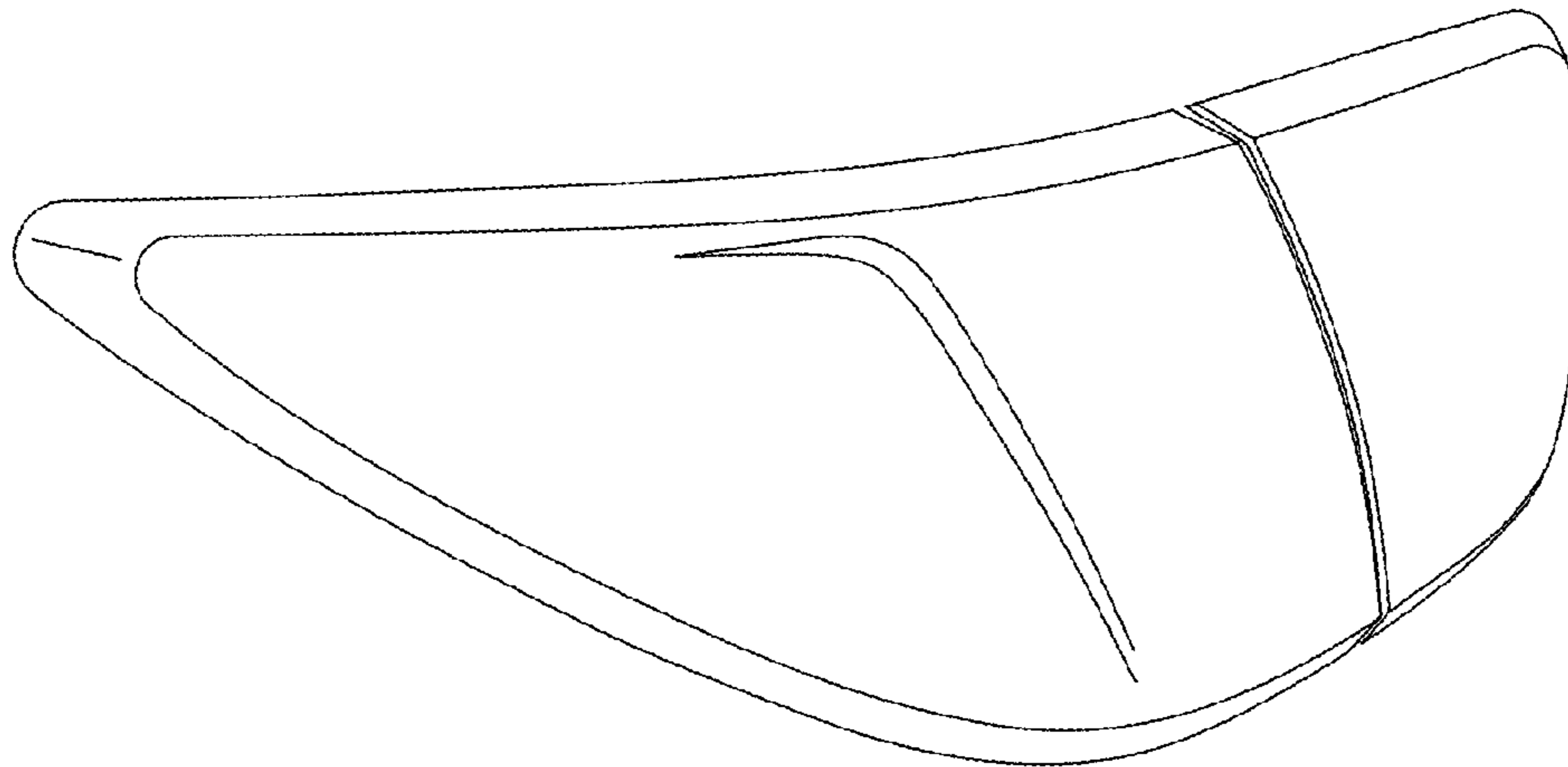
DESCRIPTION

U.S. PATENT DOCUMENTS

FIG. 1 is perspective view of a vehicle tail lamp showing the new design;
FIG. 2 is a front view, thereof; and,
FIG. 3 is a plan view, thereof.

D550,380 S * 9/2007 Lin D26/28

1 Claim, 1 Drawing Sheet



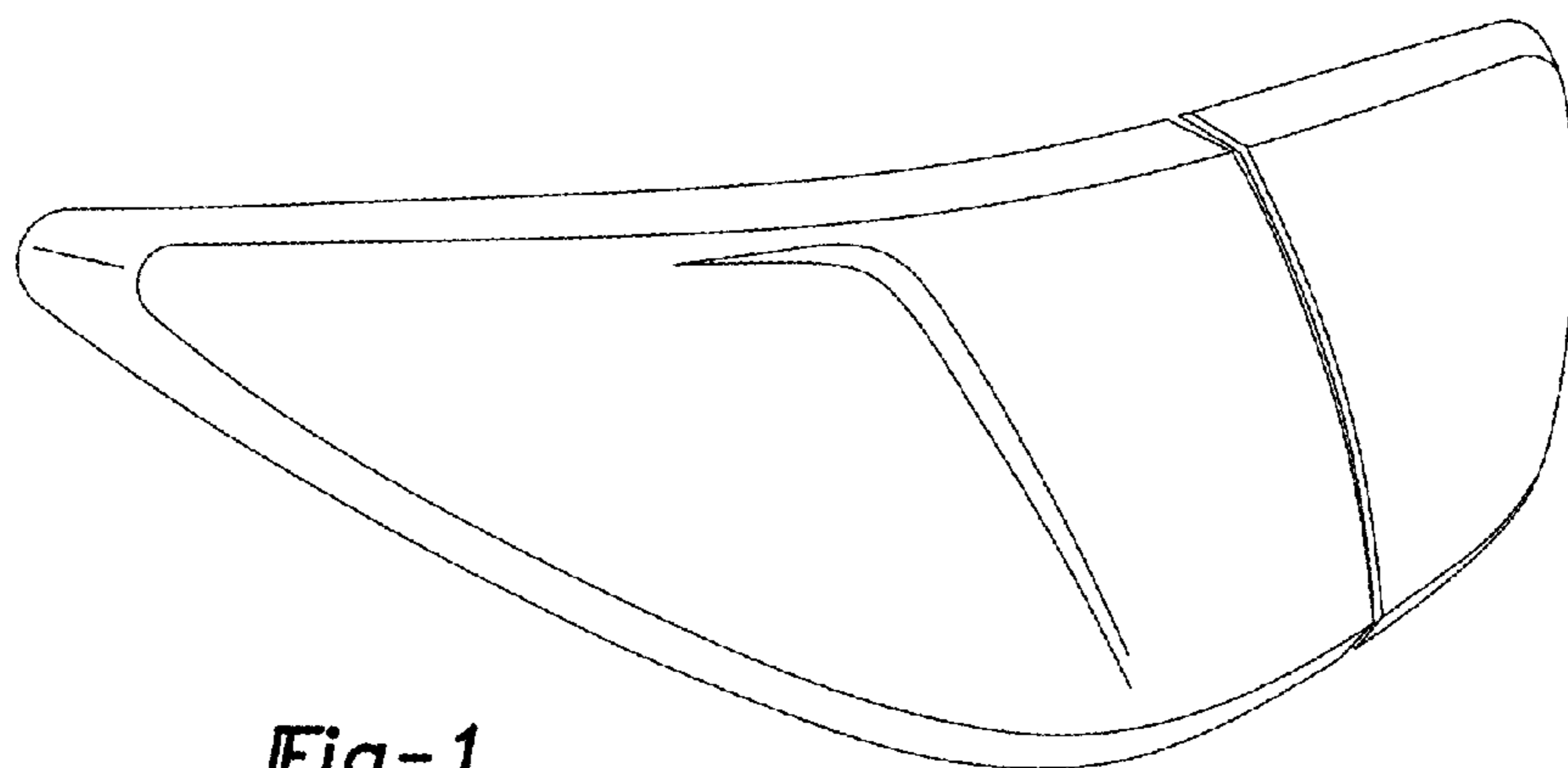


Fig-1

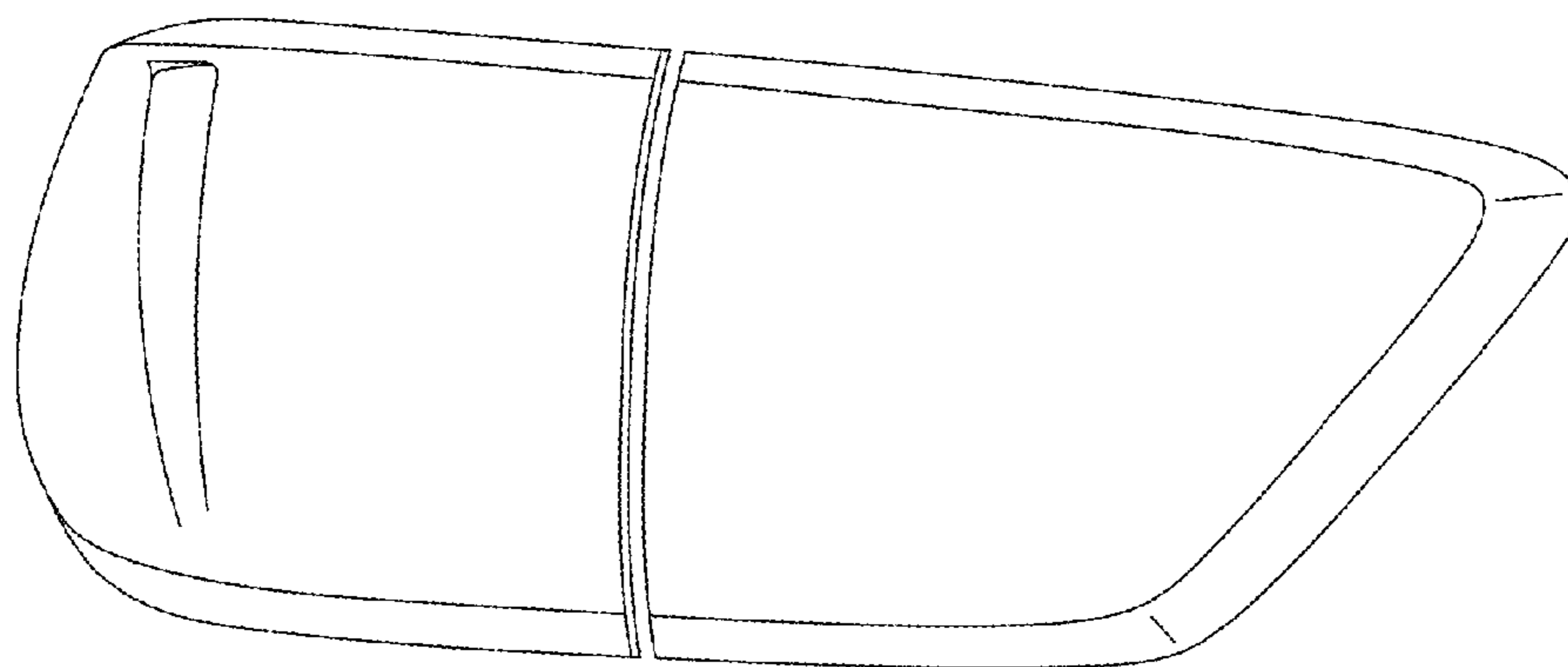


Fig-2

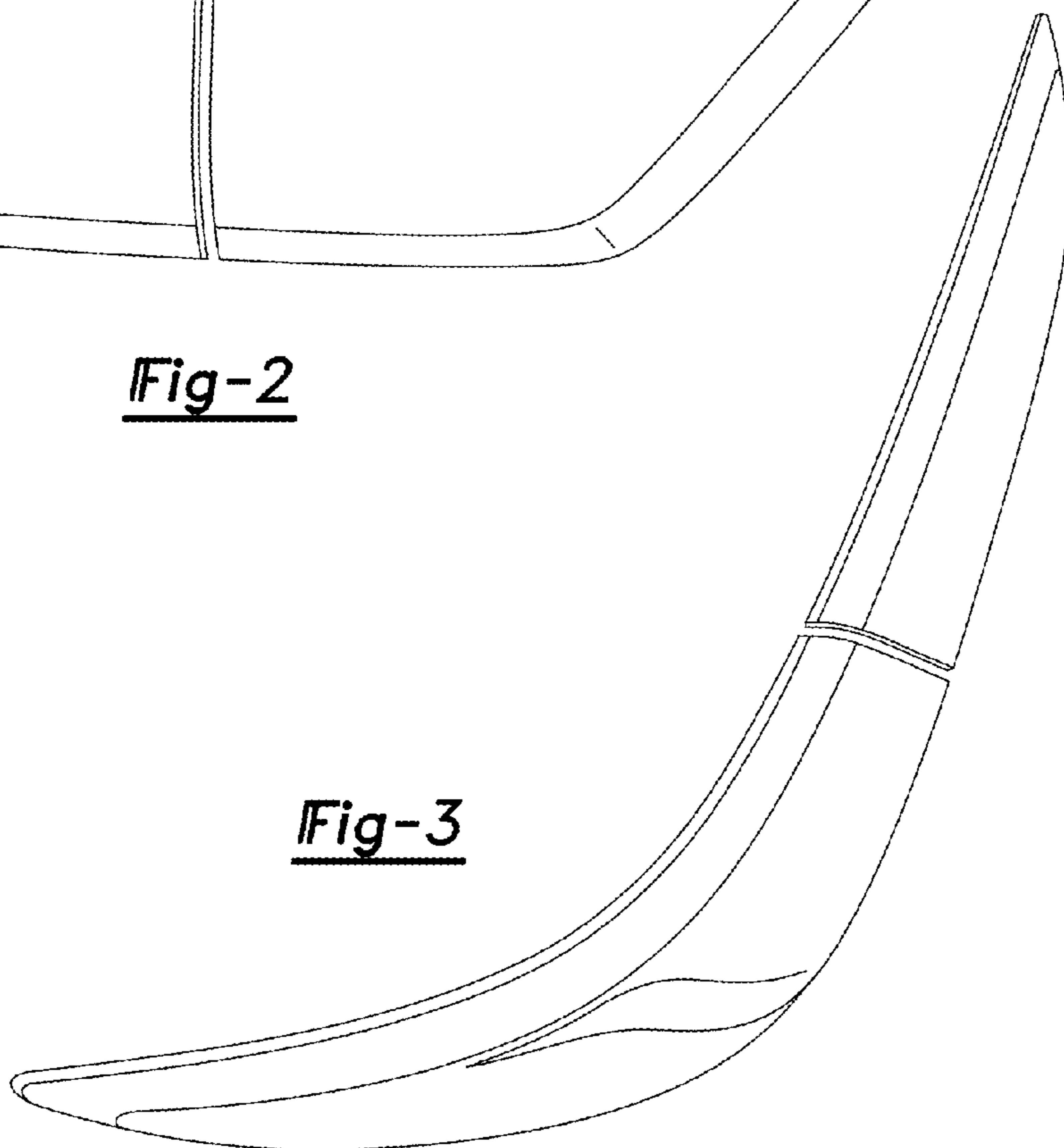


Fig-3