



US00D683868S

(12) **United States Design Patent**
Blasi

(10) **Patent No.:** **US D683,868 S**
(45) **Date of Patent:** **** Jun. 4, 2013**

(54) **HEADLIGHT FOR A VEHICLE**

Primary Examiner — Marcus Jackson

(75) **Inventor:** **Juliane Blasi**, Munich (DE)

(74) *Attorney, Agent, or Firm* — Crowell & Moring LLP

(73) **Assignee:** **Bayerische Motoren Werke Aktiengesellschaft**, Munich (DE)

(57) **CLAIM**

The ornamental design for a headlight for a vehicle, as shown and described.

(**) **Term:** **14 Years**

DESCRIPTION

(21) **Appl. No.:** **29/398,935**

This application contains subject matter related to the following co-pending U.S. design patent application: Application Ser. No. 29/398,932, filed herewith and entitled "Vehicle, Toy, and/or Replicas Thereof".

(22) **Filed:** **Aug. 8, 2011**

(30) **Foreign Application Priority Data**

Feb. 9, 2011 (DE) 402011000781

(51) **LOC (9) Cl.** **26-06**

(52) **U.S. Cl.**
USPC **D26/28**

(58) **Field of Classification Search**
USPC D26/28-36; 362/459-468, 475-478,
362/485-487

See application file for complete search history.

FIG. 1 is a right, front perspective view of a first embodiment of a headlight for a vehicle according to my design;
FIG. 2 is a left, front perspective view thereof;
FIG. 3 is a front view thereof;
FIG. 4 is a right side view thereof;
FIG. 5 is a left side view thereof;
FIG. 6 is a top view thereof; and
FIG. 7 is a bottom view thereof.
FIG. 8 is a left front perspective view of the second embodiment of the headlight for a vehicle showing of our new design, with the headlight for a vehicle for the opposite side of the vehicle being depicted in the first embodiment;
FIG. 9 is a right, front perspective view thereof;
FIG. 10 is a front view thereof;
FIG. 11 is a left side view thereof;
FIG. 12 is a right side view thereof;
FIG. 13 is a top view thereof; and,
FIG. 14 is a bottom view thereof.

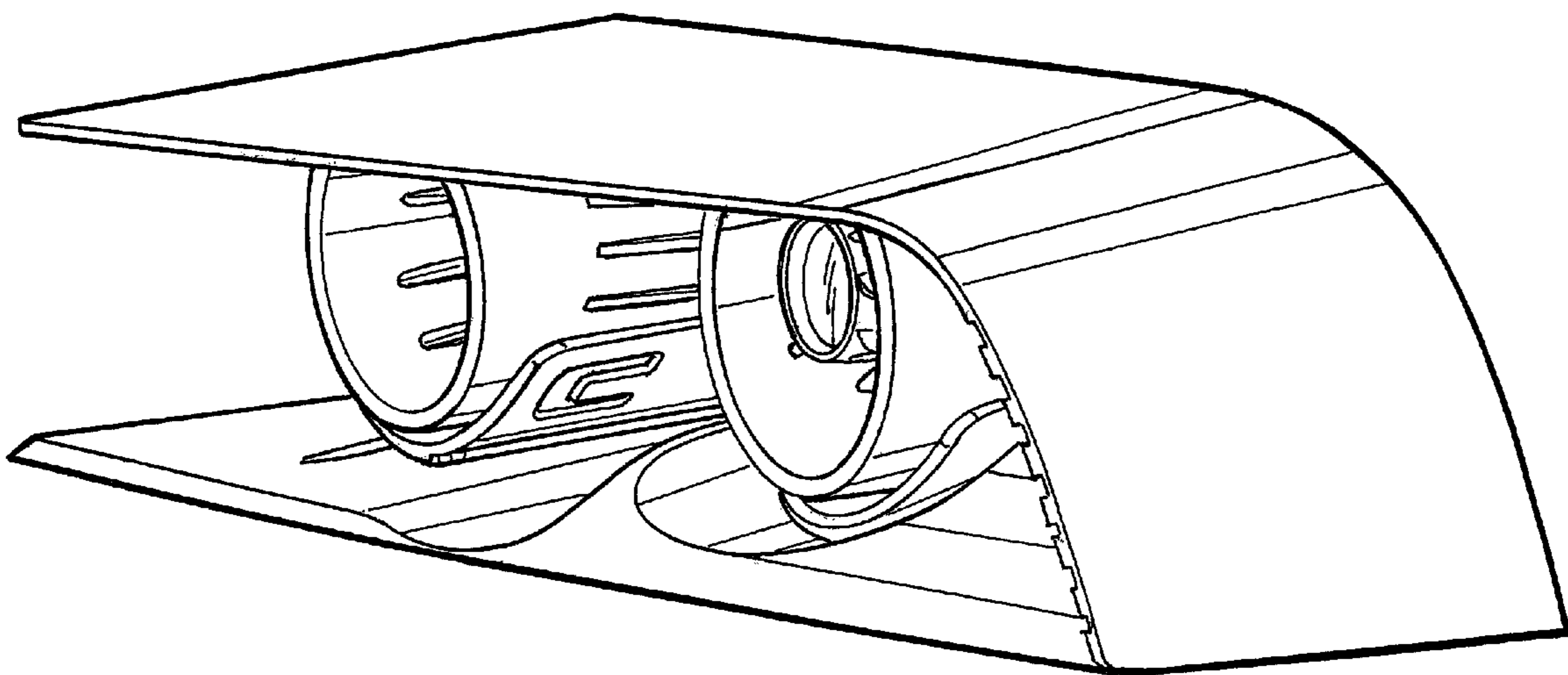
(56) **References Cited**

U.S. PATENT DOCUMENTS

D538,956 S *	3/2007	Ishii	D26/28
D561,358 S *	2/2008	Tachibana	D26/28
D570,007 S *	5/2008	Hsu	D26/28
D582,587 S *	12/2008	Yang	D26/28
D593,232 S *	5/2009	Koman et al.	D26/28
D635,694 S *	4/2011	Yang et al.	D26/28

* cited by examiner

1 Claim, 10 Drawing Sheets



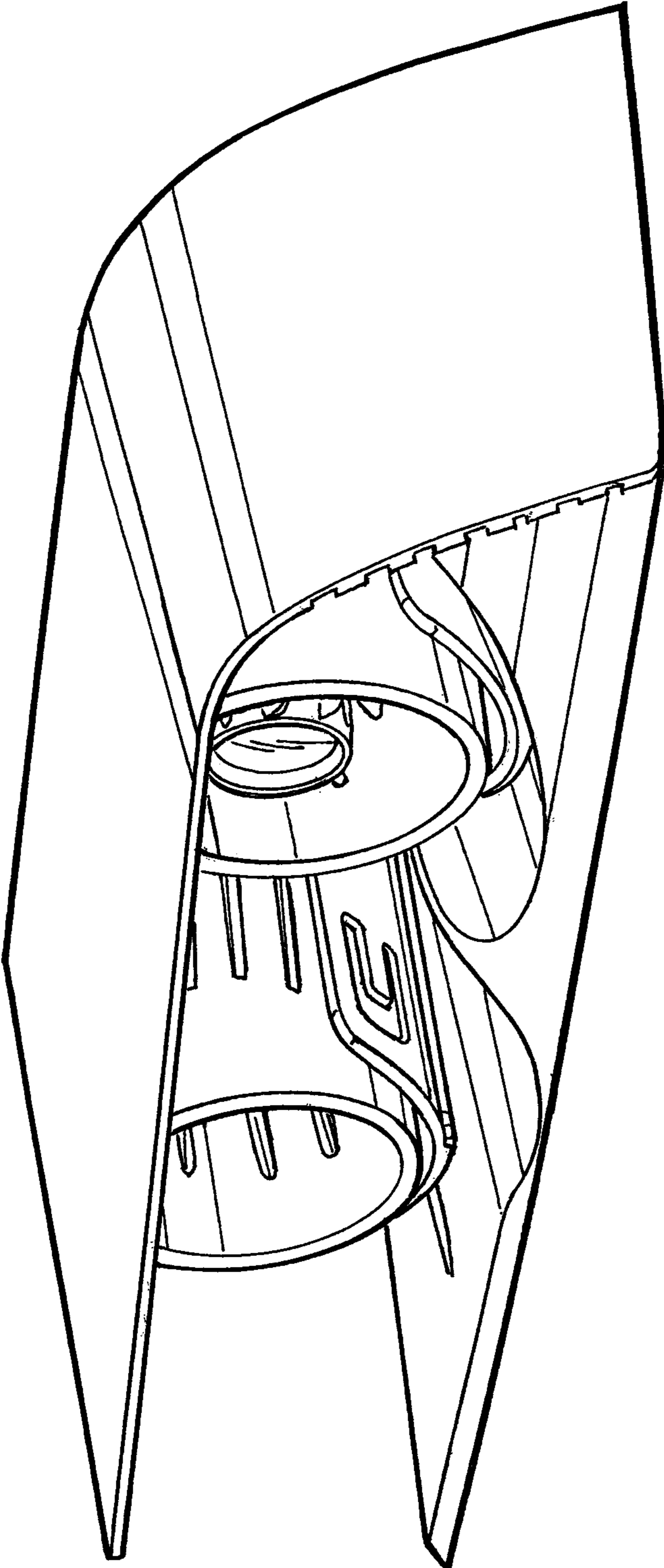


FIG. 1

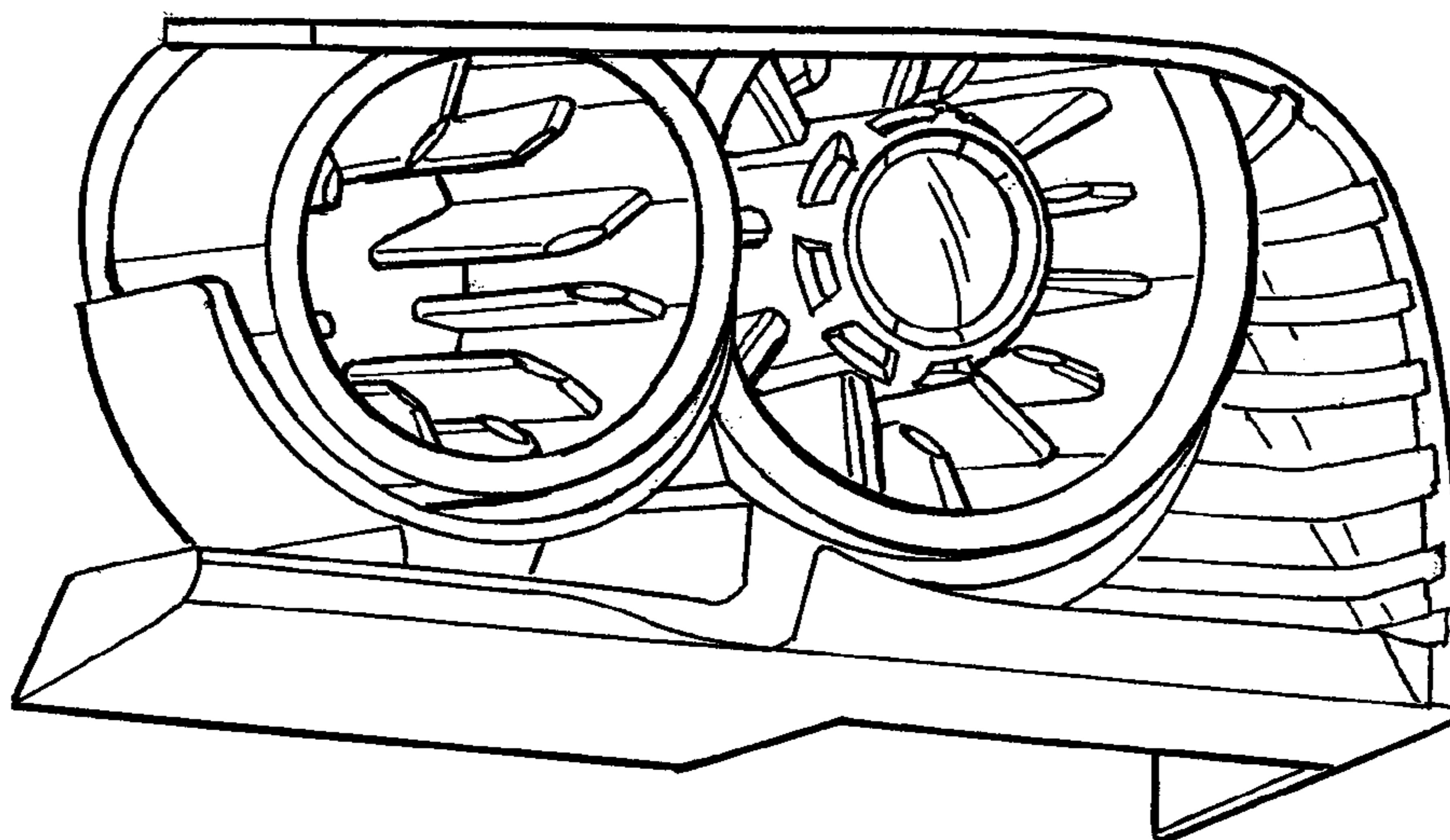


FIG. 2

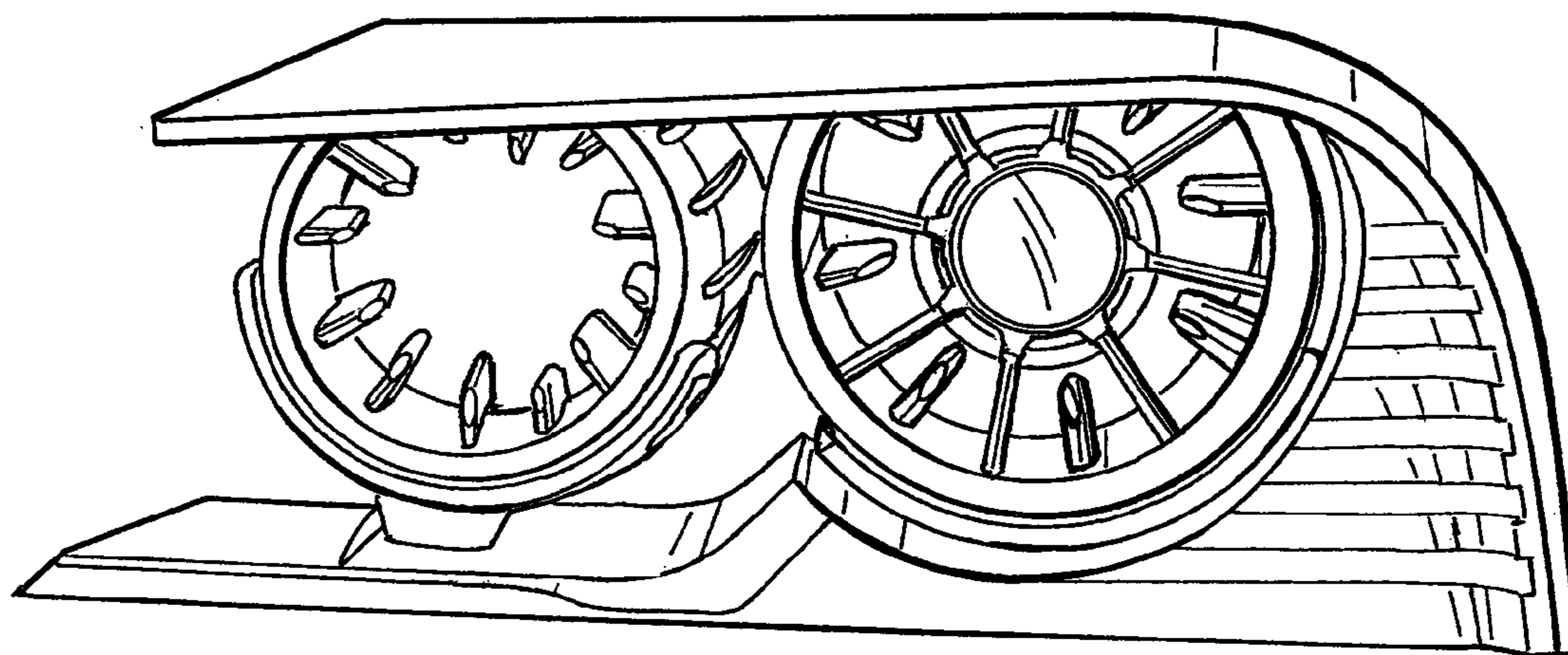


FIG. 3

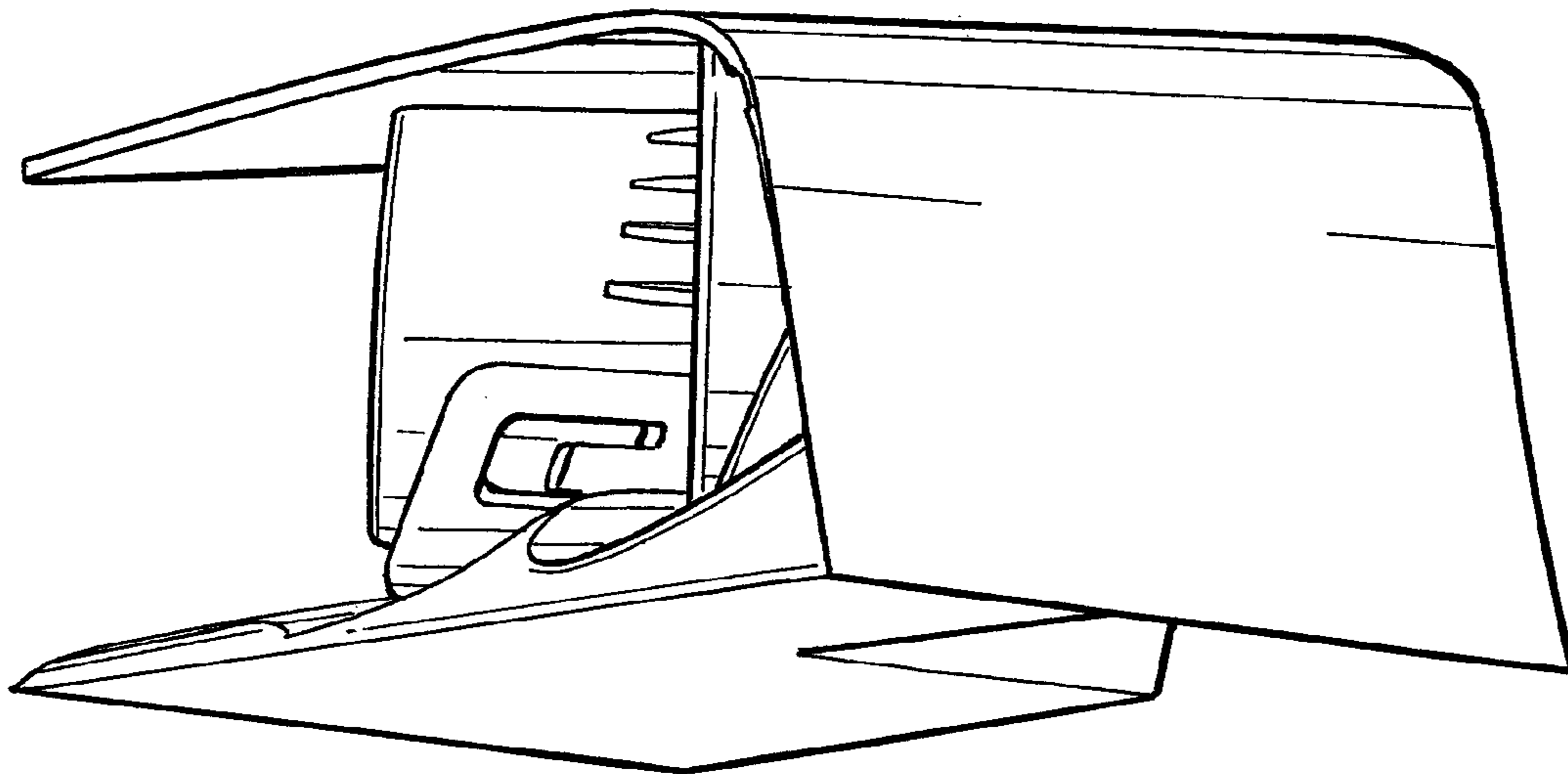


FIG. 4

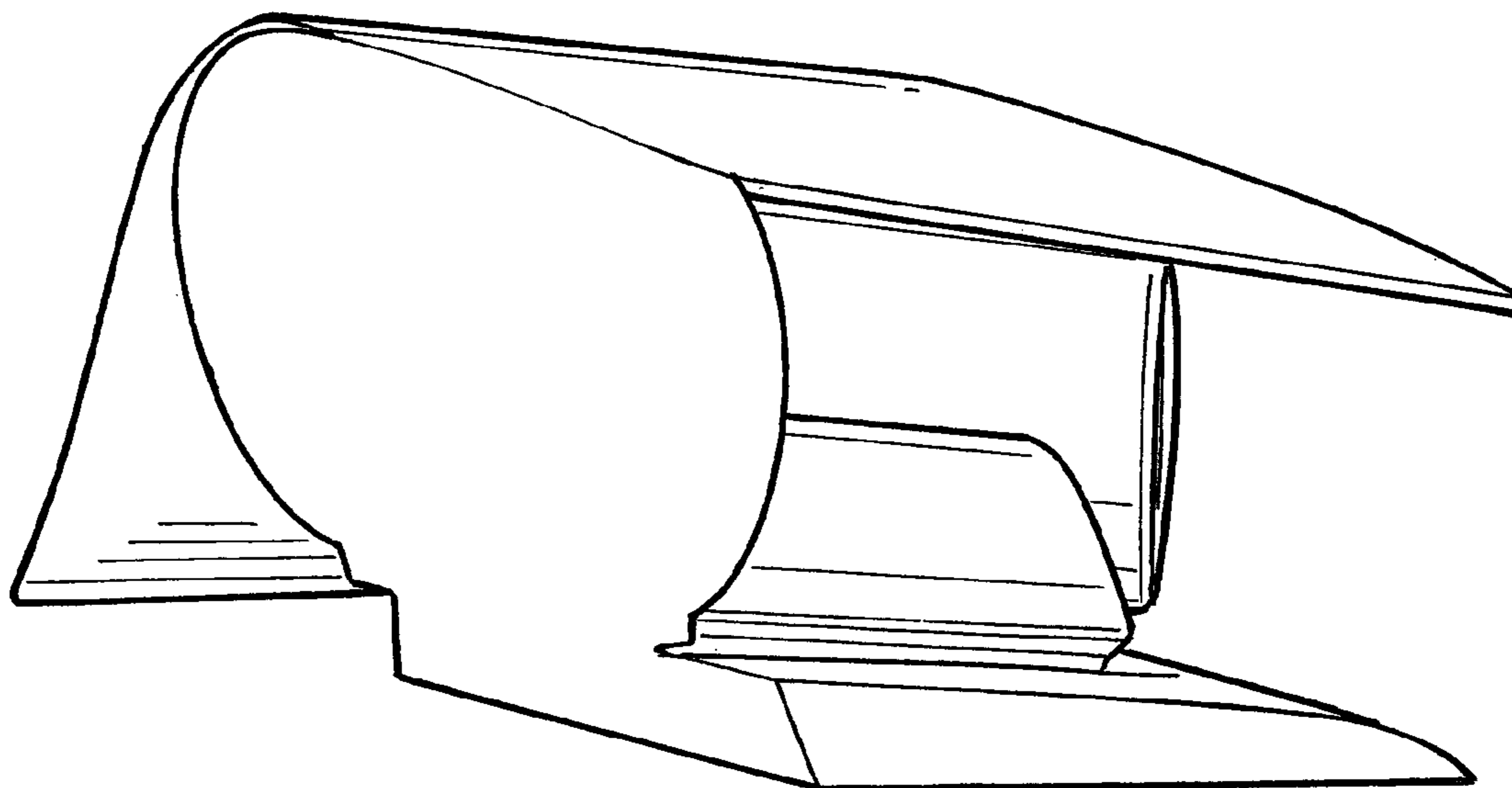


FIG. 5

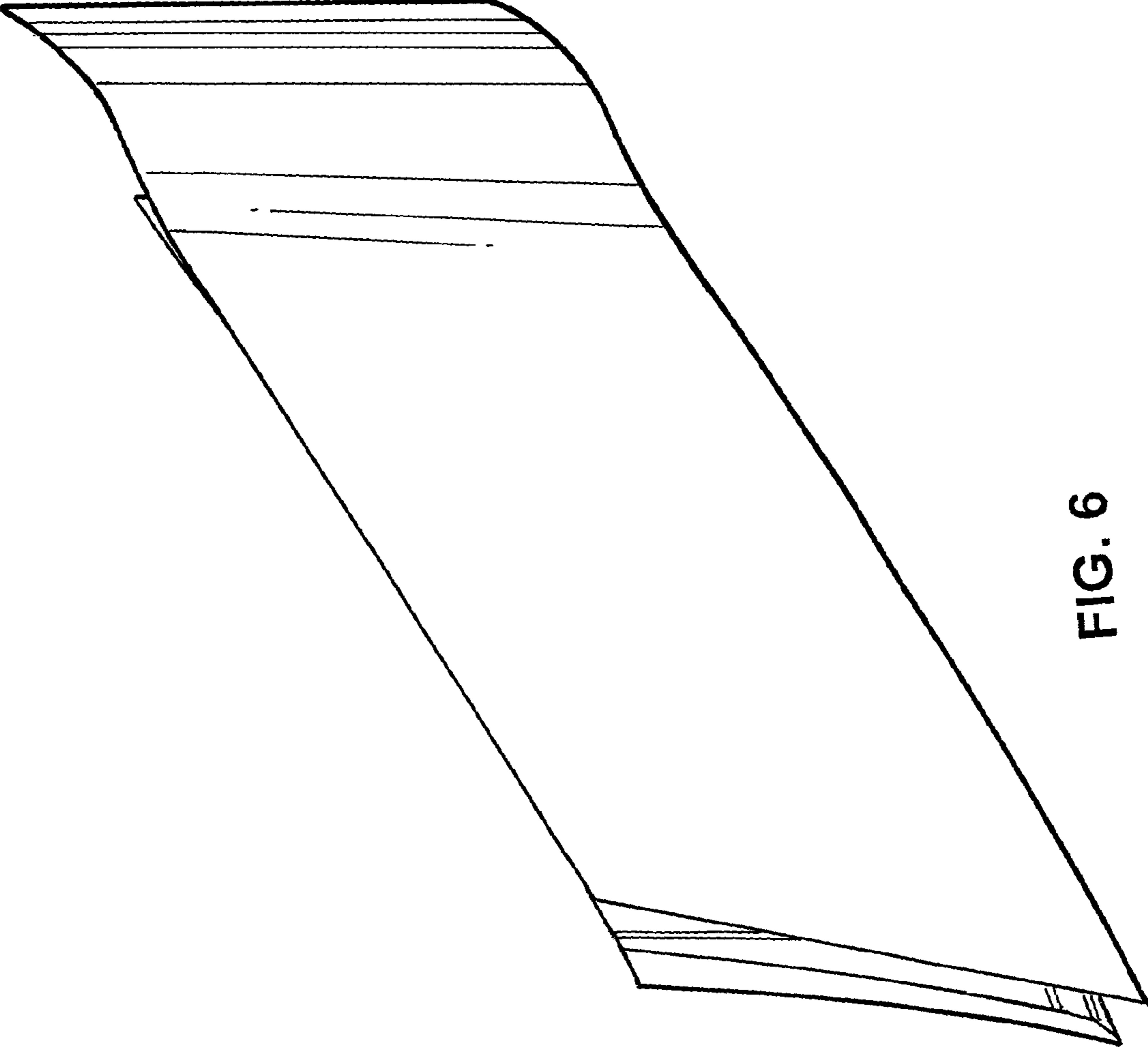


FIG. 6

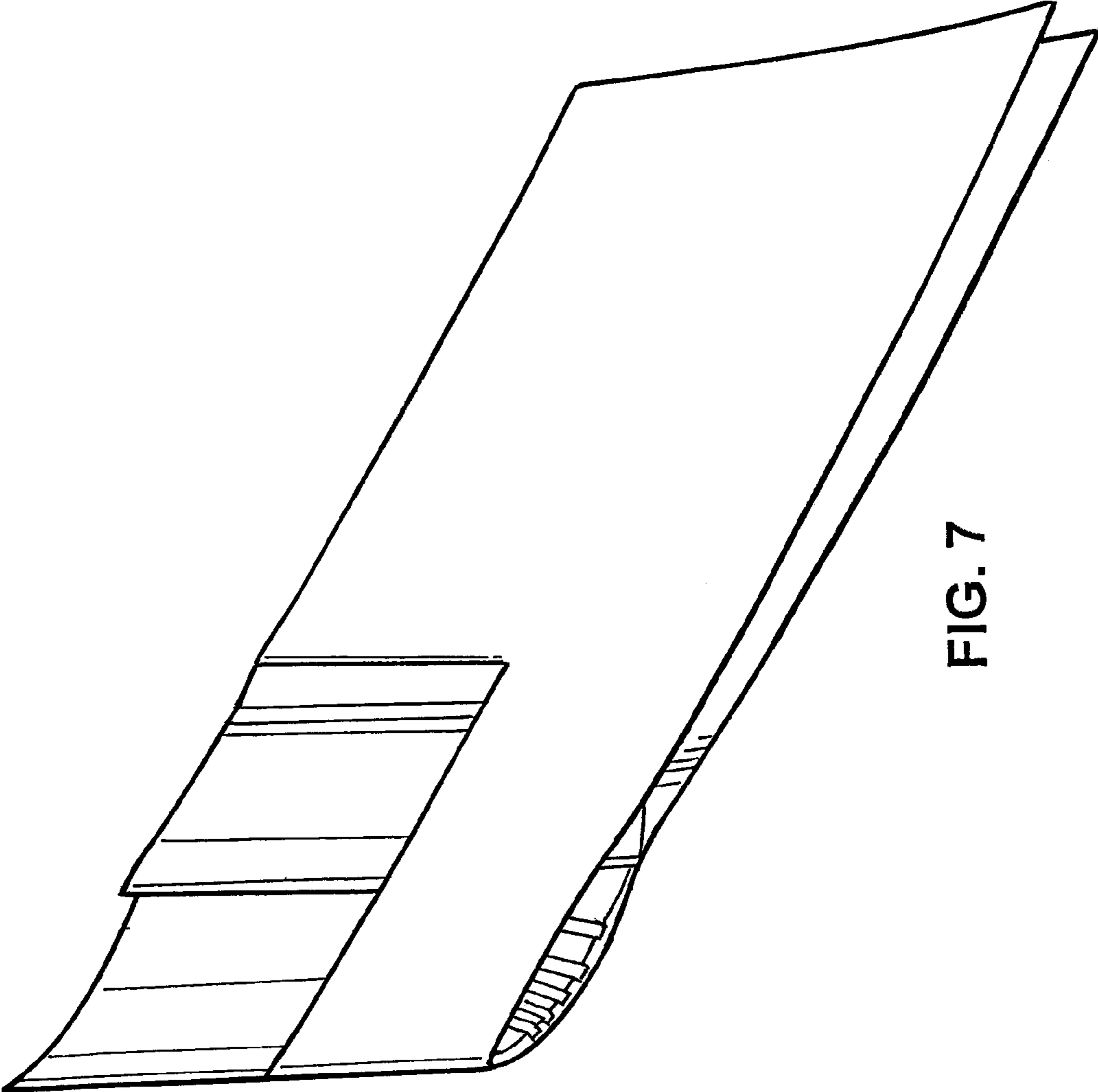


FIG. 7

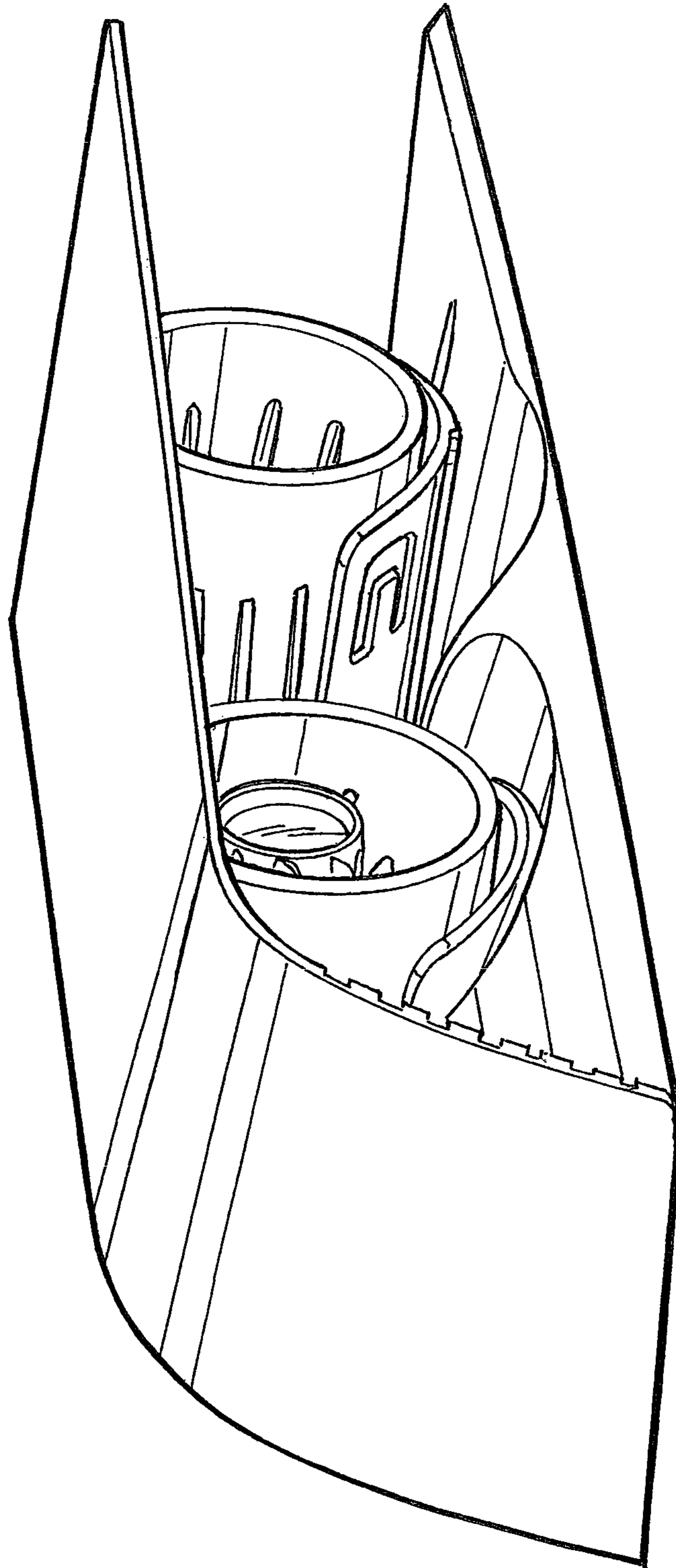


FIG. 8

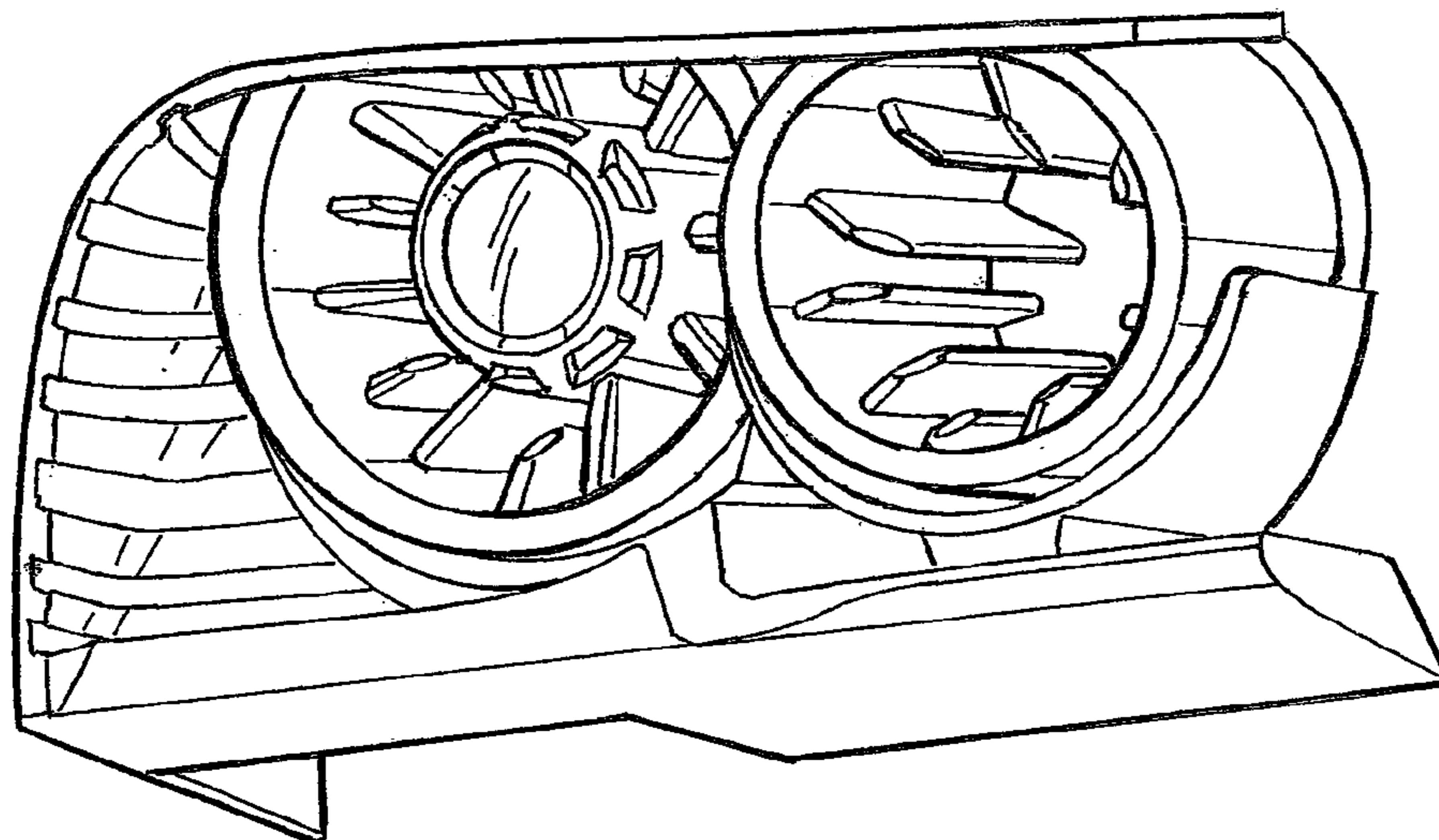


FIG. 9

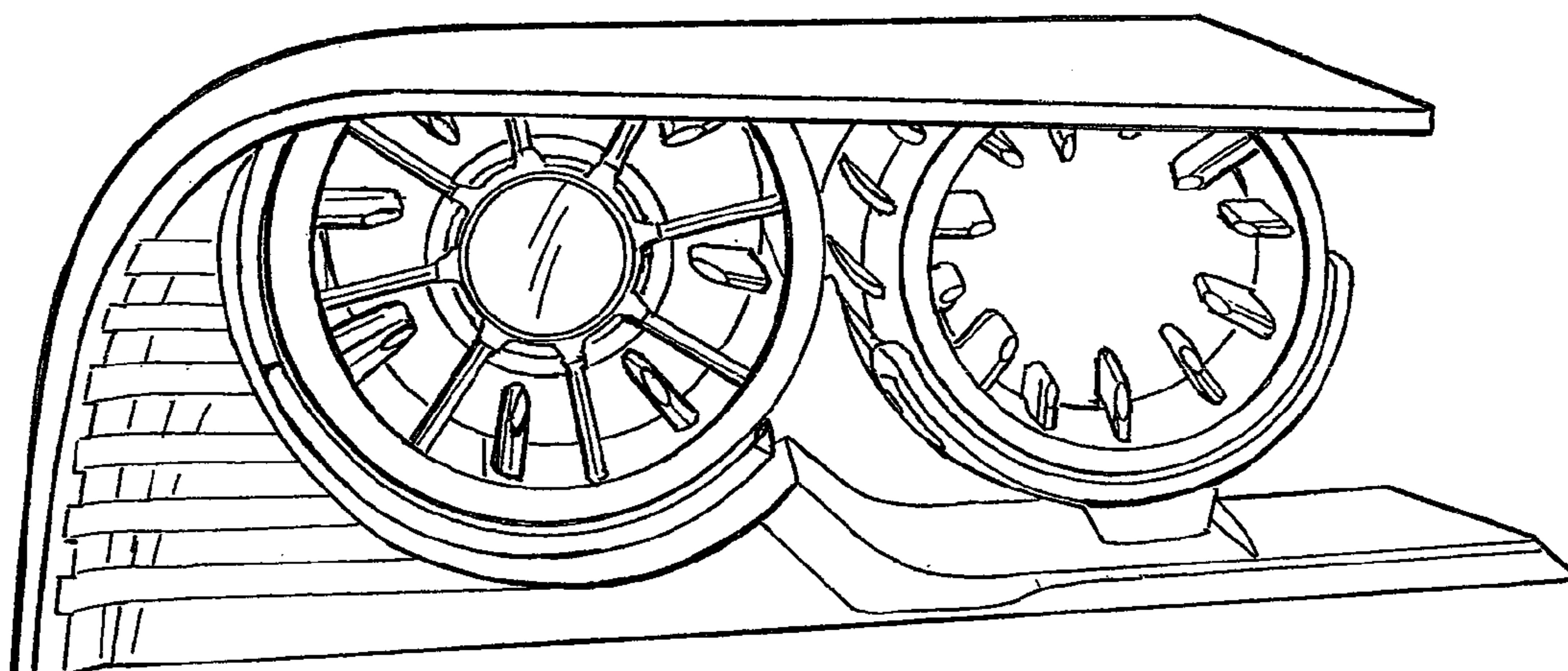


FIG. 10

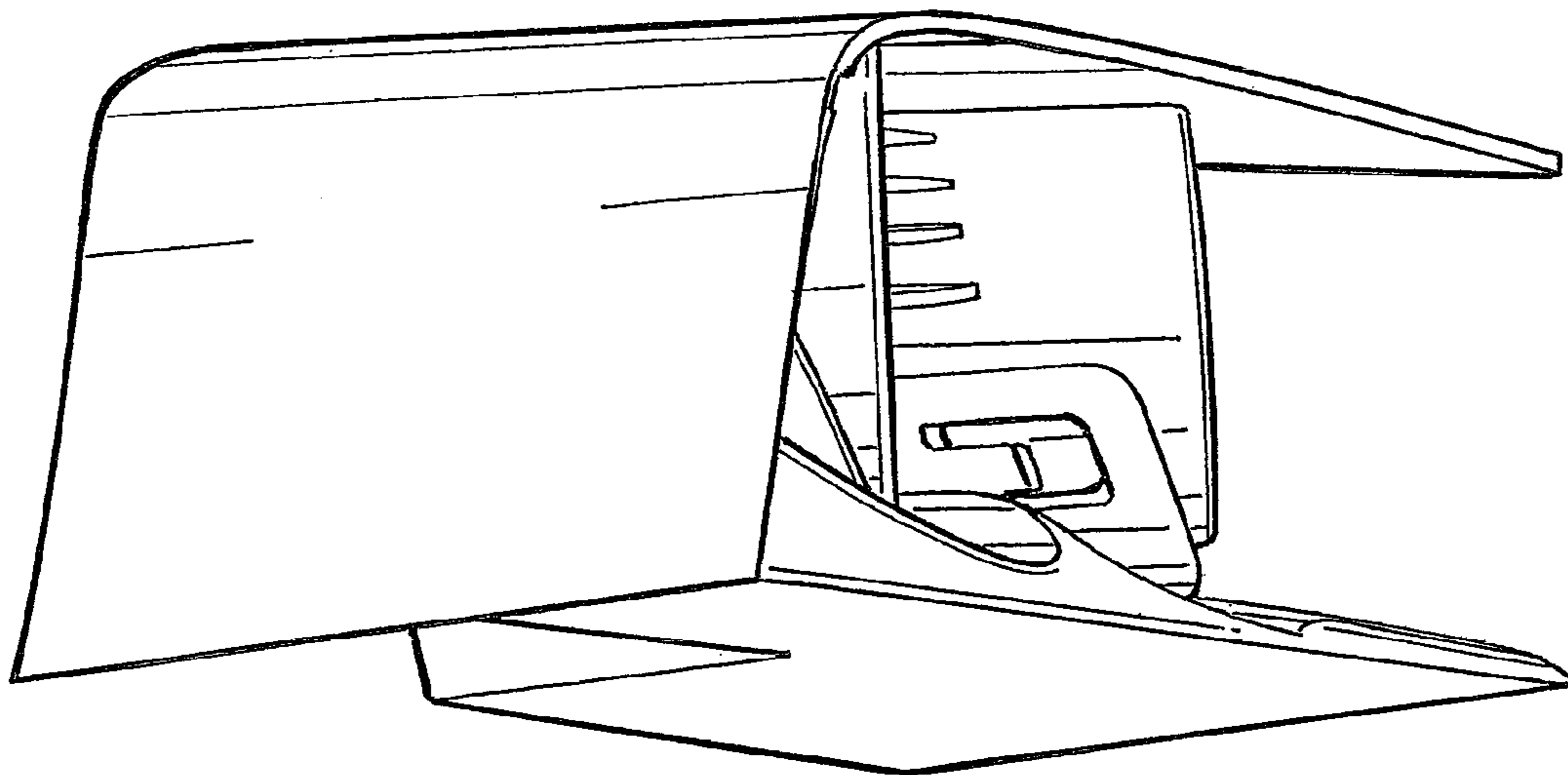


FIG. 11

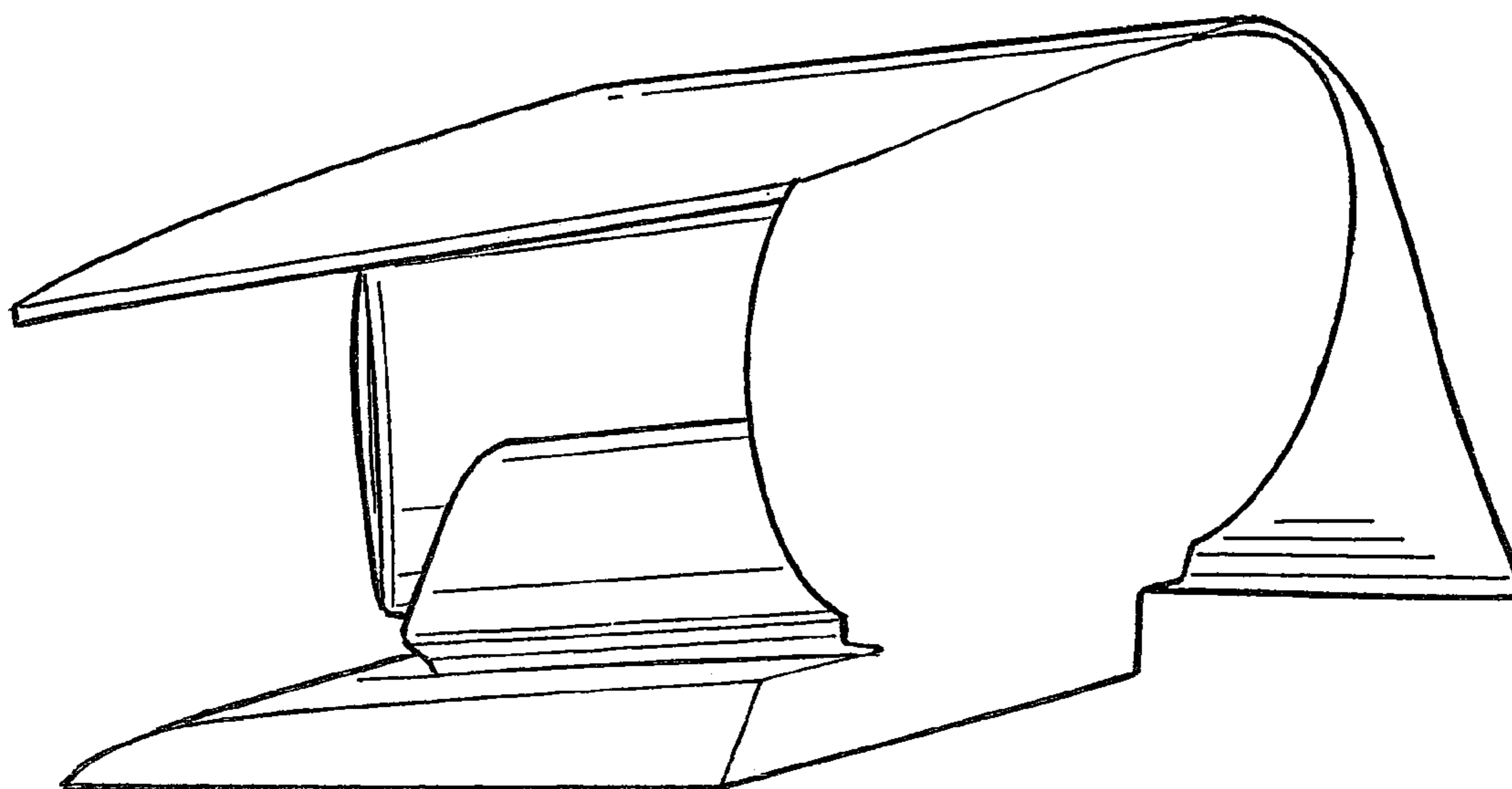


FIG. 12

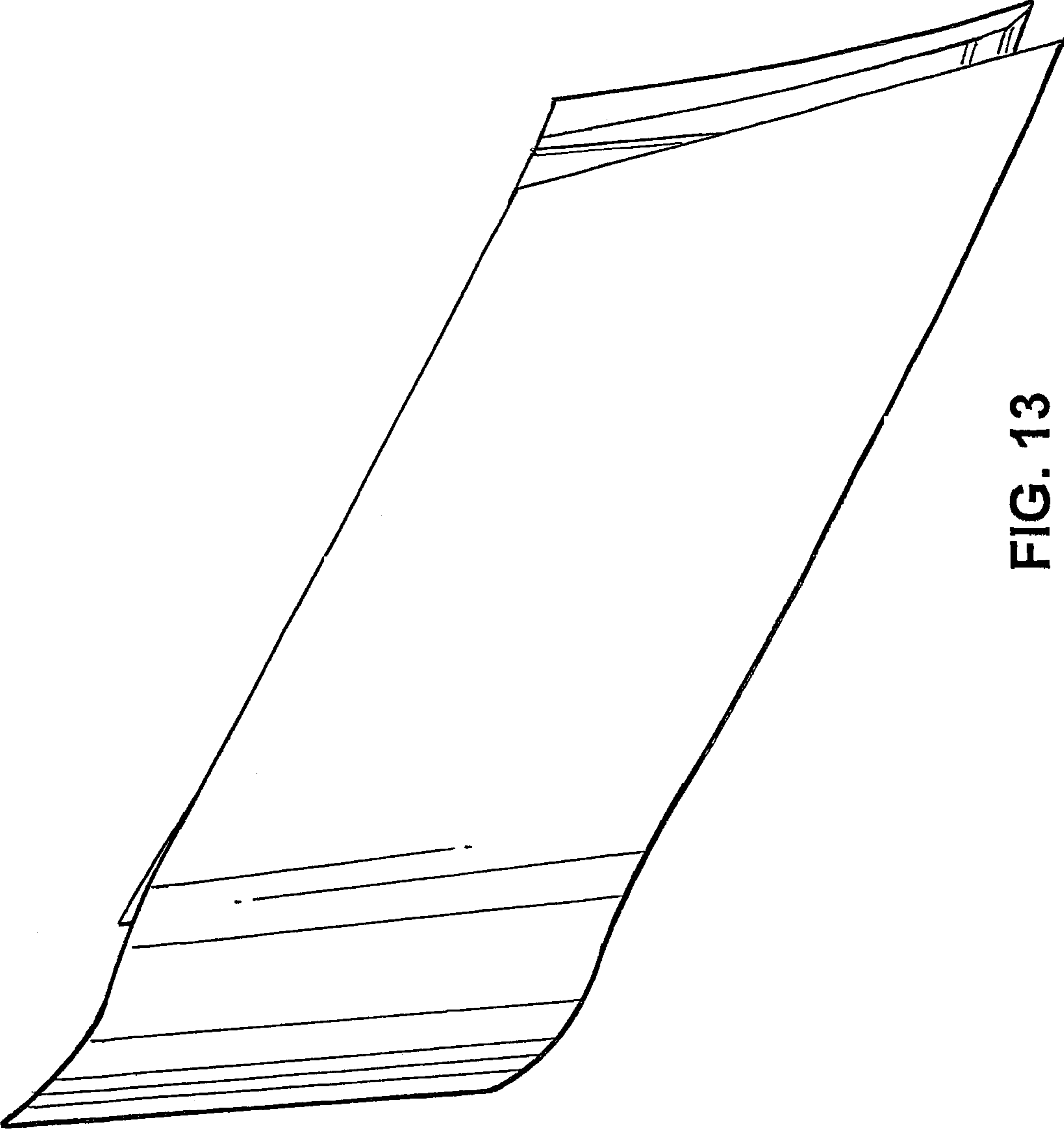


FIG. 13

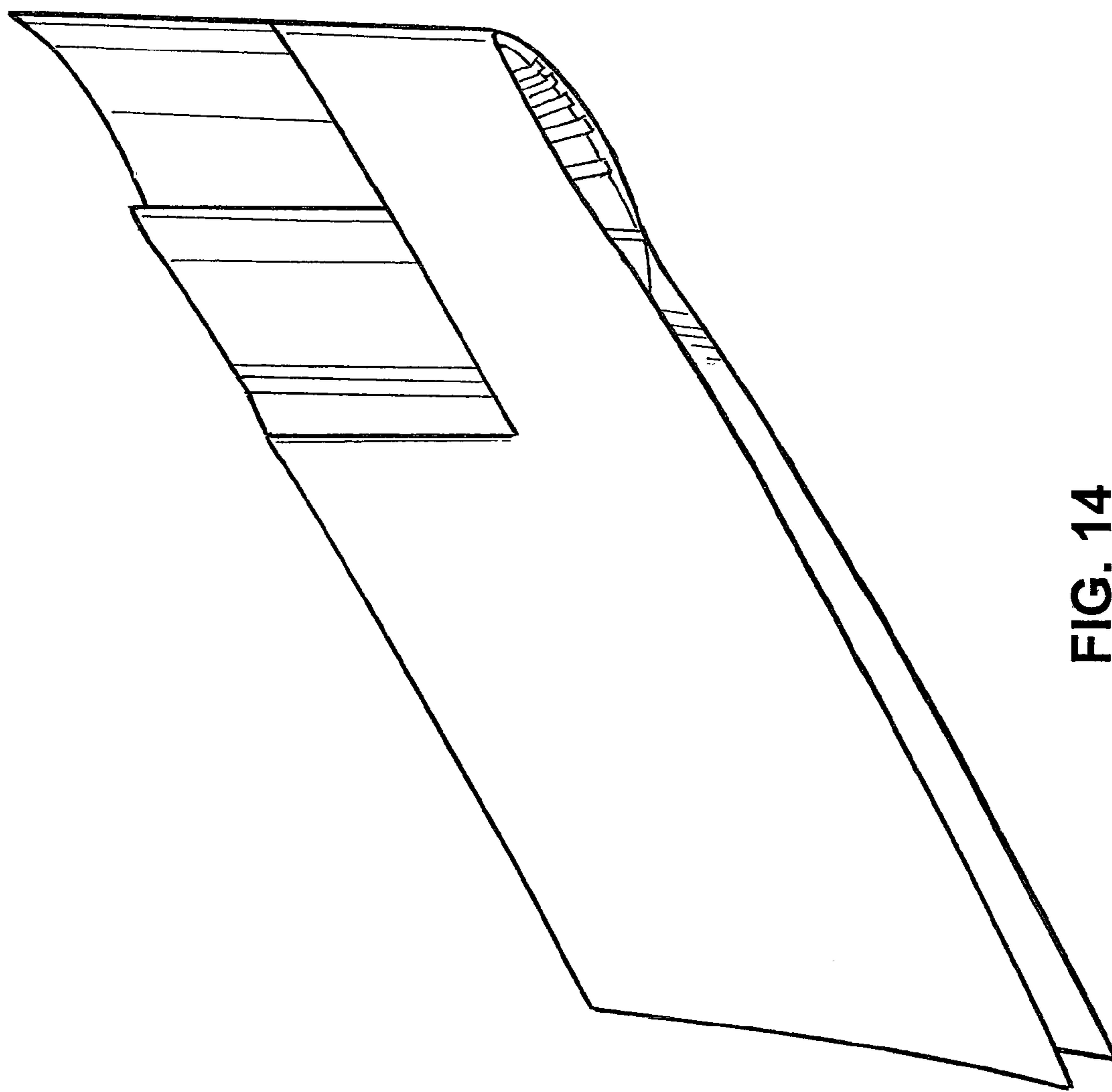


FIG. 14