



US00D683866S

(12) **United States Design Patent**
Zeng et al.

(10) **Patent No.:** **US D683,866 S**
(45) **Date of Patent:** **** Jun. 4, 2013**

(54) **PAR LAMP HEAT SINK**

(75) Inventors: **Yichong Zeng**, Chelmsford, MA (US);
Shiyong Zhang, Acton, MA (US)

(73) Assignee: **OSRAM SYLVANIA Inc.**, Danvers,
MA (US)

(**) Term: **14 Years**

(21) Appl. No.: **29/414,714**

(22) Filed: **Mar. 2, 2012**

(51) **LOC (9) Cl.** **26-04**

(52) **U.S. Cl.**
USPC **D26/2**

(58) **Field of Classification Search**
USPC D26/1-4; 313/313, 315, 316, 317,
313/318, 493; 315/52, 53, 56, 57, 58
See application file for complete search history.

(56) **References Cited**

U.S. PATENT DOCUMENTS

D541,957 S *	5/2007	Wang	D26/2
D631,571 S *	1/2011	Bobel	D26/2
D656,252 S *	3/2012	Engl et al.	D26/2
D658,790 S *	5/2012	Lee	D26/2
D661,259 S *	6/2012	Layevsky et al.	D13/179
D661,413 S *	6/2012	Maxik et al.	D26/2

* cited by examiner

Primary Examiner — Marcus Jackson

(74) *Attorney, Agent, or Firm* — Edward S. Podszus

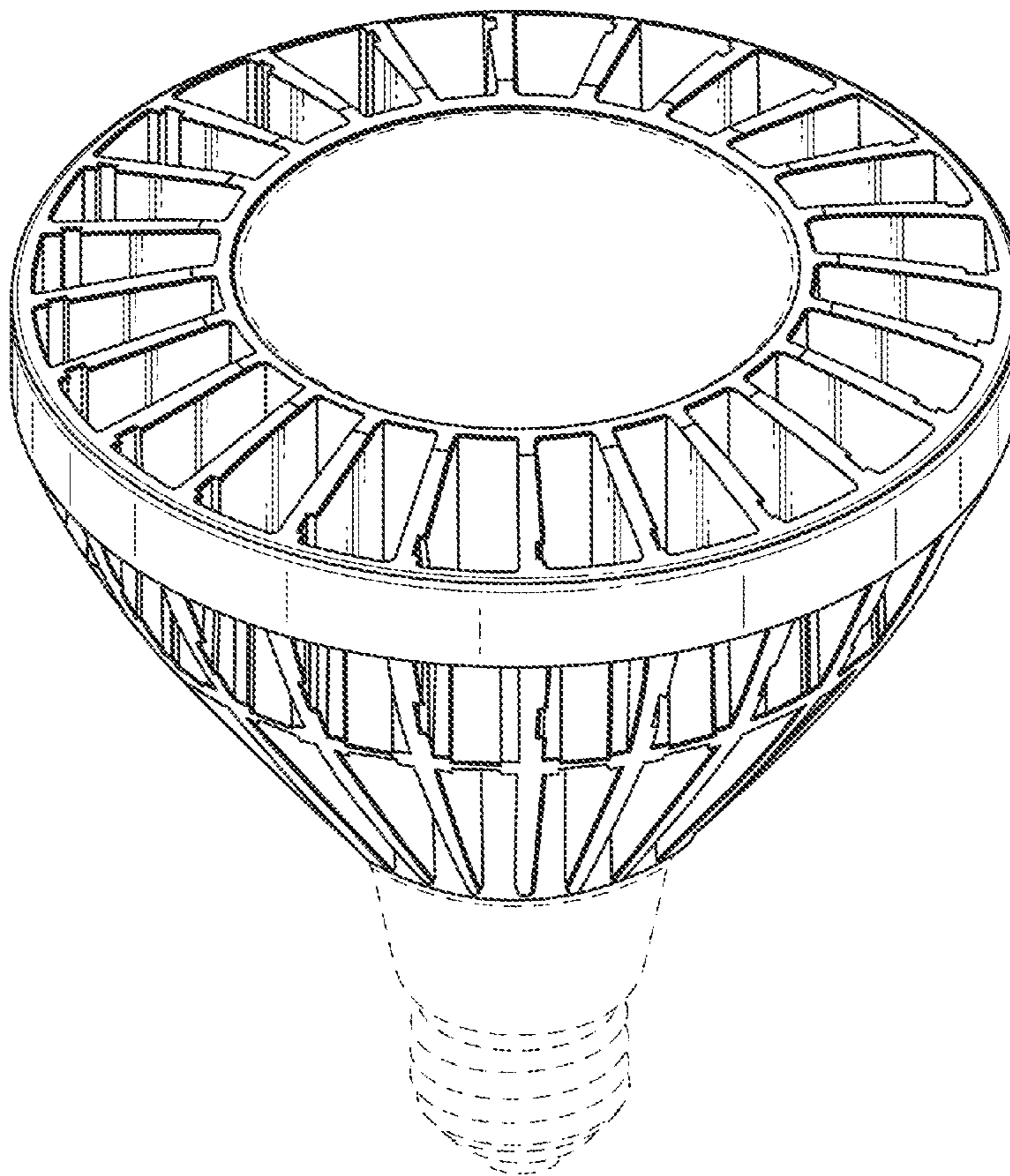
(57) **CLAIM**

The ornamental design for a par lamp heat sink, as shown and described.

DESCRIPTION

FIG. 1 is a perspective view of the design for a par lamp heat sink, as seen from the front, top, thereof;
 FIG. 2 is a rear perspective view as seen from the rear, side thereof;
 FIG. 3 is a side plan view thereof;
 FIG. 4 is a top plan view thereof; and
 FIG. 5 is a rear plan view thereof.
 FIG. 6 is a perspective view of a second embodiment the design for a par lamp heat sink, as seen from the front, top, thereof;
 FIG. 7 is a perspective view of the second embodiment as seen from the rear, side, thereof;
 FIG. 8 is a side plan view of the second embodiment;
 FIG. 9 is a top plan view of the second embodiment; and,
 FIG. 10 is a of the rear plan view of the second embodiment.
 The broken line disclosure is for environmental purposes only and does not form a part of the claimed design.

1 Claim, 10 Drawing Sheets



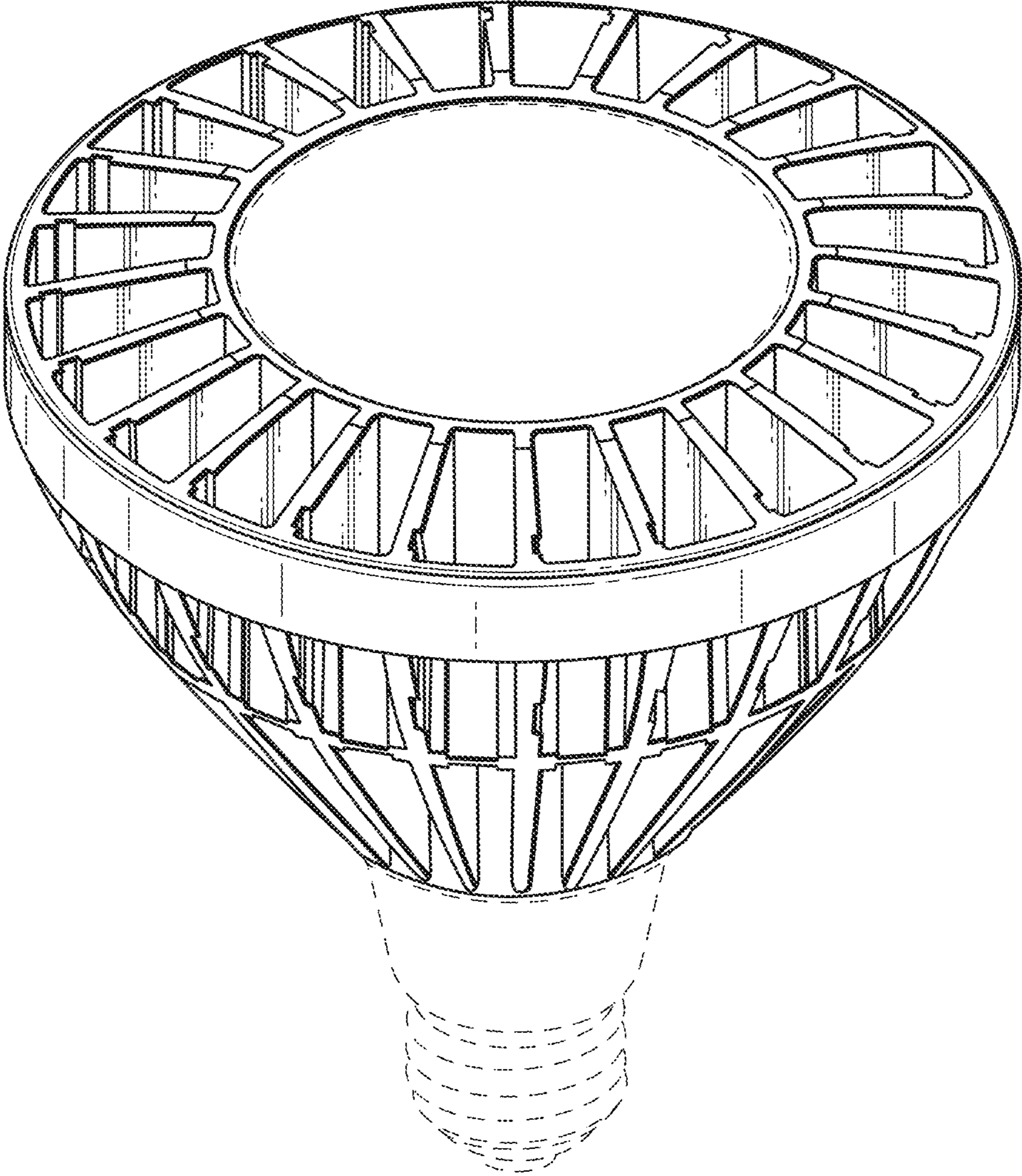


FIG. 1

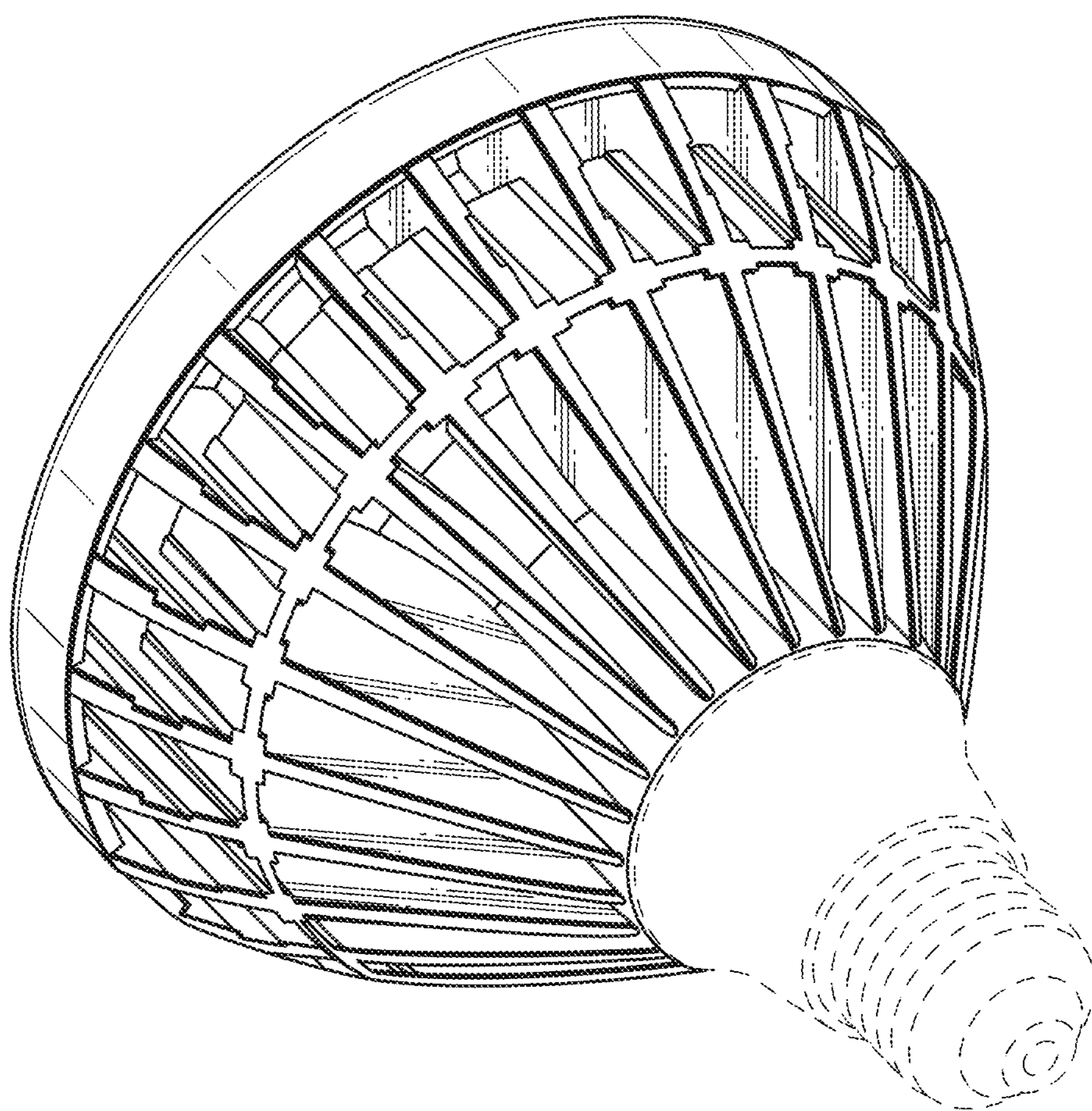


FIG. 2

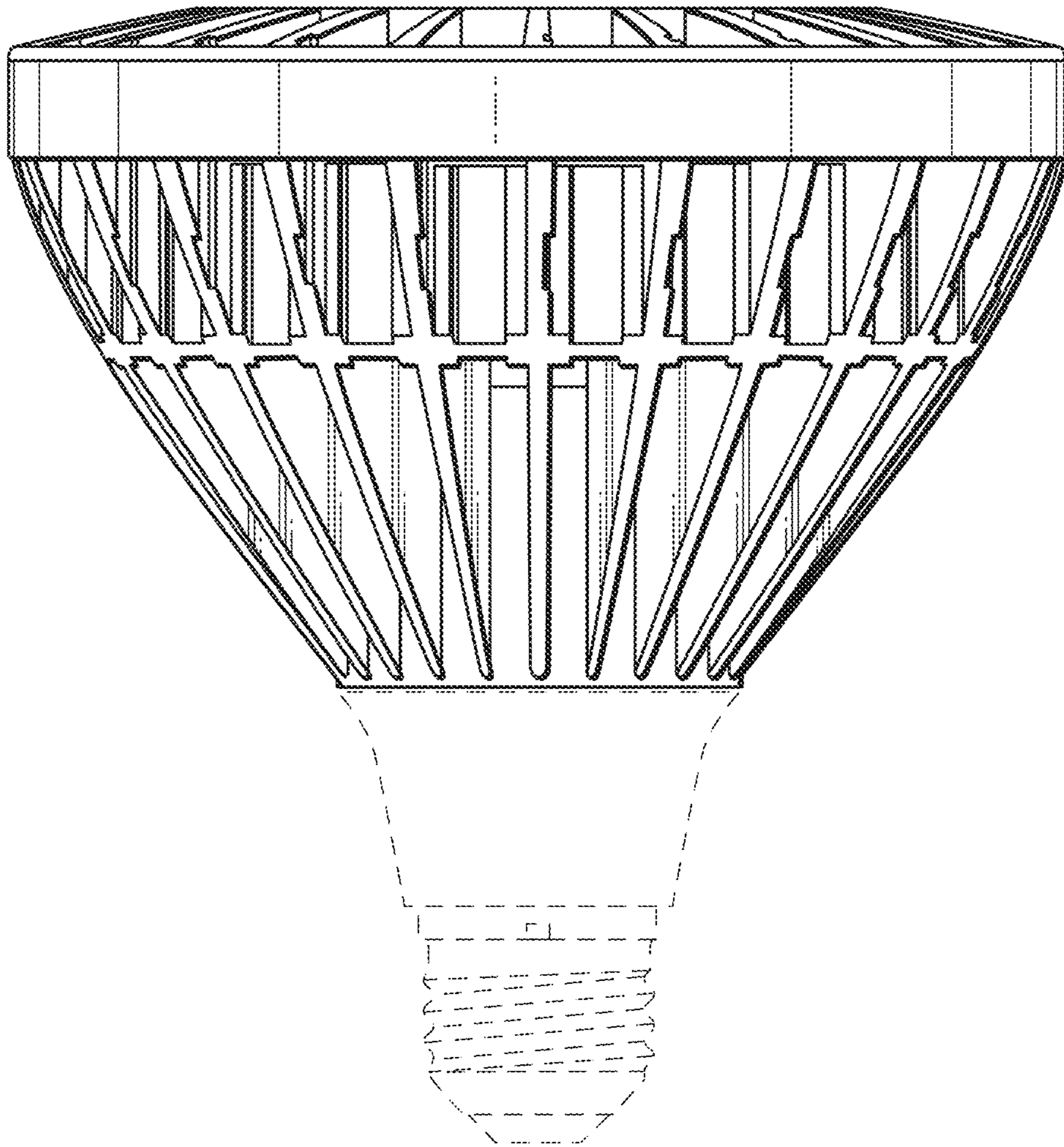


FIG. 3

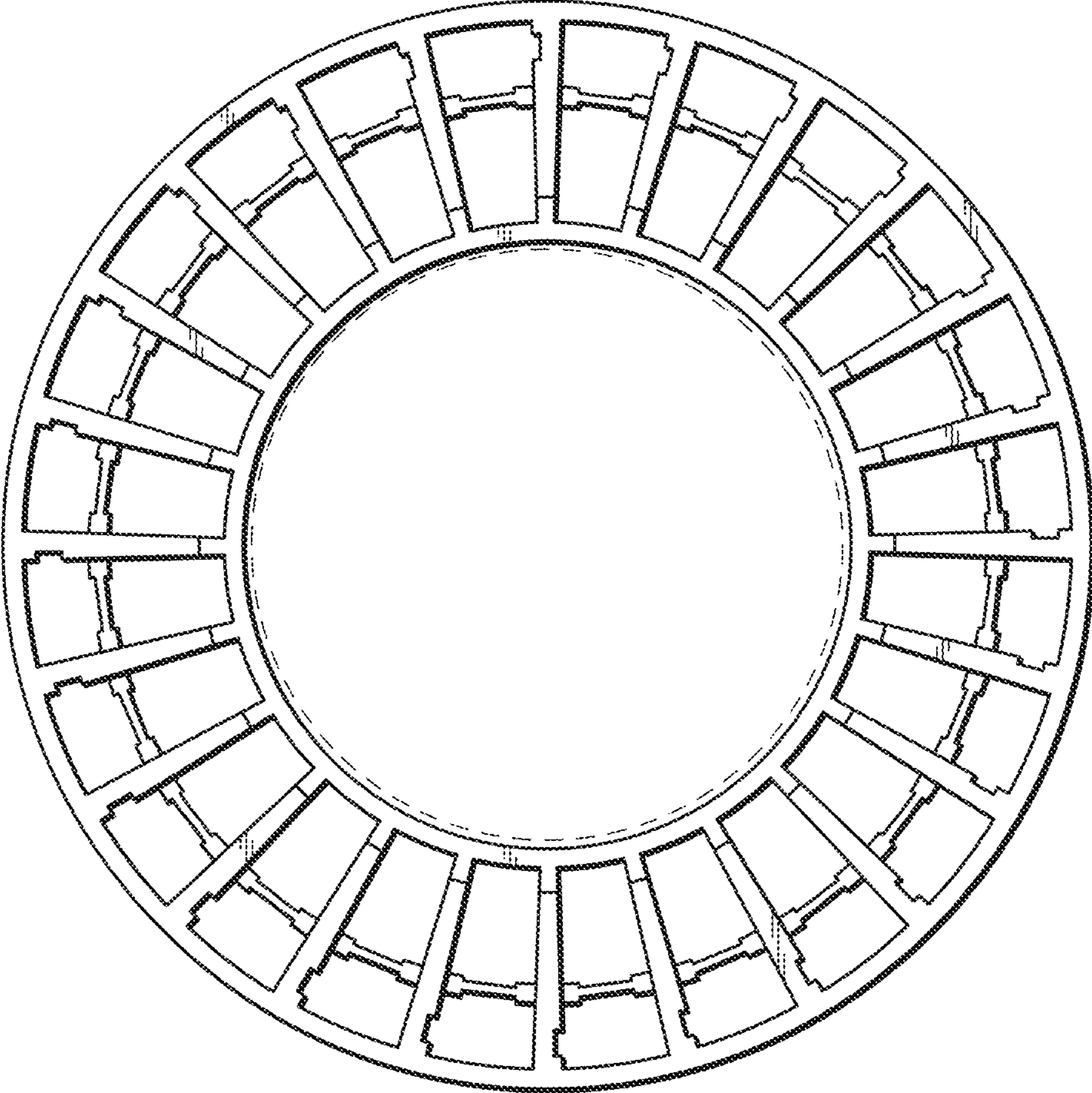


FIG. 4

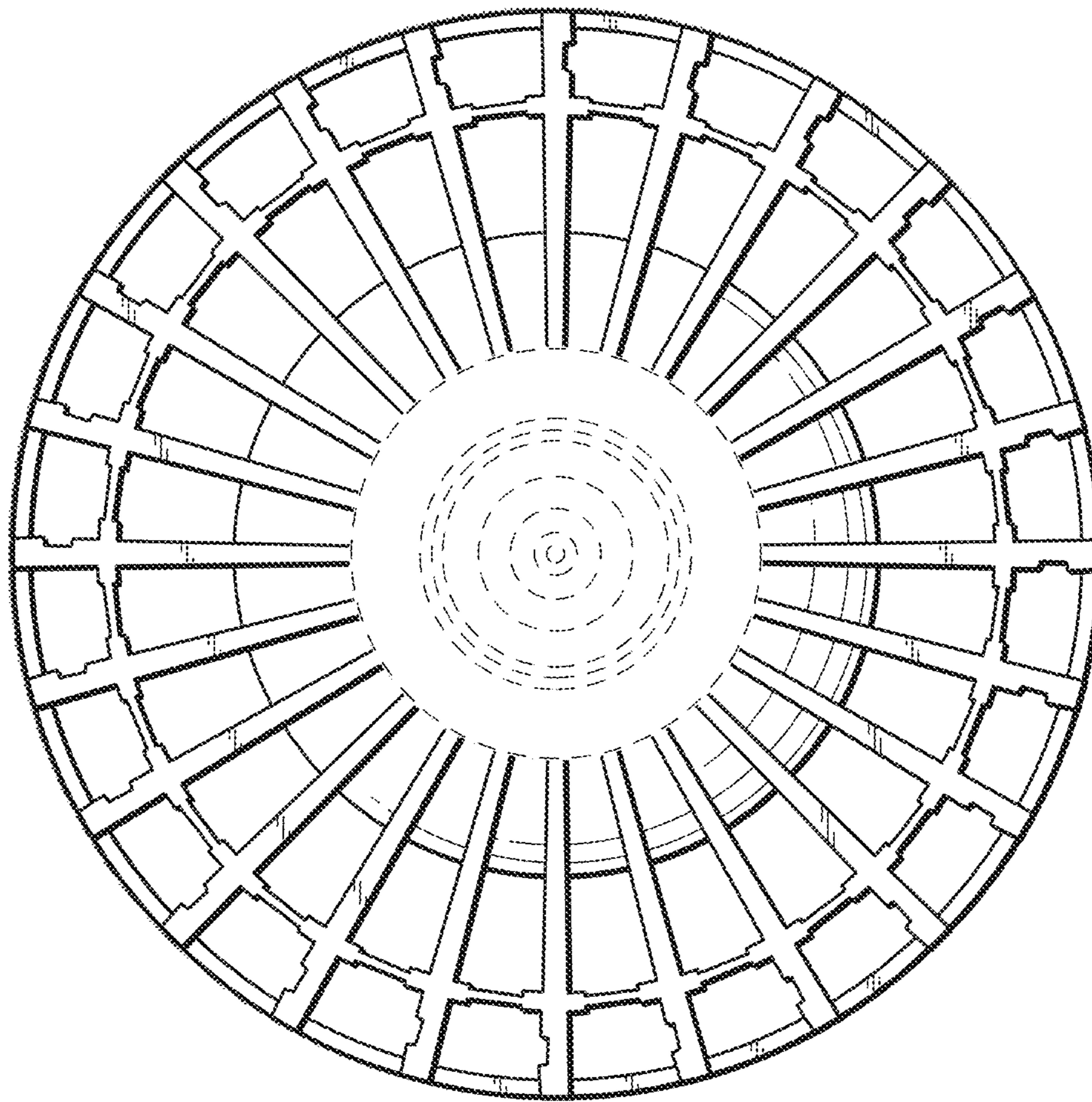


FIG. 5

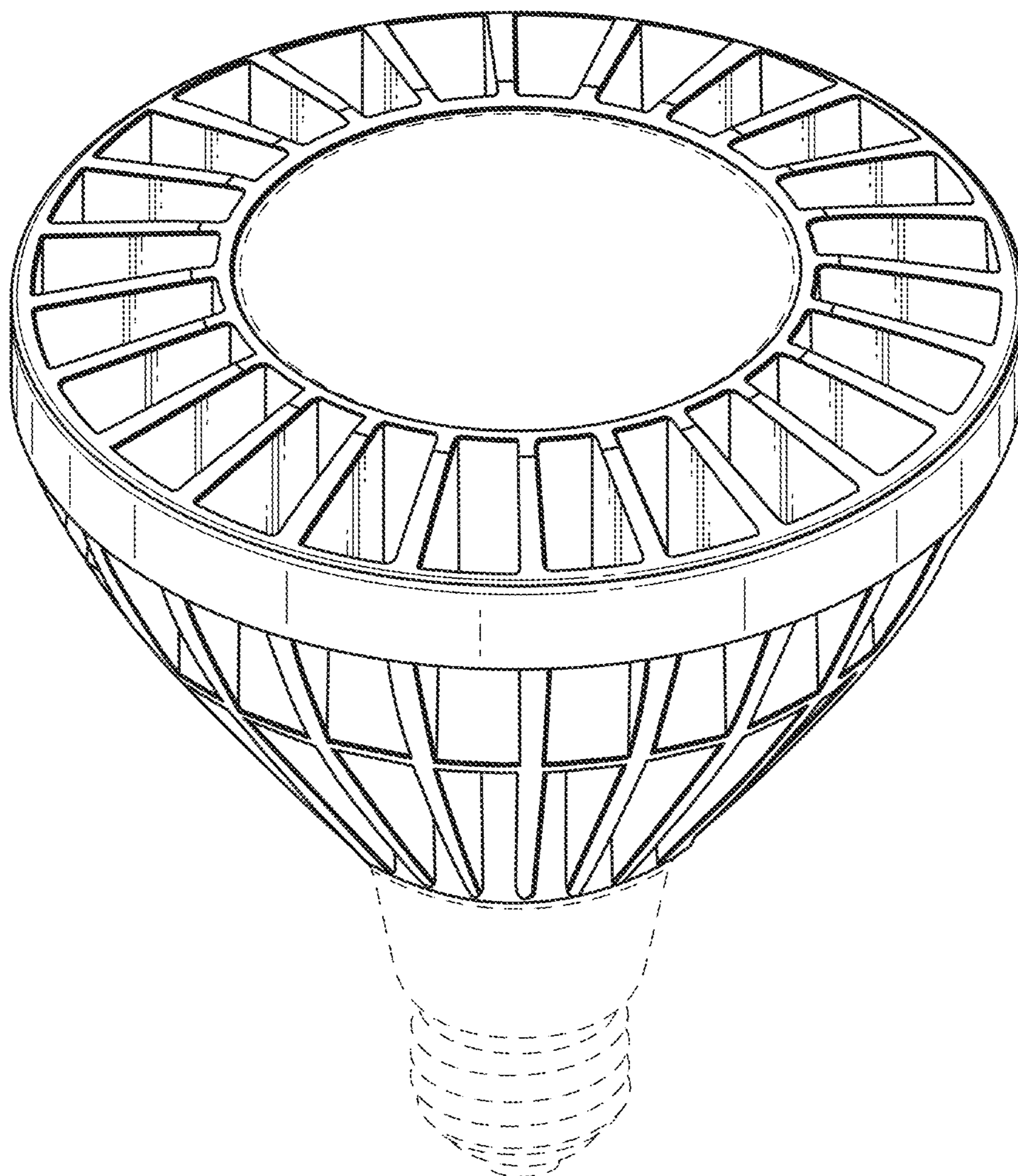


FIG. 6

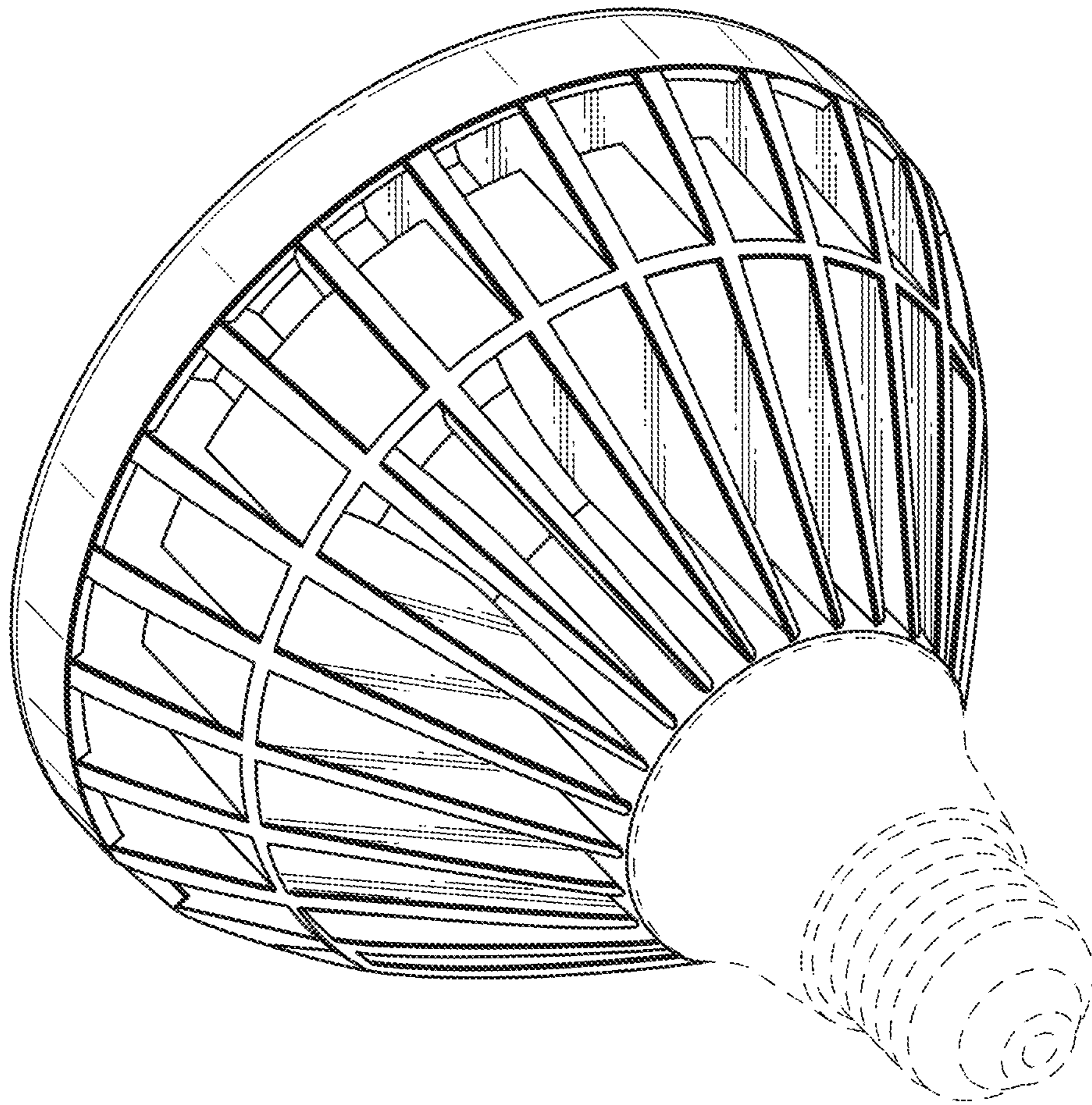


FIG. 7

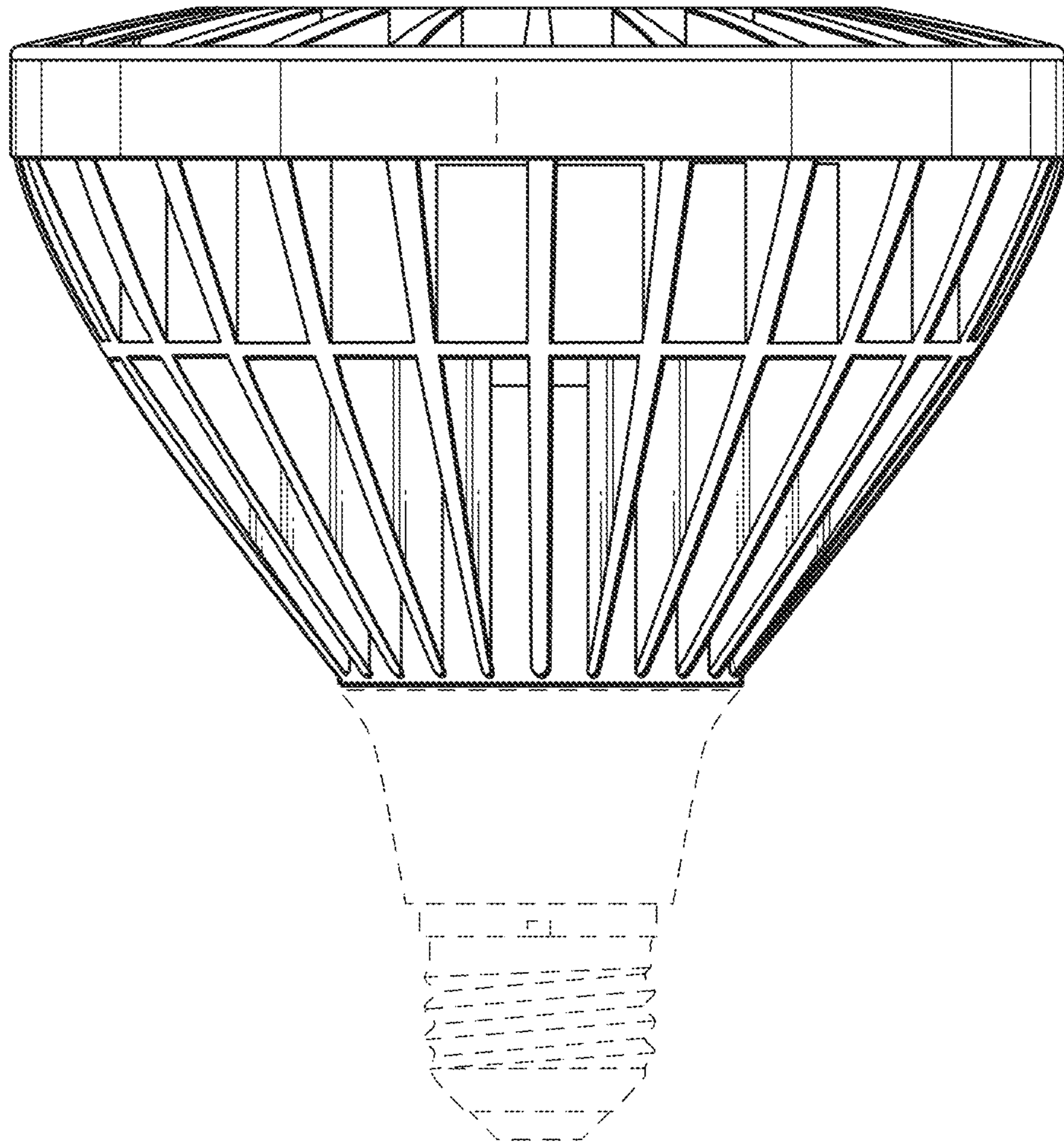


FIG. 8

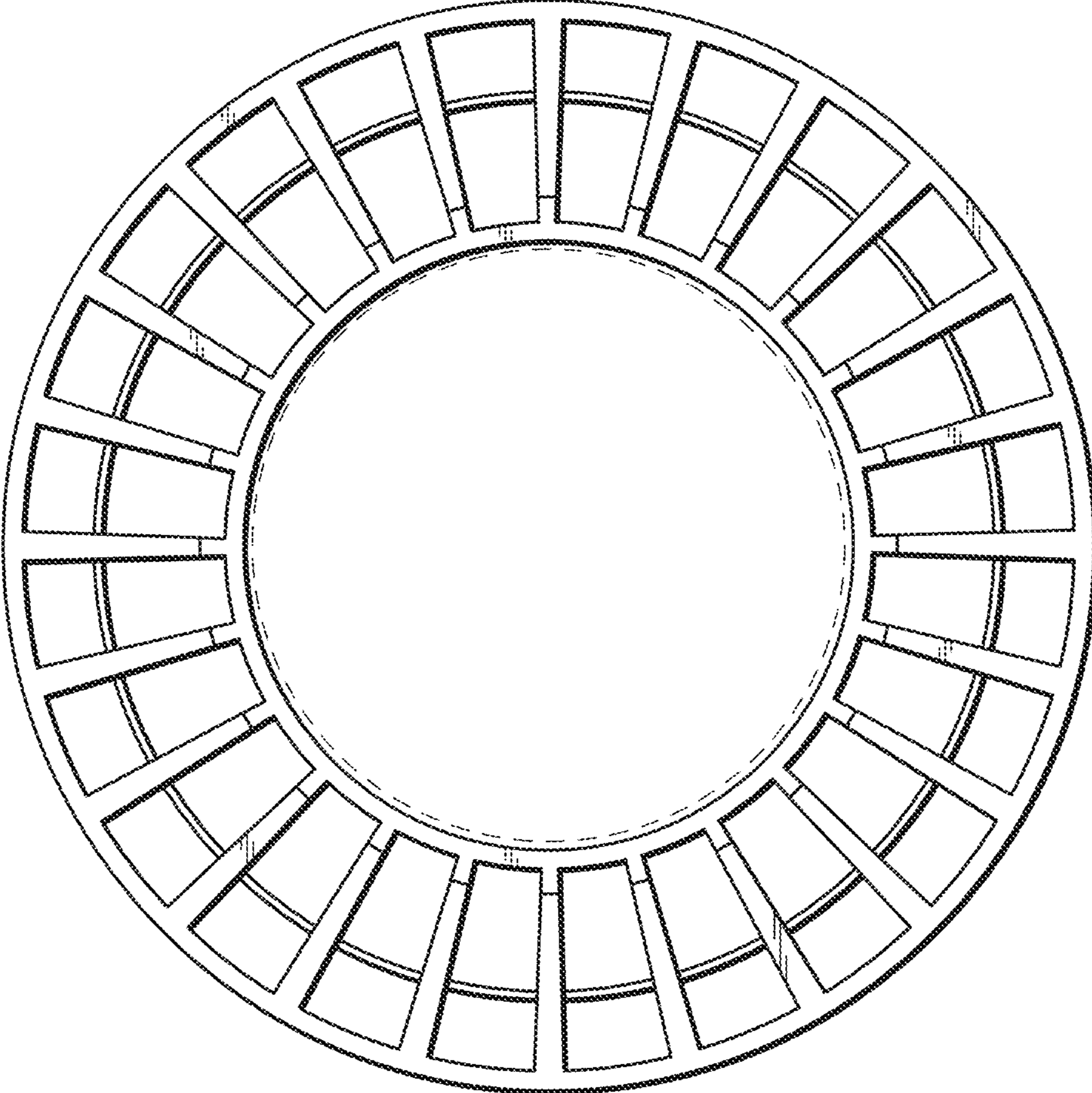


FIG. 9

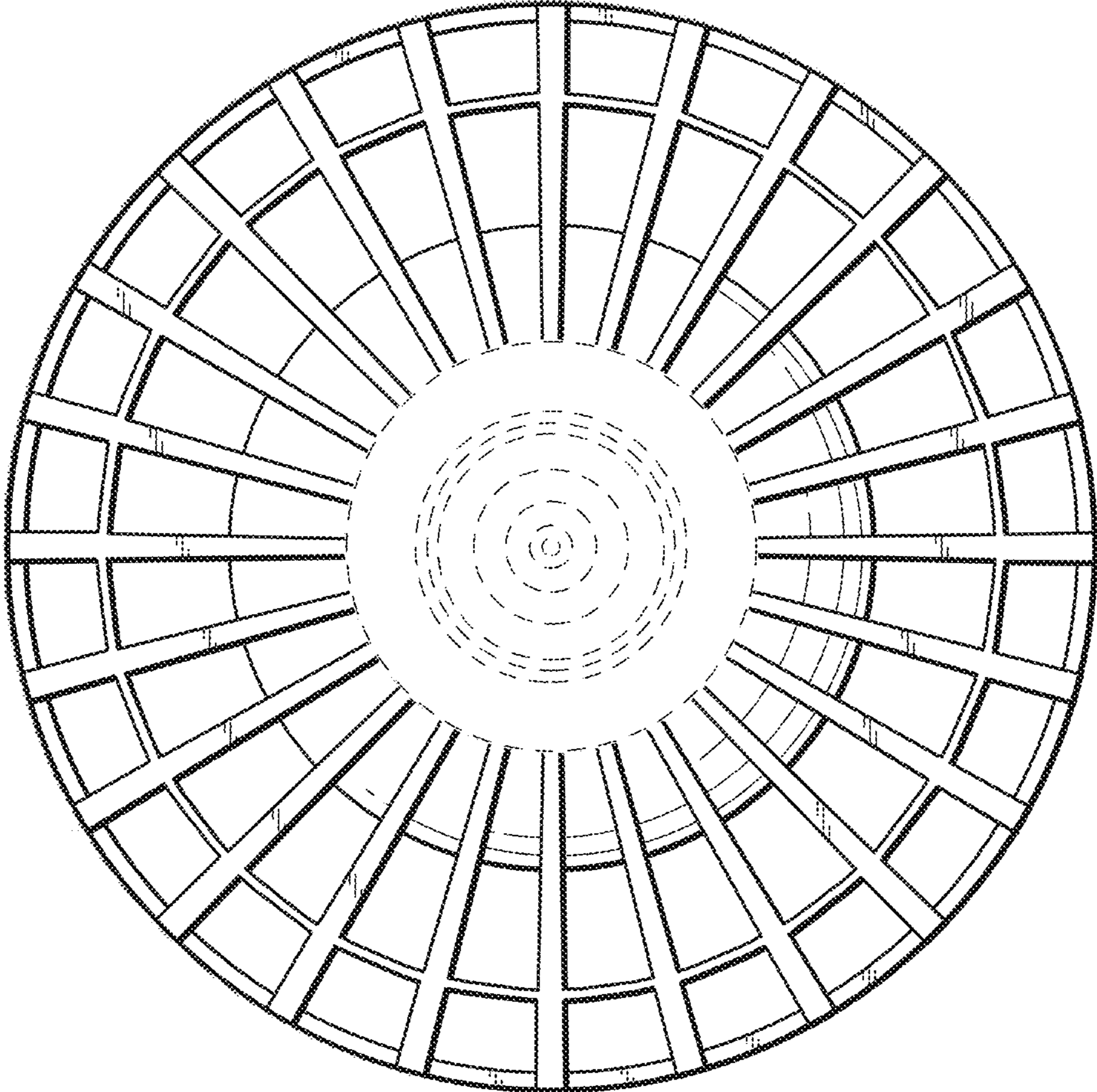


FIG. 10