



US00D683857S

(12) **United States Design Patent**
Arimitsu et al.

(10) **Patent No.:** **US D683,857 S**
(45) **Date of Patent:** **** Jun. 4, 2013**

(54) **DEFIBRILLATOR**

(75) Inventors: **Takaya Arimitsu**, Tokyo (JP); **Youhei Shimizu**, Tokyo (JP); **Haruo Fujimoto**, Tokyo (JP); **Shuko Kawamura**, Tokyo (JP)

(73) Assignee: **Nihon Kohden Corporation**, Tokyo (JP)

(**) **Term:** **14 Years**

(21) **Appl. No.:** **29/391,849**

(22) **Filed:** **May 13, 2011**

(30) **Foreign Application Priority Data**

Nov. 15, 2010 (JP) 2010-027458
Nov. 15, 2010 (JP) 2010-027459

(51) **LOC (9) Cl.** **24-01**

(52) **U.S. Cl.**
USPC **D24/167**

(58) **Field of Classification Search**
USPC .. D24/165–168, 107, 185, 186, 187; D10/46,
D10/78, 98; 600/356; 607/2, 4–9, 119, 142,
607/145; 439/909
See application file for complete search history.

(56) **References Cited**

U.S. PATENT DOCUMENTS

D393,072 S * 3/1998 Rogler D24/186
5,935,152 A * 8/1999 Merry et al. 607/5
D414,869 S 10/1999 Daynes et al.
D415,279 S * 10/1999 Daynes et al. D24/167
D455,492 S * 4/2002 Daynes et al. D24/167

6,714,817 B2 * 3/2004 Daynes et al. 607/5
D592,754 S * 5/2009 Koike et al. D24/186
7,603,173 B2 * 10/2009 Parascandola et al. 607/36
D621,511 S 8/2010 Lathrop et al.
D623,301 S 9/2010 Wung
D649,644 S * 11/2011 Chai D24/164
D658,296 S * 4/2012 Matheson D24/167

FOREIGN PATENT DOCUMENTS

JP 1000536 1/1998
NL 001650292-0001 12/2009

* cited by examiner

Primary Examiner — Anhdao Doan

(74) *Attorney, Agent, or Firm* — Osha Liang LLP

(57) **CLAIM**

The ornamental design for a defibrillator, as shown and described.

DESCRIPTION

FIG. 1 is a perspective view of the front, top, and right side of a defibrillator showing our new design;
FIG. 2 is a front view thereof;
FIG. 3 is a rear view thereof;
FIG. 4 is a top plan view thereof;
FIG. 5 is a bottom view thereof;
FIG. 6 is a left side view thereof; and,
FIG. 7 is a right side view thereof.
The broken lines in the Figure views are included for the purpose of illustrating portions of the defibrillator that form no part of the claimed design.

1 Claim, 5 Drawing Sheets

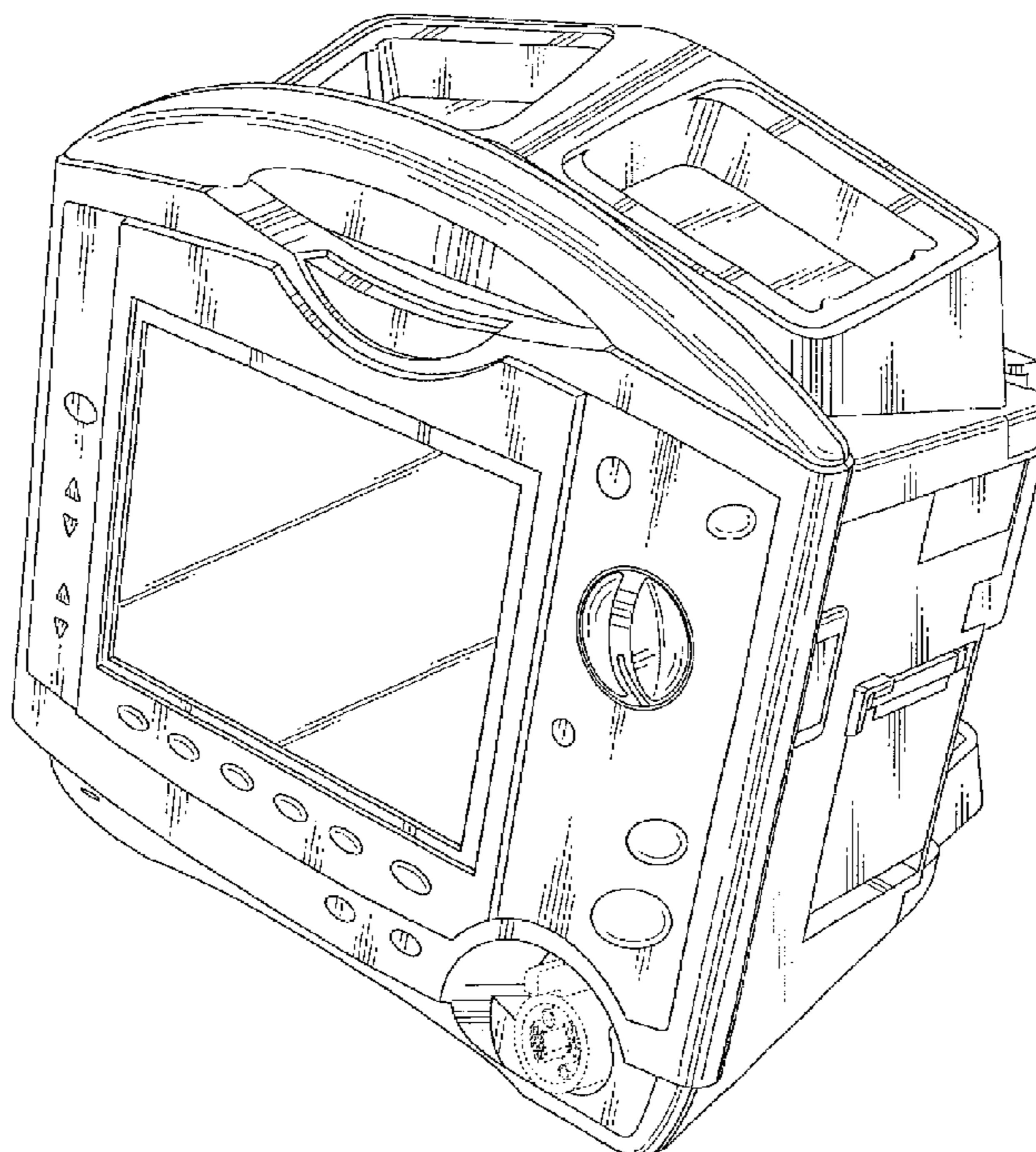


Fig. 1

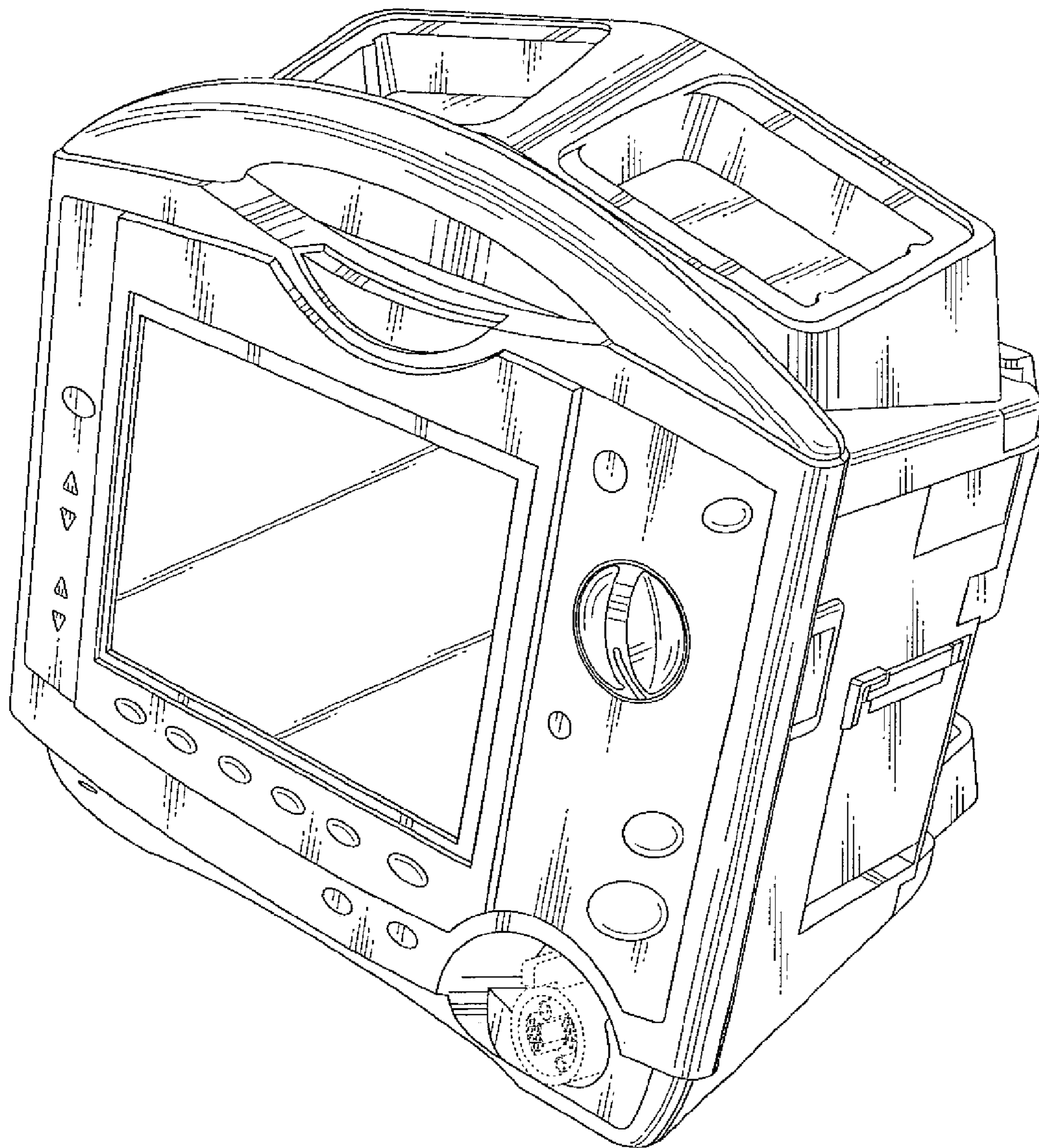


Fig. 2

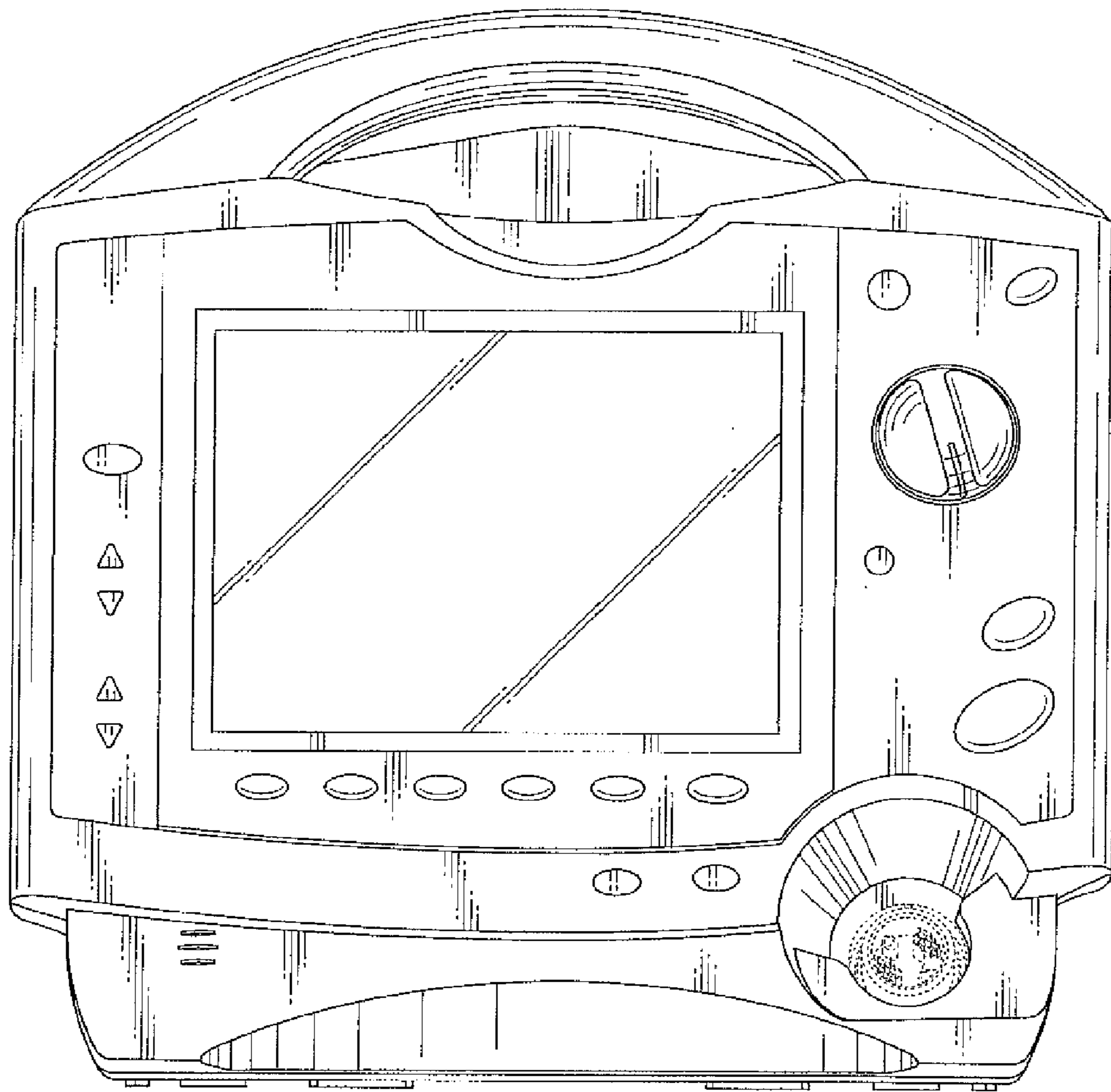


Fig. 3

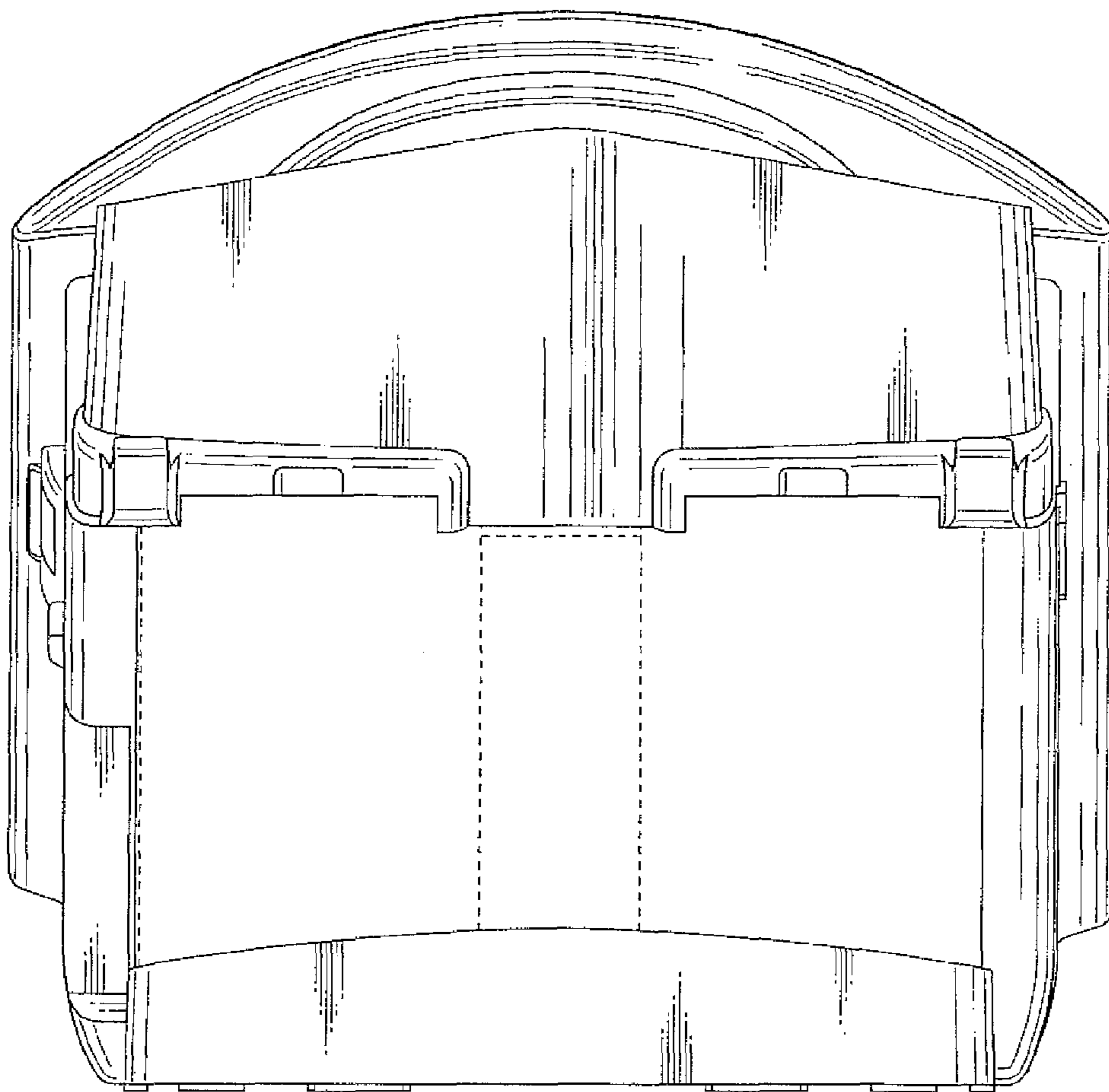


Fig. 4

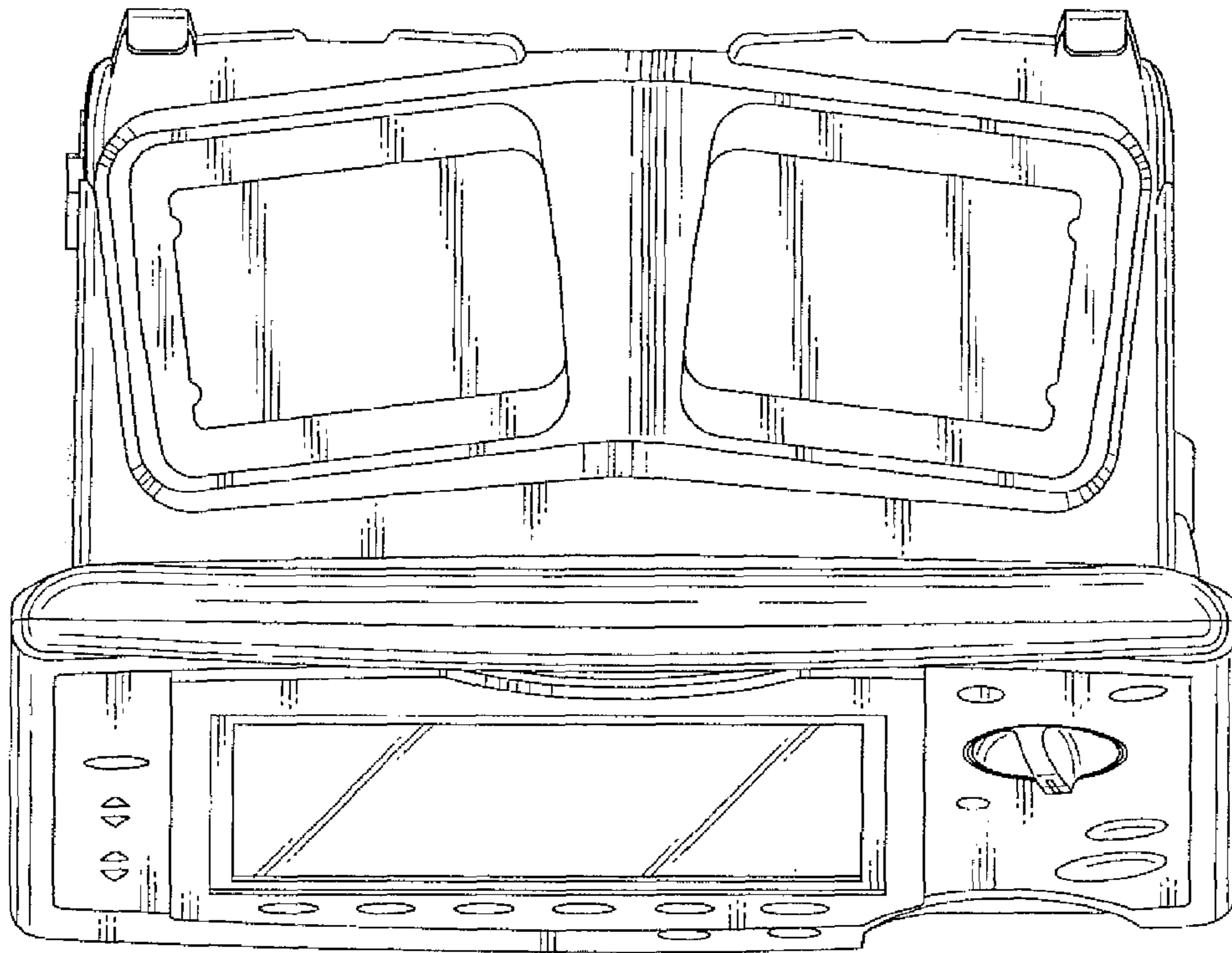


Fig. 5

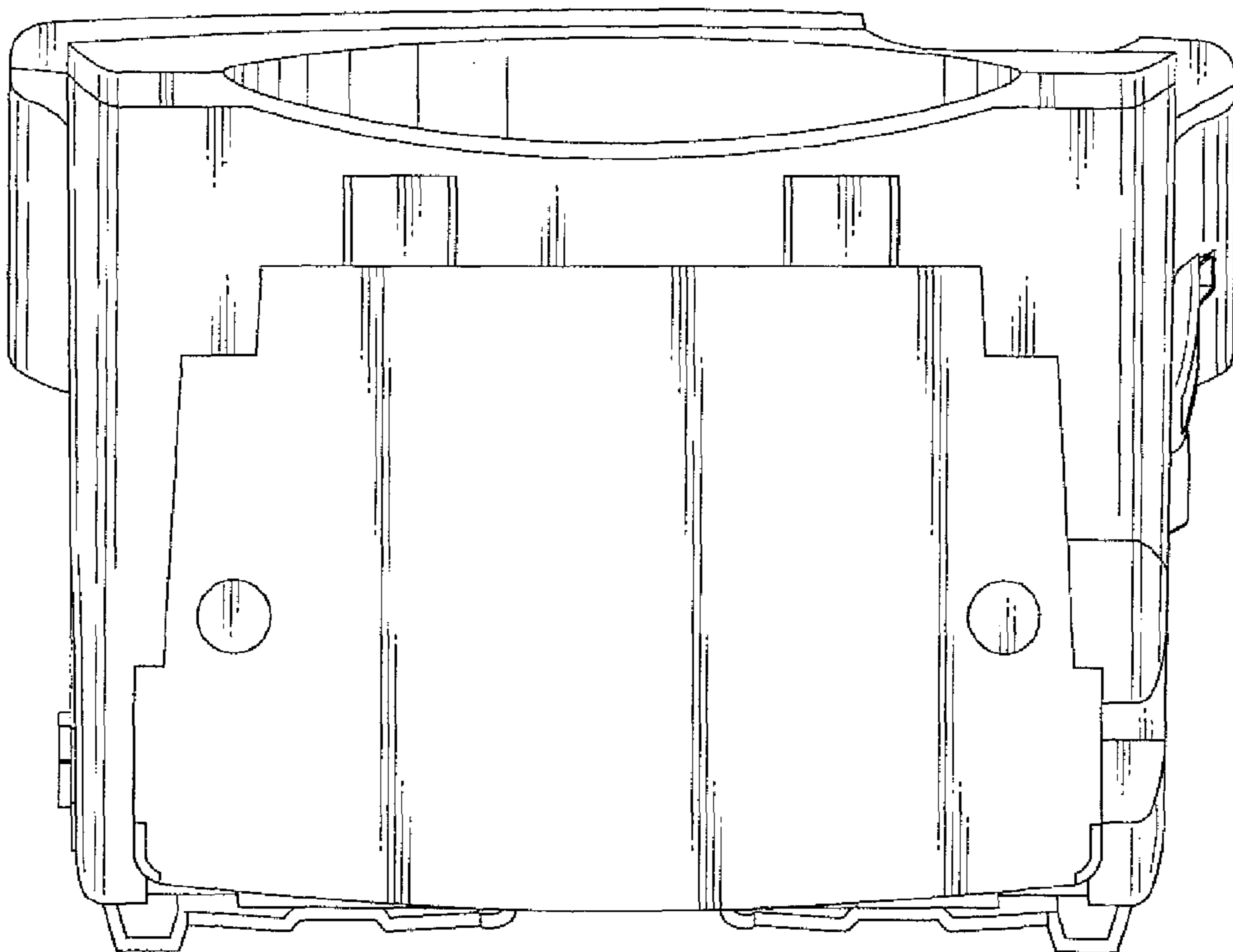


Fig. 7

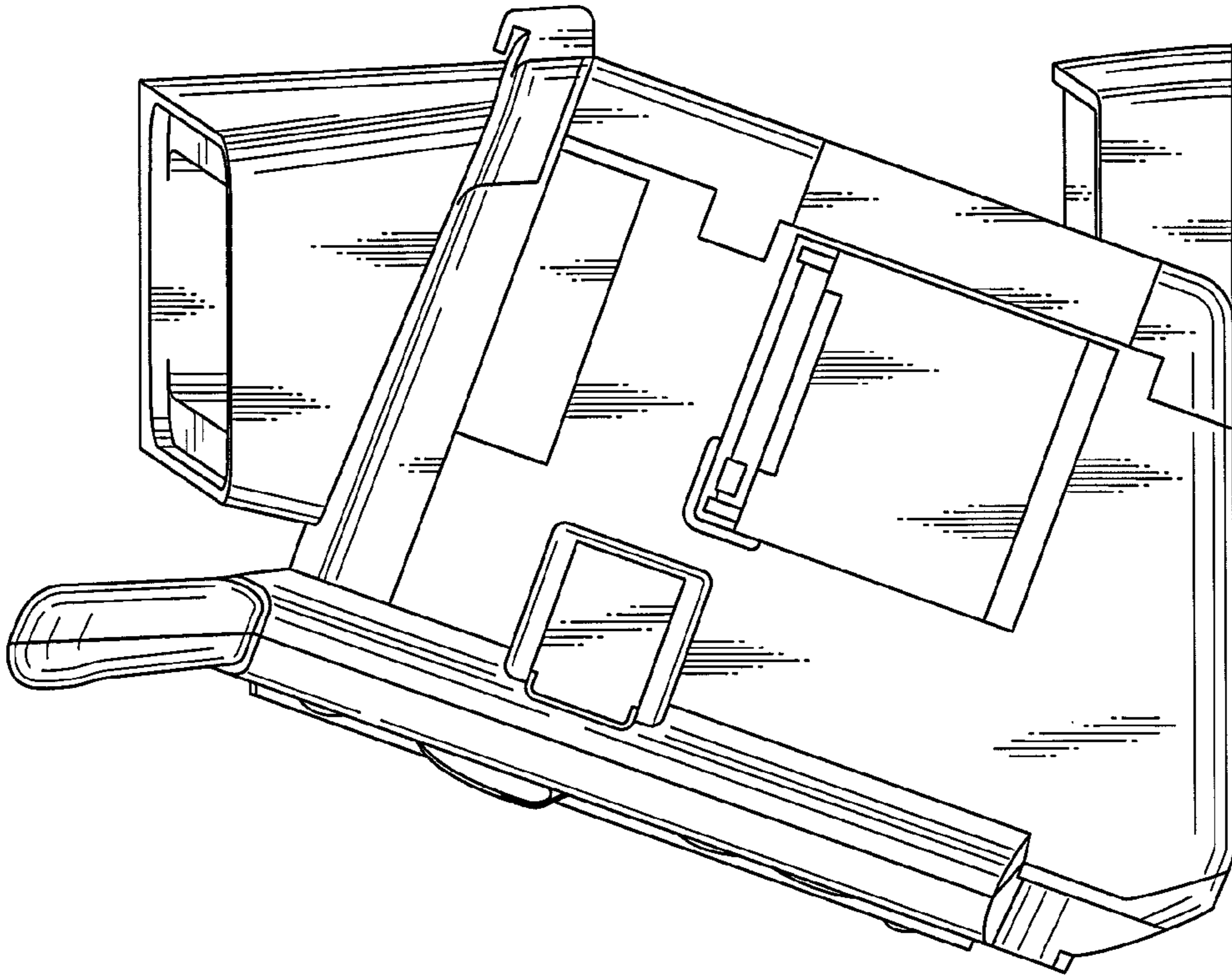


Fig. 6

