



US00D683856S

(12) **United States Design Patent**
Chin et al.

(10) **Patent No.:** **US D683,856 S**

(45) **Date of Patent:** **** Jun. 4, 2013**

(54) **INTERVERTEBRAL IMPLANT**

(56) **References Cited**

(75) Inventors: **Kingsley R. Chin**, Wilton Manors, FL (US); **Vito Lore**, Somerville, MA (US); **Michael Drnek**, Boston, MA (US); **Christopher A Chang**, Beverly, MA (US)

U.S. PATENT DOCUMENTS

D533,277	S	*	12/2006	Blain	D24/155
D553,744	S	*	10/2007	Park	D24/155
D616,546	S	*	5/2010	Vraney et al.	D24/155
D620,110	S	*	7/2010	Courtney et al.	D24/155
D620,113	S	*	7/2010	Courtney et al.	D24/155
D620,114	S	*	7/2010	Pannu	D24/155
D627,467	S	*	11/2010	Pannu	D24/155
D627,468	S	*	11/2010	Richter et al.	D24/155
D629,108	S	*	12/2010	Richter et al.	D24/155
D650,481	S	*	12/2011	Gottlieb et al.	D24/155

(73) Assignee: **Spinefrontier Inc**, Beverly, MA (US)

(**) **Term:** **14 Years**

* cited by examiner

(21) Appl. No.: **29/403,576**

(22) Filed: **Oct. 7, 2011**

Primary Examiner — Ian Simmons

Assistant Examiner — Charles Hanson

(74) *Attorney, Agent, or Firm* — AKC Patents LLC; Aliko K. Collins

Related U.S. Application Data

(63) Continuation of application No. 12/913,004, filed on Oct. 27, 2010.

(51) **LOC (9) Cl.** **24-02**

(52) **U.S. Cl.**
USPC **D24/155**

(58) **Field of Classification Search**
USPC D24/155, 156, 133, 152, 154, 135, D24/141, 144-146, 151; 606/194, 198; 623/23.54, 23.7, 1.11, 1.15, 1.16, 903, 1.29, 623/3.26, 3.14; 604/1.02, 103.02; 128/204.18; 600/16, 17; 417/410.1, 423.12, 423.7

See application file for complete search history.

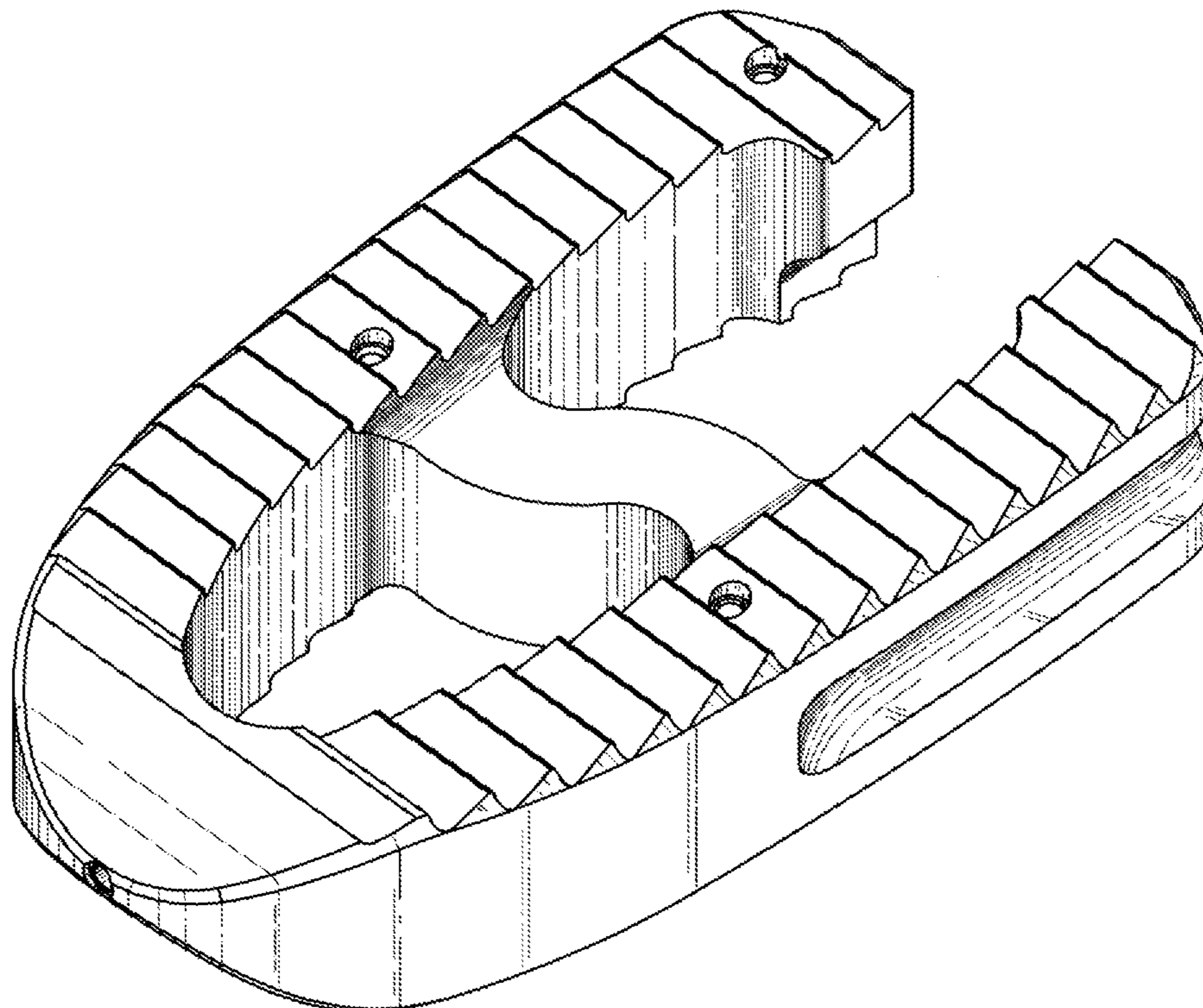
(57) **CLAIM**

The ornamental design for an intervertebral implant, as shown and described.

DESCRIPTION

FIG. 1 is a top perspective view of the intervertebral implant; FIG. 2 is a bottom perspective view thereof; FIG. 3 is a side view thereof; FIG. 4 is a top elevational view of the intervertebral implant; and, FIG. 5 is a back elevational view thereof.

1 Claim, 4 Drawing Sheets



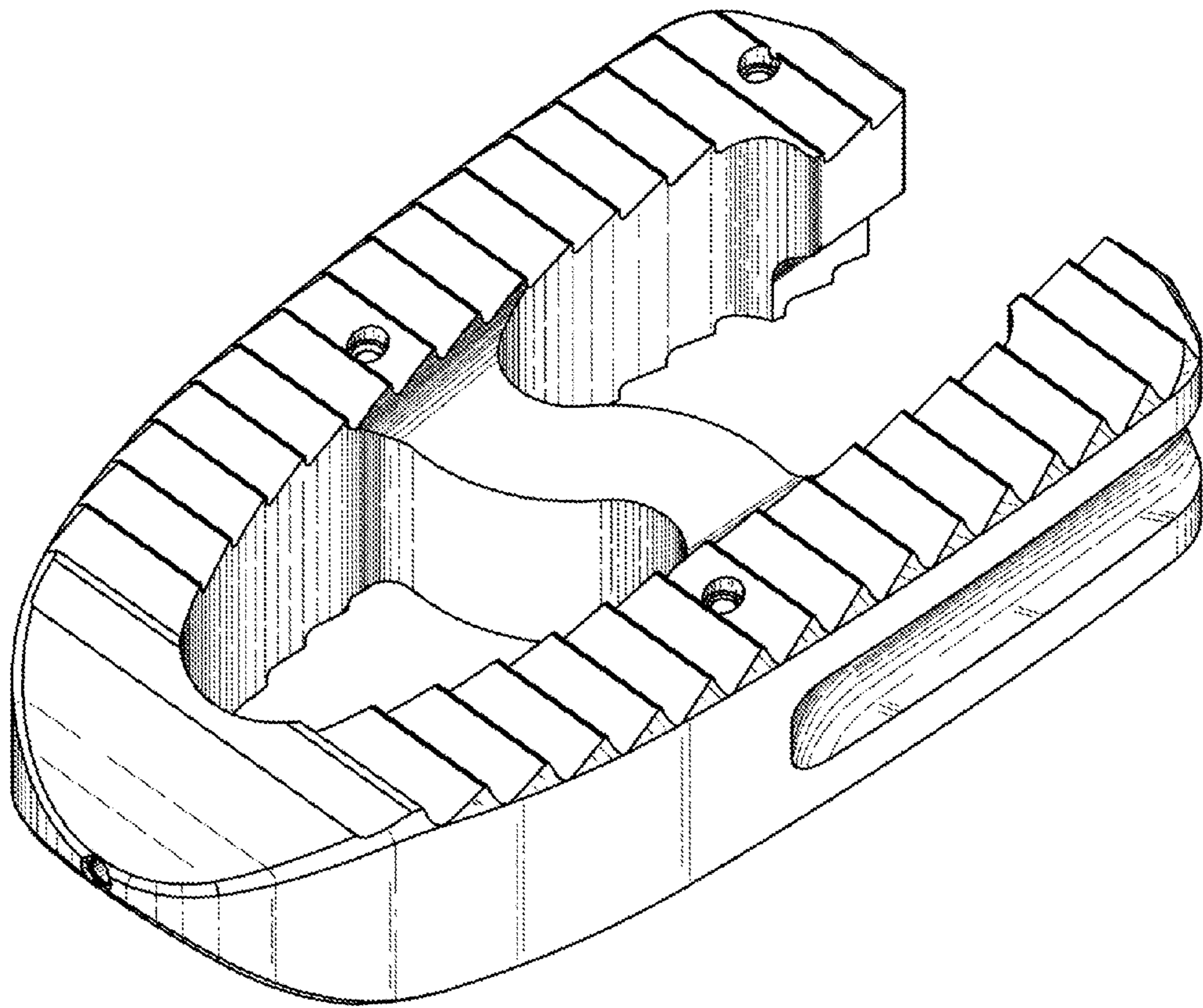


FIG. 1

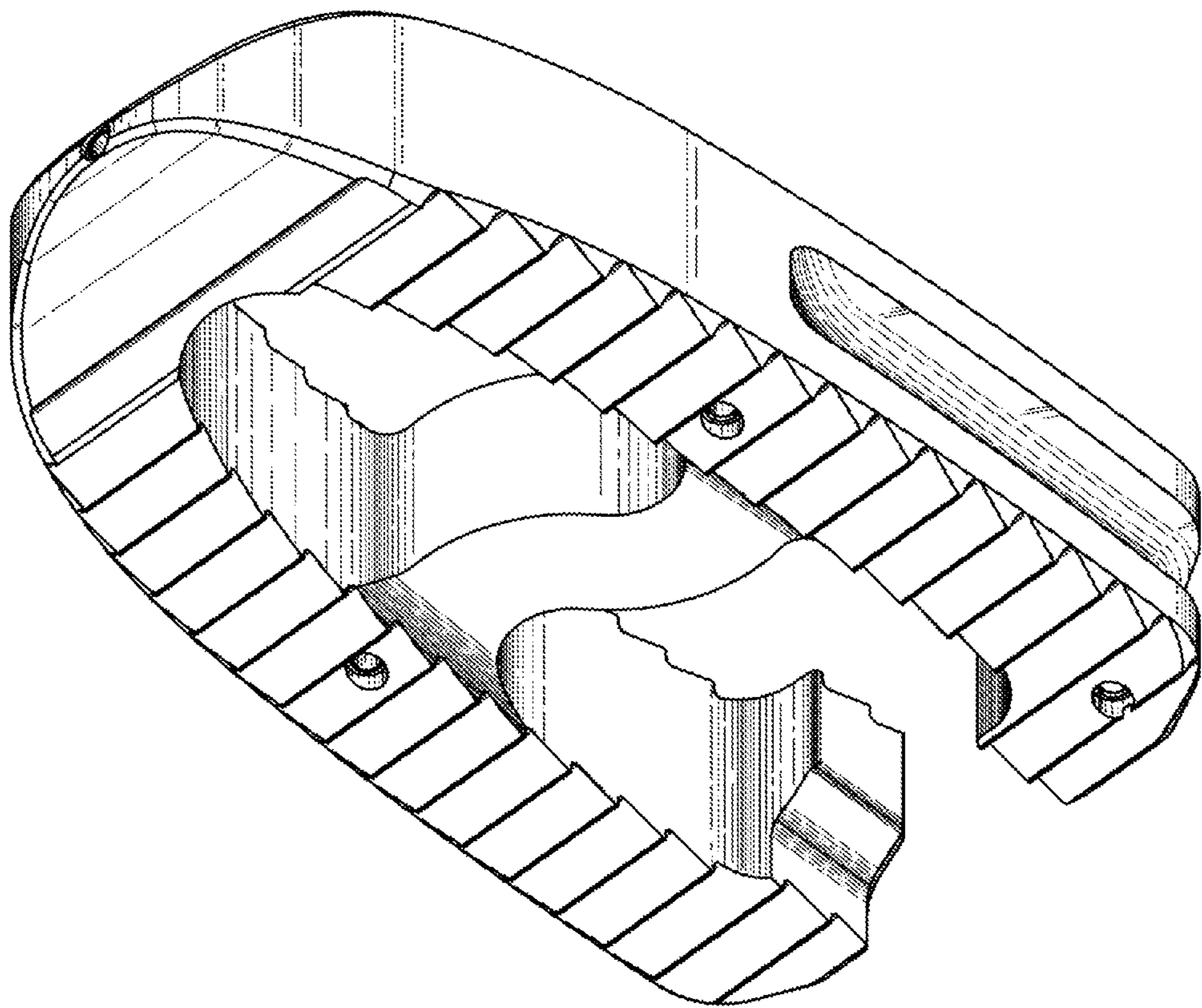


FIG. 2

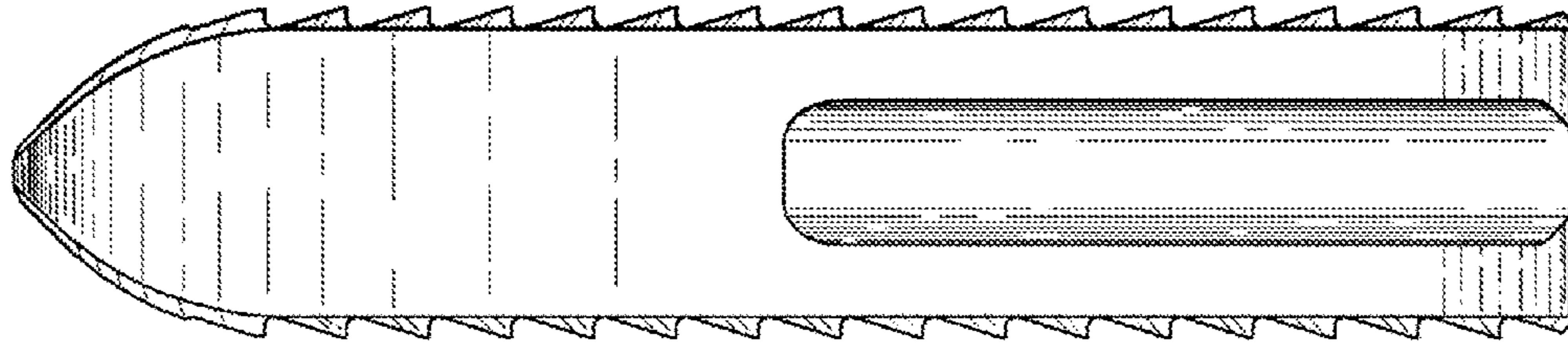


FIG. 3



FIG. 4

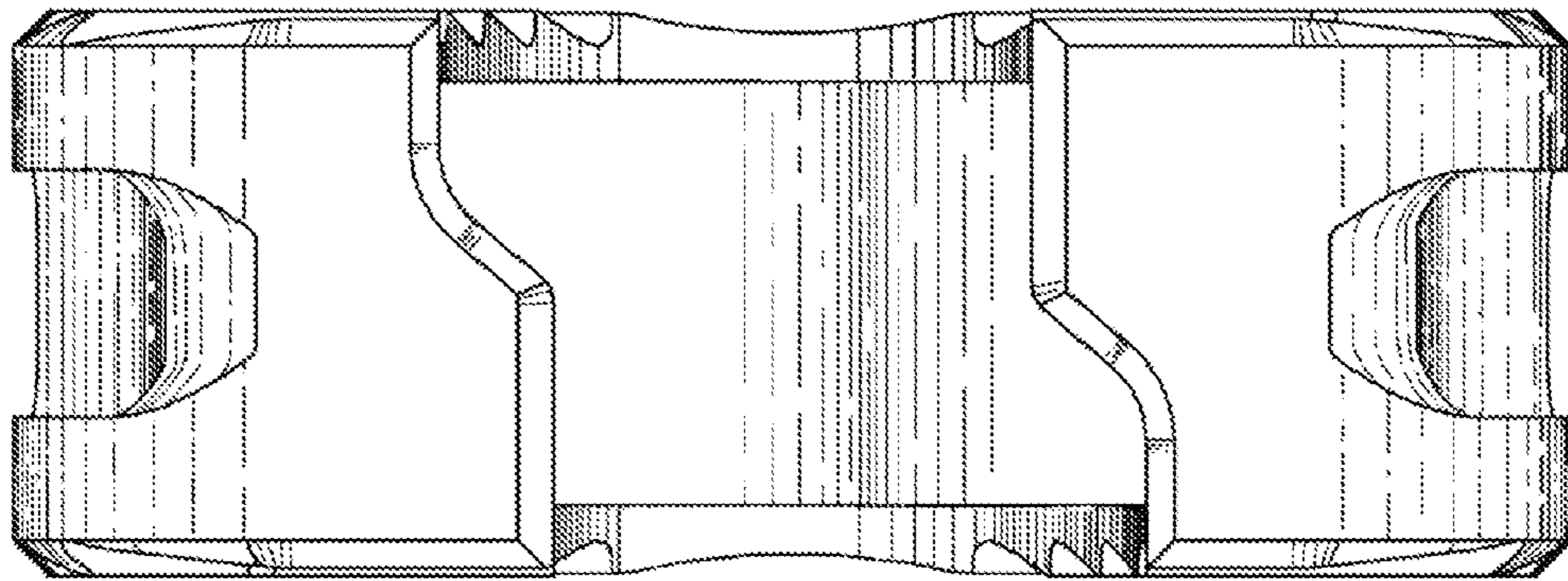


FIG. 5