



US00D683852S

(12) **United States Design Patent**
Gonzales et al.

(10) **Patent No.:** **US D683,852 S**
(45) **Date of Patent:** **** Jun. 4, 2013**

(54) **INSERTION DEVICE**

(75) Inventors: **Donald A. Gonzales**, San Antonio, TX (US); **Fred B. Dinger, III**, San Antonio, TX (US); **Jeffrey S. Wrana**, San Antonio, TX (US)

(73) Assignee: **Entrigue Surgical, Inc.**, San Antonio, TX (US)

(**) **Term:** **14 Years**

(21) **Appl. No.:** **29/394,983**

(22) **Filed:** **Jun. 23, 2011**

Related U.S. Application Data

(62) Division of application No. 29/363,134, filed on Jun. 4, 2010, now Pat. No. Des. 643,115.

(51) **LOC (9) Cl.** **24-02**

(52) **U.S. Cl.**
USPC **D24/133**

(58) **Field of Classification Search**
USPC D24/133, 143, 145, 146; 606/83, 606/99; 600/114
See application file for complete search history.

(56) **References Cited**

U.S. PATENT DOCUMENTS

3,608,544	A	9/1971	Schnepper	600/564
D343,000	S	1/1994	Olson	D24/145
5,582,618	A *	12/1996	Chin et al.	606/170
D379,228	S	5/1997	Rahimzadeh et al.	D24/145
5,792,149	A	8/1998	Sherts et al.	606/142
D404,484	S	1/1999	Lahr et al.	D24/133
D460,553	S	7/2002	Koros et al.	D24/147
6,500,189	B1	12/2002	Lang et al.	606/170
6,575,978	B2	6/2003	Peterson et al.	606/83
D613,407	S	4/2010	Baynham	D24/146
D621,931	S	8/2010	Storz	D24/133

D631,155	S *	1/2011	Peine et al.	D24/133
D635,671	S *	4/2011	Way et al.	D24/147
D636,872	S *	4/2011	Marescaux et al.	D24/133
D643,115	S *	8/2011	Gonzales et al.	D24/133
D651,311	S *	12/2011	Triplett	D24/133
D653,338	S *	1/2012	Mangeshikar	D24/133
D658,759	S *	5/2012	Marescaux et al.	D24/133
D660,422	S *	5/2012	Hermle	D24/133
8,303,630	B2 *	11/2012	Abdou	606/249
2002/0153008	A1	10/2002	Schwartz et al.	128/200.26
2004/0254575	A1	12/2004	Obenchain et al.	606/86 A
2009/0248077	A1	10/2009	Johns	606/246

OTHER PUBLICATIONS

Office Communication issued in Canadian Patent Application No. 138202, dated Dec. 21, 2010.

Office Communication issued in U.S. Appl. No. 29/363,134, dated Jan. 18, 2011.

* cited by examiner

Primary Examiner — Bridget L Eland

(74) *Attorney, Agent, or Firm* — Fulbright & Jaworski L.L.P.

(57) **CLAIM**

The ornamental design for an insertion device, as shown and described.

DESCRIPTION

FIG. 1 is a front perspective view an insertion device showing our design;

FIG. 2 is a back perspective view thereof;

FIG. 3 is a back view thereof;

FIG. 4 is a front view thereof;

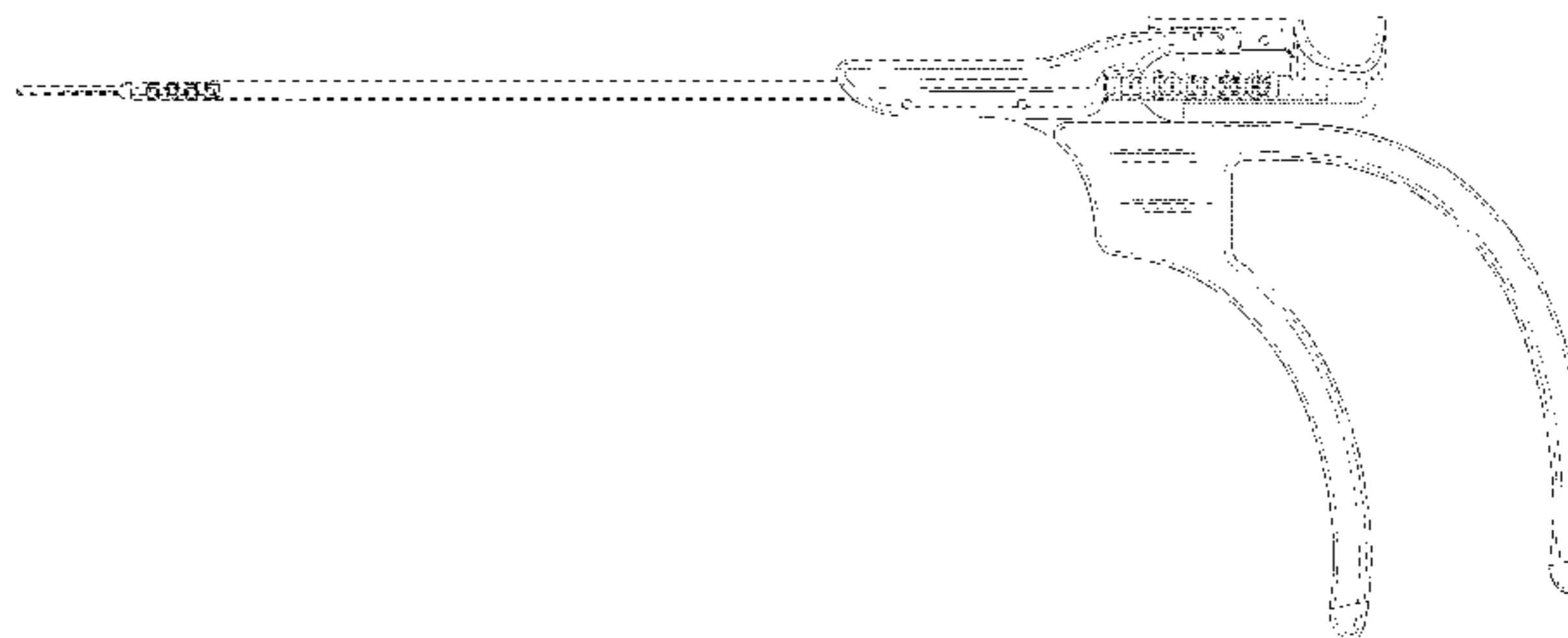
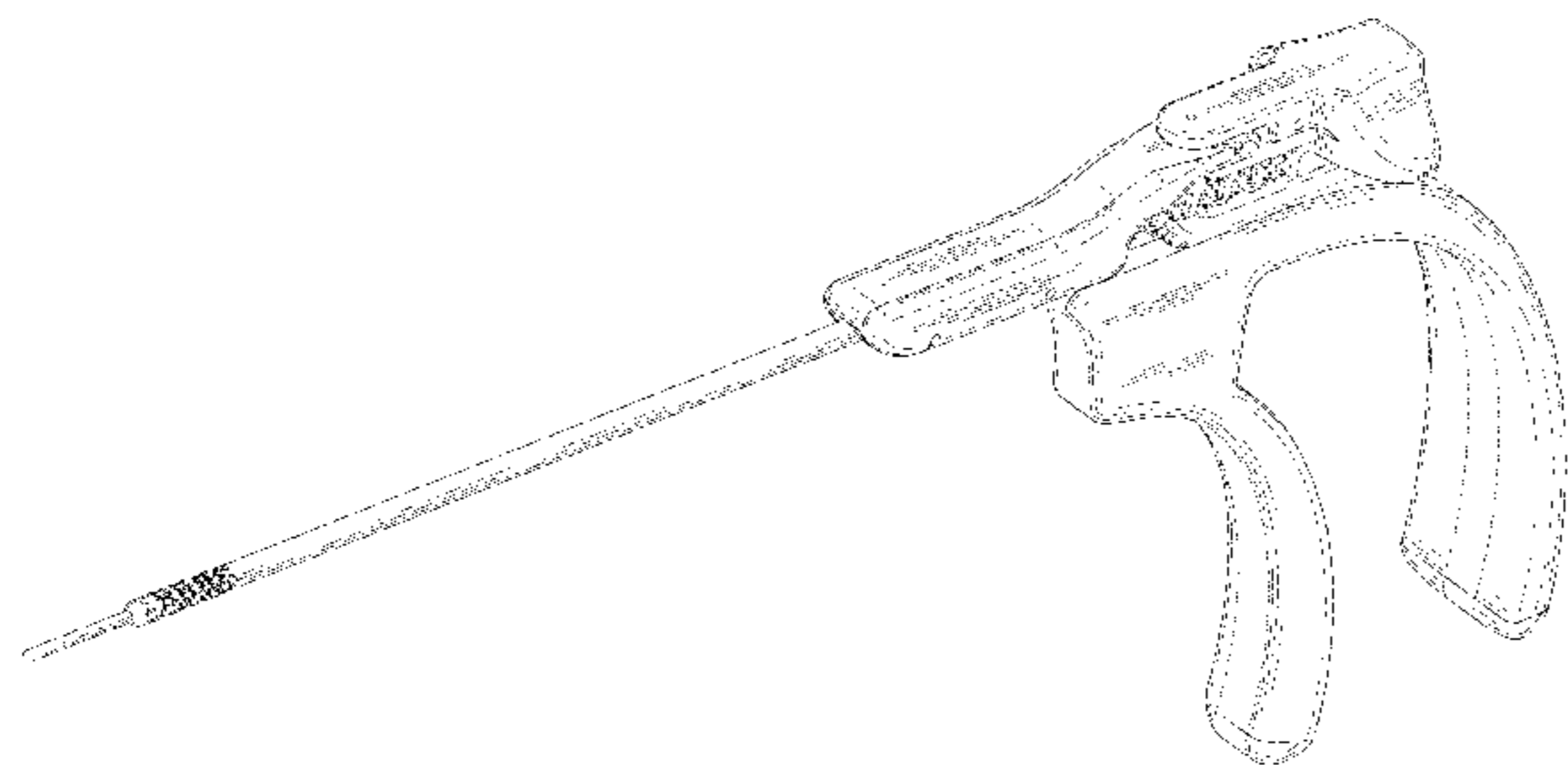
FIG. 5 is a left side view thereof;

FIG. 6 is a top view thereof; and,

FIG. 7 is a bottom view thereof.

The dashed lines in FIGS. 1-5 represent environmental structure and form no part of the claimed design.

1 Claim, 5 Drawing Sheets



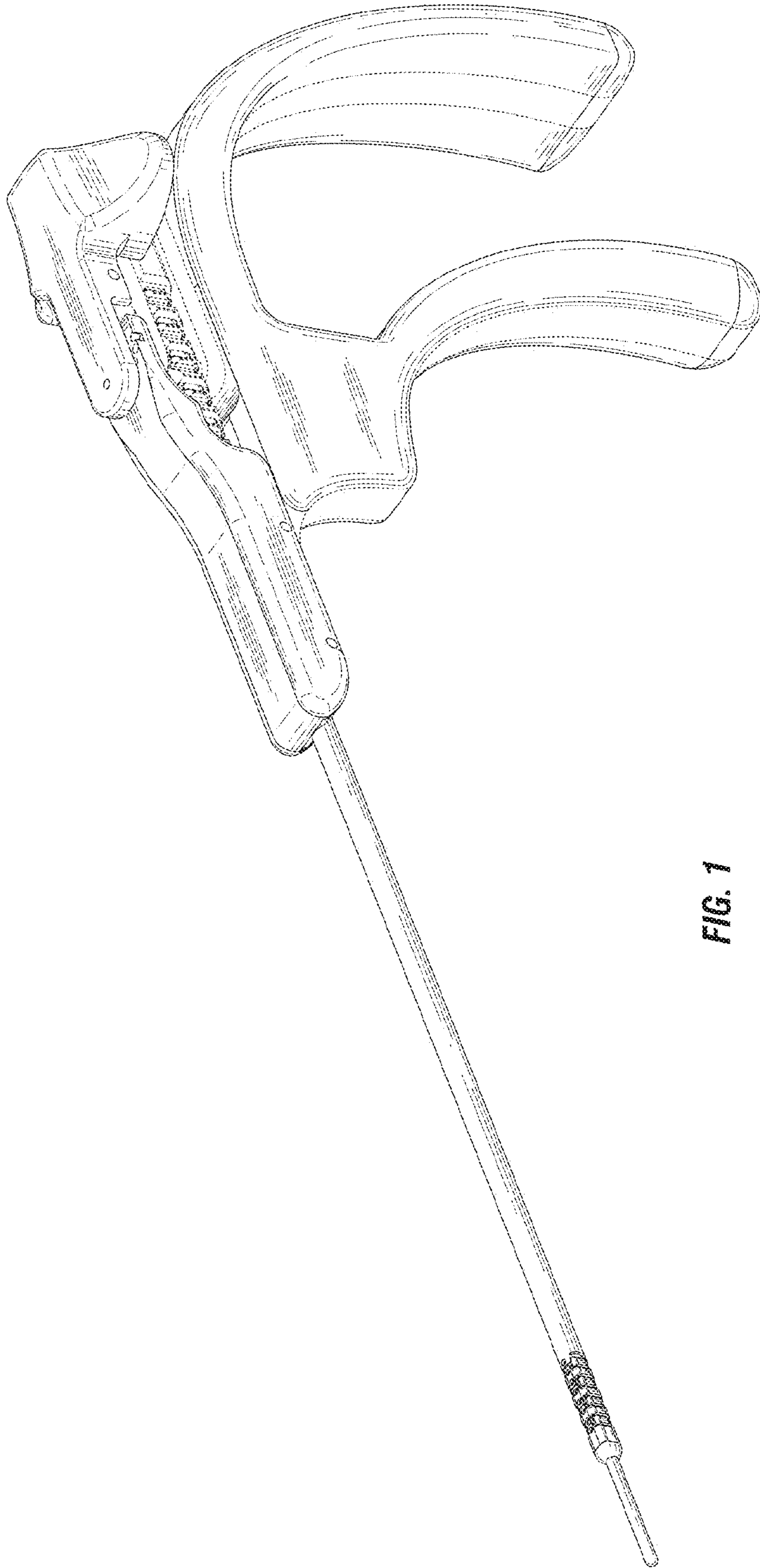


FIG. 1

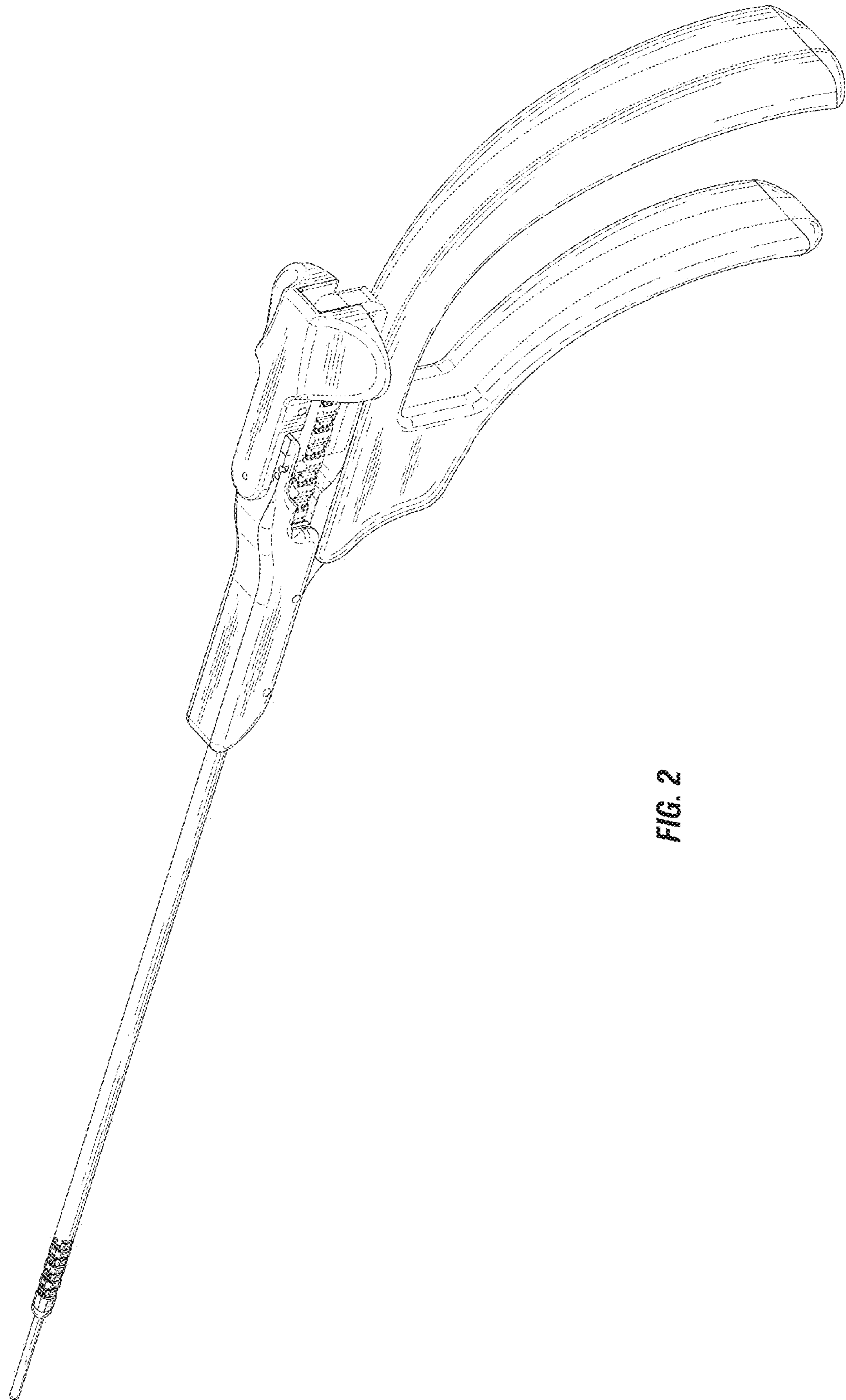


FIG. 2

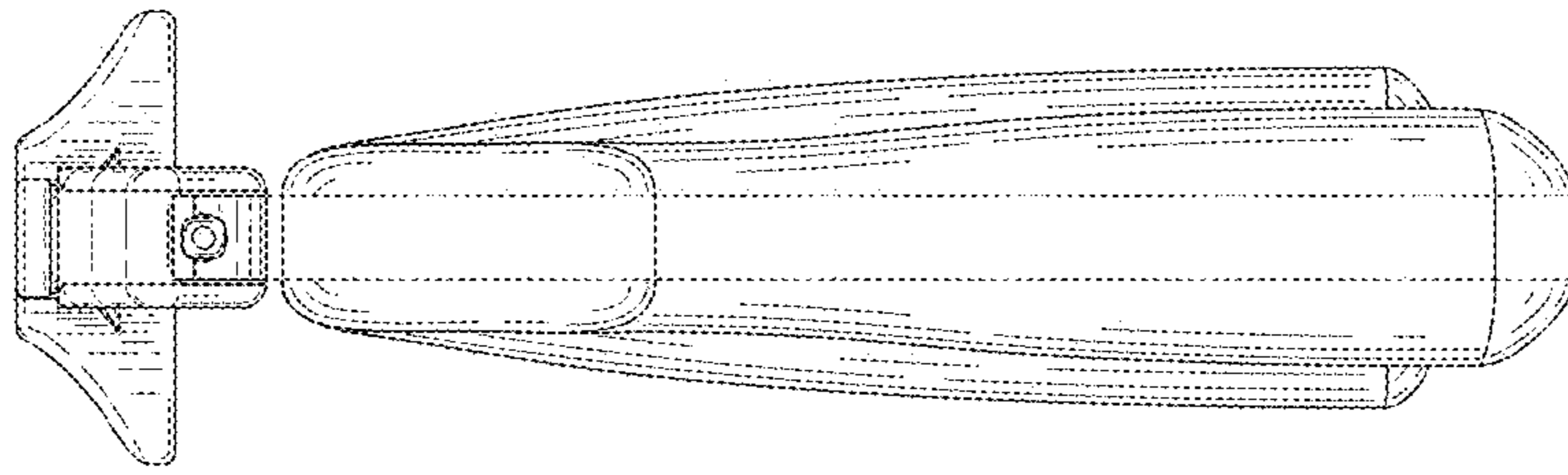


FIG. 4

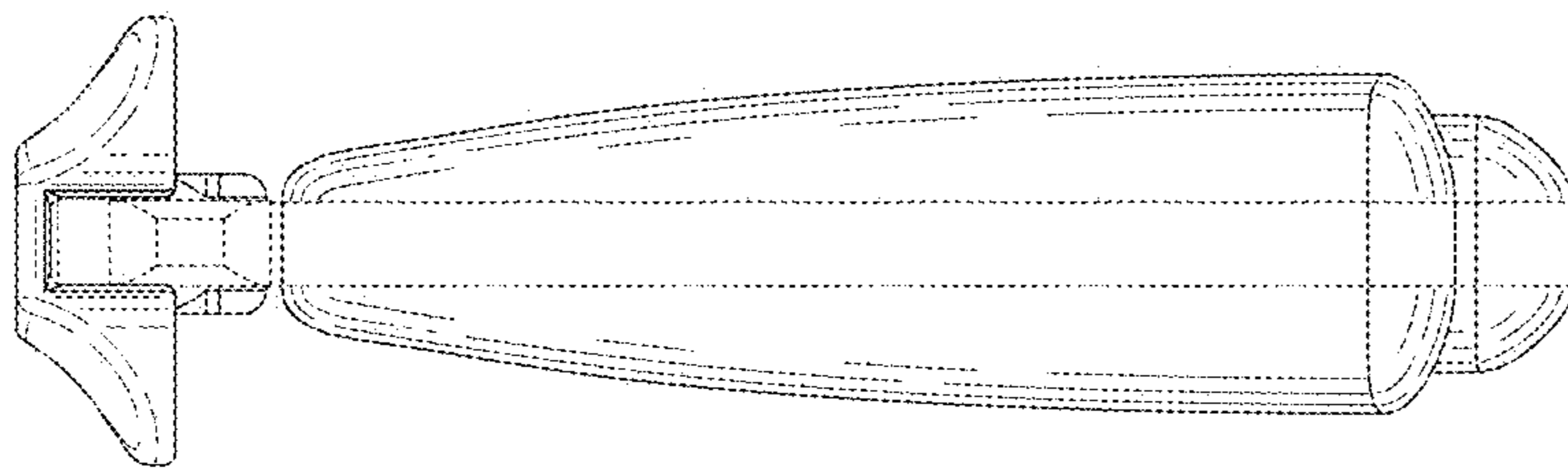


FIG. 3

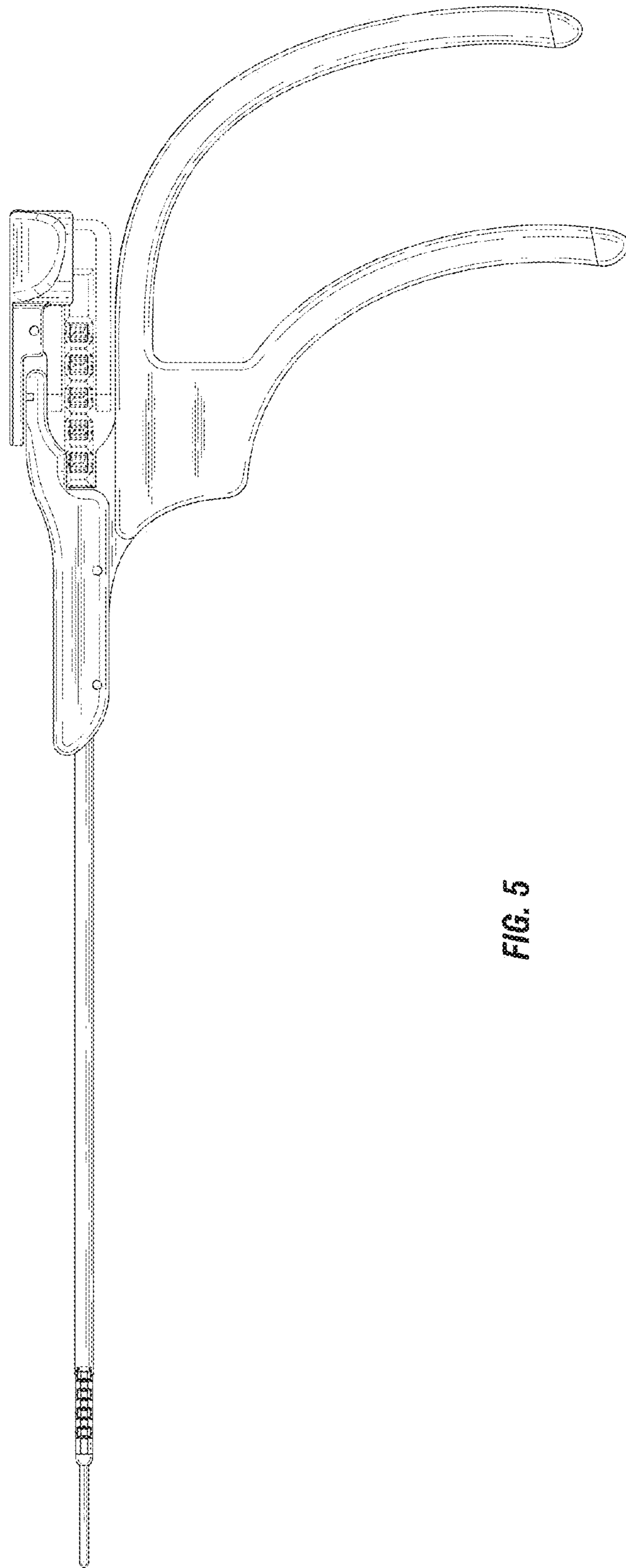


FIG. 5

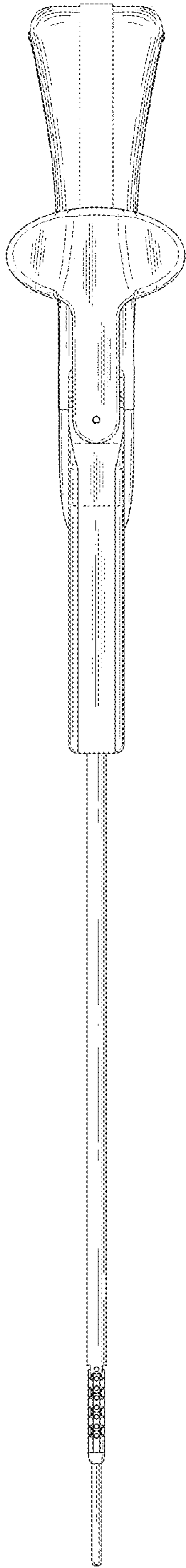


FIG. 6

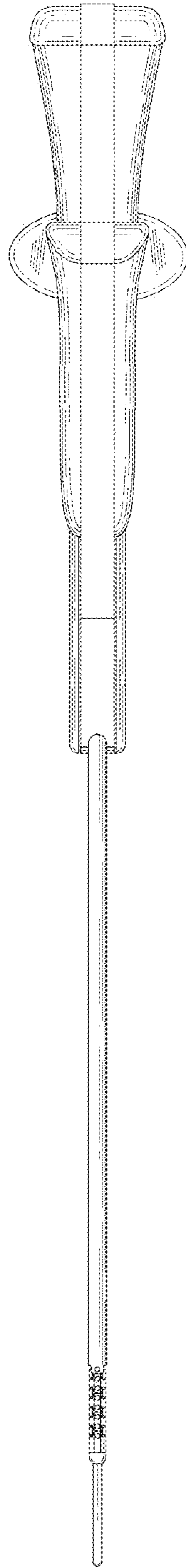


FIG. 7