



US00D683848S

(12) **United States Design Patent**
Ogura et al.

(10) **Patent No.:** **US D683,848 S**
(45) **Date of Patent:** **** Jun. 4, 2013**

(54) **APPLICATOR DEVICE**

(75) Inventors: **Makoto Ogura**, Tsukuba (JP); **Seiji Tokumoto**, Tsukuba (JP)

(73) Assignee: **Hisamitsu Pharmaceutical Corporation**, Saga (JP)

(**) **Term:** **14 Years**

(21) **Appl. No.:** **29/413,184**

(22) **Filed:** **Feb. 13, 2012**

(30) **Foreign Application Priority Data**

Sep. 16, 2011 (JP) D2011-021351

(51) **LOC (9) Cl.** **24-02**

(52) **U.S. Cl.**
USPC **D24/112**

(58) **Field of Classification Search**
USPC D24/127-131, 112-114, 133, 186,
D24/147; 606/162, 180, 181, 185; 604/264,
604/272, 115, 1, 2, 19, 3, 309, 73, 540, 232,
604/187, 158, 164.08, 192, 263, 163, 181,
604/184, 198, 227; 600/572, 101, 139, 143;
128/200.24, 207.14, 207.151; 132/317;
401/196; D8/49; 227/120

See application file for complete search history.

(56) **References Cited**

U.S. PATENT DOCUMENTS

4,648,531	A *	3/1987	Won	221/232
4,938,354	A *	7/1990	Hernandez	604/263
D385,350	S *	10/1997	Furnish	D24/133
6,209,772	B1 *	4/2001	Wang	227/134
D502,370	S *	3/2005	Hsu	D8/49

D517,884	S *	3/2006	Ellingwood	D24/133
7,021,512	B1 *	4/2006	Nakamura	227/120
D582,240	S *	12/2008	Benktzon et al.	D24/133
7,497,845	B2 *	3/2009	Reid	604/164.08
7,828,182	B2 *	11/2010	Lin et al.	227/120
8,002,161	B2 *	8/2011	Maemori	227/120
8,286,644	B2 *	10/2012	Bennett	132/317
8,297,485	B2 *	10/2012	Schneider et al.	227/120

* cited by examiner

Primary Examiner — David Muller

(74) *Attorney, Agent, or Firm* — Leydig, Voit & Mayer, Ltd.

(57) **CLAIM**

The ornamental design for an applicator device, as shown and described.

DESCRIPTION

FIG. 1 is a front view of an applicator device of the present invention.

FIG. 2 is a rear view of the applicator device of FIG. 1.

FIG. 3 is a top plan view of the applicator device of FIG. 1.

FIG. 4 is a bottom view of the applicator device of FIG. 1.

FIG. 5 is a right side view of the applicator device of FIG. 1.

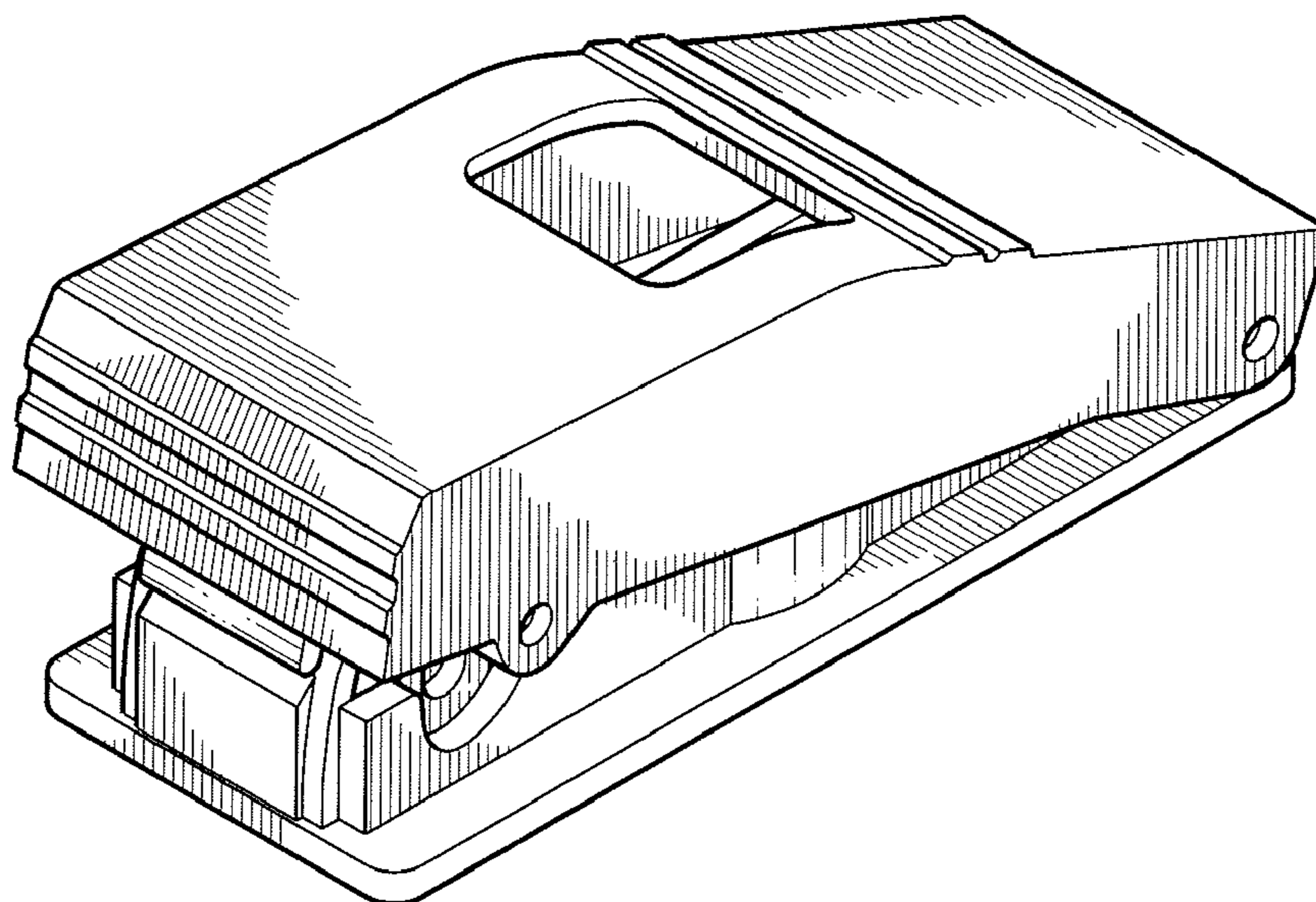
FIG. 6 is a left side view of the applicator device of FIG. 1.

FIG. 7 is a perspective view from above of the applicator device of FIG. 1.

FIG. 8 is a perspective view from below of the applicator device of FIG. 1; and,

FIG. 9 is a front view of the applicator device of FIG. 1, wherein a top part of the device is pressed down so that, for example, when the device has been located on the human body over a microneedle array, pressing the top part down applies the microneedle array to the skin.

1 Claim, 9 Drawing Sheets



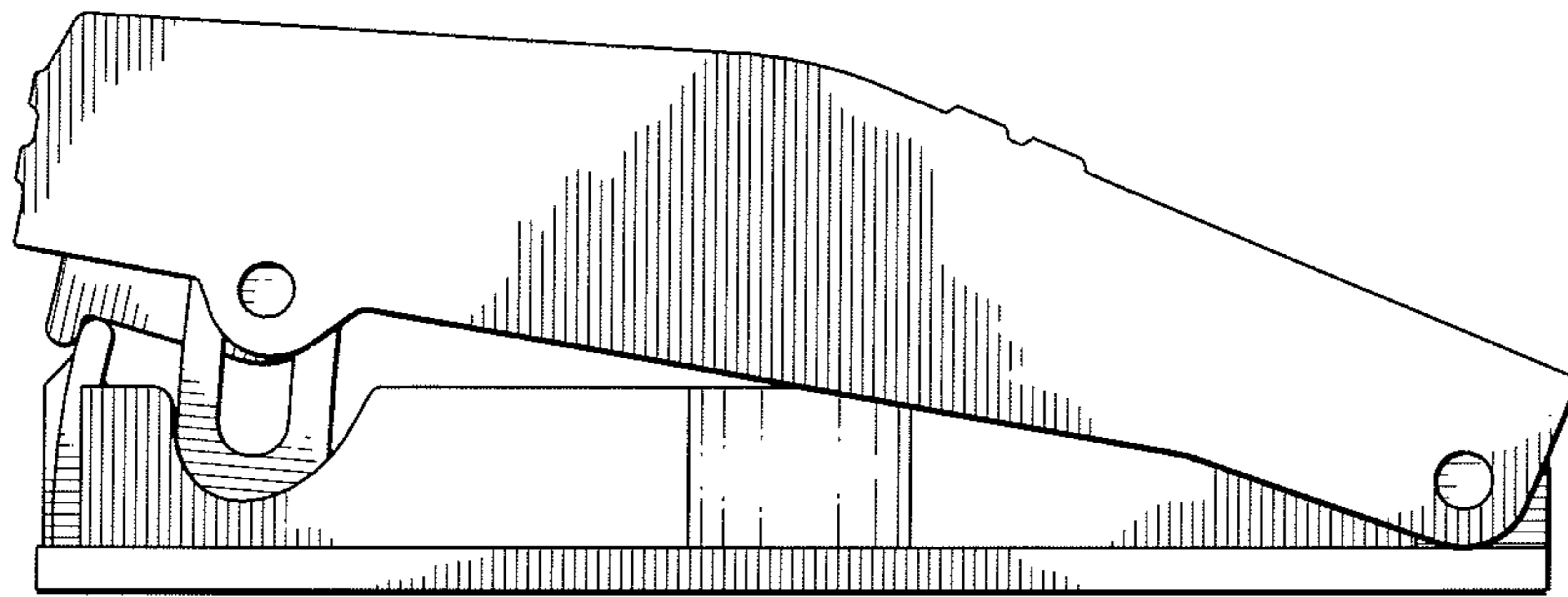


FIG. 1

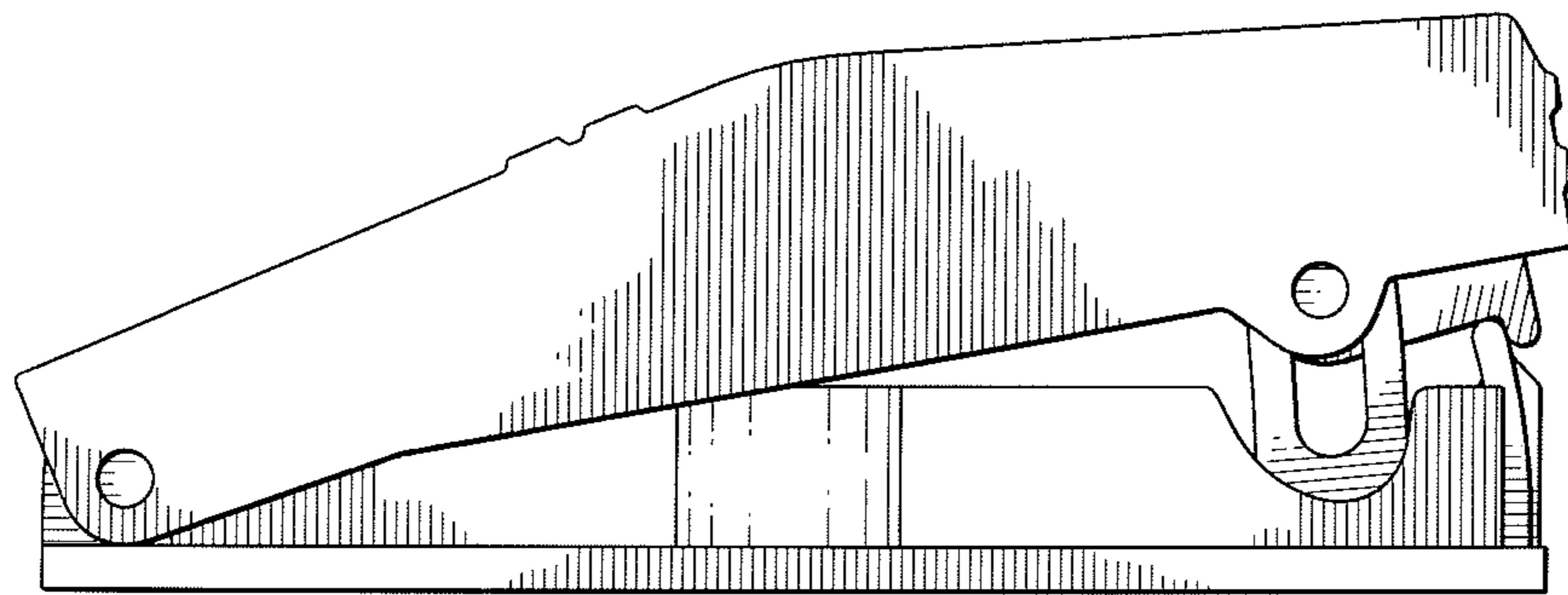


FIG. 2

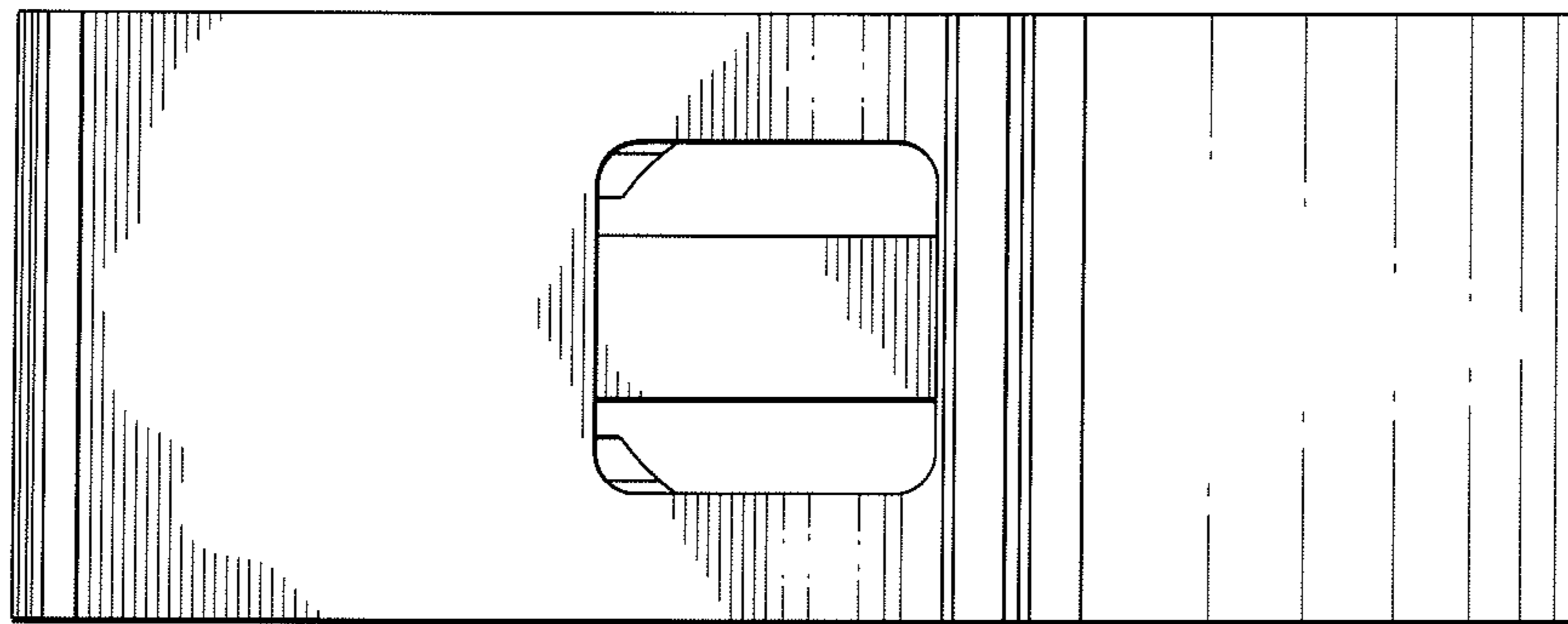


FIG. 3

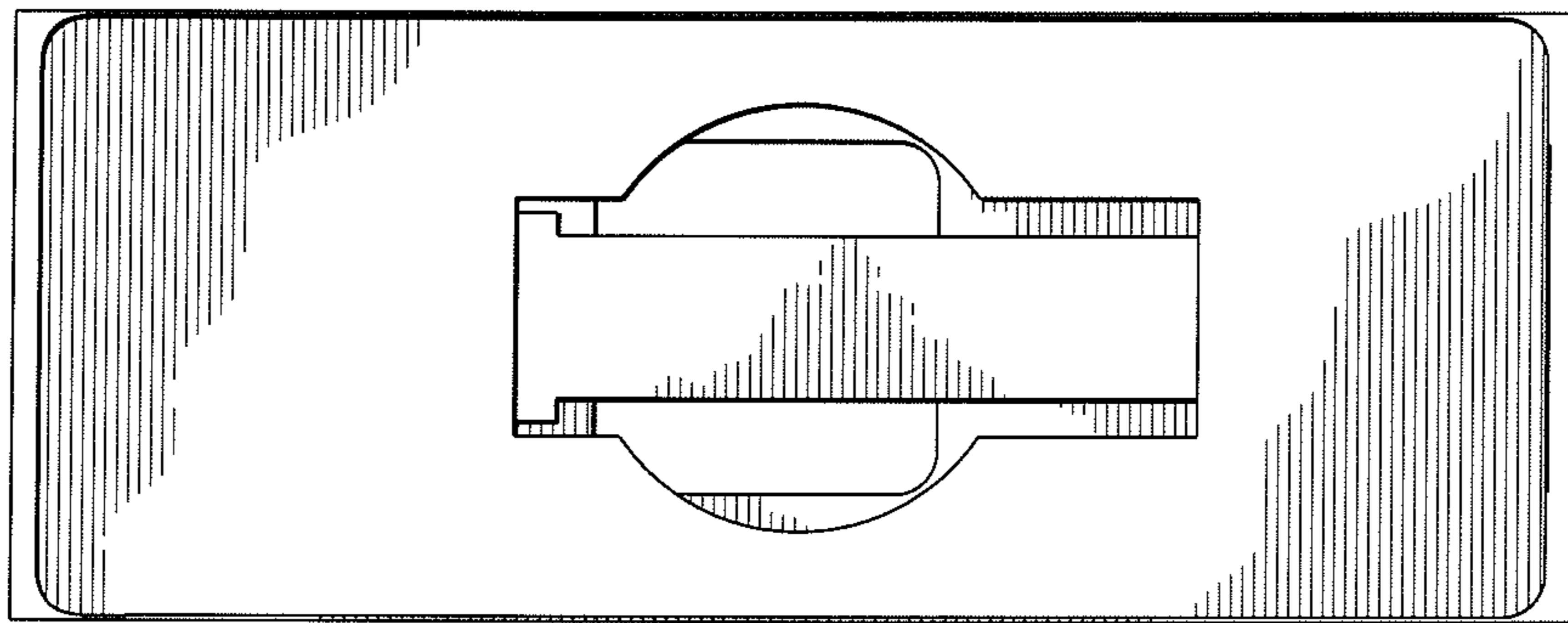


FIG. 4

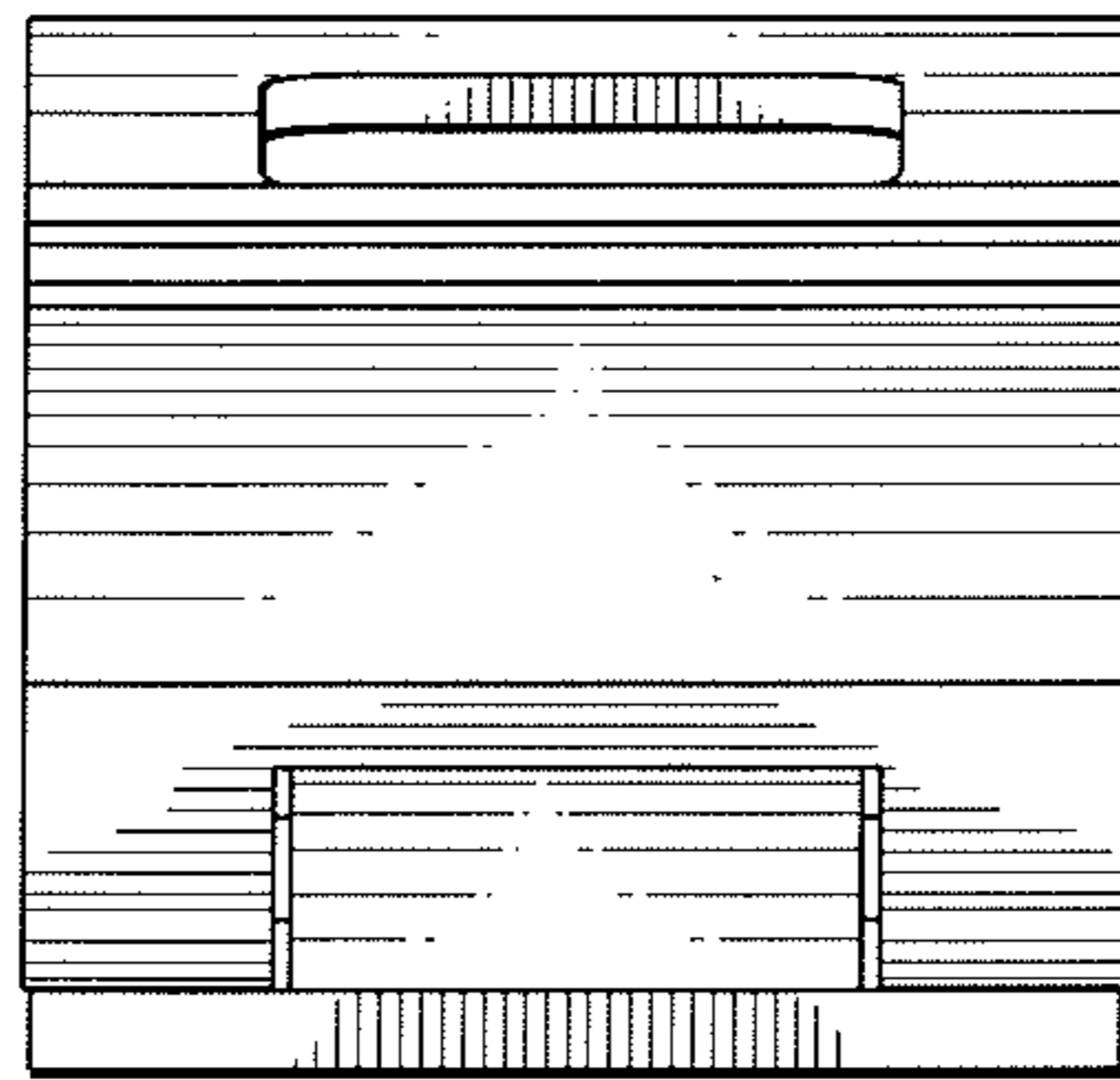


FIG. 5

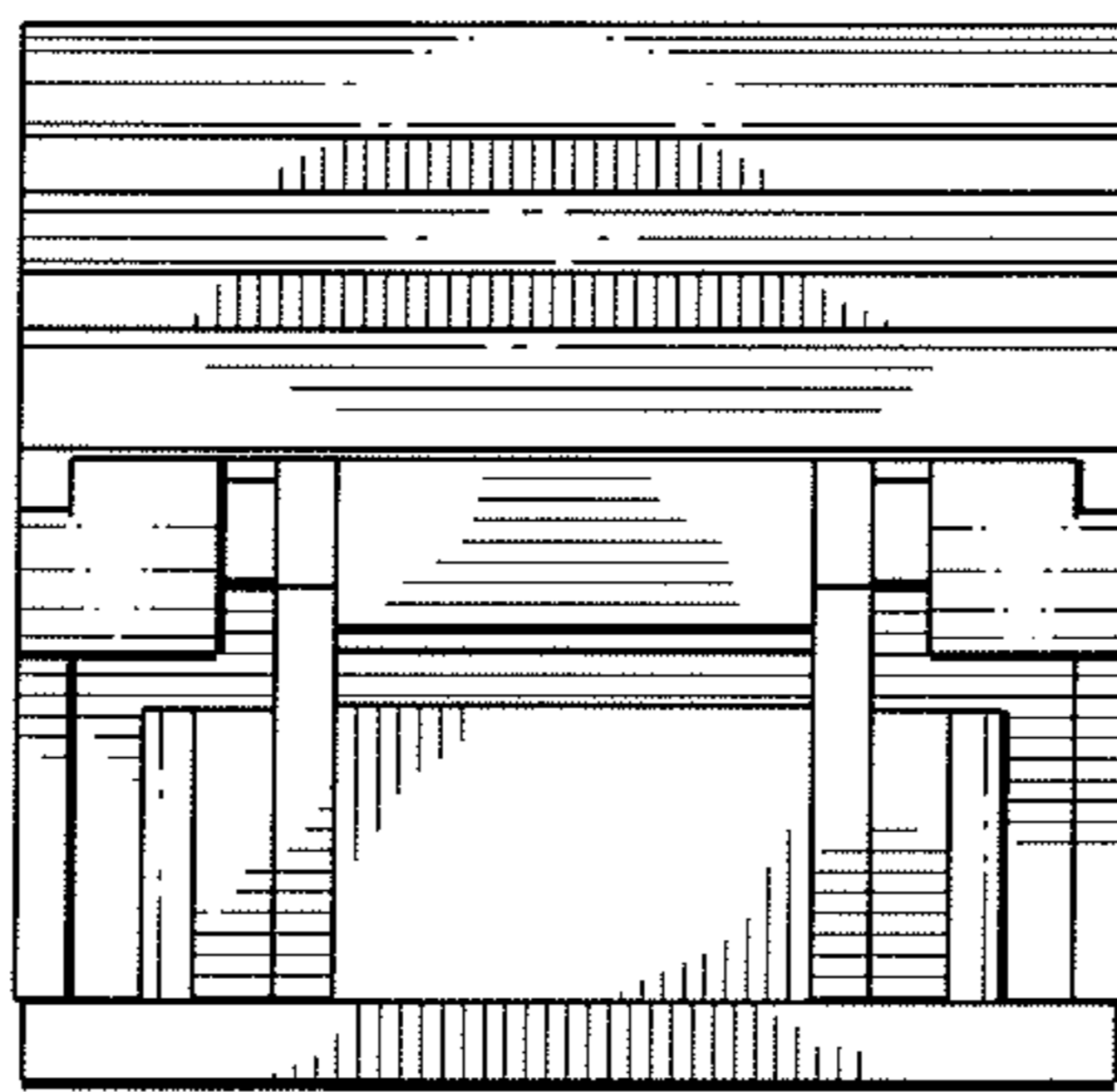


FIG. 6

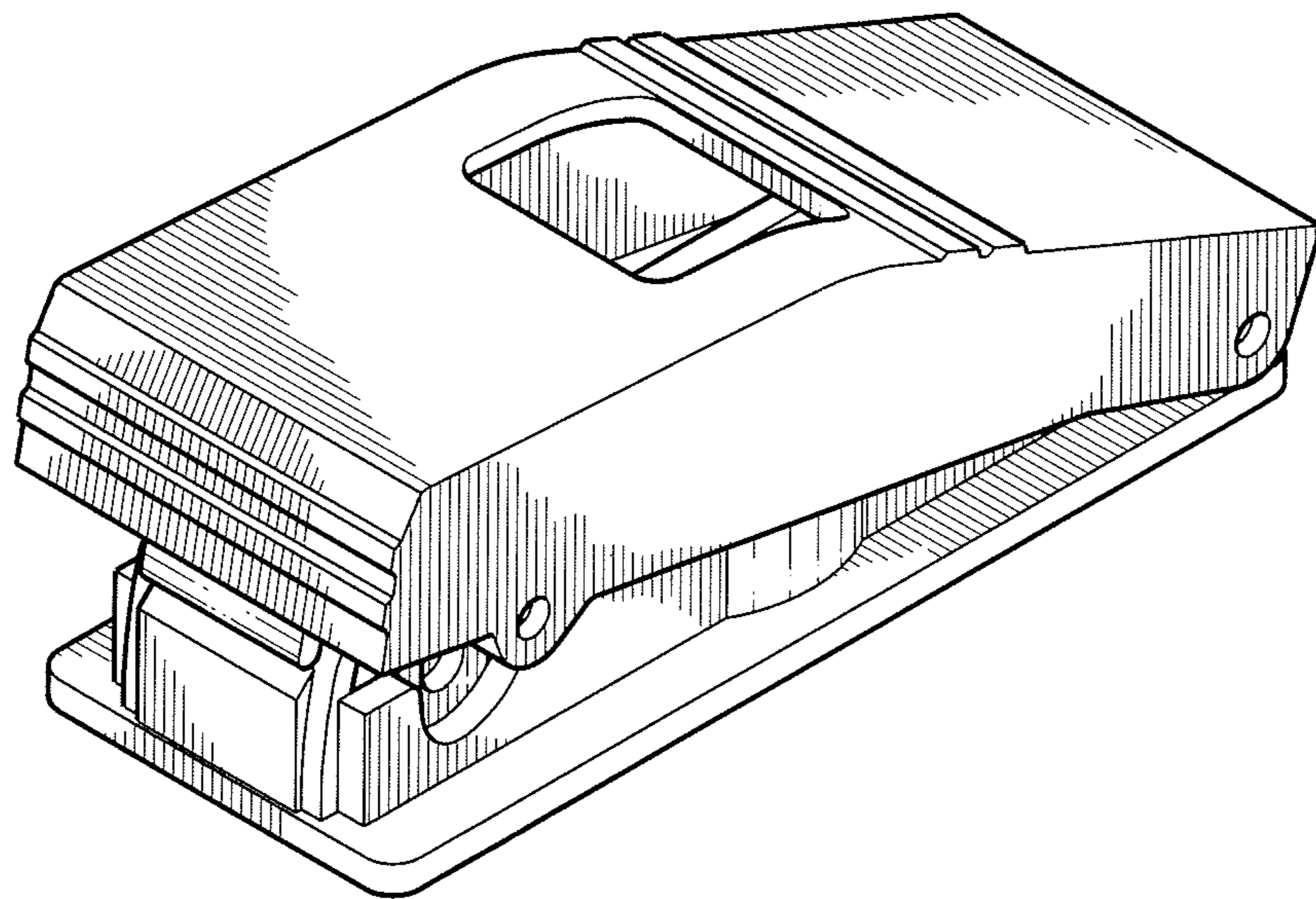


FIG. 7

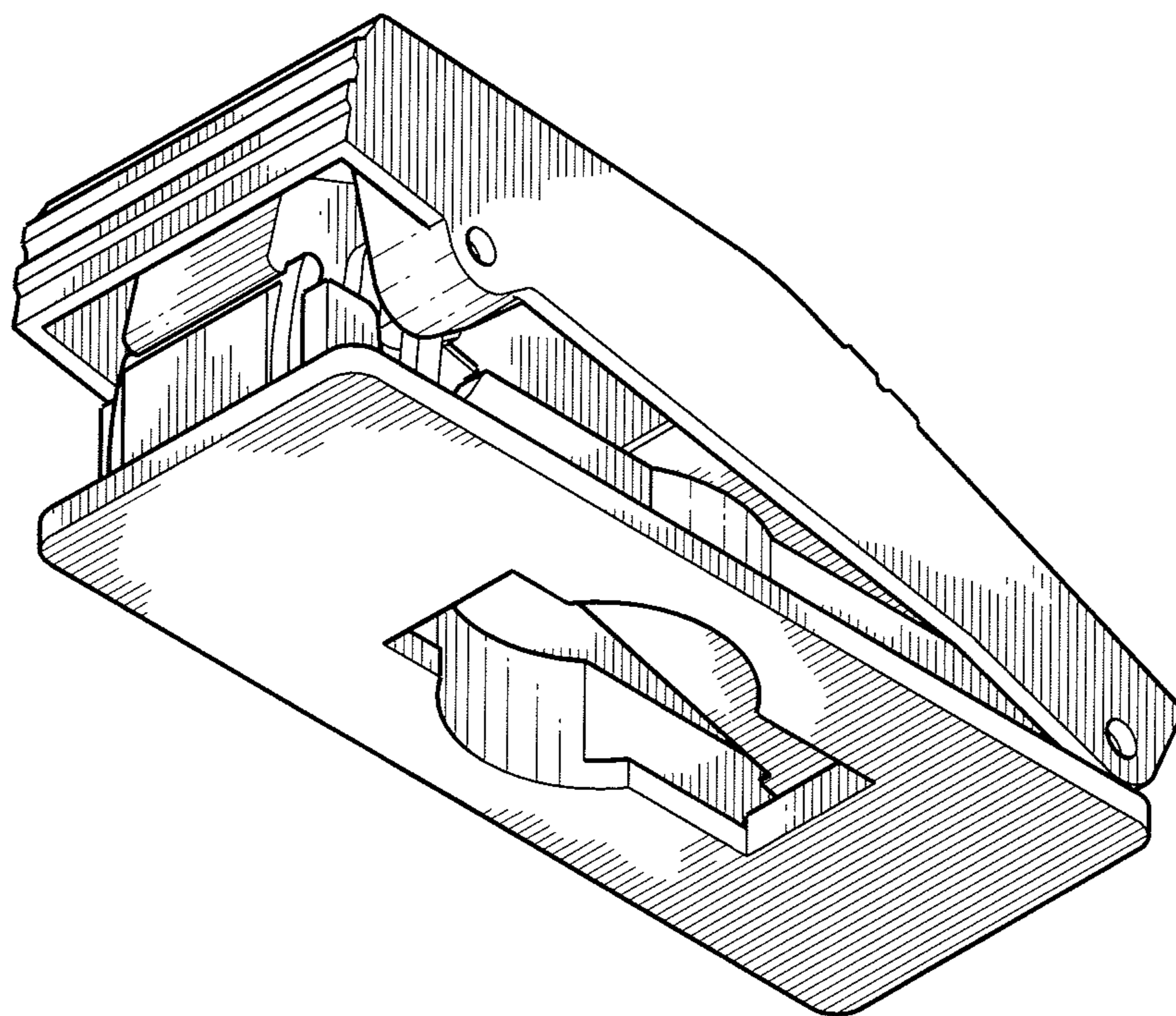


FIG. 8

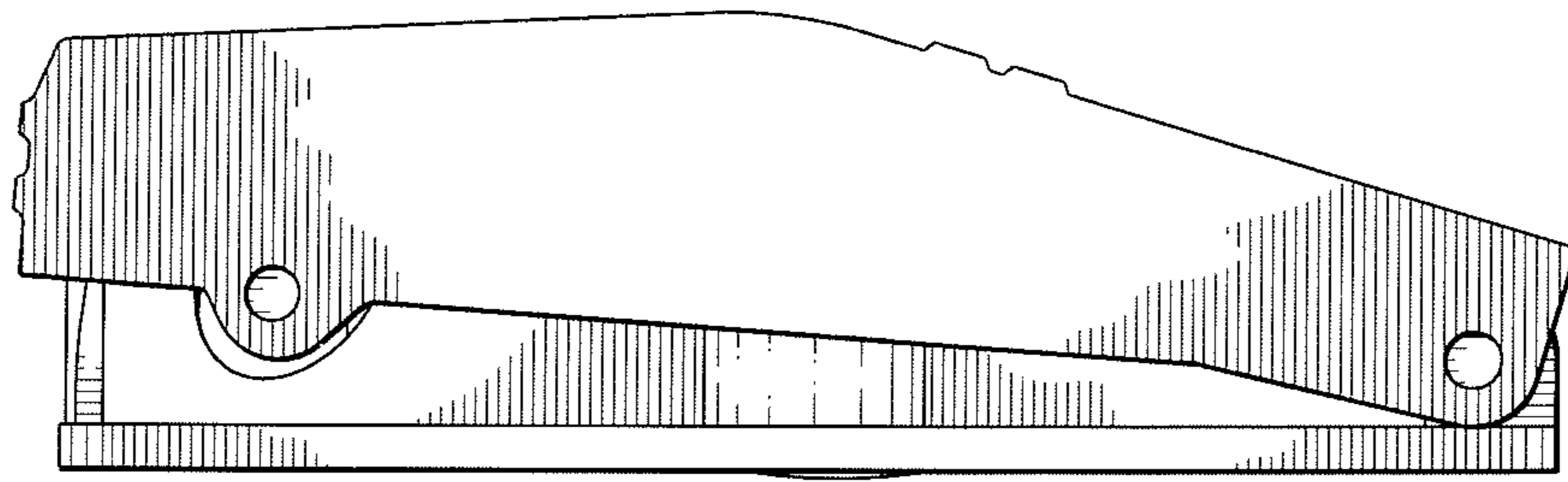


FIG. 9