



US00D683846S

(12) **United States Design Patent**
Vandyke et al.

(10) **Patent No.:** **US D683,846 S**
(45) **Date of Patent:** **** Jun. 4, 2013**

(54) **RESPIRATORY MASK**

(75) Inventors: **James William Charles Vandyke**,
Glebe (AU); **Robert Edward Henry**,
Baulkham Hills (AU); **Gerard Michael**
Rummery, Woodford (AU); **Matthew**
David Spruell, Roseville (AU); **Stewart**
Joseph Wagner, Bowen Mountain (AU);
Justin John Formica, Voyager Point
(AU); **Jamie Graeme Wehbeh**, Mosman
(AU); **Stuart Norris Plascott**,
Macquarie Park (AU); **Mark Bertinetti**,
Ermington (AU); **Benjamin John**
Hunter, Turramurra (AU)

(73) Assignee: **ResMed Limited**, Bella Vista (AU)

(**) **Term:** **14 Years**

(21) Appl. No.: **29/371,435**

(22) Filed: **Feb. 25, 2011**

(51) **LOC (9) Cl.** **29-02**

(52) **U.S. Cl.**
USPC **D24/110.1; D24/110.4**

(58) **Field of Classification Search**
USPC **D24/110-110.5, 164; 128/205.25,**
128/206.26, 206.27, 207.11-207.13
See application file for complete search history.

(56) **References Cited**

U.S. PATENT DOCUMENTS

D492,992 S * 7/2004 Guney et al. D24/110.1
D505,489 S 5/2005 Sleeper

D538,927 S 3/2007 Aylsworth et al.
D556,898 S * 12/2007 Guney et al. D24/110.1
D557,411 S * 12/2007 Smart et al. D24/110.1
D572,816 S 7/2008 Lang et al.
D595,841 S * 7/2009 McAuley et al. D24/110.1
D639,932 S * 6/2011 D'Souza et al. D24/110.1
D655,808 S * 3/2012 Stallard et al. D24/110.1
2008/0006277 A1 * 1/2008 Worboys et al. 128/207.13
2011/0155139 A1 * 6/2011 Ho et al. 128/206.24
2011/0277770 A1 * 11/2011 Chang 128/206.21

OTHER PUBLICATIONS

Spruell et al., U.S. Appl. No. 29/371,434, filed Feb. 25, 2011.
Rummery et al., U.S. Appl. No. 29/401,274, filed Sep. 9, 2011.

* cited by examiner

Primary Examiner — Richard E Chilcot

(74) *Attorney, Agent, or Firm* — Nixon & Vanderhye P.C.

(57) **CLAIM**

The ornamental design for a respiratory mask, as shown and described.

DESCRIPTION

FIG. 1 is a rear perspective view of a respiratory mask according to our new ornamental design;
FIG. 2 is a front view thereof;
FIG. 3 is a rear view thereof;
FIG. 4 is a top view thereof;
FIG. 5 is a bottom view thereof;
FIG. 6 is a left side view thereof; and,
FIG. 7 is a right side view thereof.

1 Claim, 7 Drawing Sheets





FIG. 1

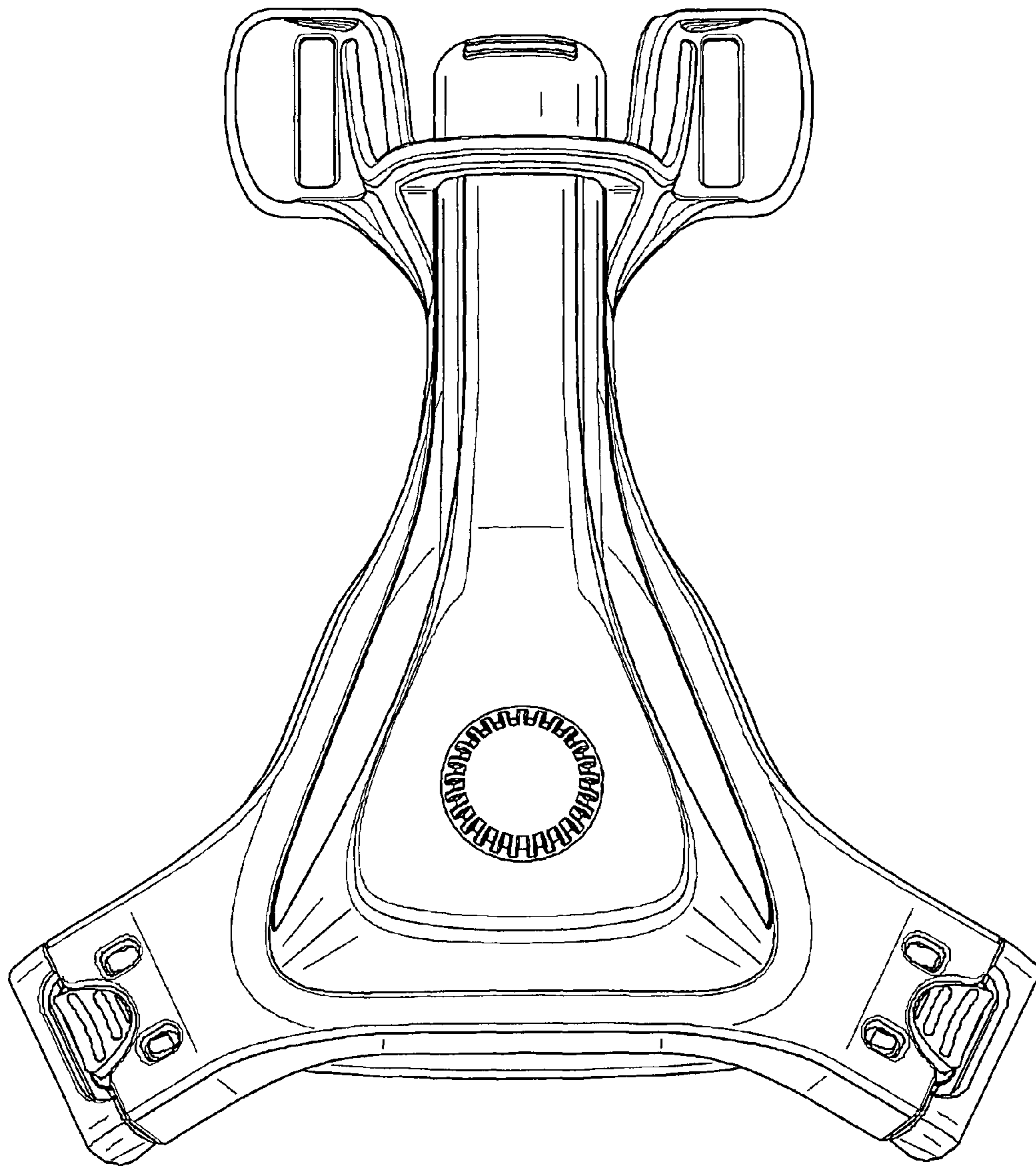


FIG. 2

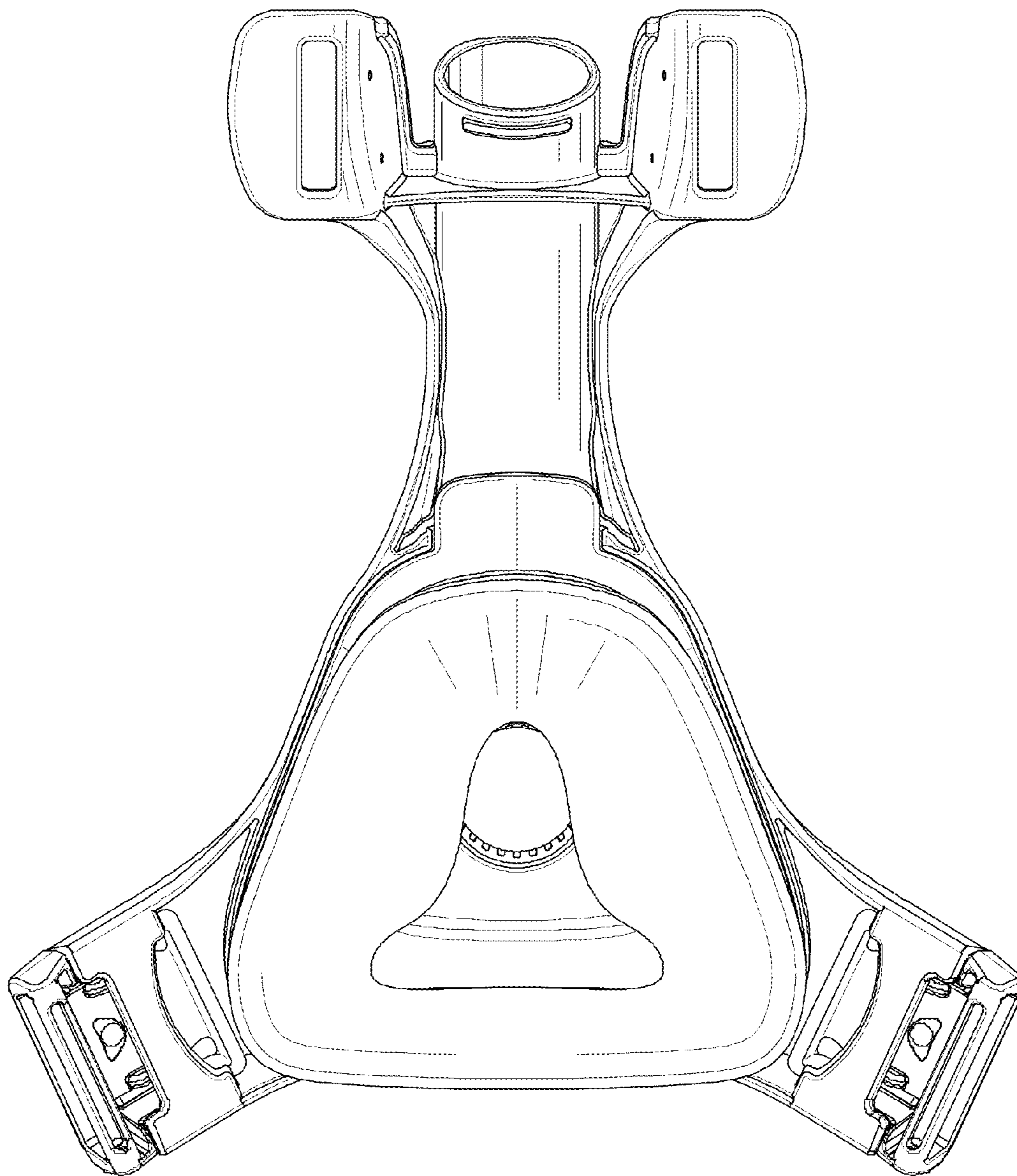


FIG. 3

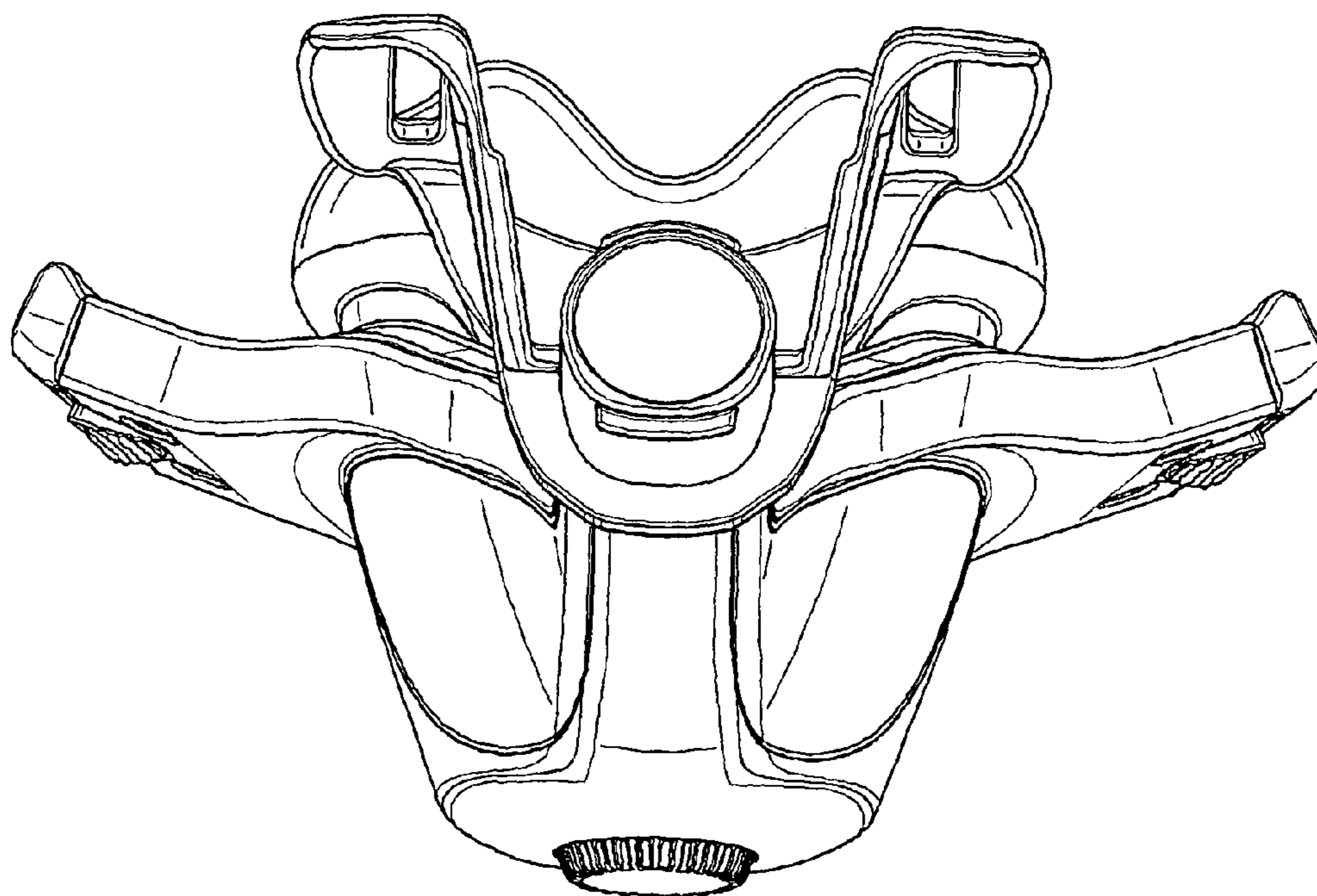


FIG. 4

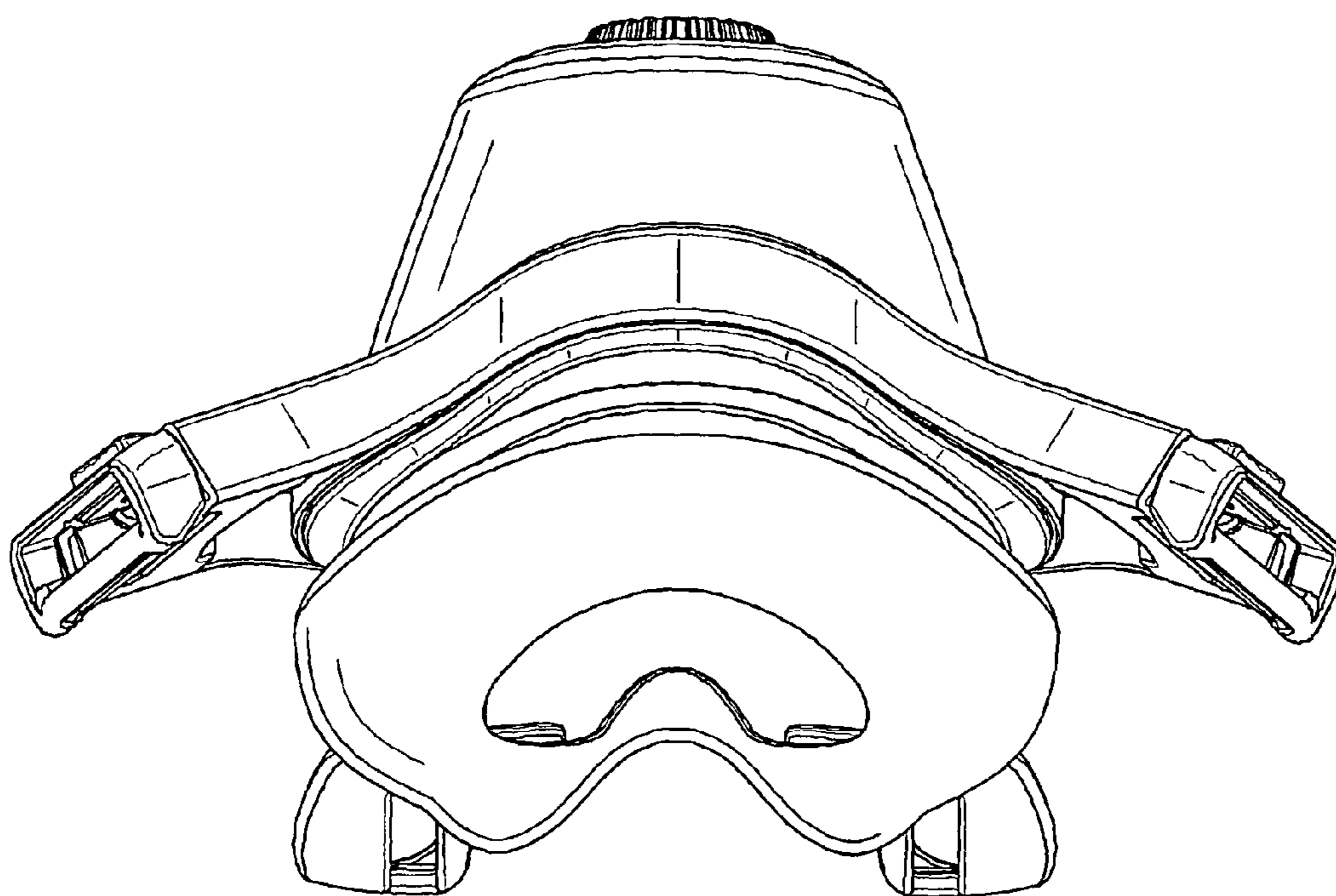


FIG. 5

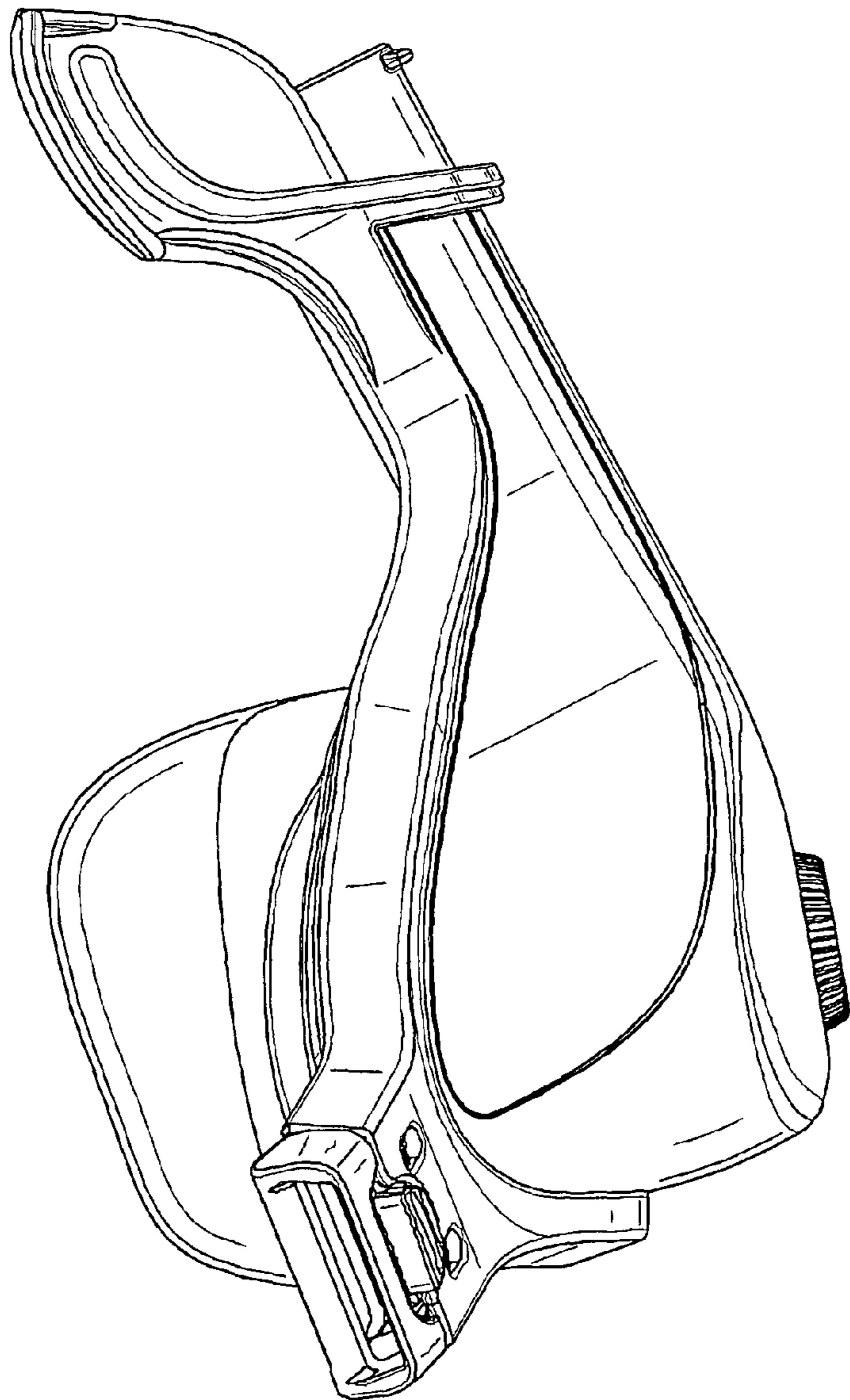


FIG. 6

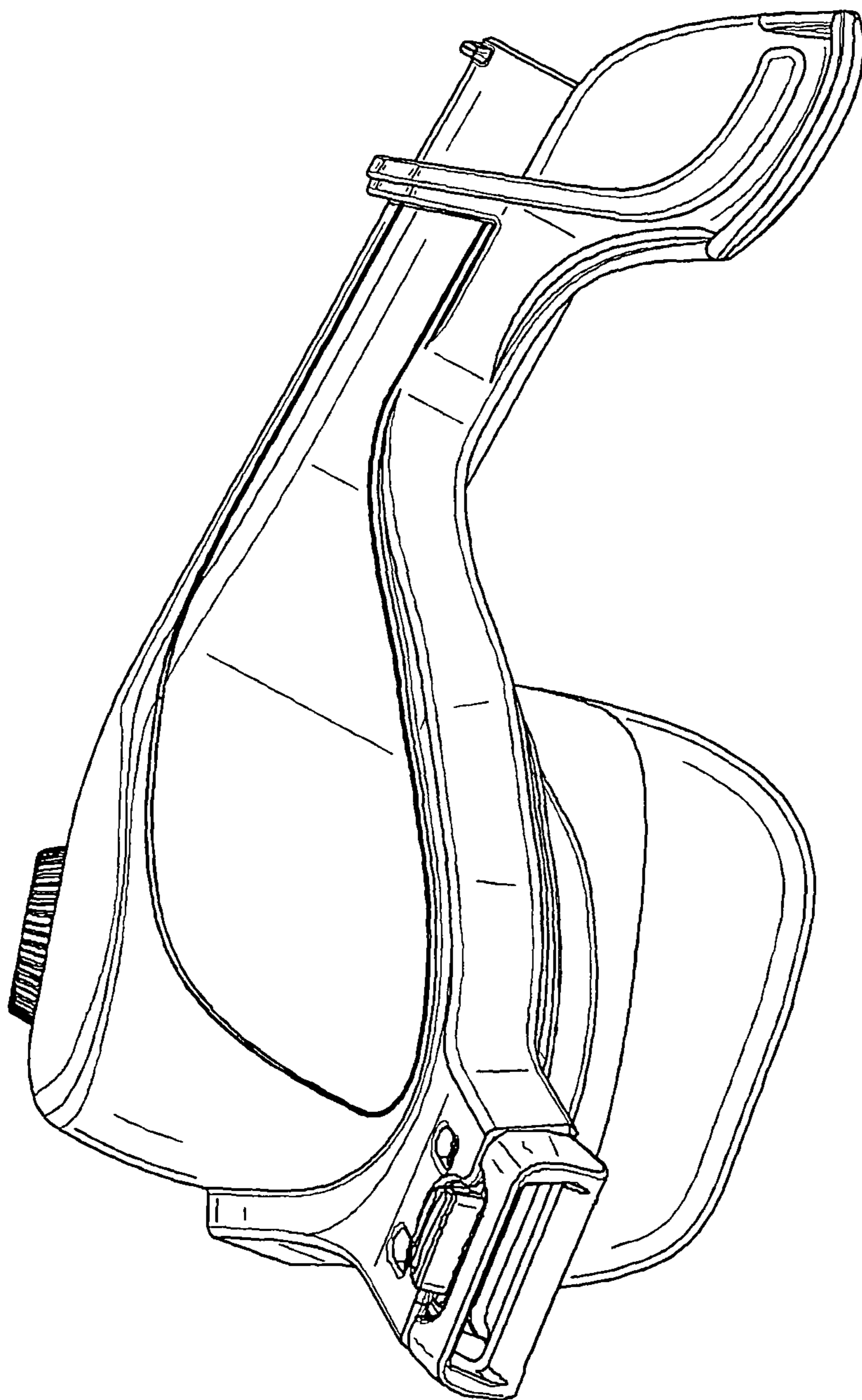


FIG. 7