



US00D683843S

(12) **United States Design Patent**  
**Cudworth**

(10) **Patent No.:** **US D683,843 S**  
(45) **Date of Patent:** **\*\* Jun. 4, 2013**

(54) **MOTOR UNIT FOR A BREAST PUMP**

(75) Inventor: **Nicholas Cudworth**, Pittington (GB)

(73) Assignee: **Jackel International Limited**,  
Cramlington Northumberland (GB)

(\*\*) Term: **14 Years**

(21) Appl. No.: **29/370,181**

(22) Filed: **Jun. 14, 2010**

(51) **LOC (9) Cl.** ..... **24-02**

(52) **U.S. Cl.**  
USPC ..... **D24/109**

(58) **Field of Classification Search**  
USPC ..... D14/216; D15/7, 8; D21/324; D24/109,  
D24/111; 604/74-76

See application file for complete search history.

(56) **References Cited**

**U.S. PATENT DOCUMENTS**

D246,729 S *	12/1977	Murphy	.....	D24/109
D460,491 S *	7/2002	Meyer et al.	.....	D21/324
D484,970 S *	1/2004	Renz et al.	.....	D24/109
D494,633 S *	8/2004	Nussberger et al.	.....	D21/324
D496,723 S	9/2004	Myers et al.		
D537,072 S *	2/2007	Kim et al.	.....	D14/215
D540,939 S	4/2007	Pukall et al.		
7,223,255 B2	5/2007	Myers et al.		
D565,174 S	3/2008	Pukall et al.		
D566,682 S *	4/2008	Marash	.....	D14/149
D573,249 S	7/2008	Solberg		
D576,268 S	9/2008	Solberg		
D576,269 S	9/2008	Solberg		
D601,564 S *	10/2009	Maeno	.....	D14/400
7,785,305 B2	8/2010	Myers et al.		
7,789,865 B2	9/2010	Myers et al.		
2008/0275386 A1	11/2008	Myers		
2010/0228188 A1	9/2010	Kunzler et al.		

**FOREIGN PATENT DOCUMENTS**

EM	000257928-0001	11/2006
EM	000257928-0002	11/2006
EM	000257928-0003	11/2006
EM	000257928-0004	11/2006
EM	000257928-0005	11/2006
EM	000257928-0006	11/2006
EM	000747837-0001	9/2007

\* cited by examiner

*Primary Examiner* — Ian Simmons

*Assistant Examiner* — Richelle Shelton

(74) *Attorney, Agent, or Firm* — Olson & Cepuritis, Ltd.

(57) **CLAIM**

The ornamental design for a motor unit for a breast pump, as shown and described.

**DESCRIPTION**

FIG. 1 is a perspective view of an embodiment of the motor unit for a breast pump;

FIG. 2 is a front elevation view of the embodiment of the motor unit for a breast pump shown in FIG. 1;

FIG. 3 is a back elevation view of the embodiment of the motor unit for a breast pump shown in FIG. 1;

FIG. 4 is side elevation view of the embodiment of the motor unit for a breast pump shown in FIG. 1;

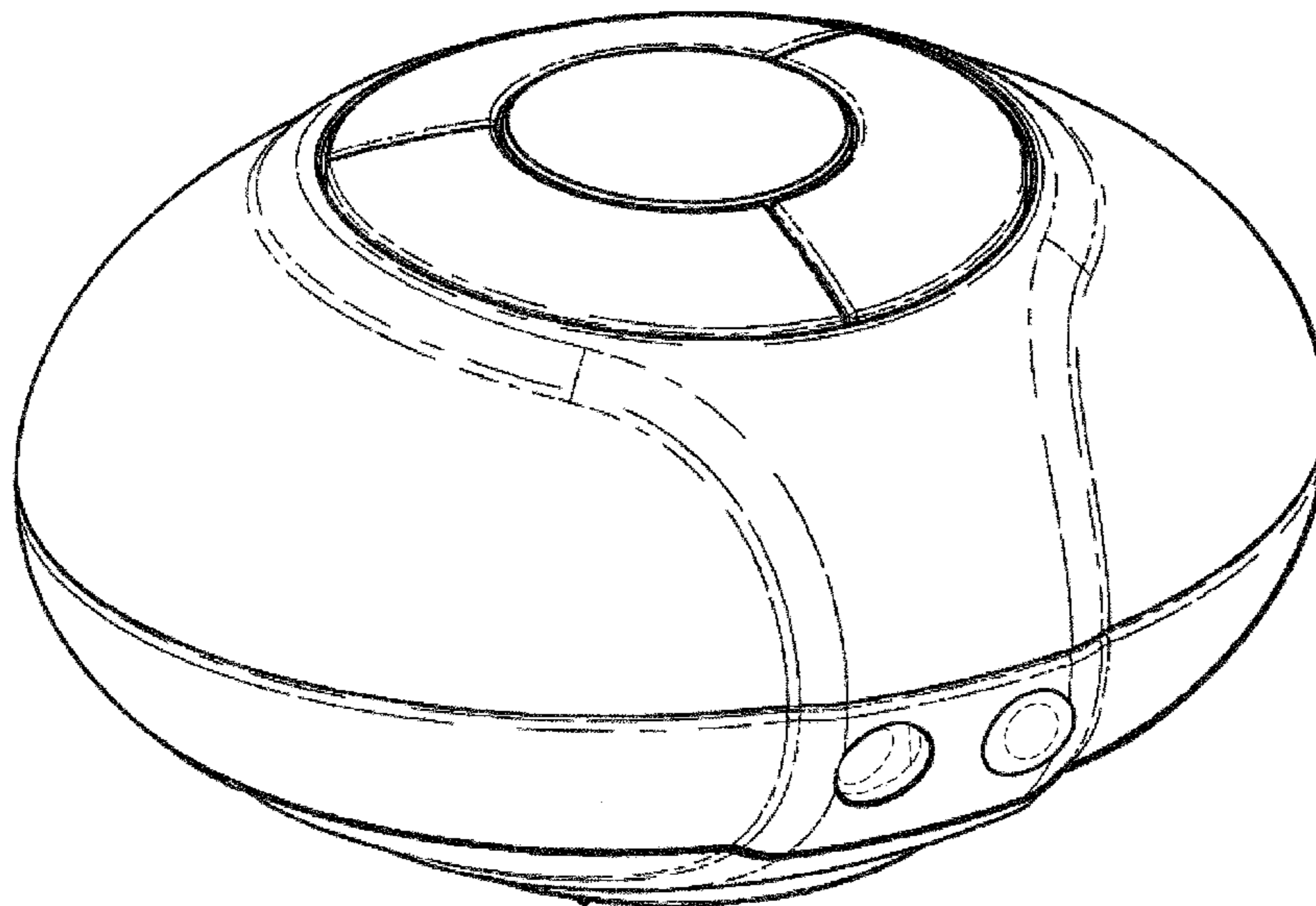
FIG. 5 is an opposite side elevation view of the motor unit for a breast pump embodiment shown in FIG. 1;

FIG. 6 is a top plan view of the embodiment of the motor unit for a breast pump shown in FIG. 1; and,

FIG. 7 is a bottom plan view of the embodiment of the motor unit for a breast pump shown in FIG. 1.

The broken line showing of portions of the article, defined with dash dashed lines, is included for the purpose of illustrating environmental structure and forms no part of the claimed design.

**1 Claim, 7 Drawing Sheets**



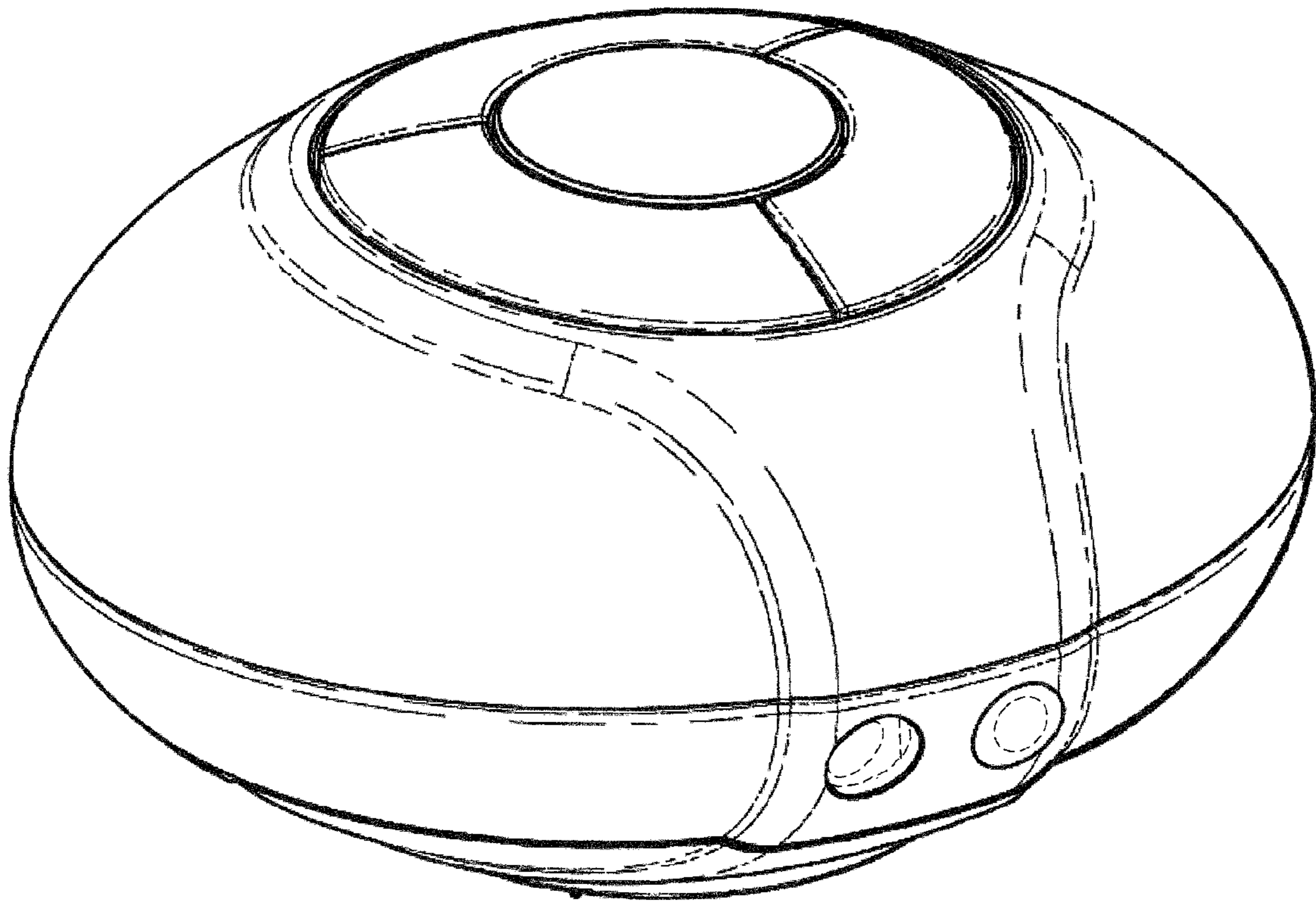


FIG. 1

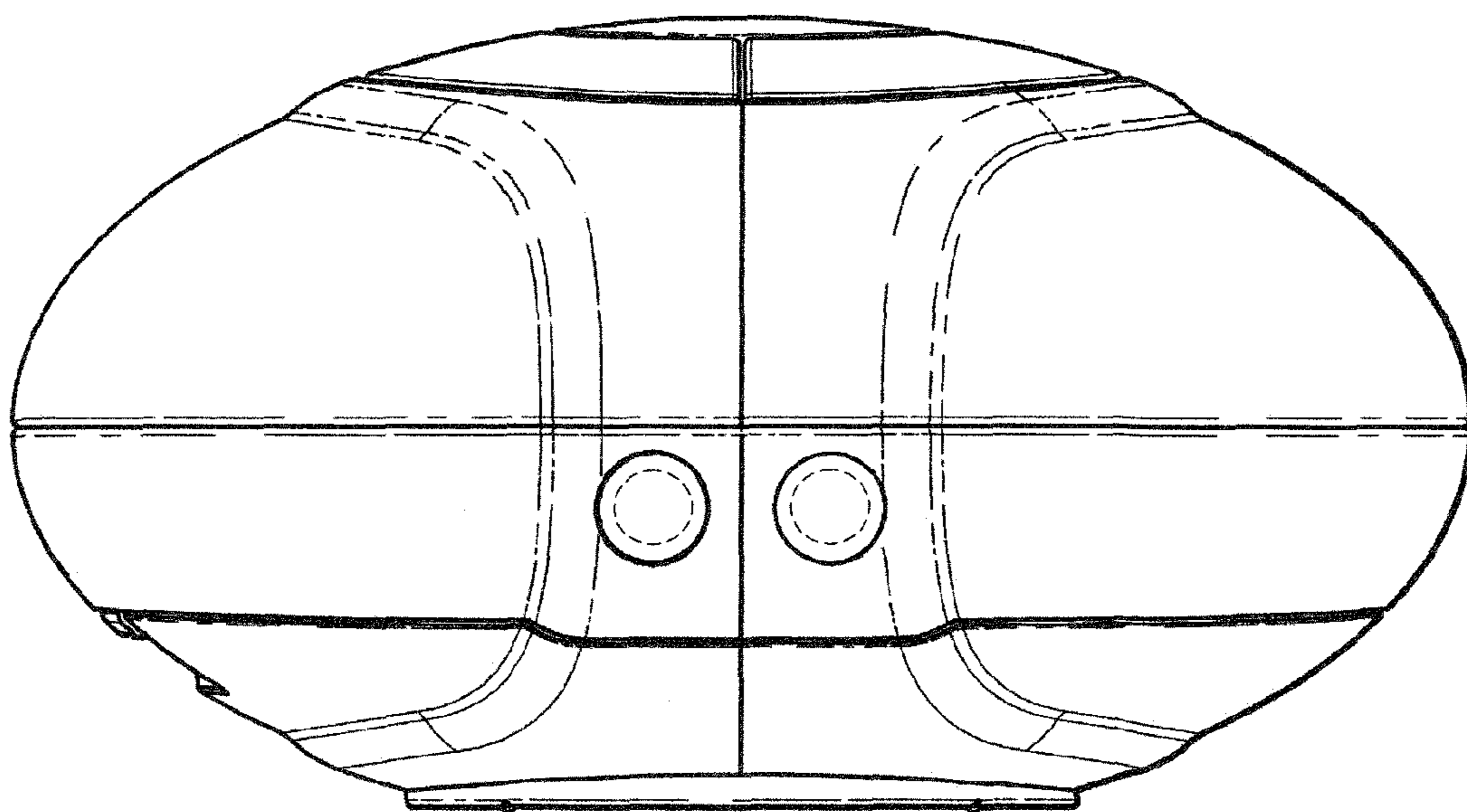


FIG. 2

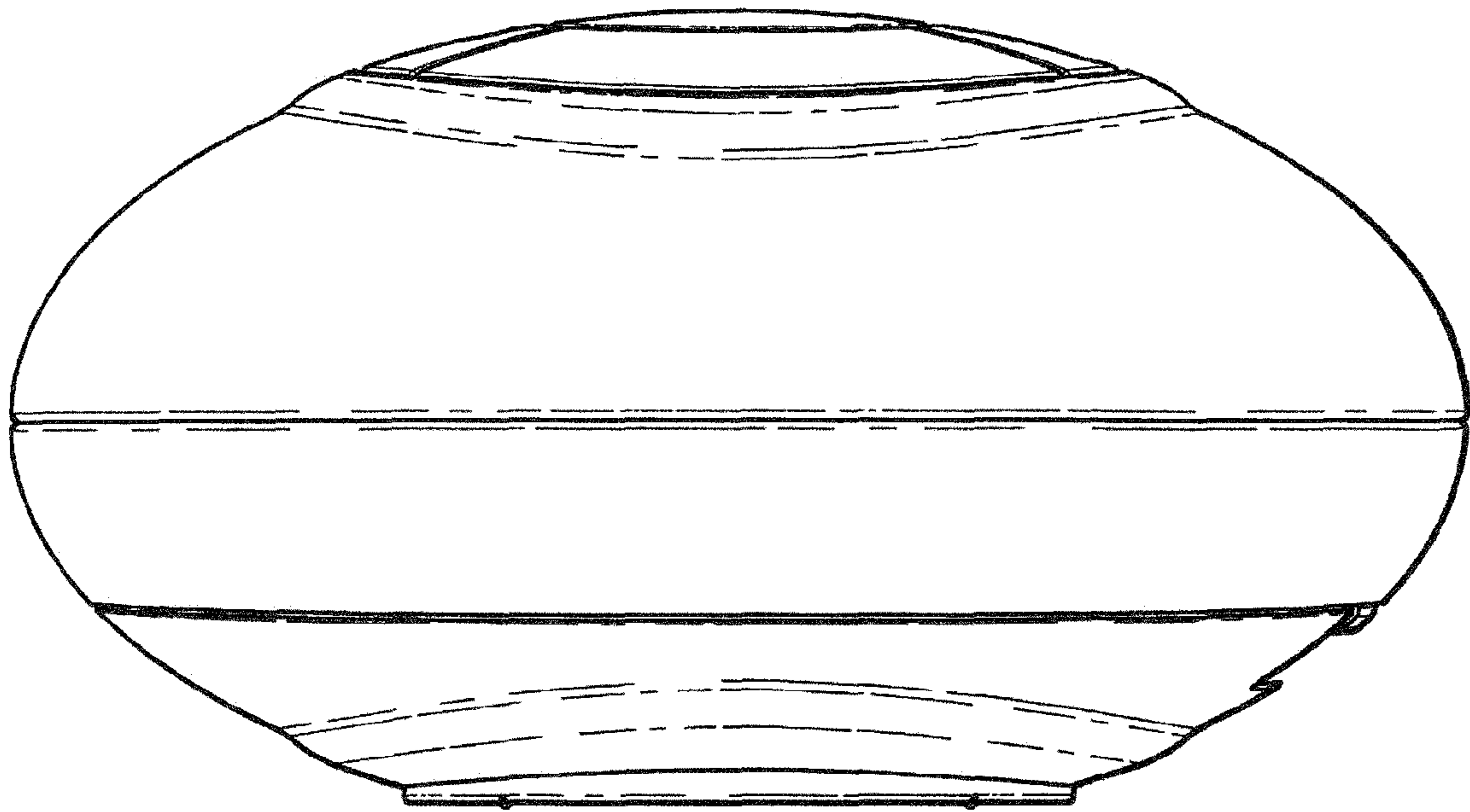


FIG. 3

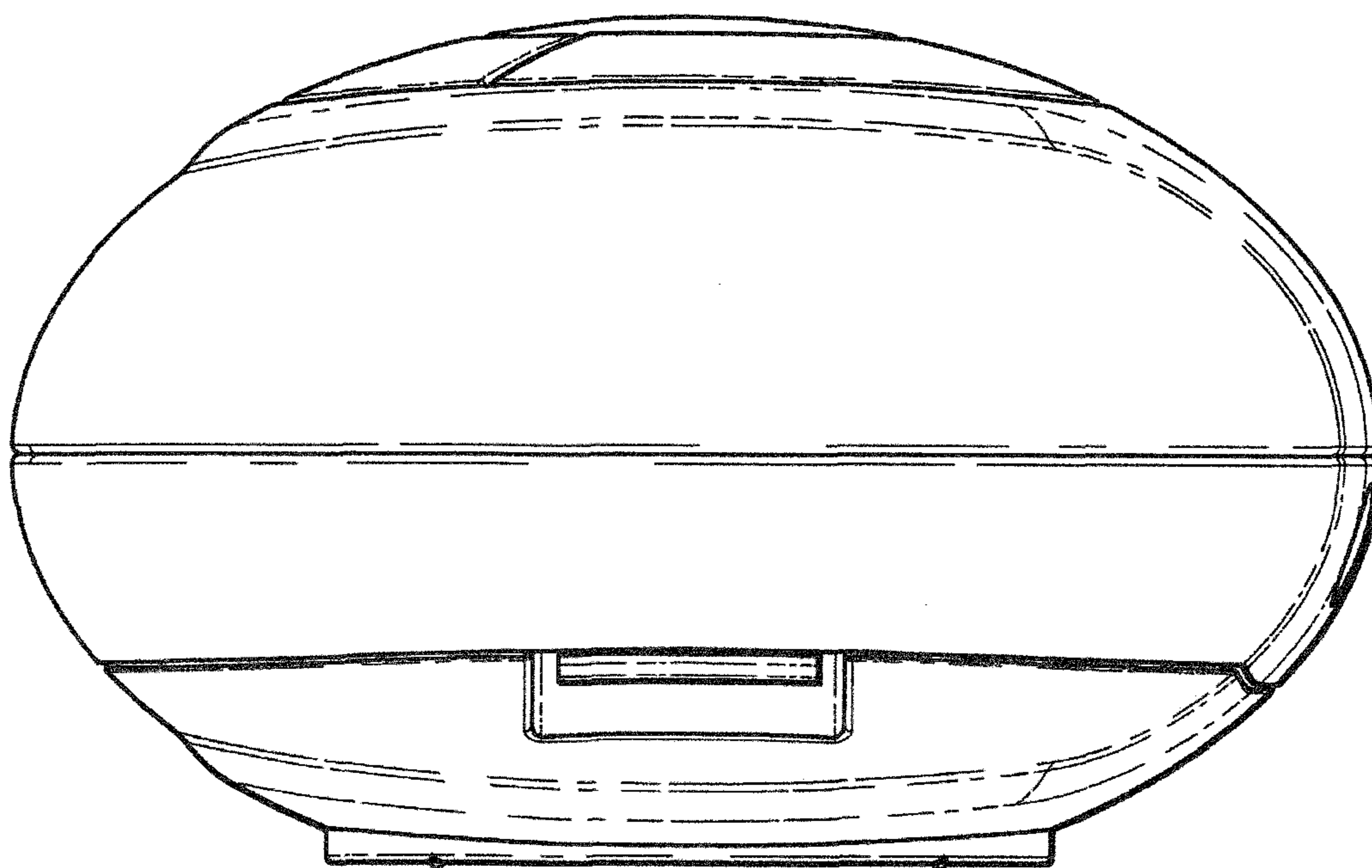


FIG. 4

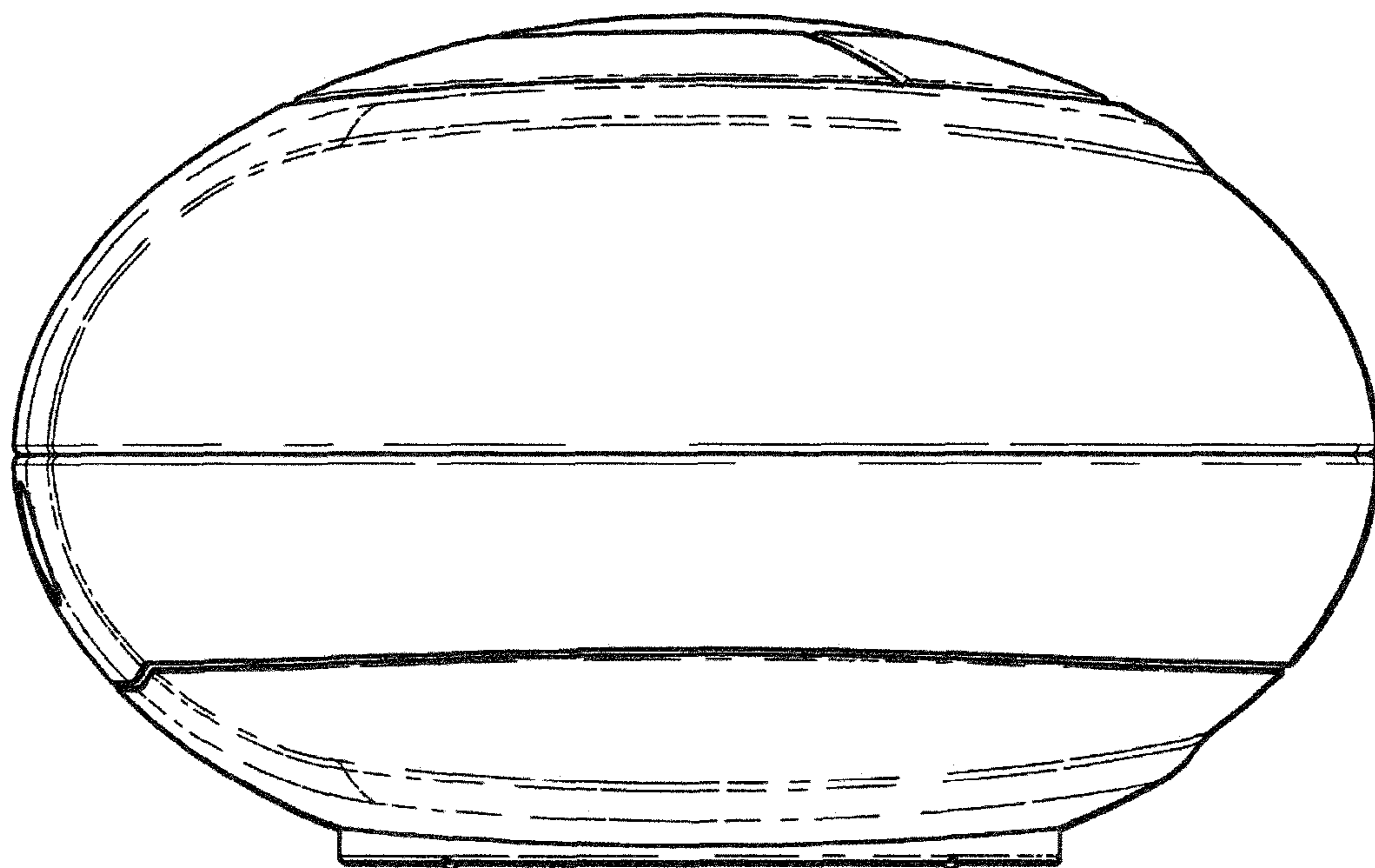


FIG. 5

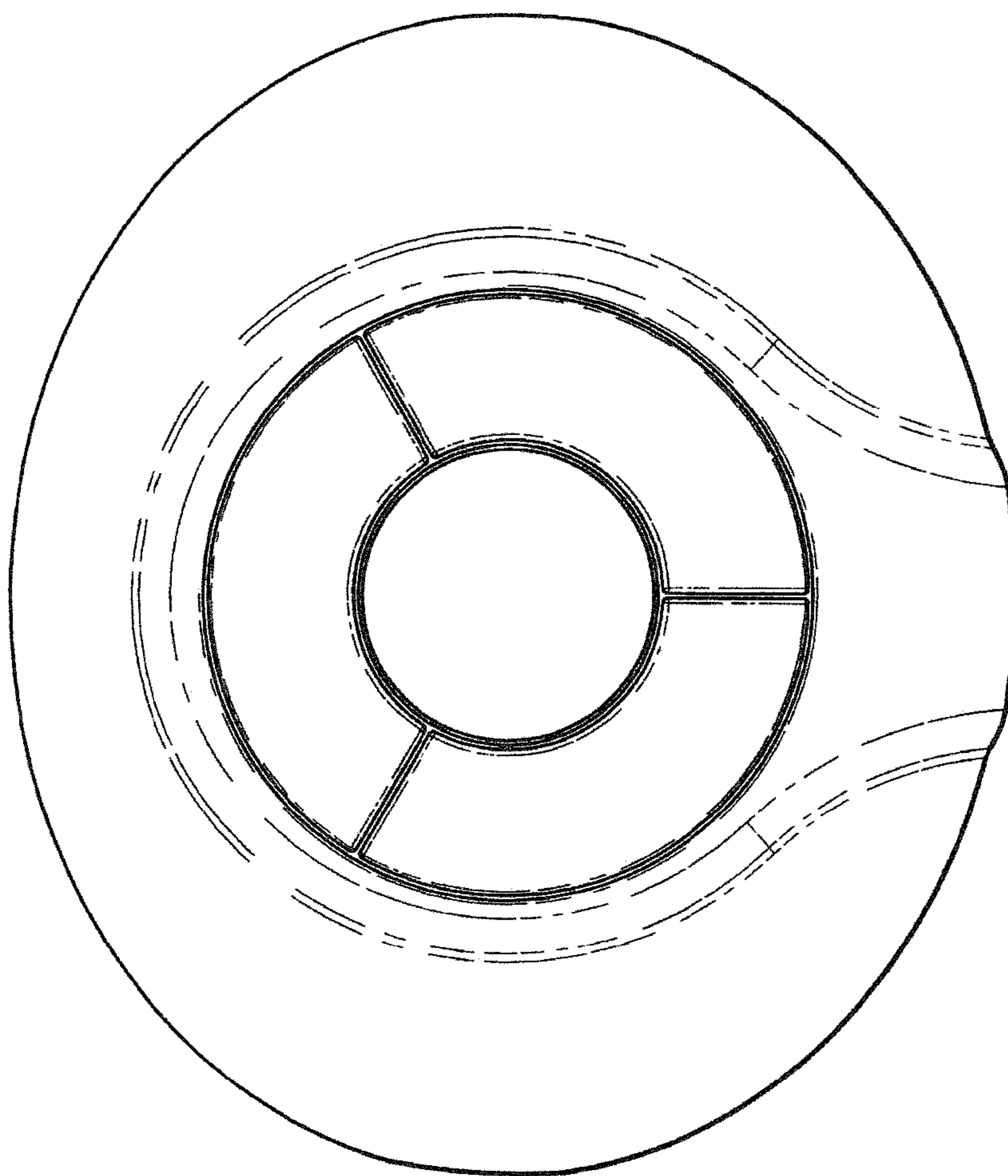


FIG. 6

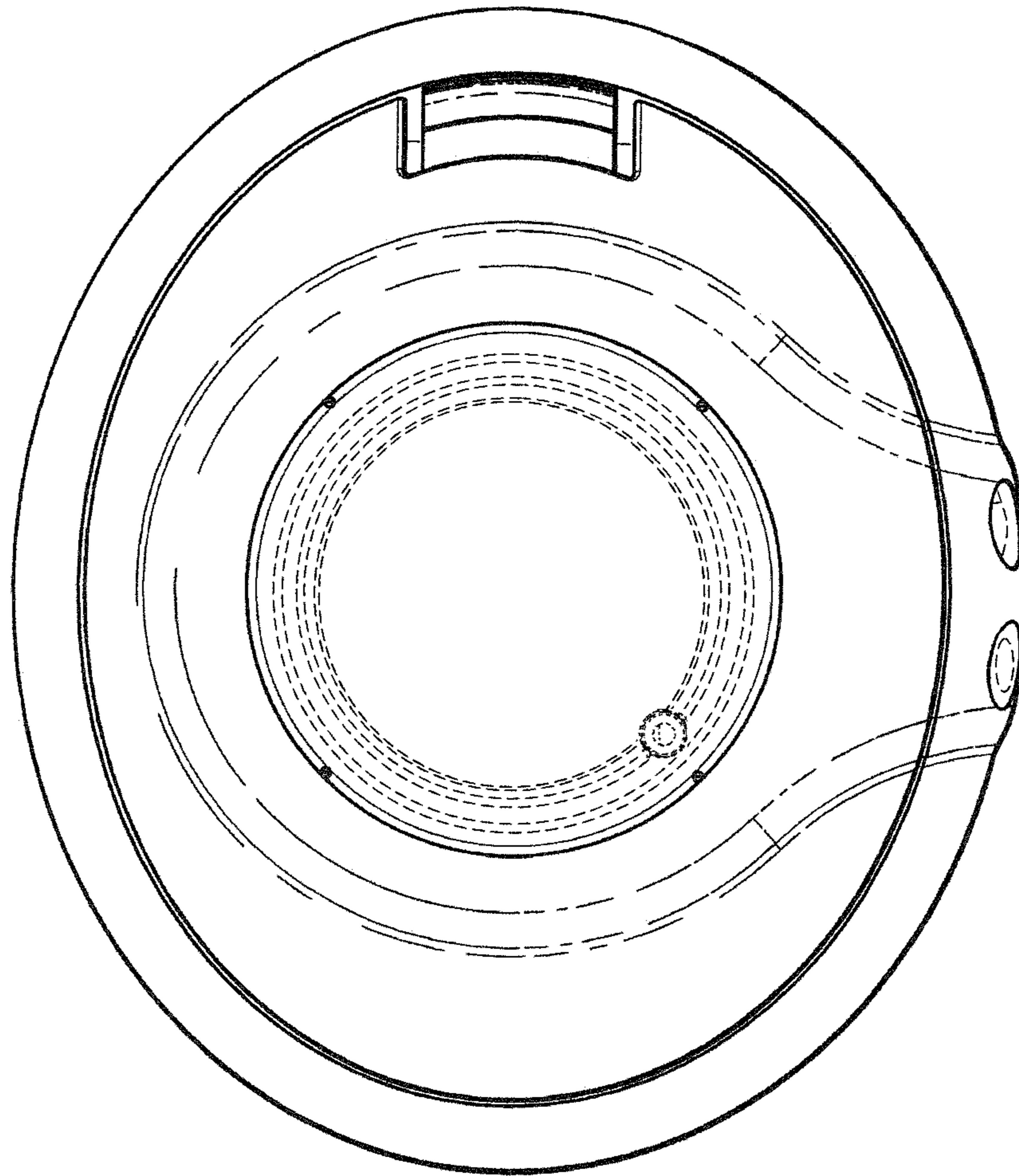


FIG. 7



UNITED STATES PATENT AND TRADEMARK OFFICE  
**CERTIFICATE OF CORRECTION**

PATENT NO. : D683,843 S  
APPLICATION NO. : 29/370181  
DATED : June 4, 2013  
INVENTOR(S) : Nicholas Cudworth

Page 1 of 1

It is certified that error appears in the above-identified patent and that said Letters Patent is hereby corrected as shown below:

On the Title Page, Item [30] should read

(30) Foreign Application Priority Data  
Dec. 15, 2009 (EM) .....001185342-0001

Signed and Sealed this  
Sixth Day of August, 2013



Teresa Stanek Rea  
*Acting Director of the United States Patent and Trademark Office*