



US00D683842S

(12) **United States Design Patent**
Wang

(10) **Patent No.:** **US D683,842 S**
(45) **Date of Patent:** **** Jun. 4, 2013**

(54) **TRANSPARENT FLOAT BODY UNIT
ADAPTABLE FOR INTRAVENOUS INFUSION
SETS**

(76) Inventor: **Hsien-Tsung Wang, Taipei (TW)**

(**) Term: **14 Years**

(21) Appl. No.: **29/371,777**

(22) Filed: **Sep. 21, 2011**

(51) **LOC (9) Cl.** **24-01**

(52) **U.S. Cl.**
USPC **D24/108**

(58) **Field of Classification Search**
USPC D24/107-108, 111-112, 127-129,
D24/164, 169, 186-186, 183-186; 128/DIG. 6;
137/87.01, 98, 122, 192, 397-399, 430; 604/30,
604/254, 127, 245, 253, 246-247, 257, 65
See application file for complete search history.

(56) **References Cited**

U.S. PATENT DOCUMENTS

3,034,504	A *	5/1962	Winsor et al.	604/254
3,216,419	A *	11/1965	Scislowicz	604/127
3,776,229	A *	12/1973	McPhee	604/127
4,078,563	A *	3/1978	Tuseth	604/127
4,361,147	A *	11/1982	Aslanian et al.	604/249
4,511,351	A *	4/1985	Theeuwes	604/246
5,415,325	A *	5/1995	Shu	604/254
5,505,707	A *	4/1996	Manzie et al.	604/131

5,575,779	A *	11/1996	Barry	604/246
5,730,730	A *	3/1998	Darling, Jr.	604/246
6,336,912	B1 *	1/2002	Bourguignon	604/65
6,569,116	B1 *	5/2003	Wang	604/127
8,328,770	B2 *	12/2012	Wang	604/254
2005/0283123	A1 *	12/2005	Lyde et al.	604/254
2011/0218501	A1 *	9/2011	Wang et al.	604/254

* cited by examiner

Primary Examiner — Wan Laymon

(57) **CLAIM**

The ornamental design for a transparent float body unit adaptable for intravenous infusion sets, as shown and described.

DESCRIPTION

FIG. 1 is a perspective view showing my new design for a transparent float body unit adaptable for intravenous infusion sets;

FIG. 2 is a front view thereof;

FIG. 3 is a rear view thereof;

FIG. 4 is a left view thereof;

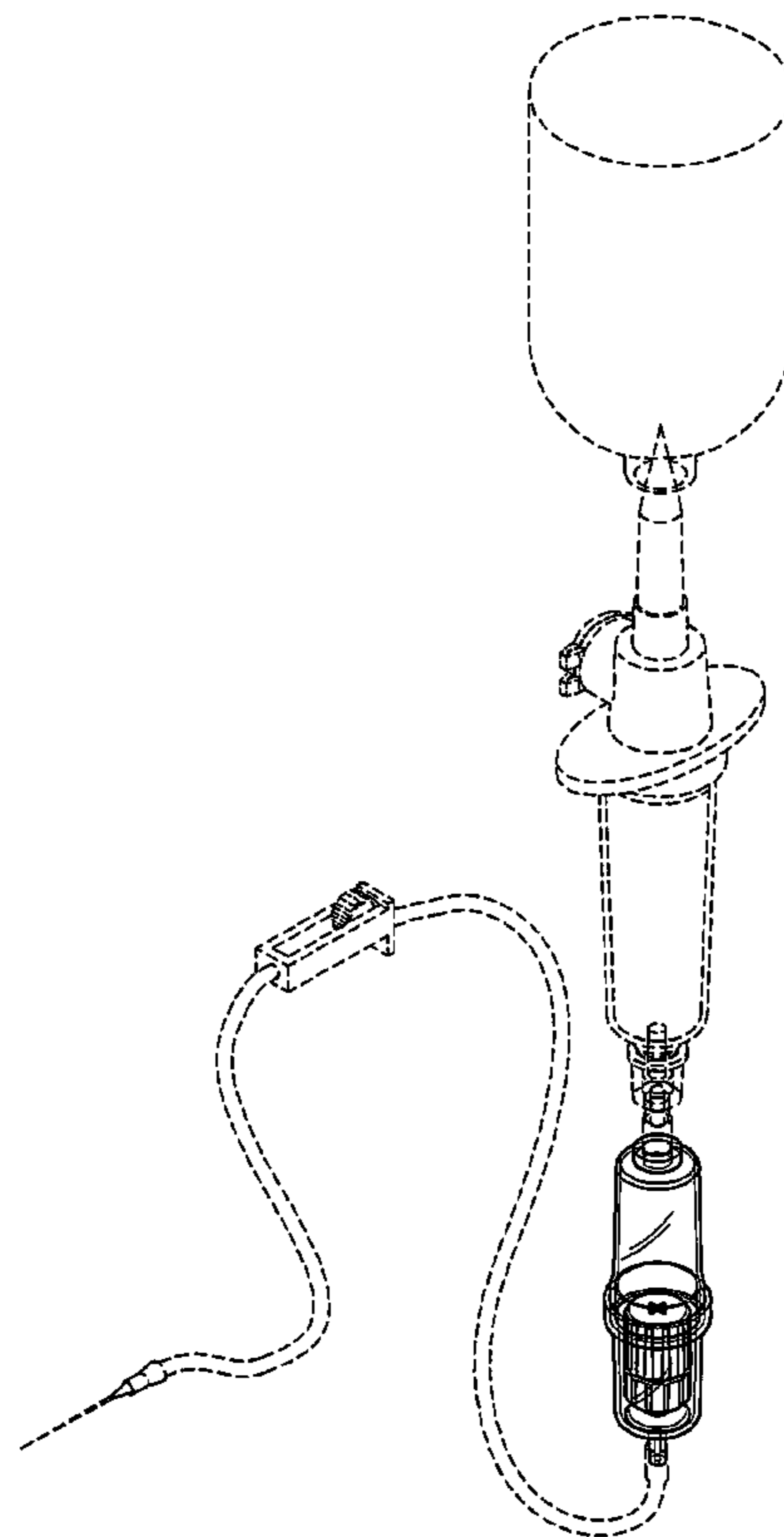
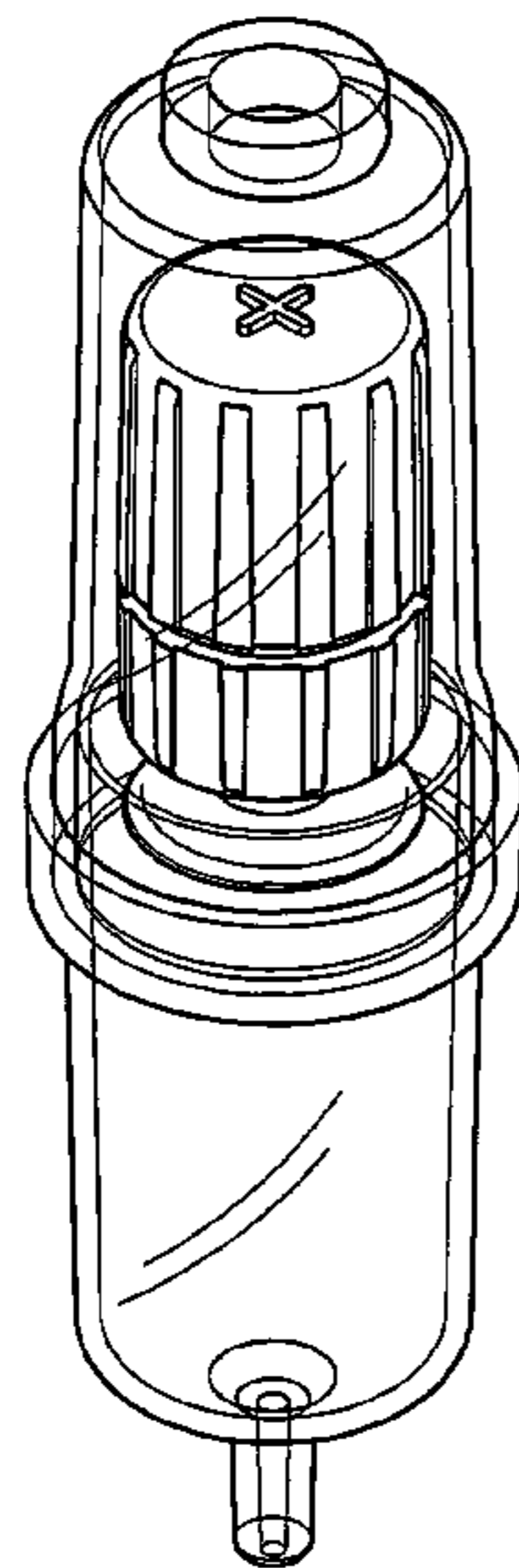
FIG. 5 is a right view thereof;

FIG. 6 is a top view thereof;

FIG. 7 is a bottom view thereof; and,

FIG. 8 and FIG. 9 are perspective views of the float body for intravenous infusion set of this invention using in two types of flow regulator, the broken line showing the float body for intravenous infusion set in FIGS. 8 and 9 forms no part of the claimed design.

1 Claim, 8 Drawing Sheets



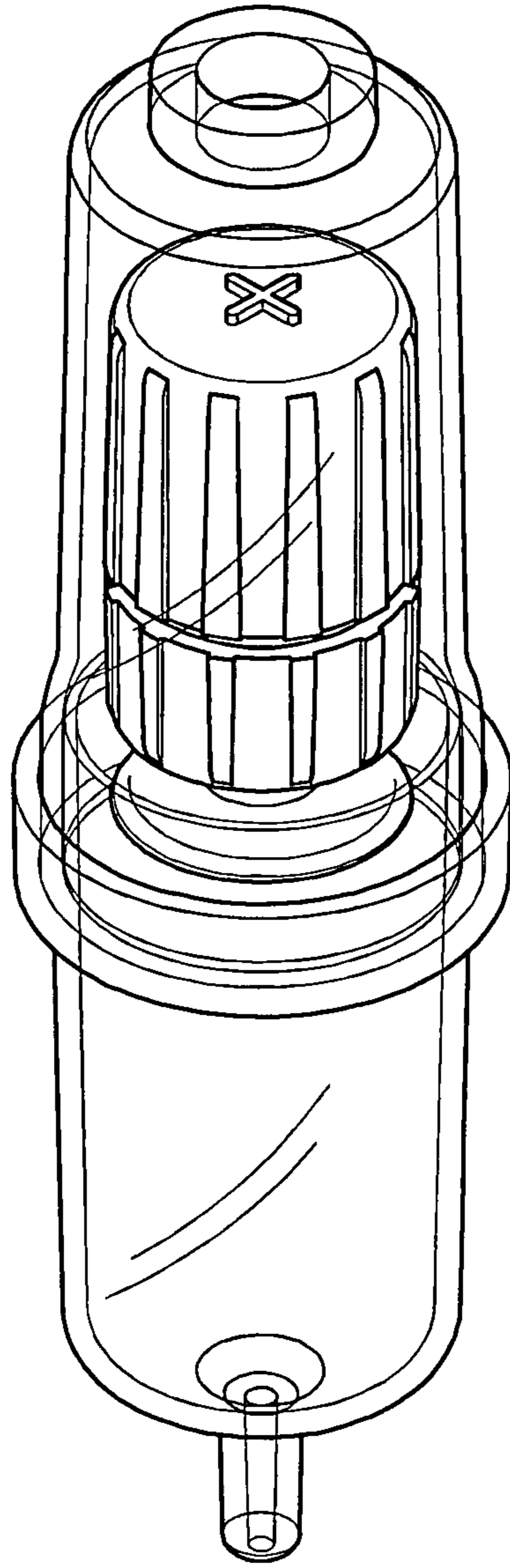


FIG.1

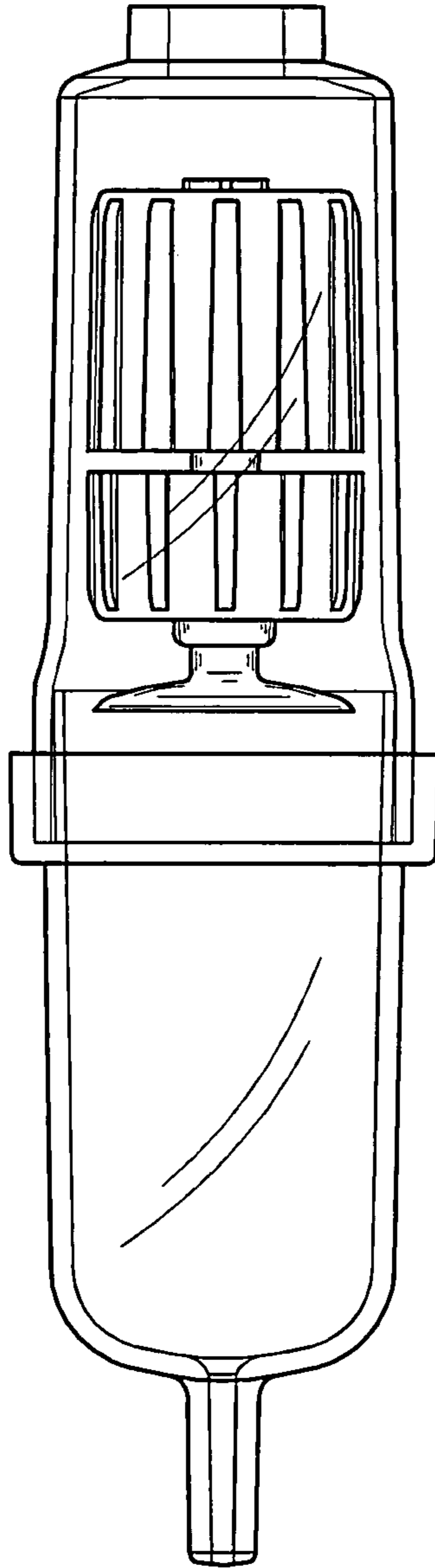


FIG.2

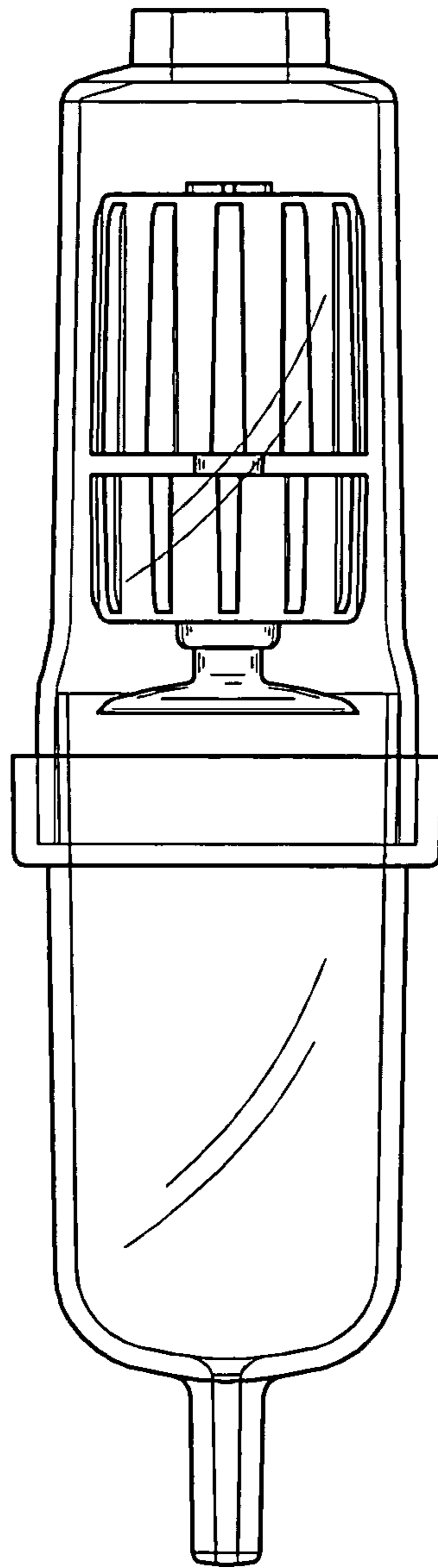


FIG.3

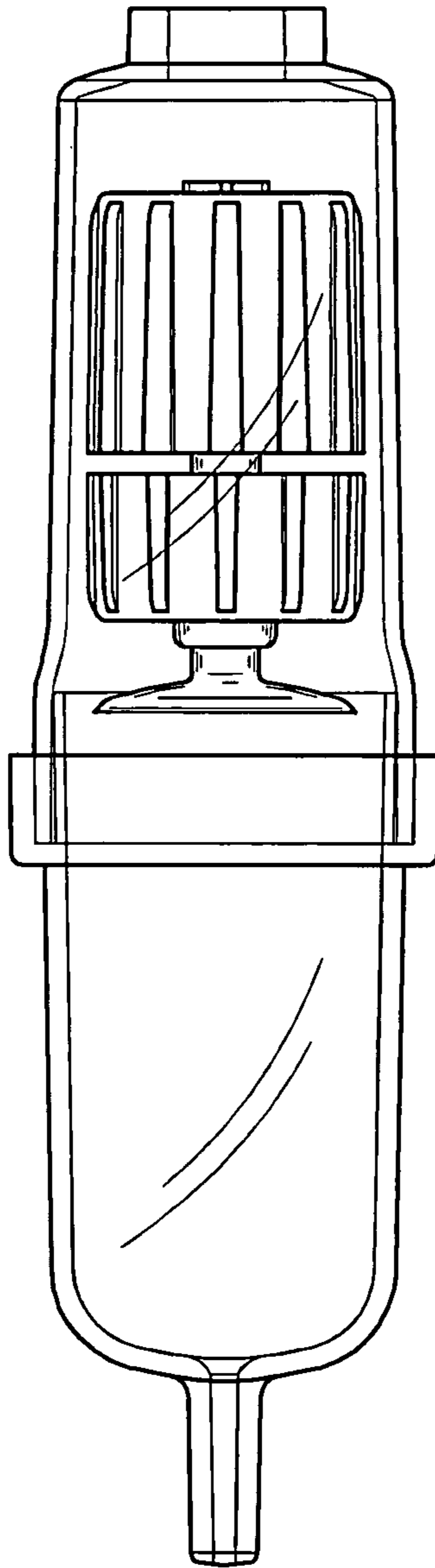


FIG.4

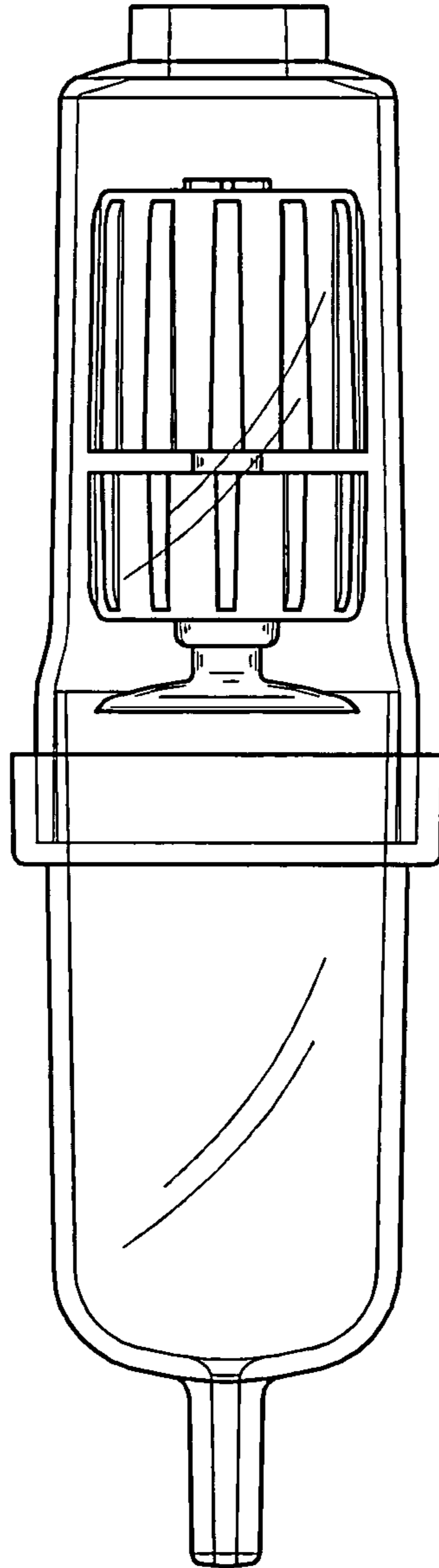


FIG.5

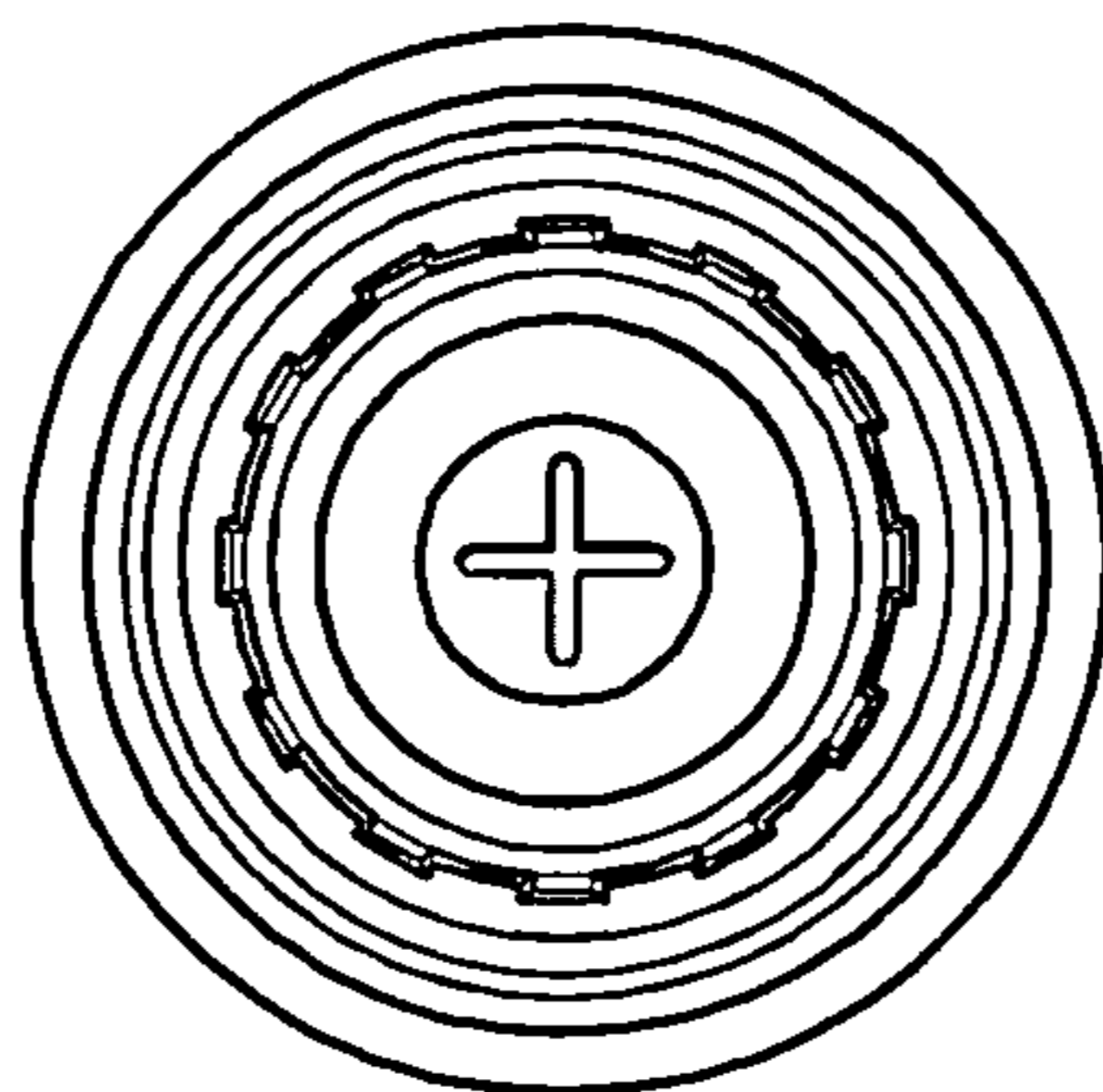


FIG. 6

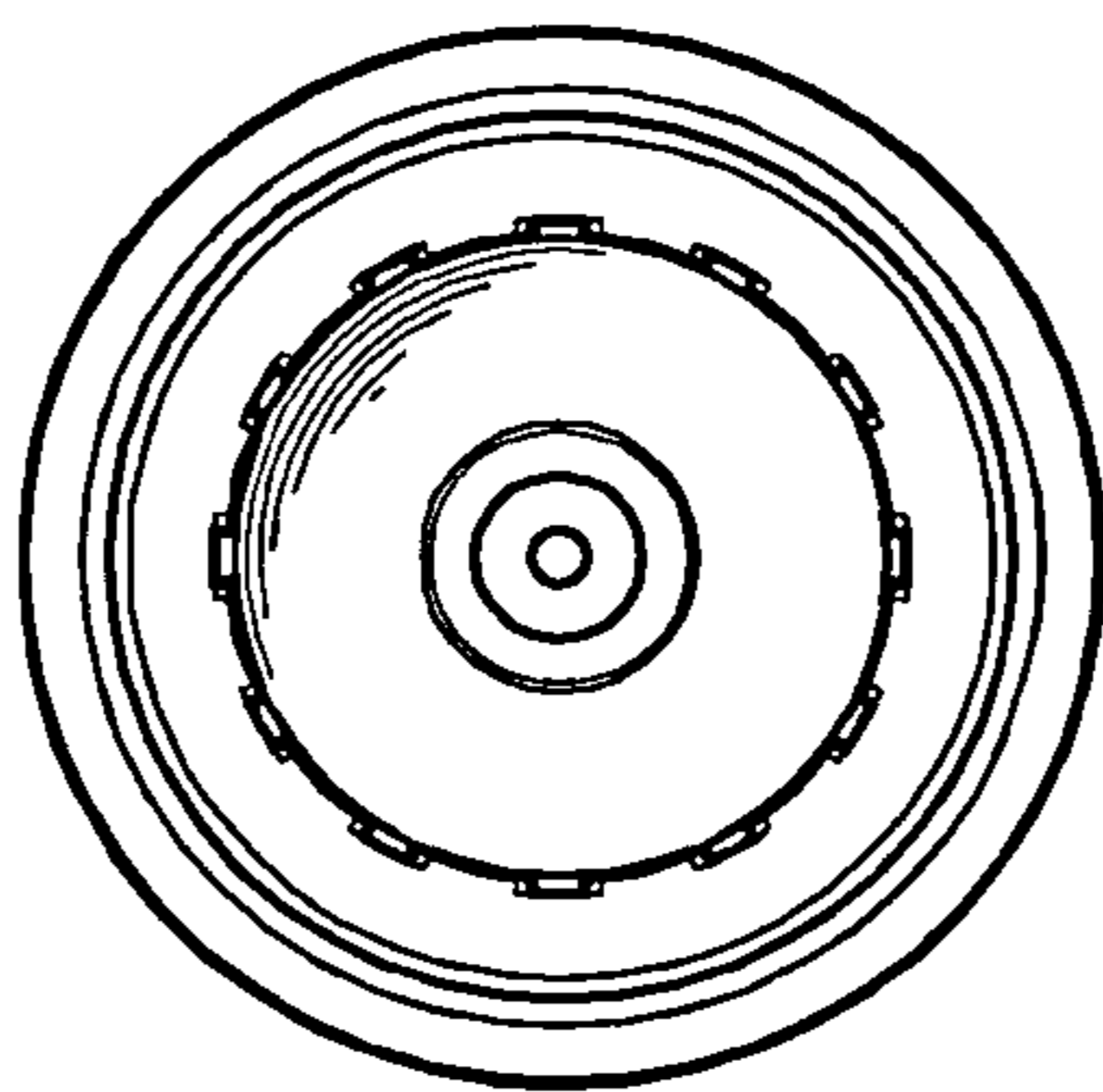


FIG. 7

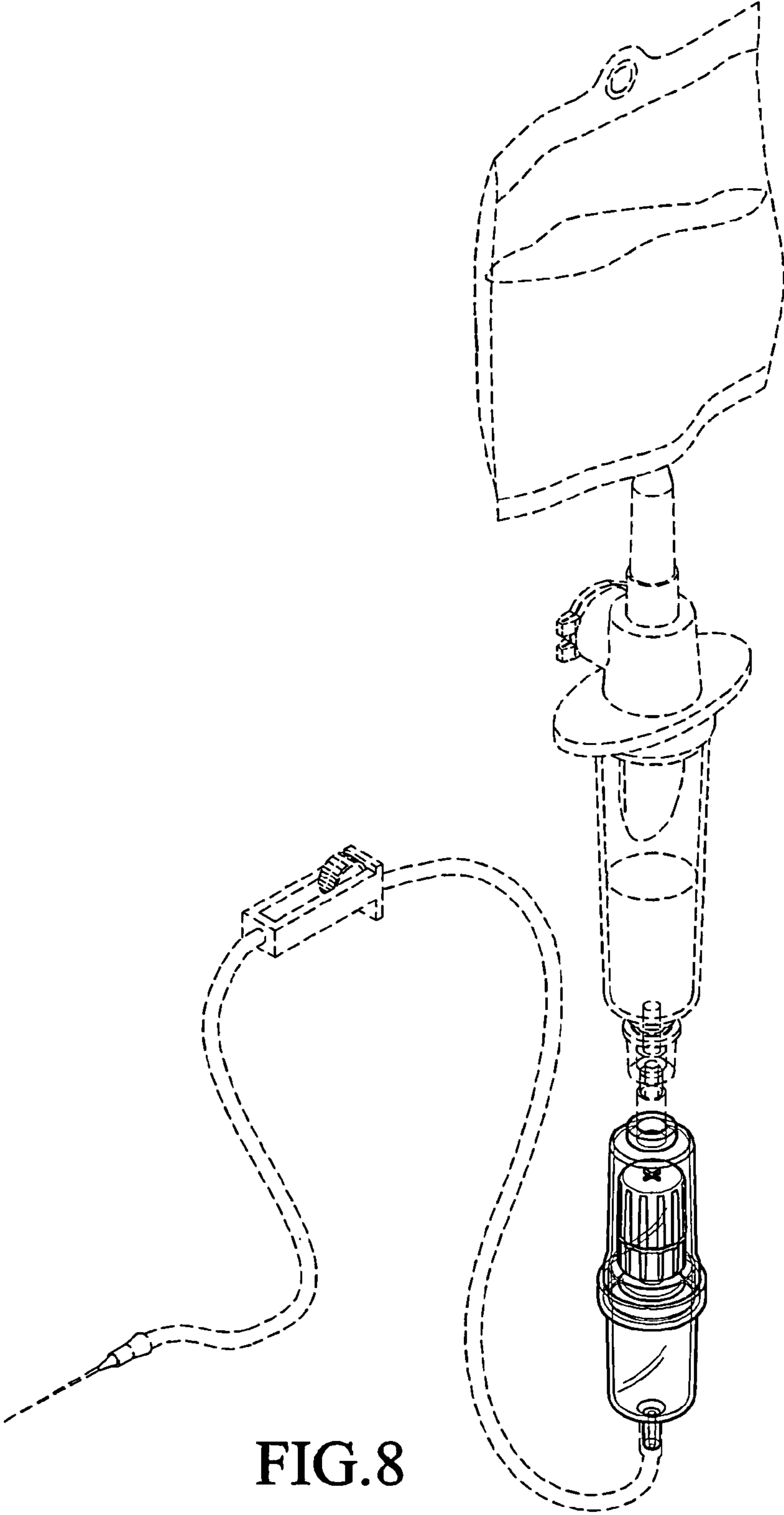


FIG. 8

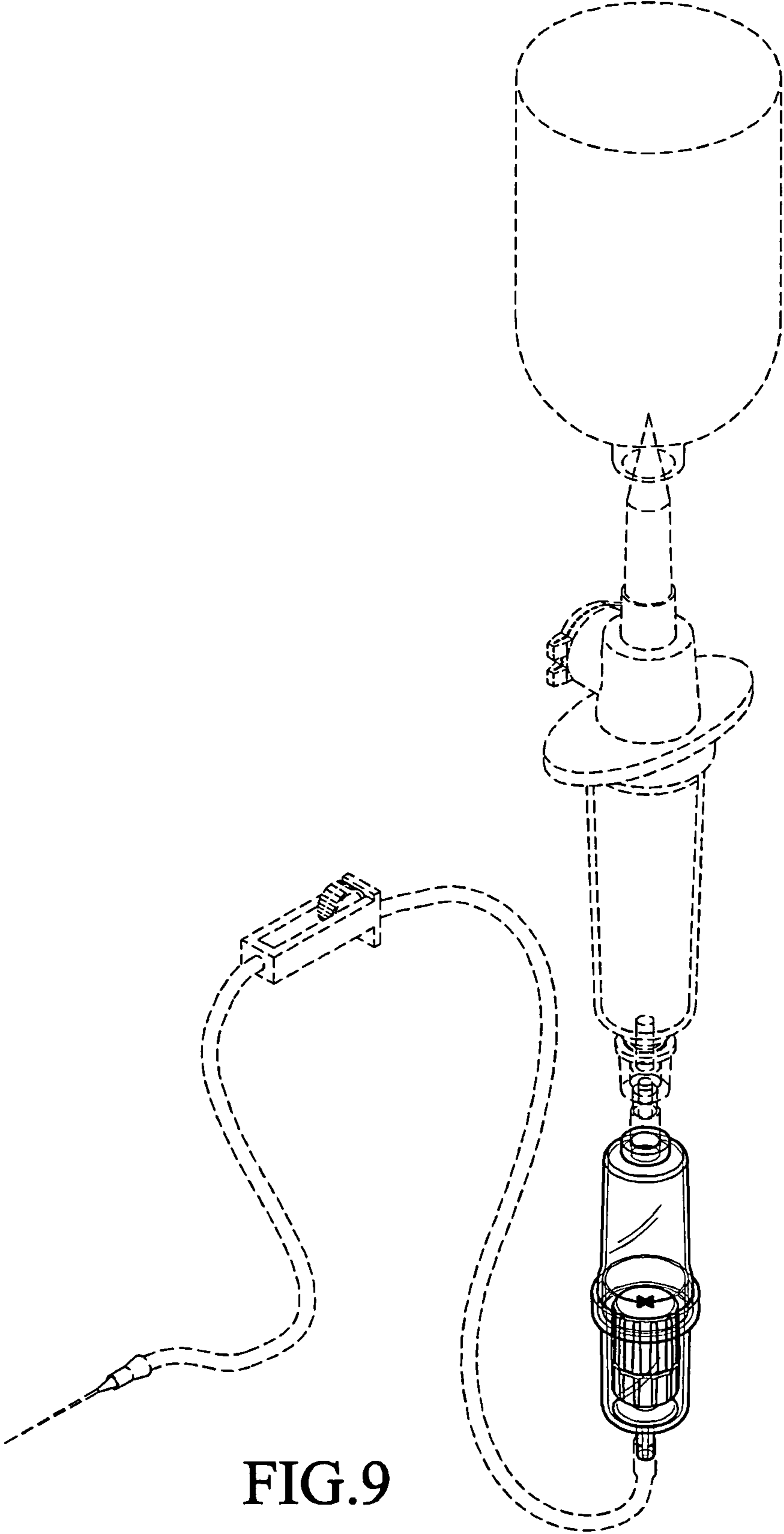


FIG. 9