



US00D683839S

(12) **United States Design Patent**
Yamashita

(10) **Patent No.:** **US D683,839 S**
(45) **Date of Patent:** **** Jun. 4, 2013**

(54) **AIR PURIFIER**

(71) Applicant: **Daikin Industries Ltd.**, Osaka (JP)

(72) Inventor: **Mana Yamashita**, Kusatsu (JP)

(73) Assignee: **Daikin Industries Ltd.**, Osaka-Shi (JP)

(**) Term: **14 Years**

(21) Appl. No.: **29/421,907**

(22) Filed: **Oct. 16, 2012**

(30) **Foreign Application Priority Data**

Aug. 6, 2012 (JP) 2012-018745

(51) **LOC (9) Cl.** **23-04**

(52) **U.S. Cl.**
USPC **D23/364**

(58) **Field of Classification Search**
USPC D23/355-366, 352, 369, 332, 333,
D23/335, 336, 342, 351; 422/120, 122; 55/356,
55/473, 504; 96/97; D14/188, 170, 172;
261/DIG. 17, DIG. 65, DIG. 88, DIG. 31;
D18/34.6

See application file for complete search history.

(56) **References Cited**

U.S. PATENT DOCUMENTS

D465,567 S * 11/2002 Choi D23/364
D549,811 S * 8/2007 Chen D23/359

D566,819 S * 4/2008 Chiu D23/333
D577,800 S * 9/2008 Yoon D23/359
D586,451 S * 2/2009 Murai D23/364
D595,825 S * 7/2009 Ohta et al. D23/364
D599,456 S * 9/2009 Choi D23/364
D604,401 S * 11/2009 Chun et al. D23/359
D608,433 S * 1/2010 Murai et al. D23/364
D613,386 S * 4/2010 Niki et al. D23/364
D643,520 S * 8/2011 Choi D23/364
D658,280 S * 4/2012 Niki et al. D23/364
D662,577 S * 6/2012 Nakamura et al. D23/364

* cited by examiner

Primary Examiner — David Muller

(74) *Attorney, Agent, or Firm* — Manabu Kanesaka

(57) **CLAIM**

The ornamental design for an air purifier, as shown and described.

DESCRIPTION

FIG. 1 is a perspective view of an air purifier showing my new design;

FIG. 2 is a front view thereof;

FIG. 3 is a rear view thereof;

FIG. 4 is a left side view thereof;

FIG. 5 is a right side view thereof;

FIG. 6 is a plan view thereof;

FIG. 7 is a bottom view thereof; and,

FIG. 8 is a cross-sectional view thereof along the line 8-8 in FIG. 2.

The broken lines depict portions of the air purifier that form no part of claimed design.

1 Claim, 7 Drawing Sheets

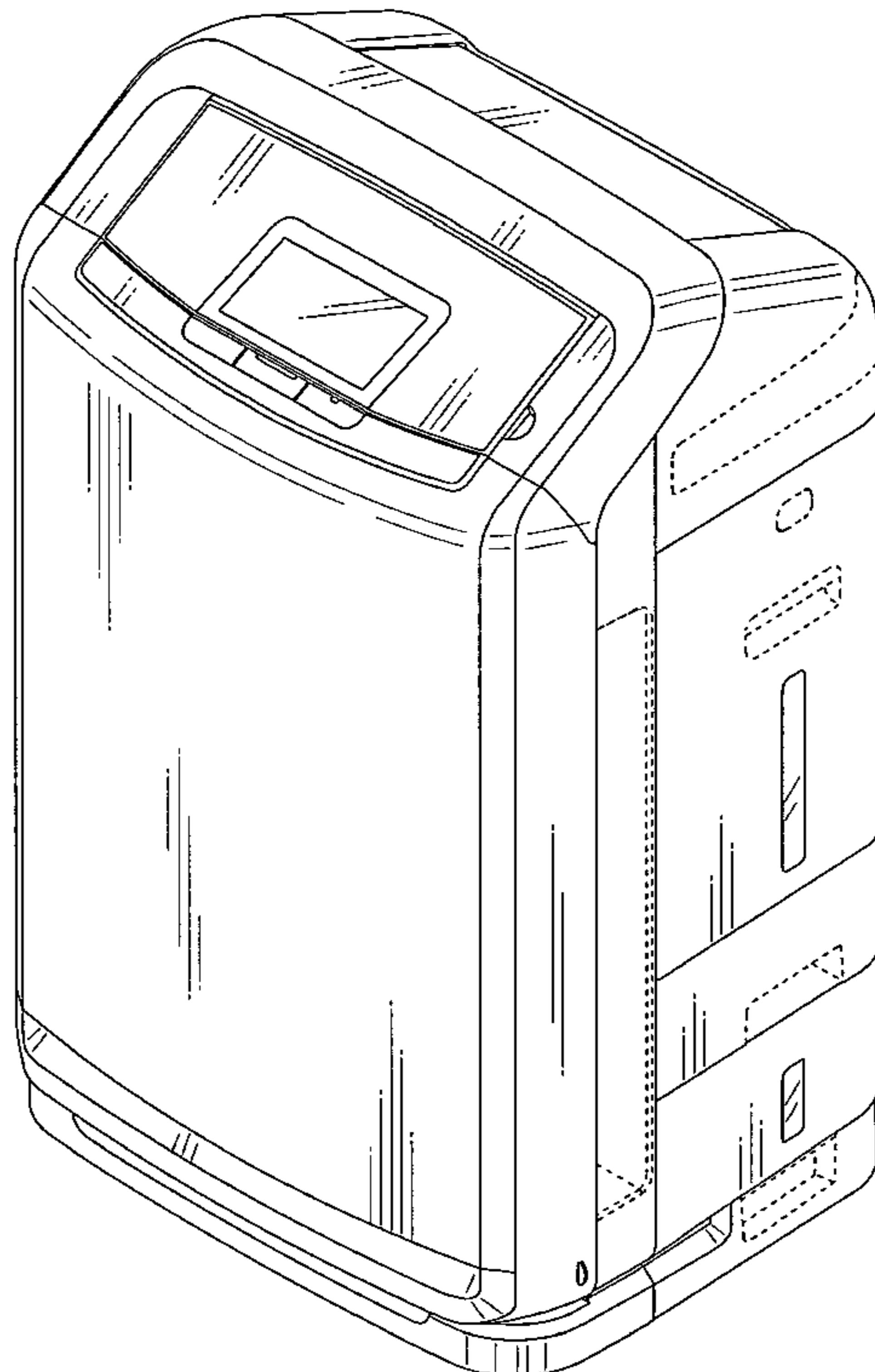


Fig. 1

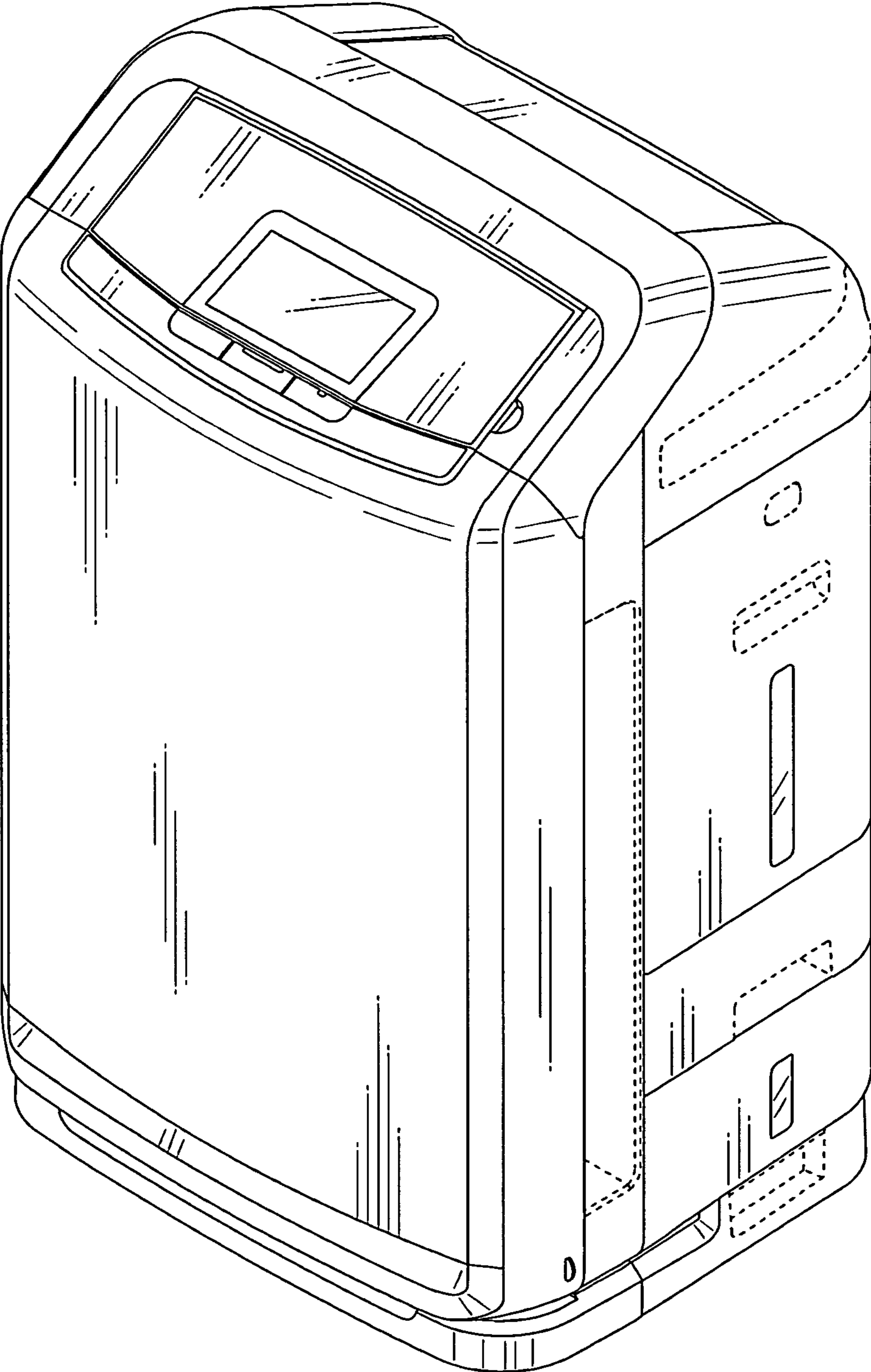
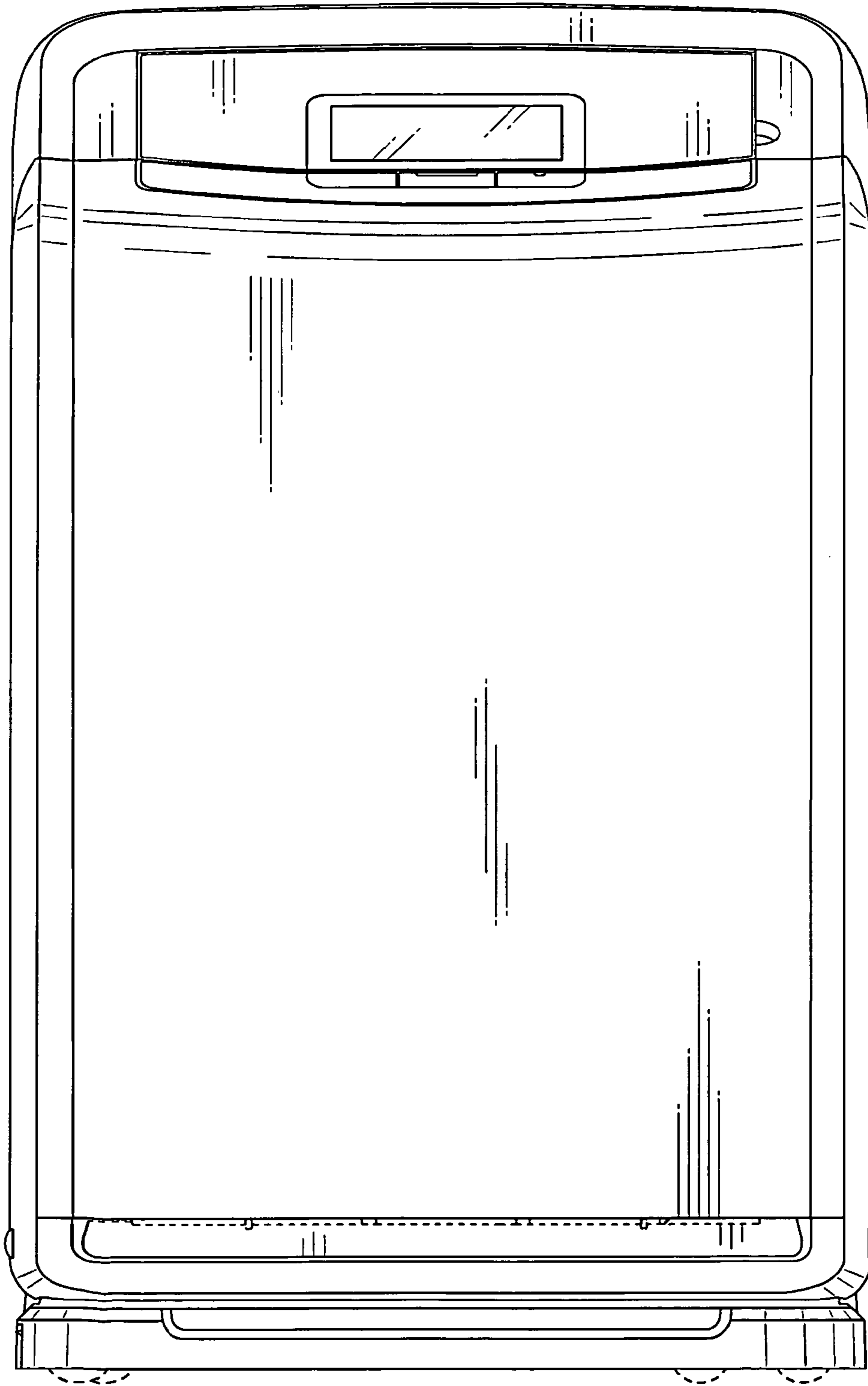


Fig. 2

8 ←



8 ←

Fig. 3

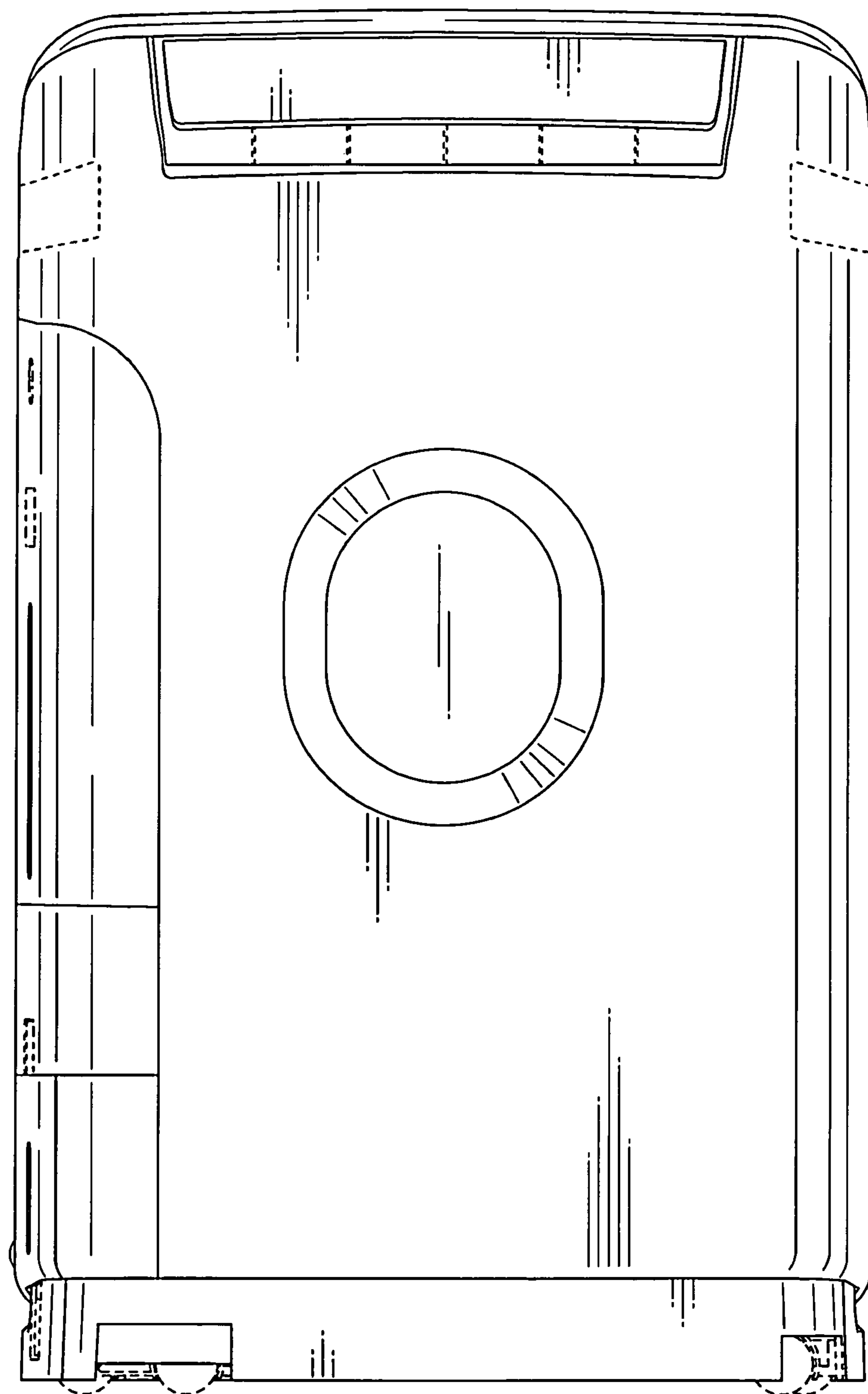


Fig. 4

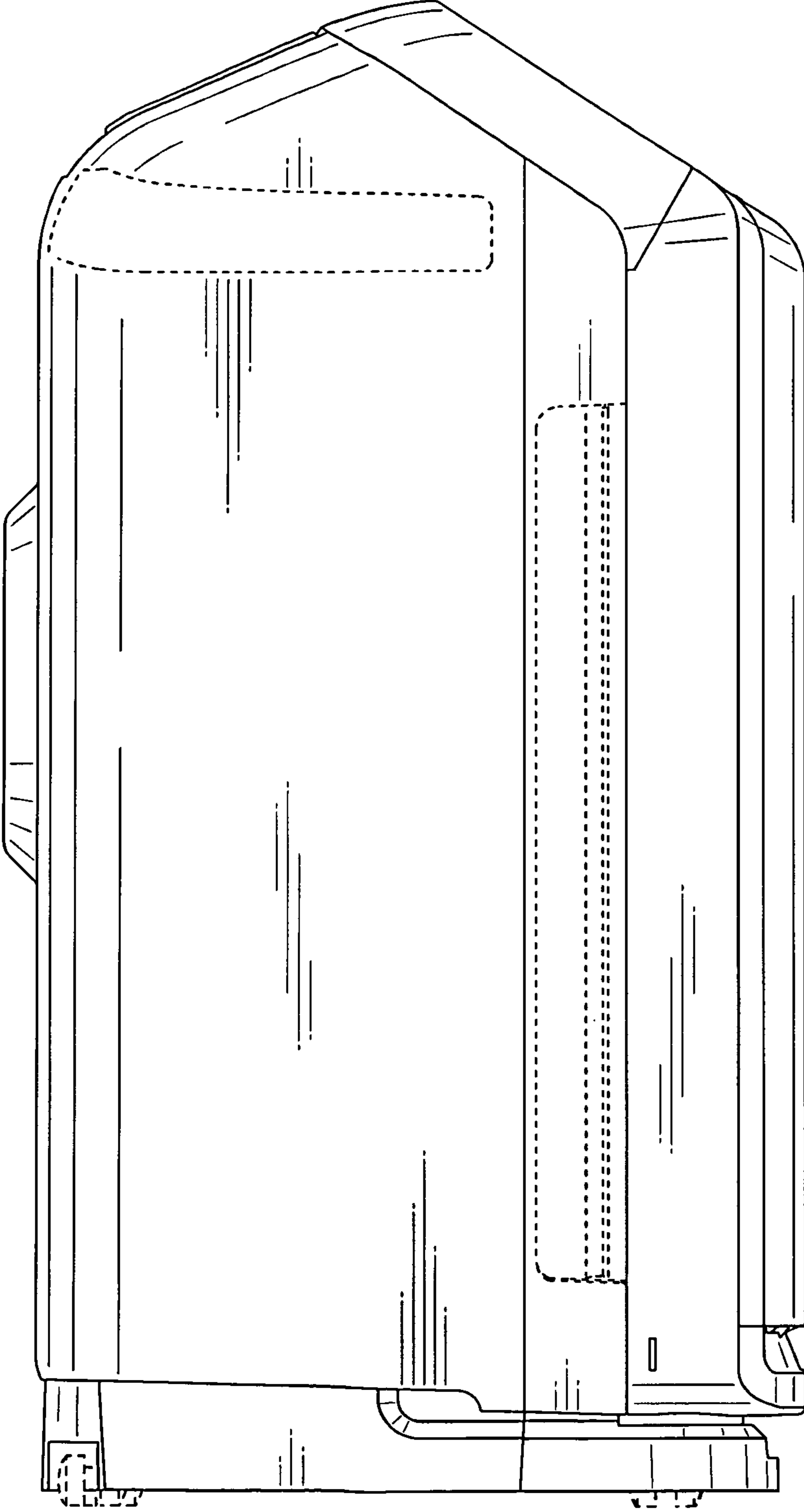


Fig. 5

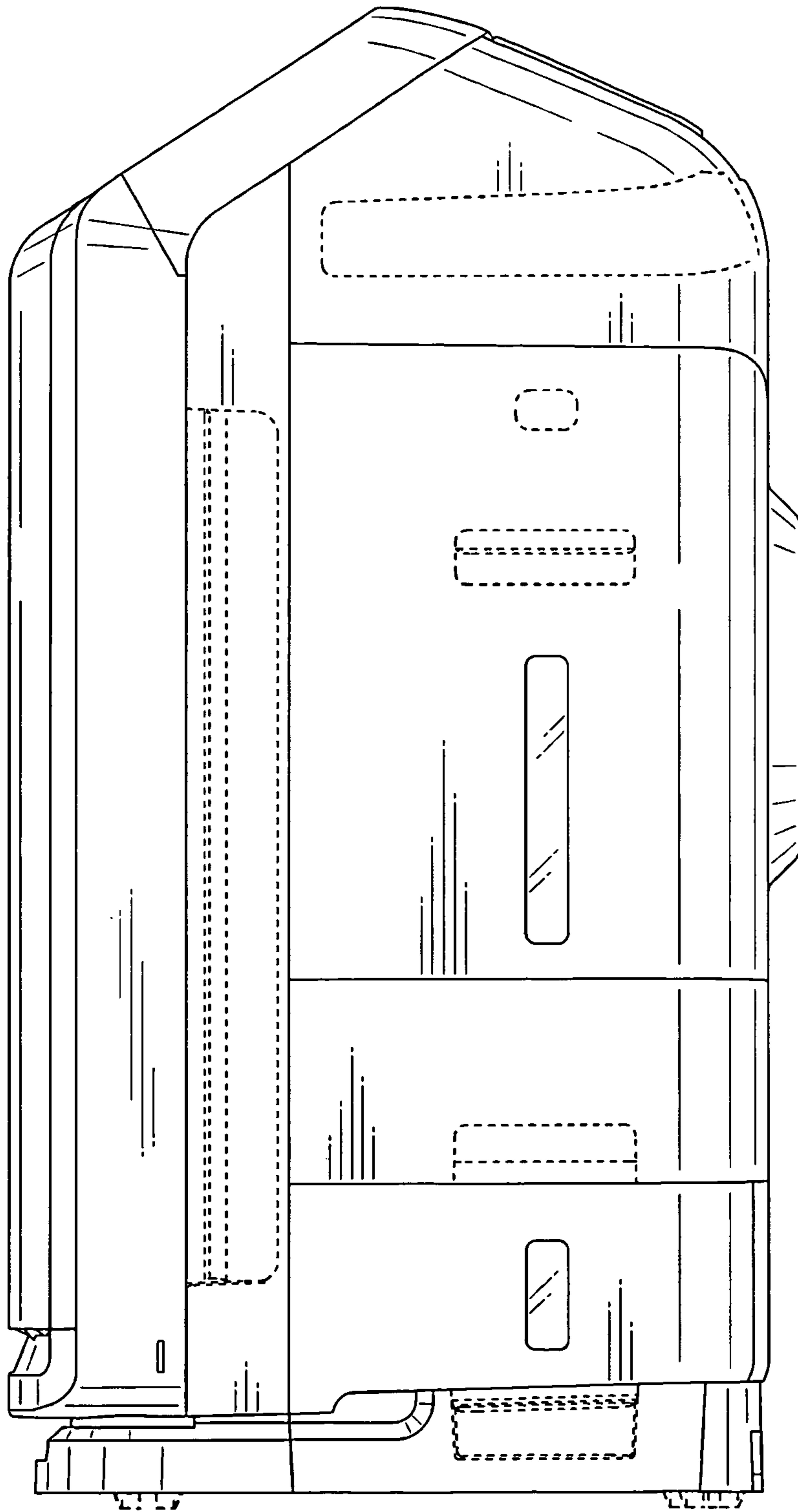


Fig. 6

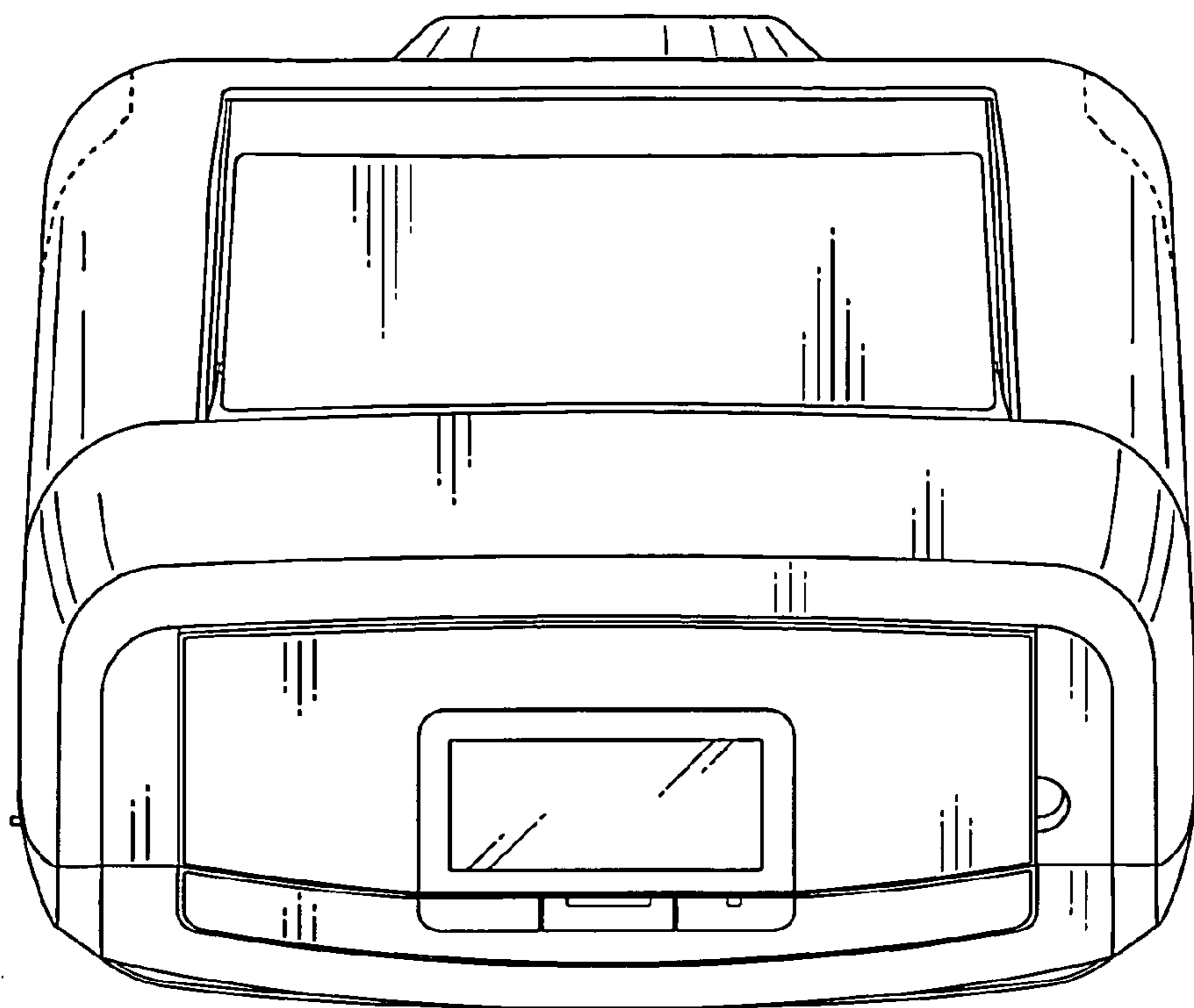


Fig. 7

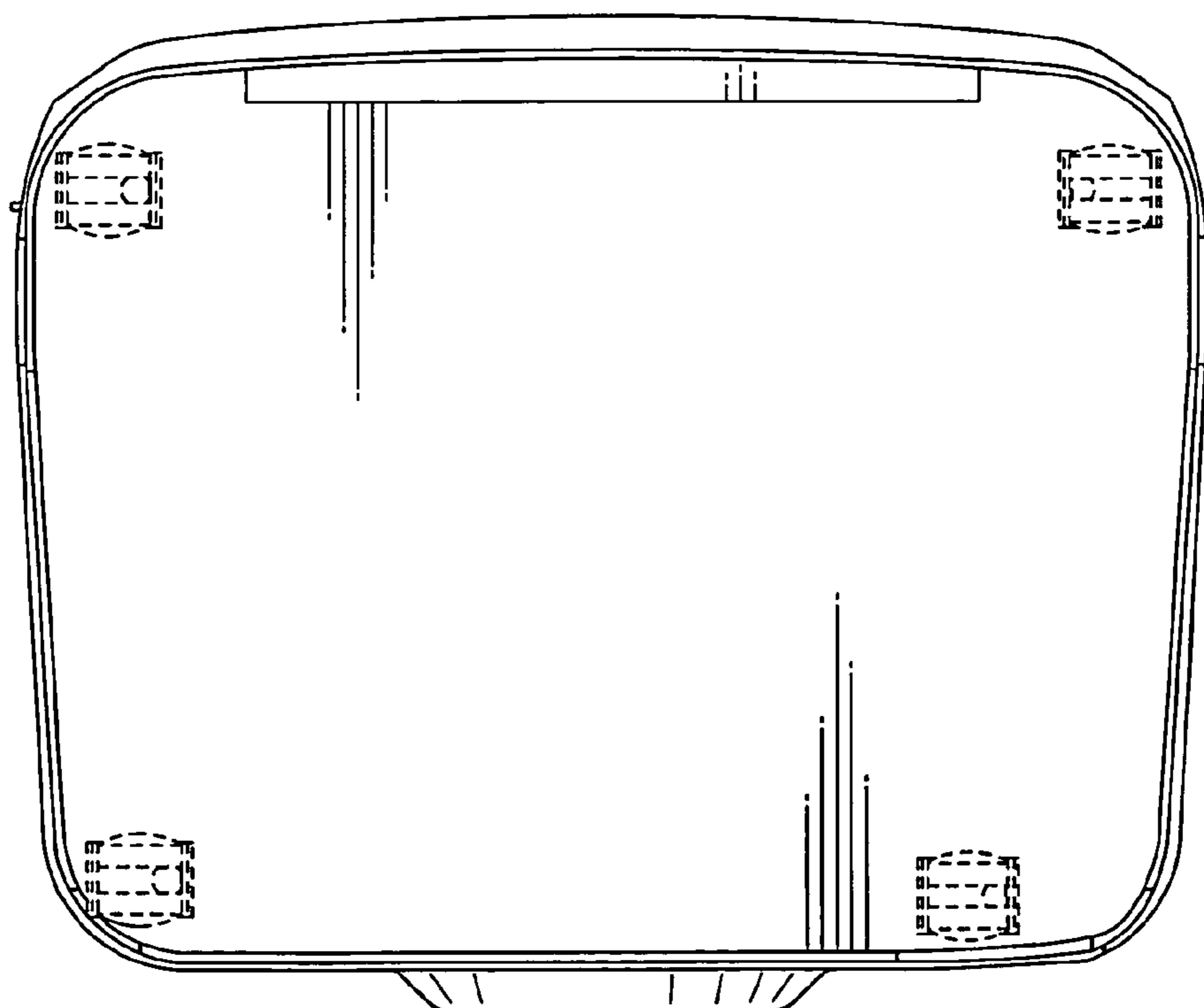


Fig. 8

