



US00D683837S

(12) **United States Design Patent**
Kim et al.

(10) **Patent No.:** **US D683,837 S**
(45) **Date of Patent:** **** Jun. 4, 2013**

(54) **CEILING AIR CONDITIONER**

(56) **References Cited**

(75) Inventors: **Myungshik Kim**, Seoul (KR); **Huijae Kwon**, Seoul (KR); **Taehyun Sung**, Seoul (KR); **Eugene Suh**, Seoul (KR); **Sunyoung Jang**, Seoul (KR); **Minha Lee**, Seoul (KR)

U.S. PATENT DOCUMENTS

D539,888 S *	4/2007	Tsuji	D23/351
D553,720 S *	10/2007	Kato	D23/351
D553,727 S *	10/2007	Kato et al.	D23/351
D579,094 S *	10/2008	Motonishi et al.	D23/351
D603,031 S *	10/2009	Kashimoto	D23/351
D621,491 S *	8/2010	Tsuji	D23/351

(73) Assignee: **LG Electronics Inc.**, Seoul (KR)

* cited by examiner

(**) Term: **14 Years**

Primary Examiner — Brian N Vinson

(21) Appl. No.: **29/423,213**

(74) *Attorney, Agent, or Firm* — Morgan, Lewis & Bockius LLP

(22) Filed: **May 30, 2012**

(57) **CLAIM**

The ornamental design for a ceiling air conditioner, as shown and described.

(30) **Foreign Application Priority Data**

DESCRIPTION

Dec. 2, 2011 (KR) 30-2011-0051170

FIG. 1 is a front, right side, perspective view of a ceiling air conditioner showing our new design; FIG. 2 is a front view thereof; FIG. 3 is a rear view thereof; FIG. 4 is a left side view thereof; FIG. 5 is a right side view thereof; FIG. 6 is a top view thereof; and, FIG. 7 is a bottom view thereof.

(51) **LOC (9) Cl.** **23-04**

(52) **U.S. Cl.**
USPC **D23/351**

(58) **Field of Classification Search**
USPC . D23/351-354, 385, 388; 312/236; 62/259.1, 62/259.4, 262-263, 304; 454/330-331, 349-350
See application file for complete search history.

1 Claim, 4 Drawing Sheets

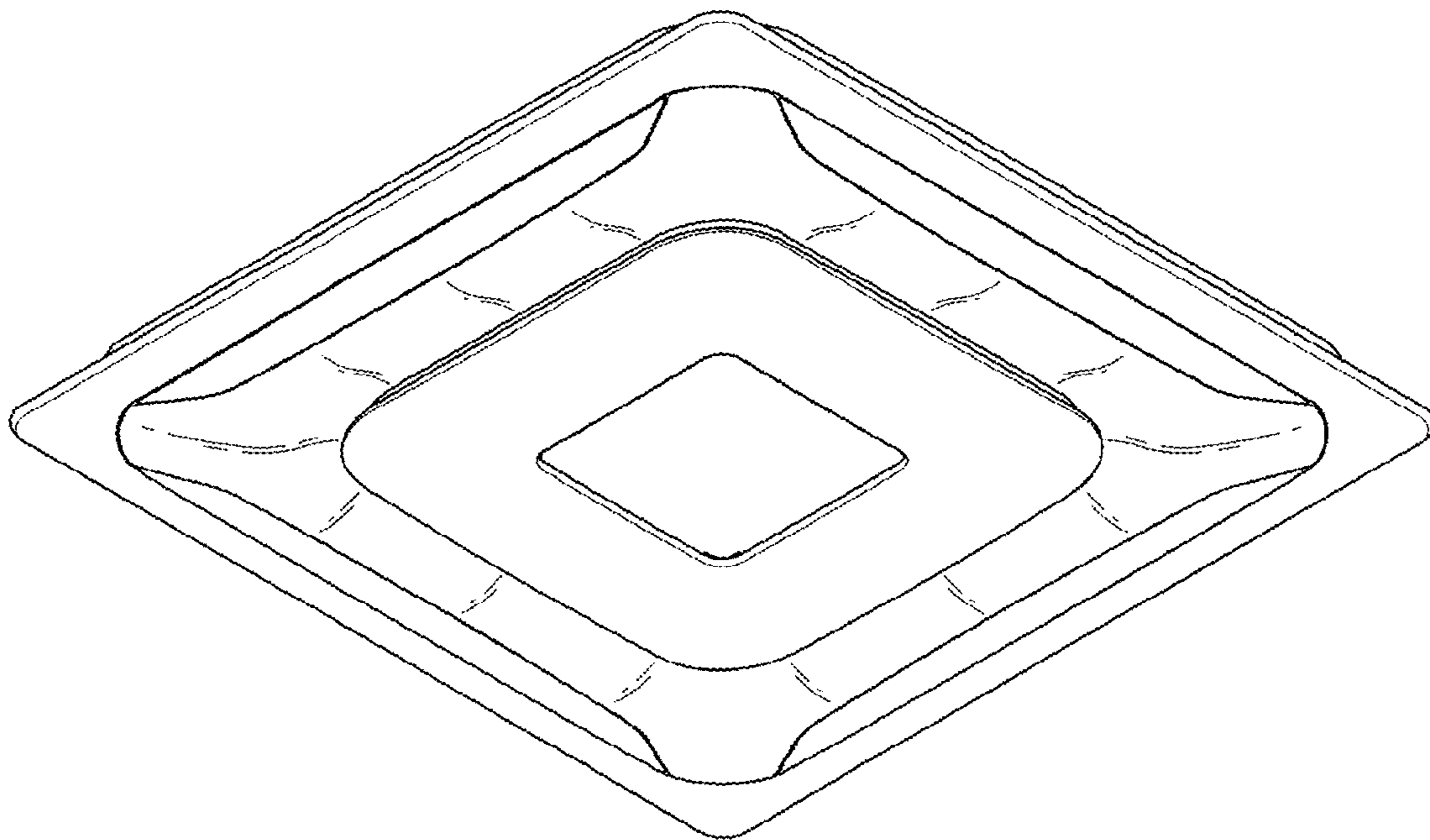


FIG. 1

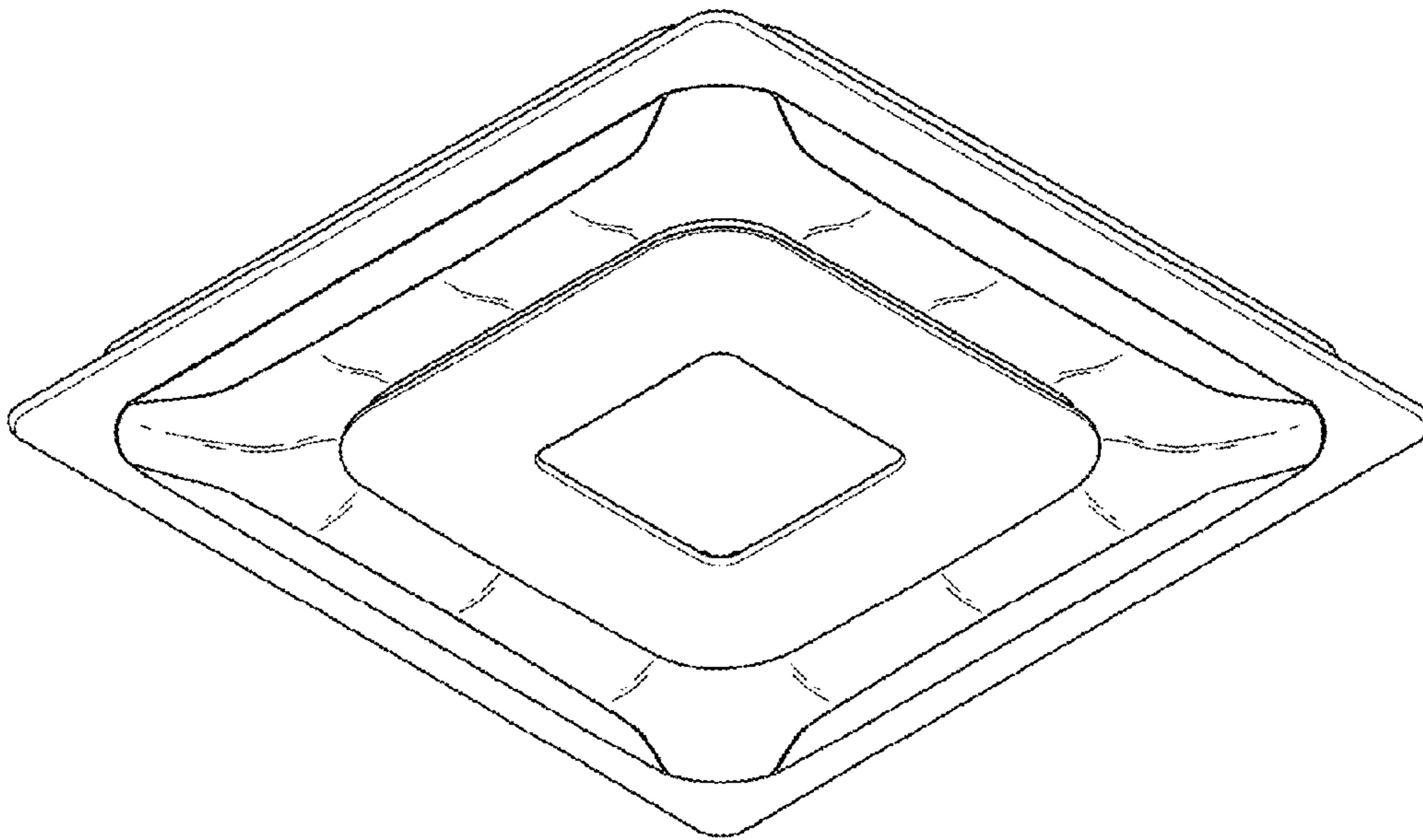


FIG. 2



FIG. 3



FIG. 4

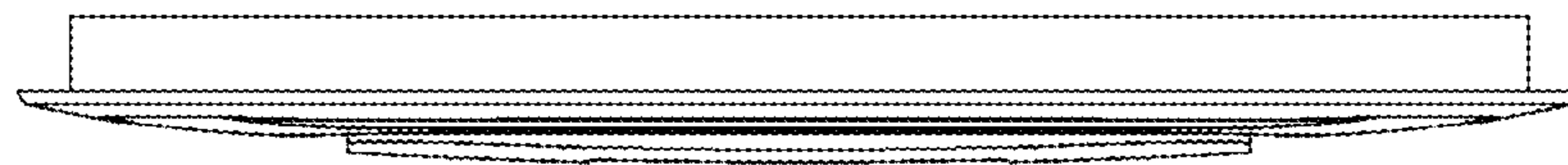


FIG. 5

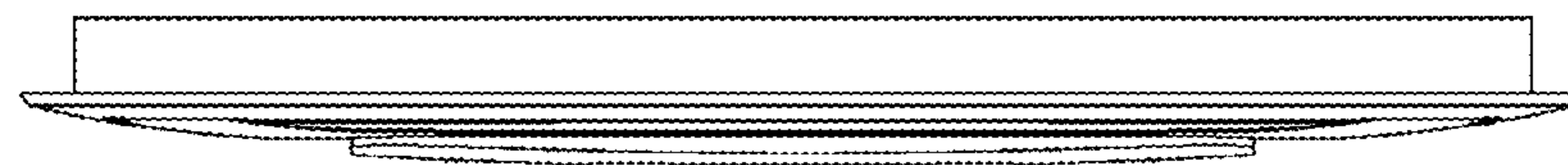


FIG. 6

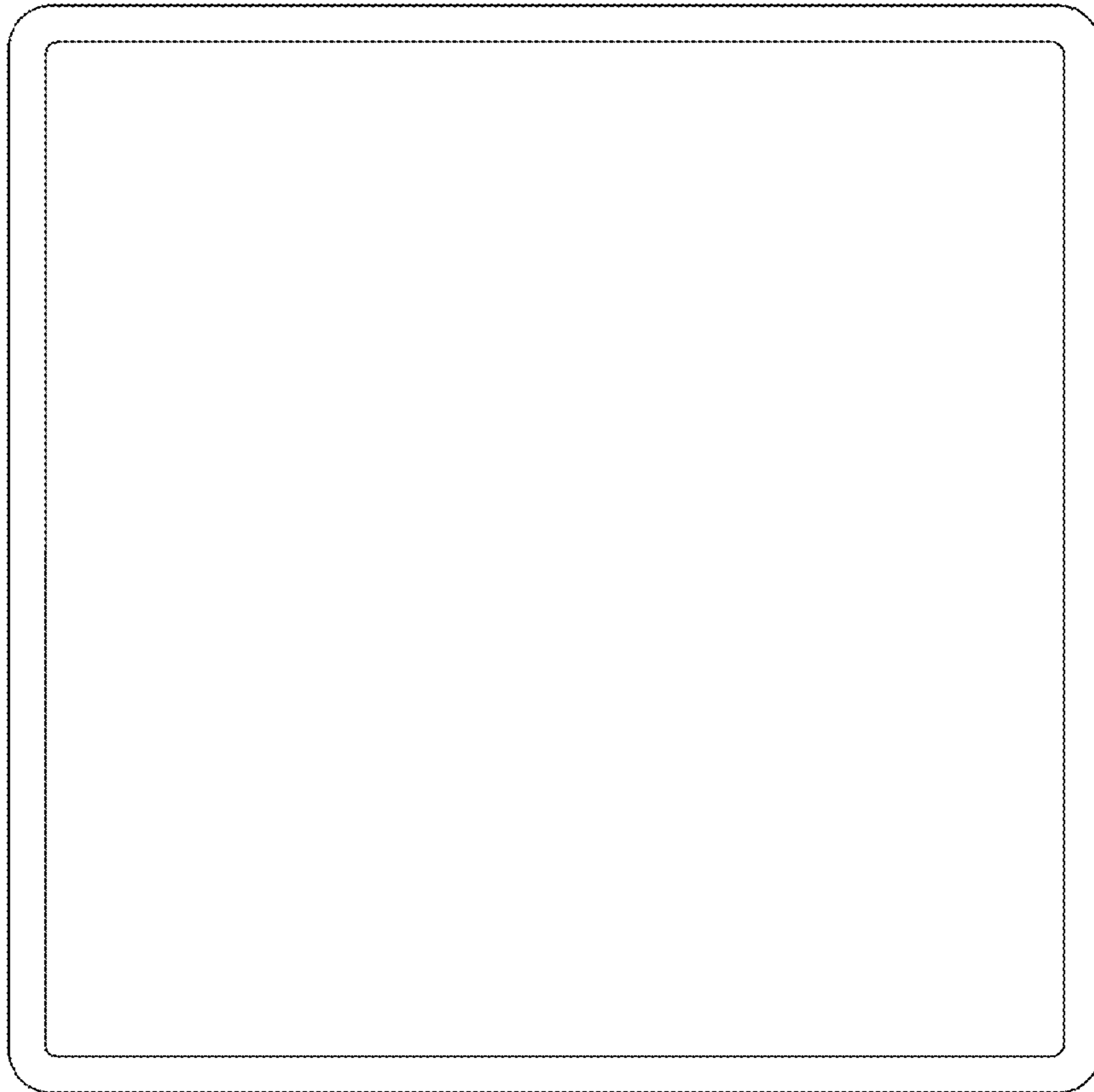


FIG. 7

