



US00D683831S

(12) **United States Design Patent**  
**Wulf et al.**

(10) **Patent No.:** **US D683,831 S**  
(45) **Date of Patent:** **\*\* Jun. 4, 2013**

(54) **NECK AND VENT CARRIER OF A HOUSING FOR A FREE-STANDING EVAPORATIVE COOLING UNIT**

7,296,785 B2 11/2007 Hayden  
D641,845 S \* 7/2011 Breit et al. .... D23/333  
2005/0247074 A1 11/2005 Ellicott  
2008/0006263 A1 1/2008 Seichei et al.  
2009/0000325 A1 1/2009 Johnson

(71) Applicant: **Port-A-Cool, LLC**, Center, TX (US)

(72) Inventors: **Benjamin Leon Wulf**, Center, TX (US);  
**Kerry Lyman Shumway**, Nacogdoches, TX (US);  
**Yun Seok Kim**, Chandler, AZ (US)

(73) Assignee: **Port-A-Cool, LLC**, Center, TX (US)

(\*\*) Term: **14 Years**

(21) Appl. No.: **29/434,941**

(22) Filed: **Oct. 18, 2012**

(51) **LOC (9) Cl.** ..... **23-04**

(52) **U.S. Cl.**  
USPC ..... **D23/333**

(58) **Field of Classification Search**  
USPC ..... D23/314, 317, 332, 333, 351, 352,  
D23/354, 336; 312/236; 62/259.1, 259.3,  
62/259.4, 262-263, 304, 401, 515-516, 261,  
62/419-420, 331, 314; 454/330-331, 349-350,  
454/354; 431/123, 253

See application file for complete search history.

(56) **References Cited**

**U.S. PATENT DOCUMENTS**

2,207,956 A \* 7/1940 Timms et al. .... 62/261  
2,210,458 A 8/1940 Keilholtz  
D157,824 S \* 3/1950 Wright ..... D23/333  
5,350,337 A 9/1994 Kondo et al.  
5,598,719 A 2/1997 Jones et al.  
D382,951 S \* 8/1997 Deines et al. .... D23/336  
D419,230 S \* 1/2000 Ciccone ..... D23/333  
6,422,232 B1 7/2002 Ashton et al.  
D486,211 S \* 2/2004 Chan et al. .... D23/332  
7,086,396 B2 8/2006 Waters  
D532,501 S \* 11/2006 Giovino ..... D23/332

**OTHER PUBLICATIONS**

“PC ESAC Evaporative Coolers”, Munters 2007, 2 pages.  
Fire Sense, <http://www.firesense.com>.  
Fire Sense, <http://www.firesense.net>.  
Patio Comfort Heaters, <http://www.patiocomfortheaters.com>.  
Sunglo Patio Heater, <http://www.sunglopatioheater.com>.  
Dayva, <http://www.dayva.com/heaters/>.

\* cited by examiner

*Primary Examiner* — Brian N Vinson

(74) *Attorney, Agent, or Firm* — John Wilson Jones; Jones & Smith, LLP

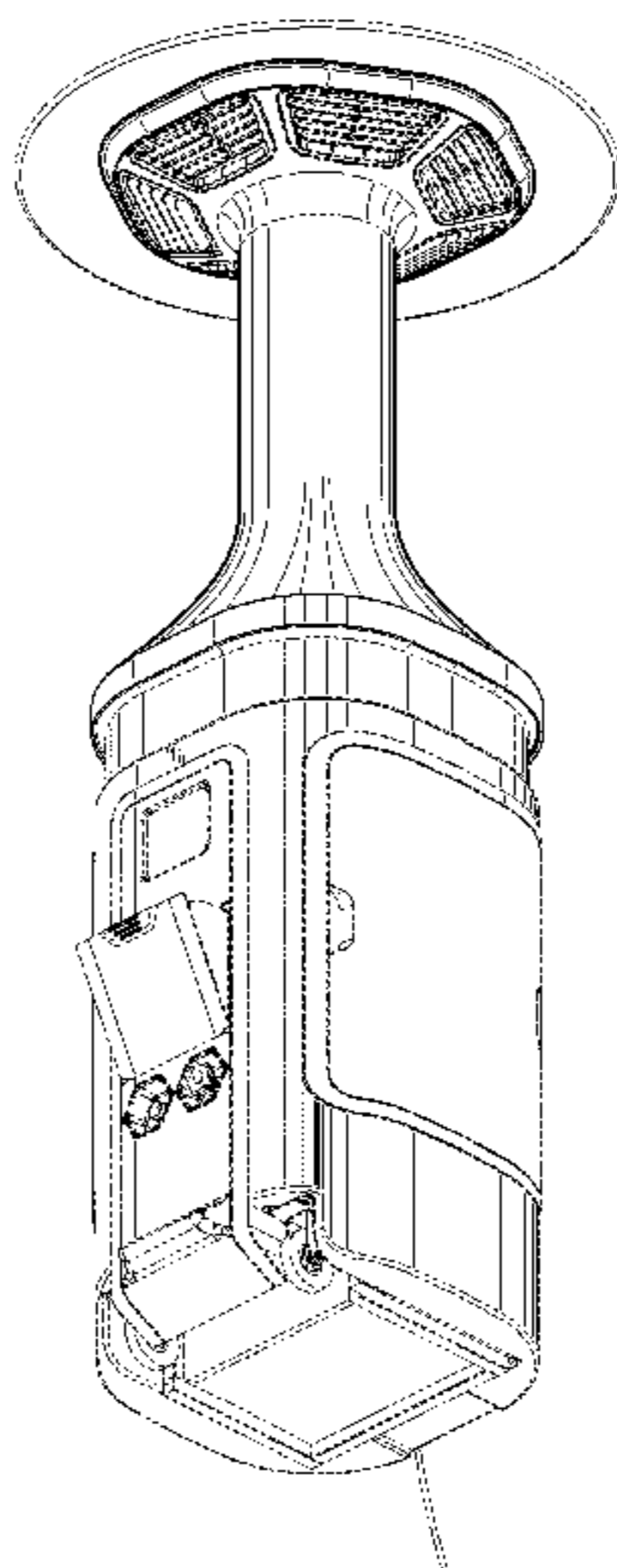
(57) **CLAIM**

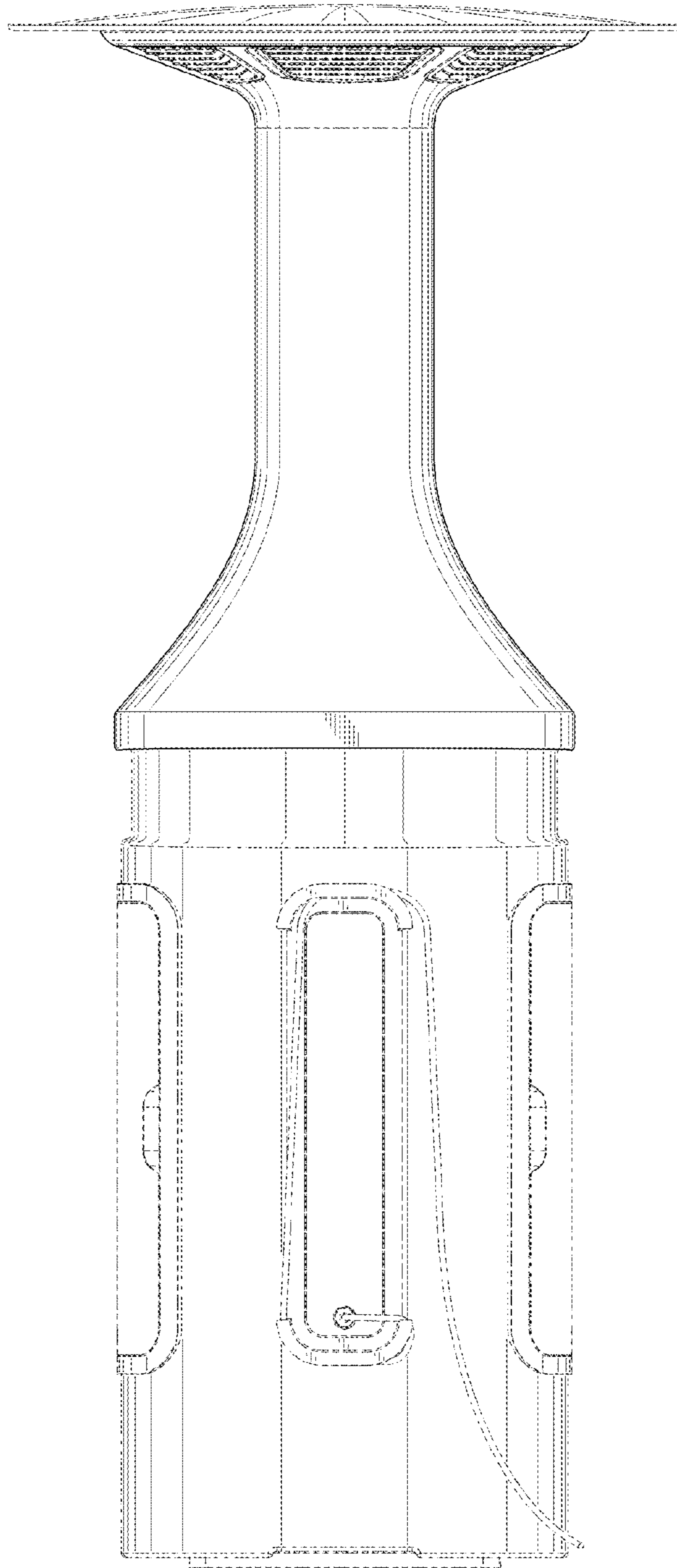
The ornamental design for a neck and vent carrier of a housing for a free-standing evaporative cooling unit, as shown and described.

**DESCRIPTION**

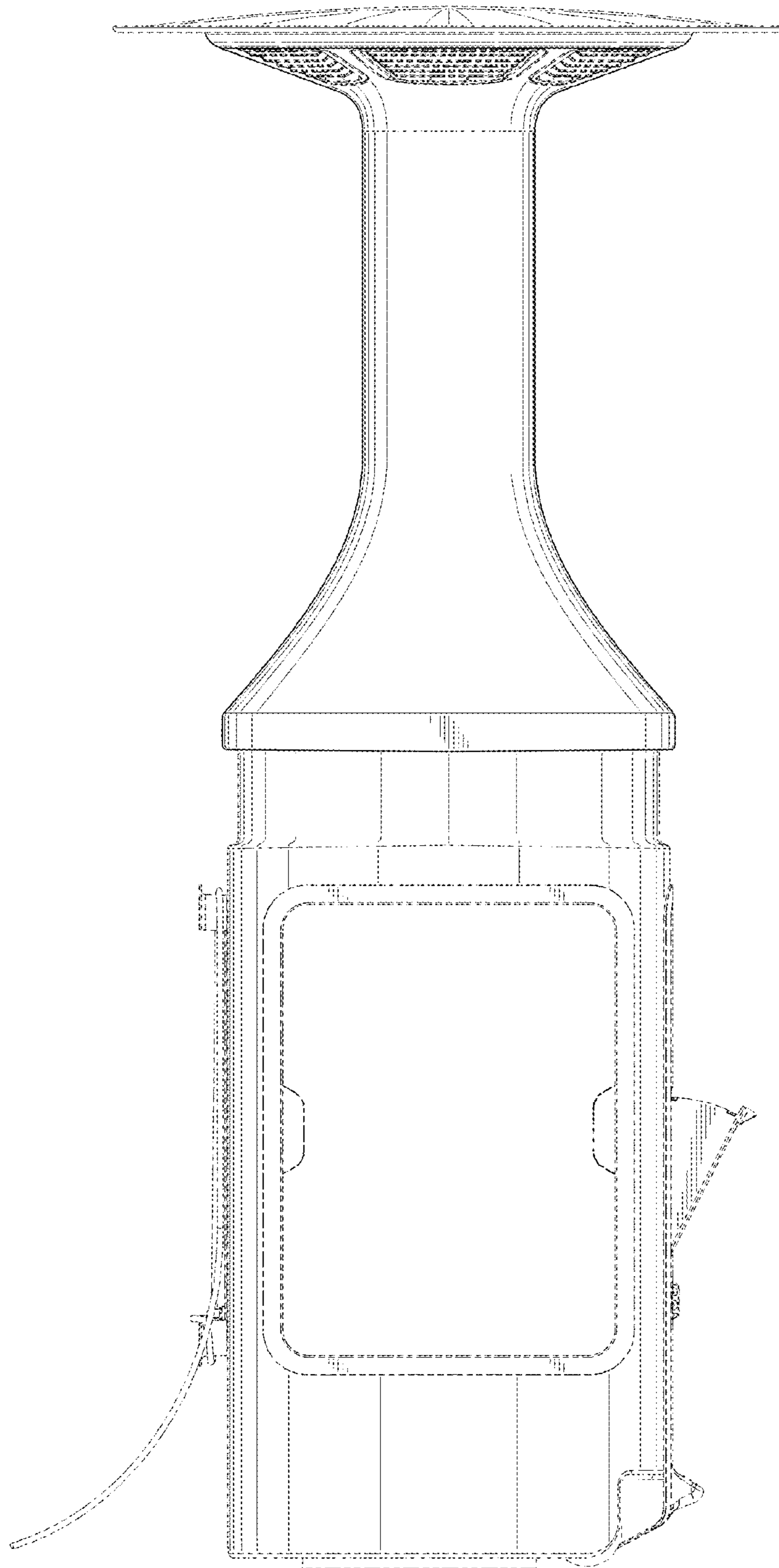
FIG. 1 is a front elevational view of a neck and vent carrier of a housing for a free-standing evaporative cooling unit showing our new design;  
FIG. 2 is a right side elevational view thereof;  
FIG. 3 is a left side elevational view thereof;  
FIG. 4 is a rear elevational view thereof;  
FIG. 5 is a top, front and right side perspective view thereof; and,  
FIG. 6 is a bottom, rear, and left side perspective view thereof.  
The broken-line disclosure in the views is understood to represent portions of the housing which are not part of the claimed design. Where broken-lines abut claimed surfaces, which are shown with surface shading, those broken-lines are understood to represent unclaimed boundaries or edges.

**1 Claim, 6 Drawing Sheets**

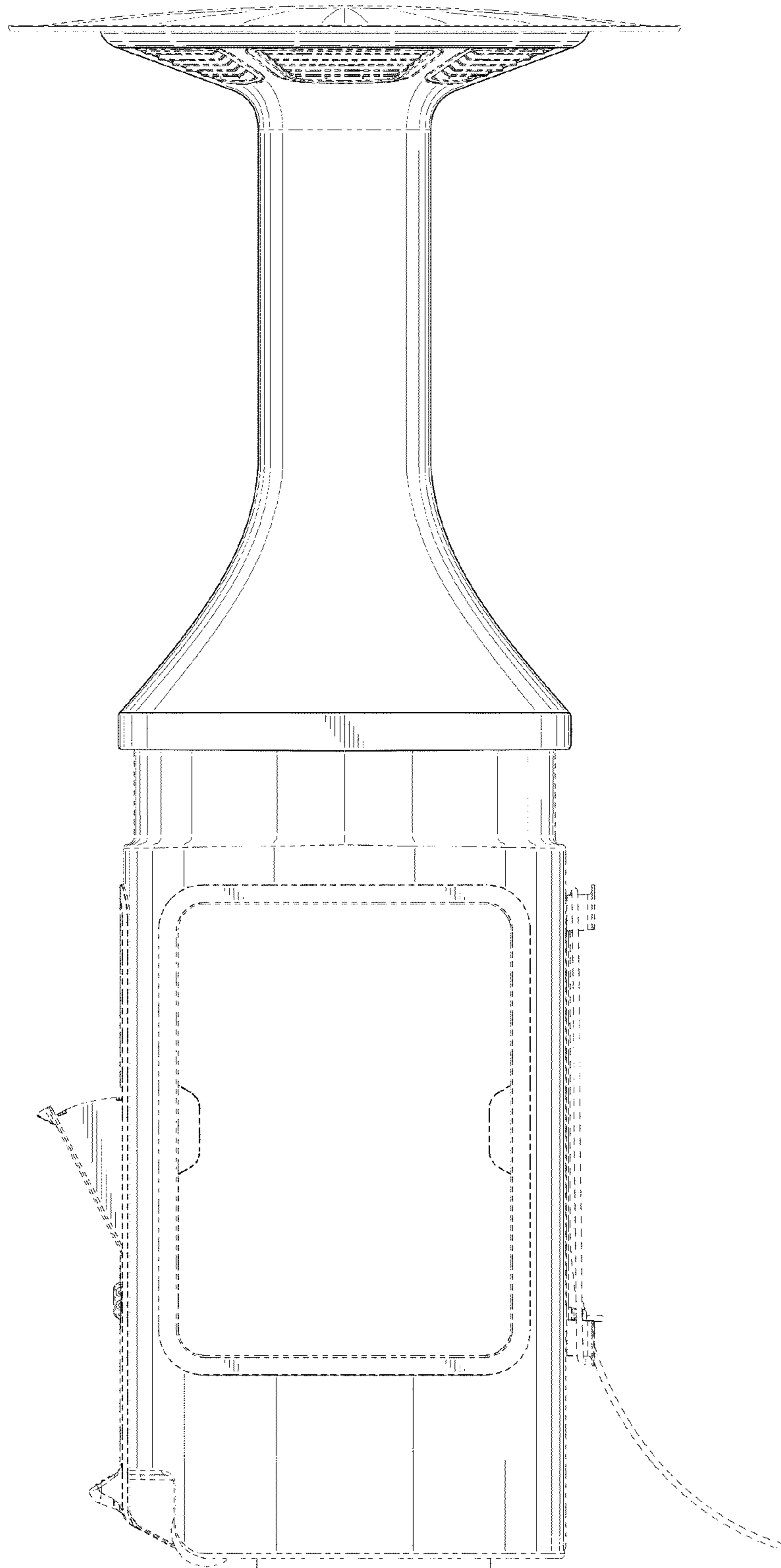




**FIG. 1**

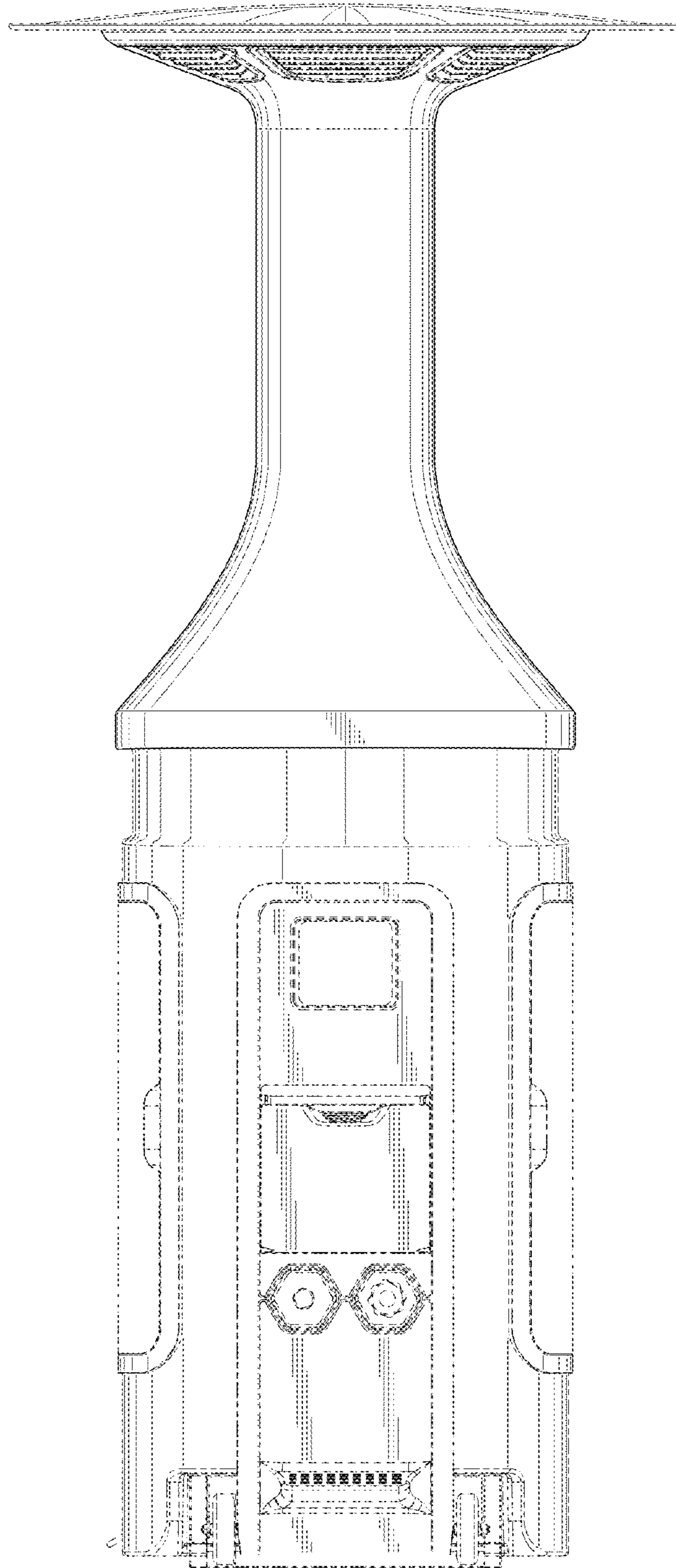


**FIG. 2**

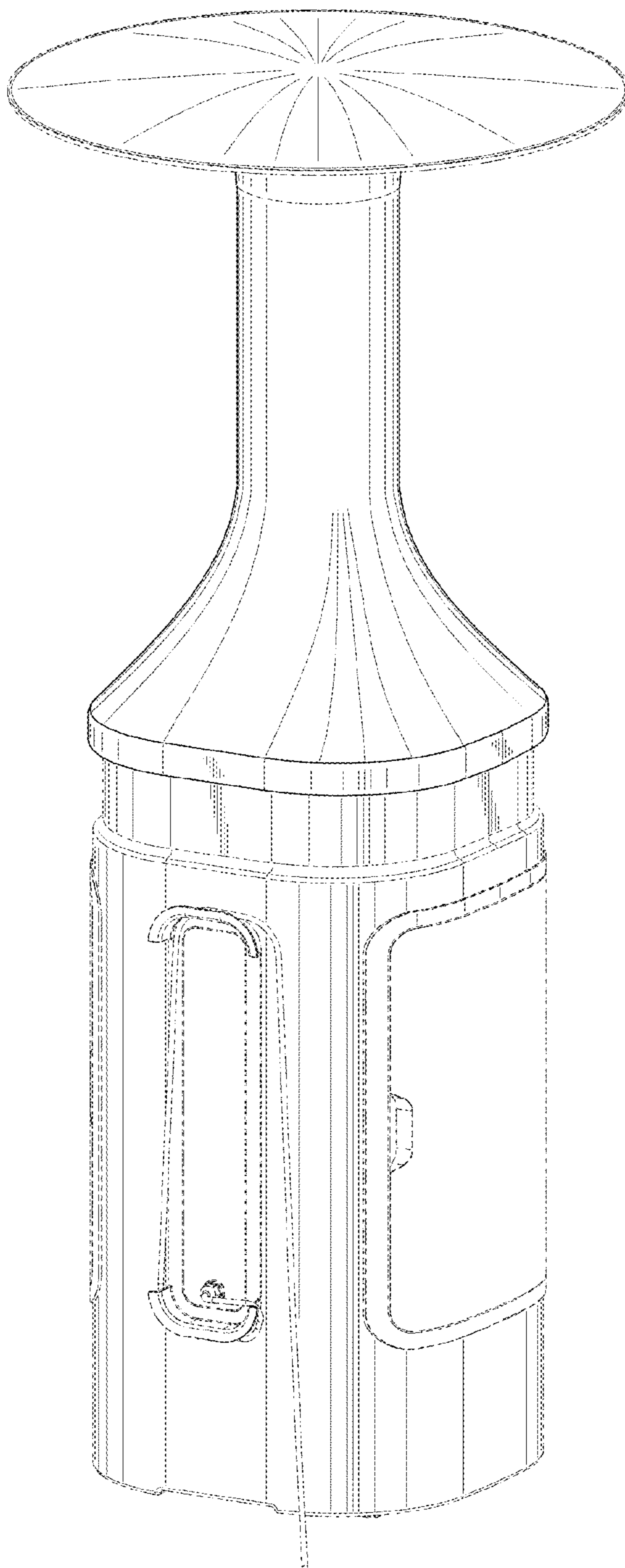


**FIG. 3**

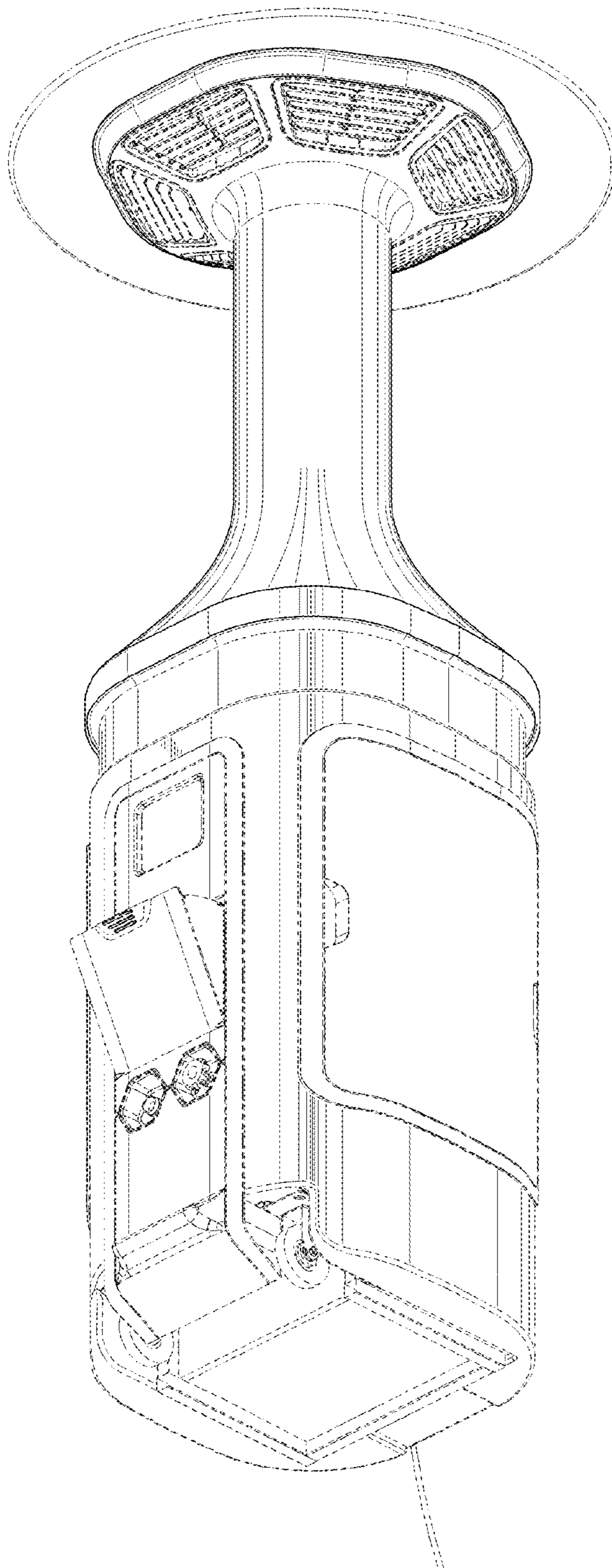




**FIG. 4**



**FIG. 5**



**FIG. 6**