



US00D683825S

(12) **United States Design Patent**
Sofield

(10) **Patent No.:** **US D683,825 S**
(45) **Date of Patent:** **** Jun. 4, 2013**

(54) **FAUCET**

(75) **Inventor:** **William Sofield**, New York, NY (US)

(73) **Assignee:** **Kohler Co.**, Kohler, WI (US)

(**) **Term:** **14 Years**

(21) **Appl. No.:** **29/410,855**

(22) **Filed:** **Jan. 12, 2012**

(51) **LOC (9) Cl.** **23-01**

(52) **U.S. Cl.**
USPC **D23/255**

(58) **Field of Classification Search**
USPC D23/238, 250, 252, 255, 257; 4/675-678;
137/801; 16/110.1
See application file for complete search history.

(56) **References Cited**

U.S. PATENT DOCUMENTS

D76,827 S *	11/1928	Smith	D23/252
D87,757 S *	9/1932	Pope	D23/241
D461,530 S *	8/2002	Moll	D23/242
D534,622 S *	1/2007	Chu et al.	D23/238
D574,469 S *	8/2008	Soriano	D23/255
D612,015 S *	3/2010	Lammel et al.	D23/238
D613,823 S	4/2010	Sofield		
D613,824 S *	4/2010	Sofield	D23/250
D615,627 S	5/2010	Sofield		
D617,414 S	6/2010	Sofield		

D619,223 S	7/2010	Sofield		
D631,137 S *	1/2011	Ke et al.	D23/252
D648,829 S *	11/2011	Gao	D23/252

* cited by examiner

Primary Examiner — Robert Delehanty
(74) *Attorney, Agent, or Firm* — Foley & Lardner LLP

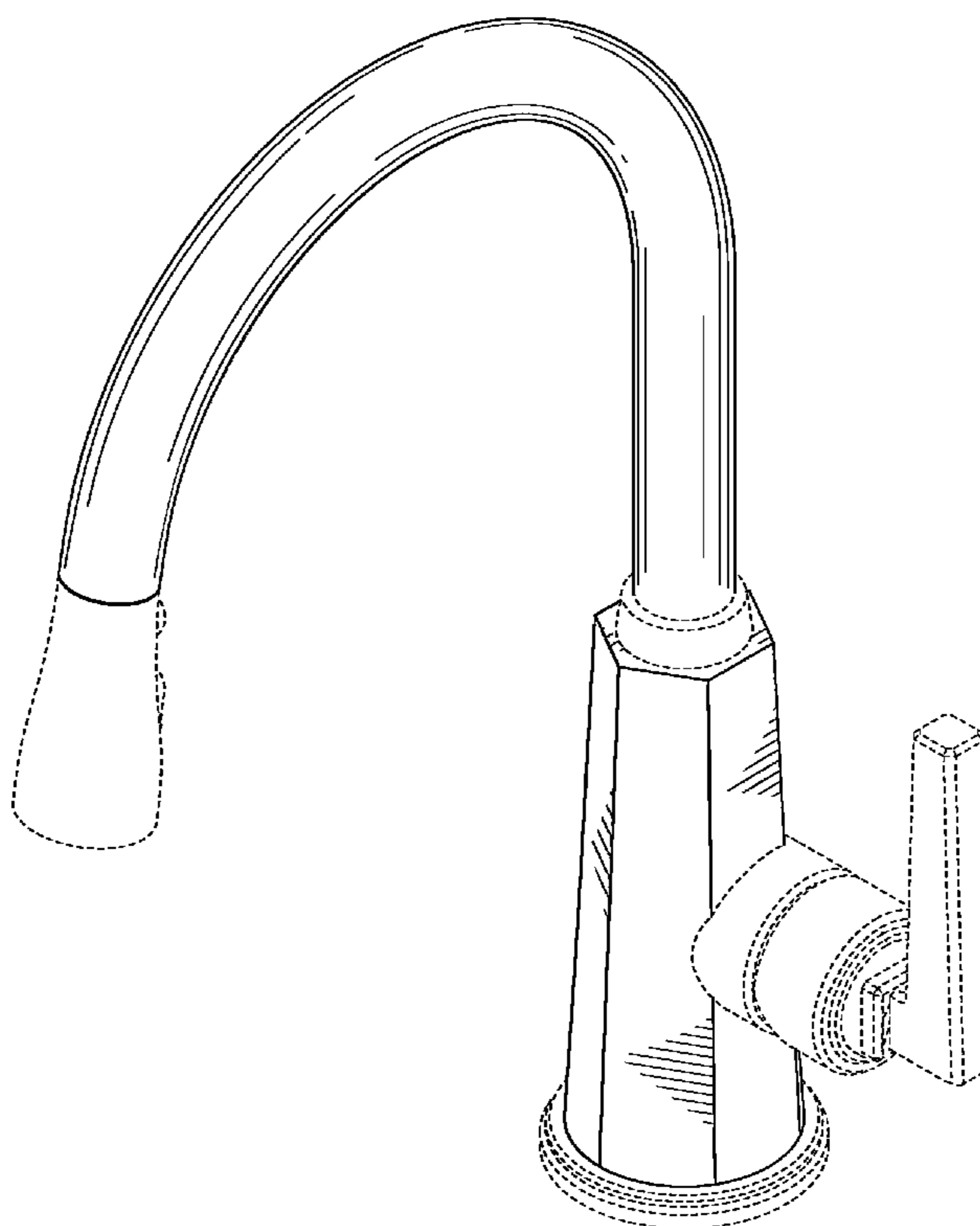
(57) **CLAIM**

I claim the ornamental design for a faucet, as shown and described.

DESCRIPTION

FIG. 1 is a top perspective view of the claimed design;
FIG. 2 is a right-side elevation view of the claimed design of FIG. 1;
FIG. 3 is a left-side elevation view of the claimed design of FIG. 1;
FIG. 4 is a rear elevation view of the claimed design of FIG. 1;
FIG. 5 is a front elevation view of the claimed design of FIG. 1;
FIG. 6 is a top plan view of the claimed design of FIG. 1; and,
FIG. 7 is a bottom plan view of the claimed design of FIG. 1.
The ornamental design which is claimed is shown in solid lines in the drawings. The broken lines in the drawings are for illustrative purposes only and form no part of the claimed design.

1 Claim, 7 Drawing Sheets



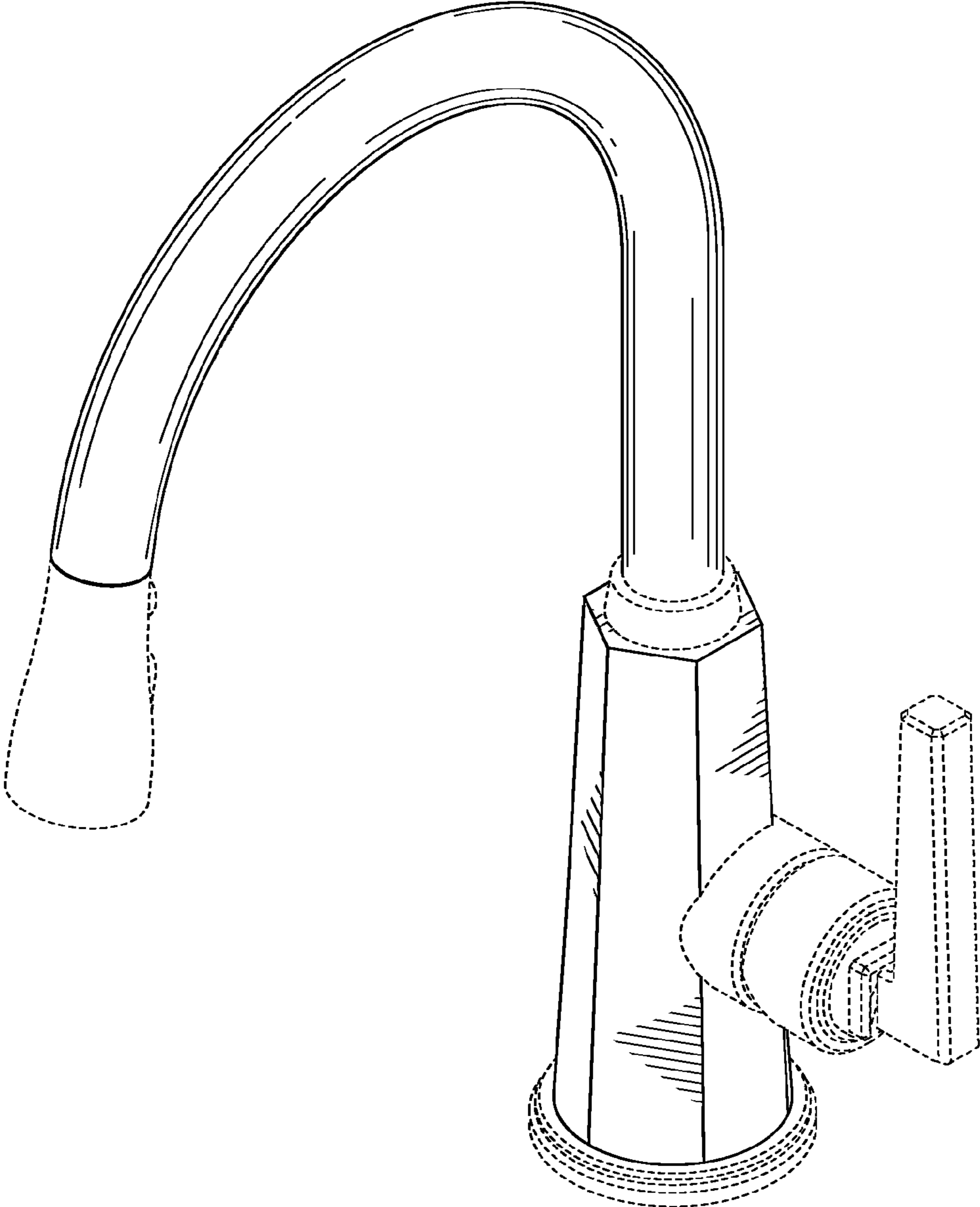


FIG. 1

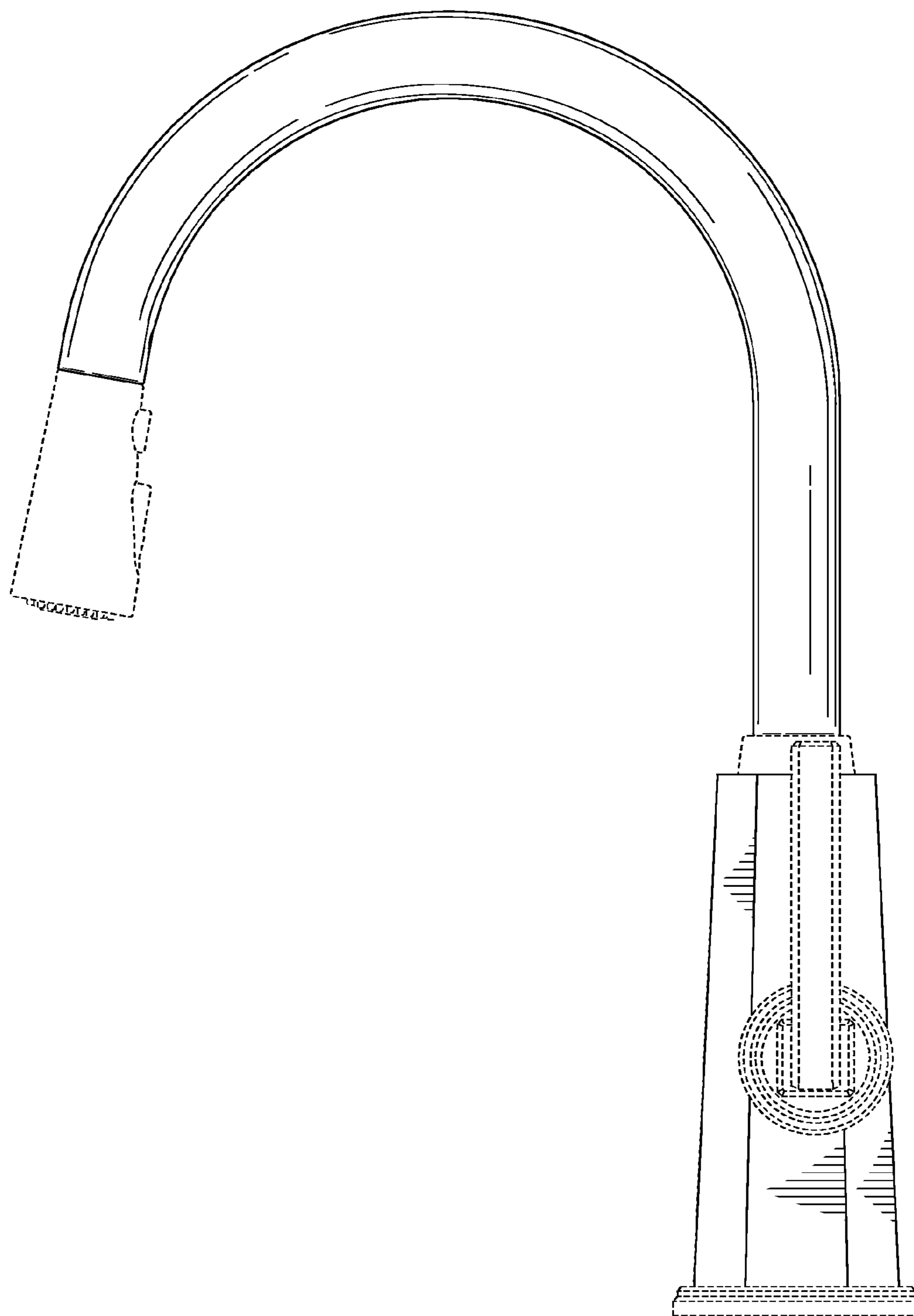


FIG. 2

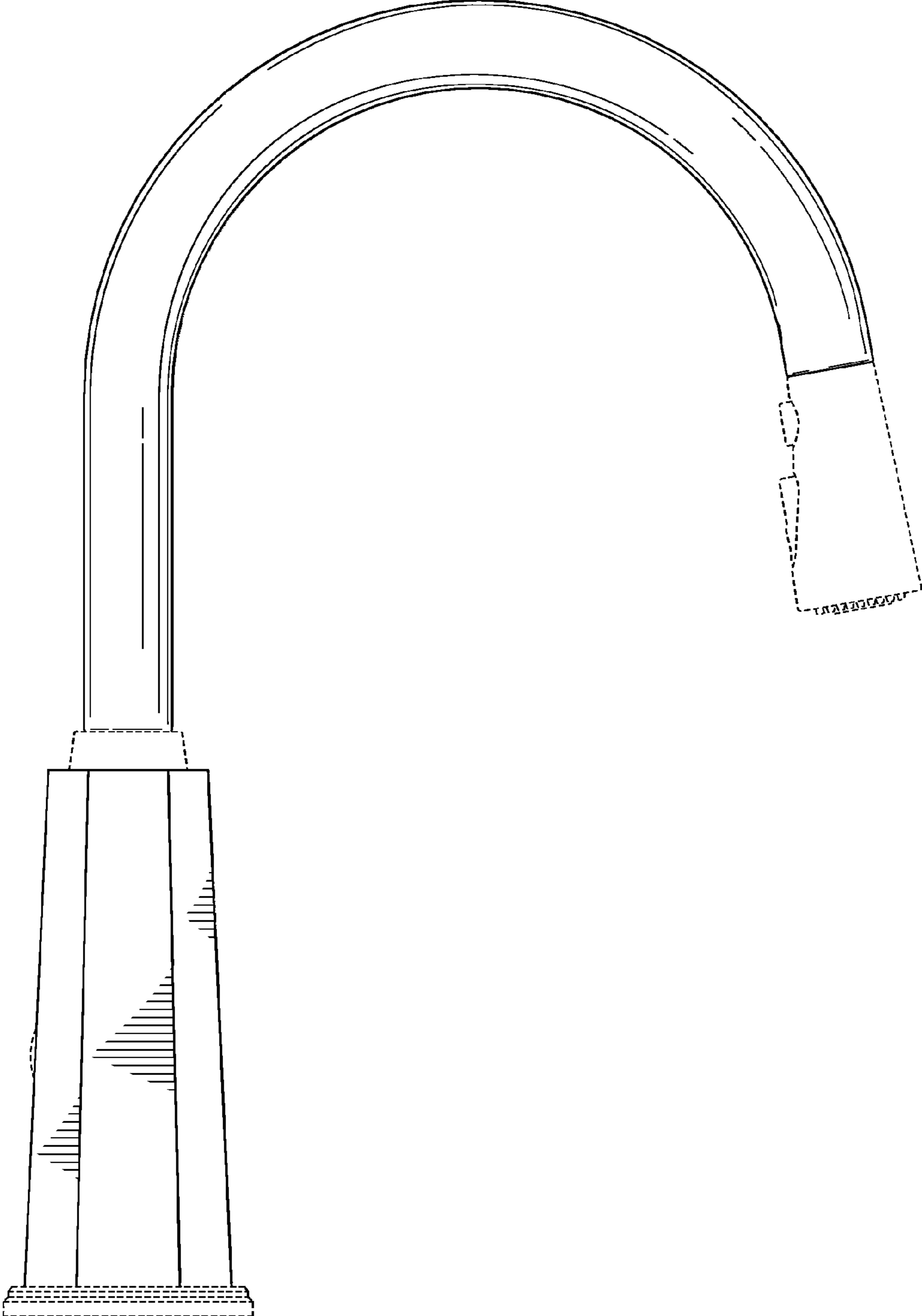


FIG. 3

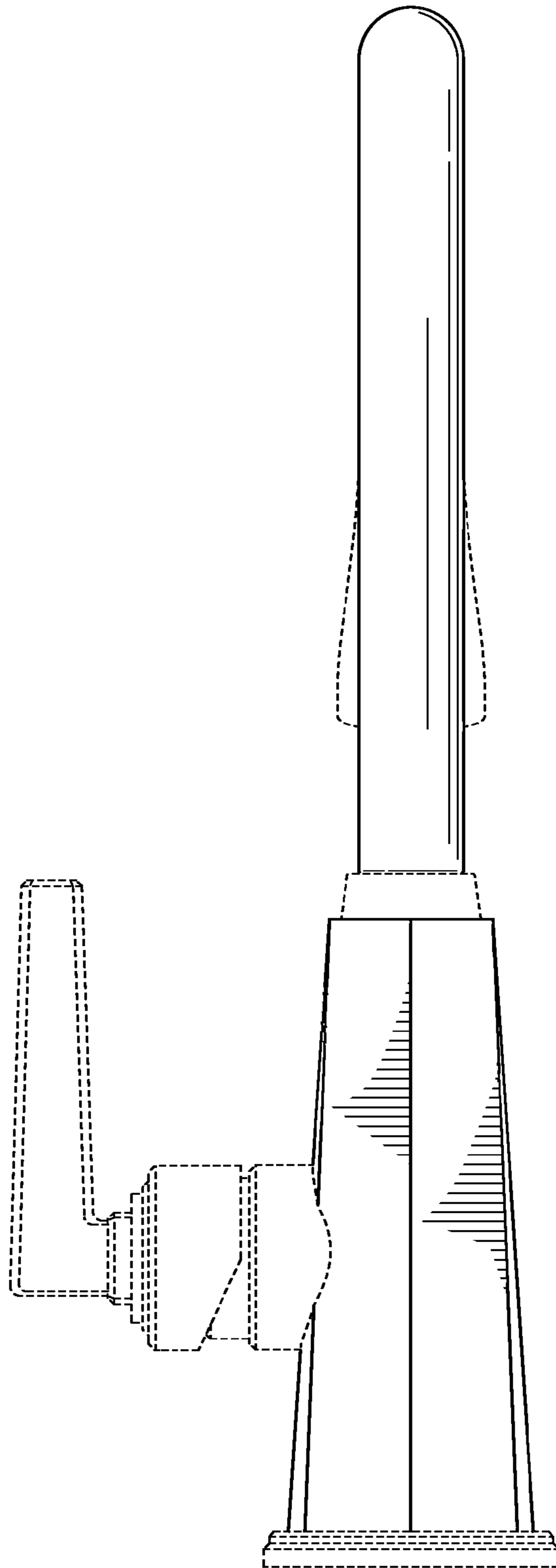


FIG. 4

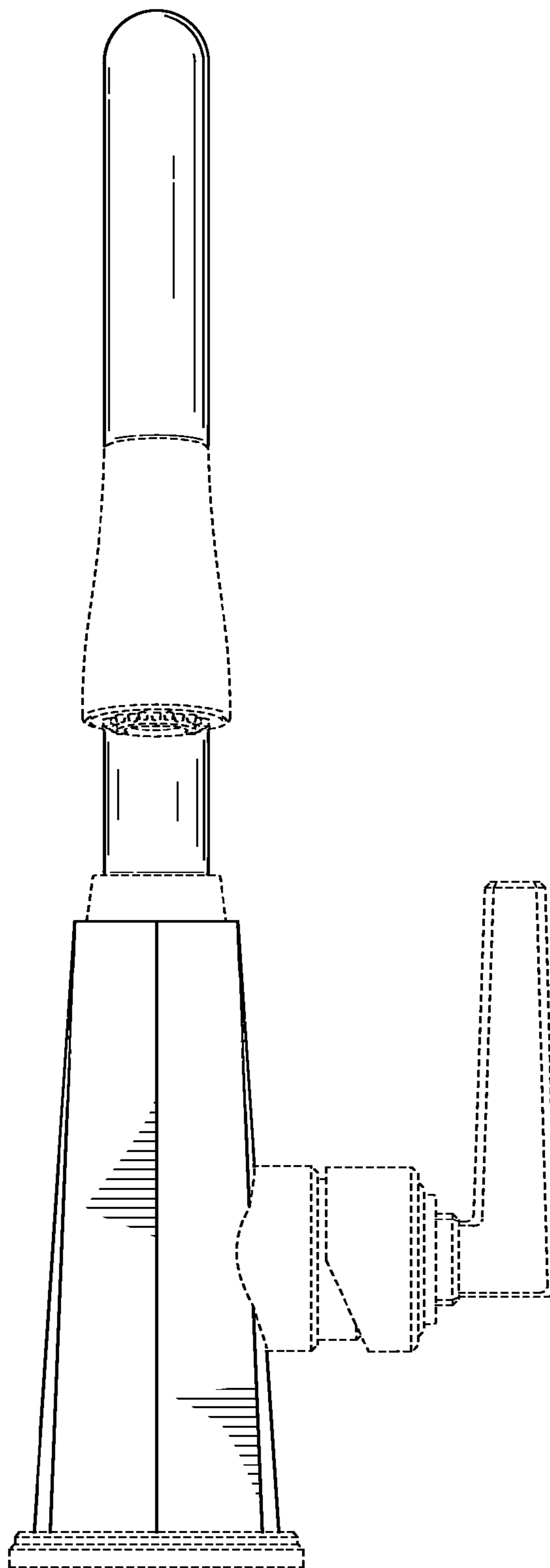


FIG. 5

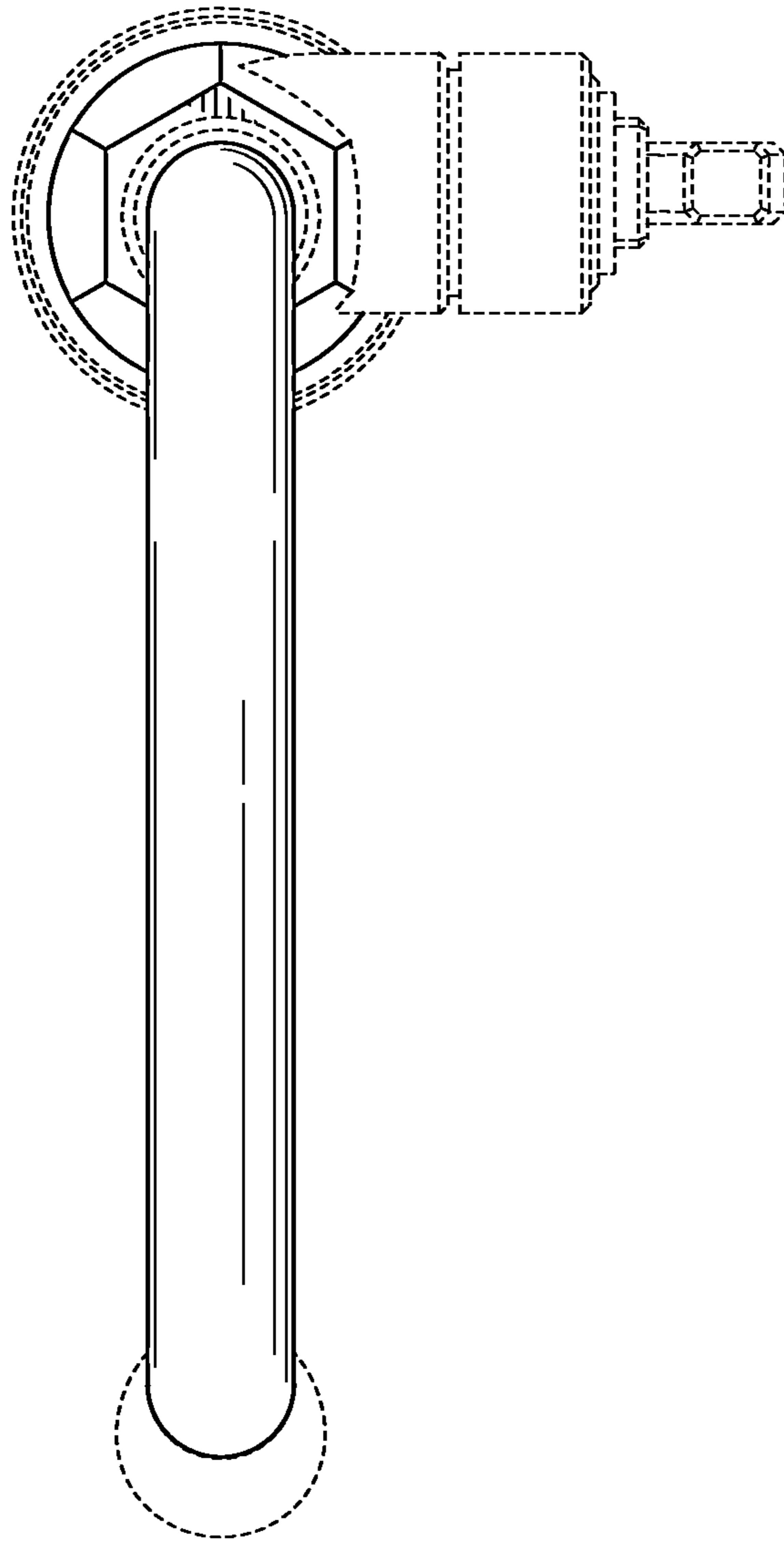


FIG. 6

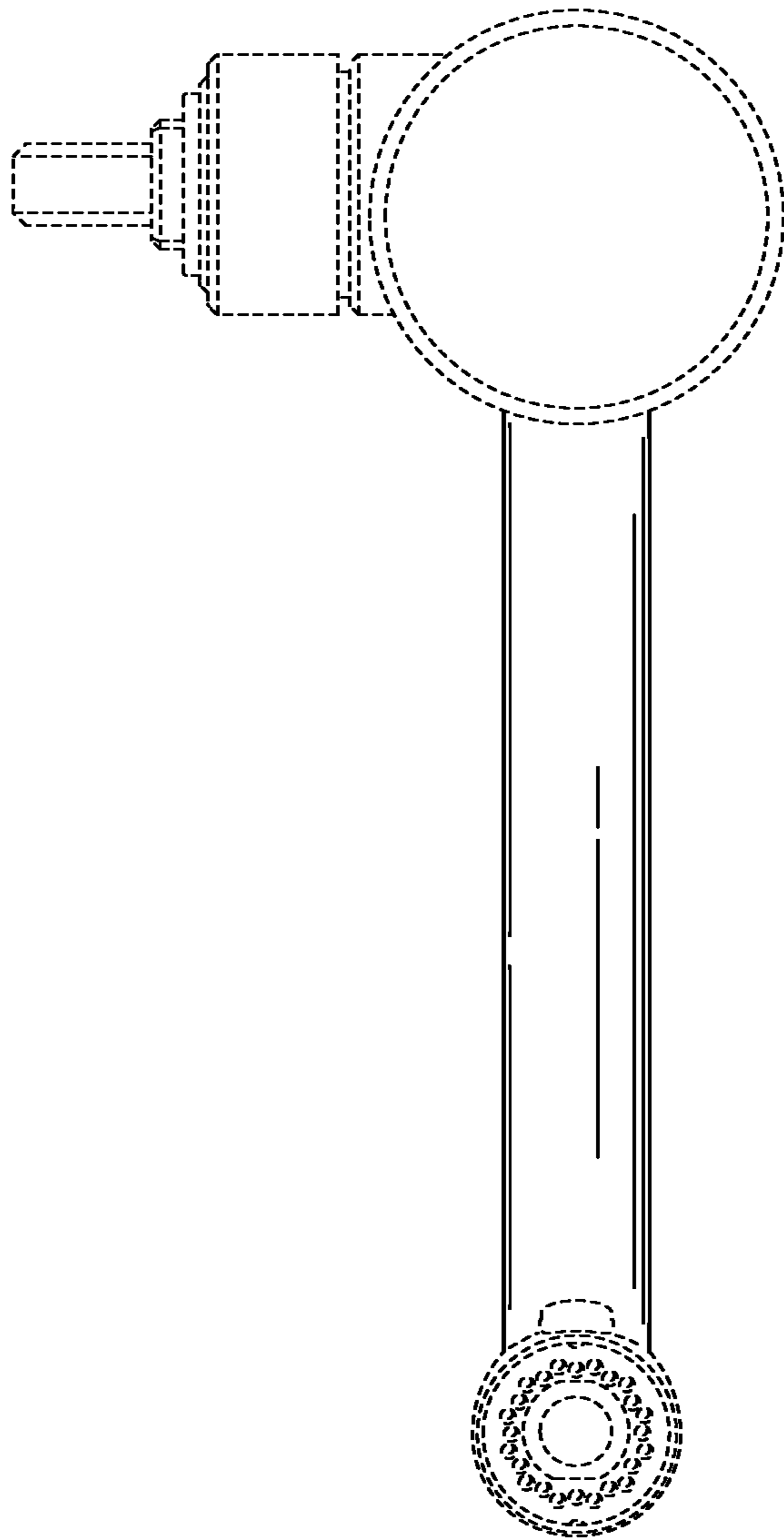


FIG. 7