



US00D683823S

(12) **United States Design Patent**
Kwok

(10) **Patent No.:** **US D683,823 S**
(45) **Date of Patent:** **** Jun. 4, 2013**

- (54) **FAUCET**
- (75) **Inventor:** **Celine Kwok**, Indianapolis, IN (US)
- (73) **Assignee:** **Masco Corporation of Indiana**,
Indianapolis, IN (US)
- (**) **Term:** **14 Years**
- (21) **Appl. No.:** **29/417,853**
- (22) **Filed:** **Apr. 10, 2012**
- (51) **LOC (9) Cl.** **23-01**
- (52) **U.S. Cl.**
USPC **D23/238**
- (58) **Field of Classification Search**
USPC D23/238, 250, 252, 255, 257; 4/675-678;
137/801
See application file for complete search history.

- D577,420 S * 9/2008 Corbett et al. D23/238
- D583,439 S * 12/2008 Spangler D23/238
- D609,308 S * 2/2010 Fritz et al. D23/238

* cited by examiner

Primary Examiner — Robert Delehanty

(74) *Attorney, Agent, or Firm* — Edgar A. Zarins; Nirav D. Parikh; Lora J. Graentzdoerffer

(57) **CLAIM**

The ornamental design for a faucet, as shown and described.

DESCRIPTION

FIG. 1 is a perspective view of a faucet showing my new design;
 FIG. 2 is a front elevational view thereof;
 FIG. 3 is a rear view thereof;
 FIG. 4 is a top plan view thereof;
 FIG. 5 is a right side view thereof;
 FIG. 6 is a left side view thereof; and,
 FIG. 7 is a bottom view thereof.

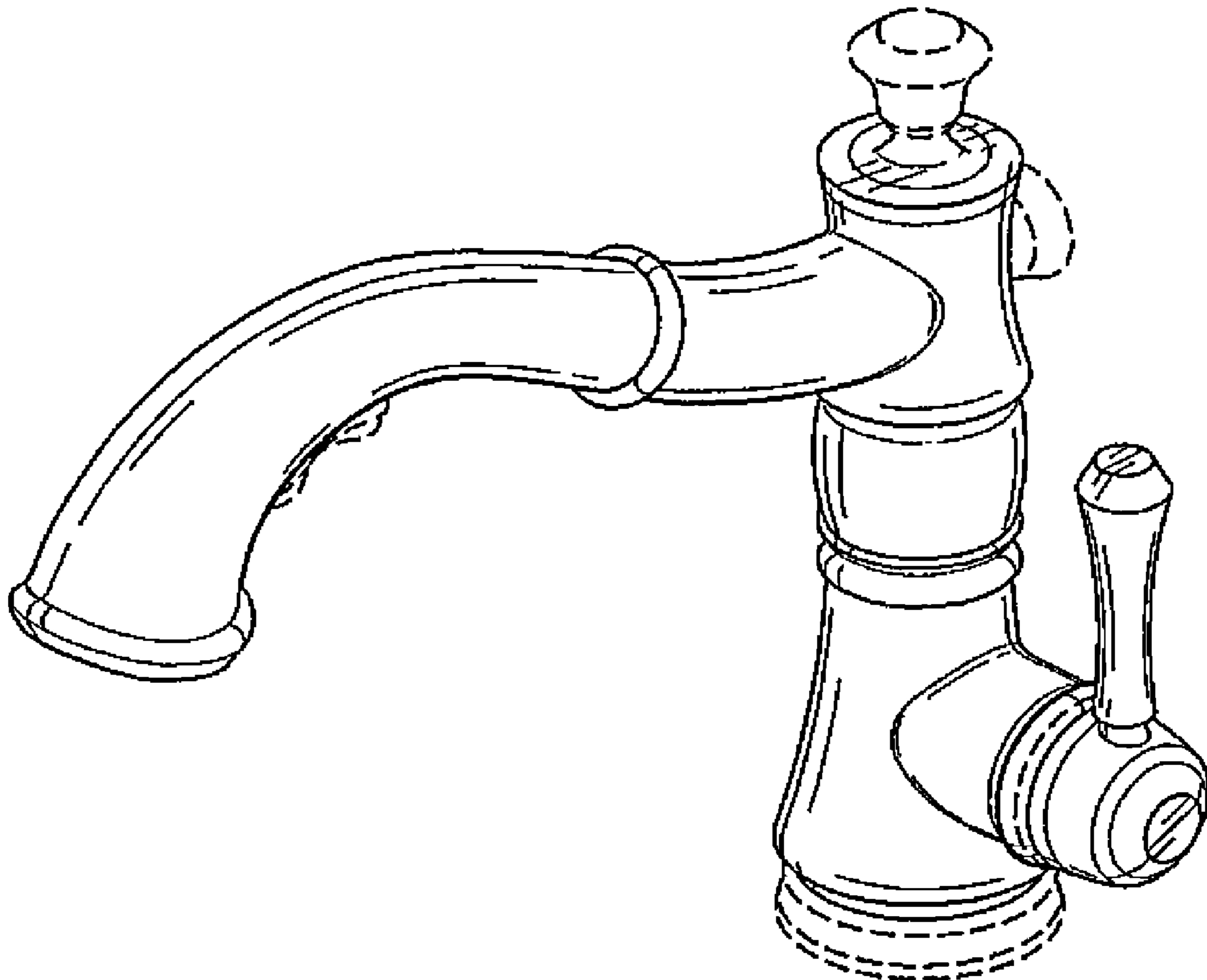
The broken line showing portions of the claimed design is included for the purpose of illustrating a portion of the faucet that forms no part of the claimed design.

1 Claim, 2 Drawing Sheets

(56) **References Cited**

U.S. PATENT DOCUMENTS

- D511,202 S * 11/2005 Kulig D23/238
- D544,946 S * 6/2007 Lord et al. D23/238
- D566,811 S * 4/2008 Zhang D23/238



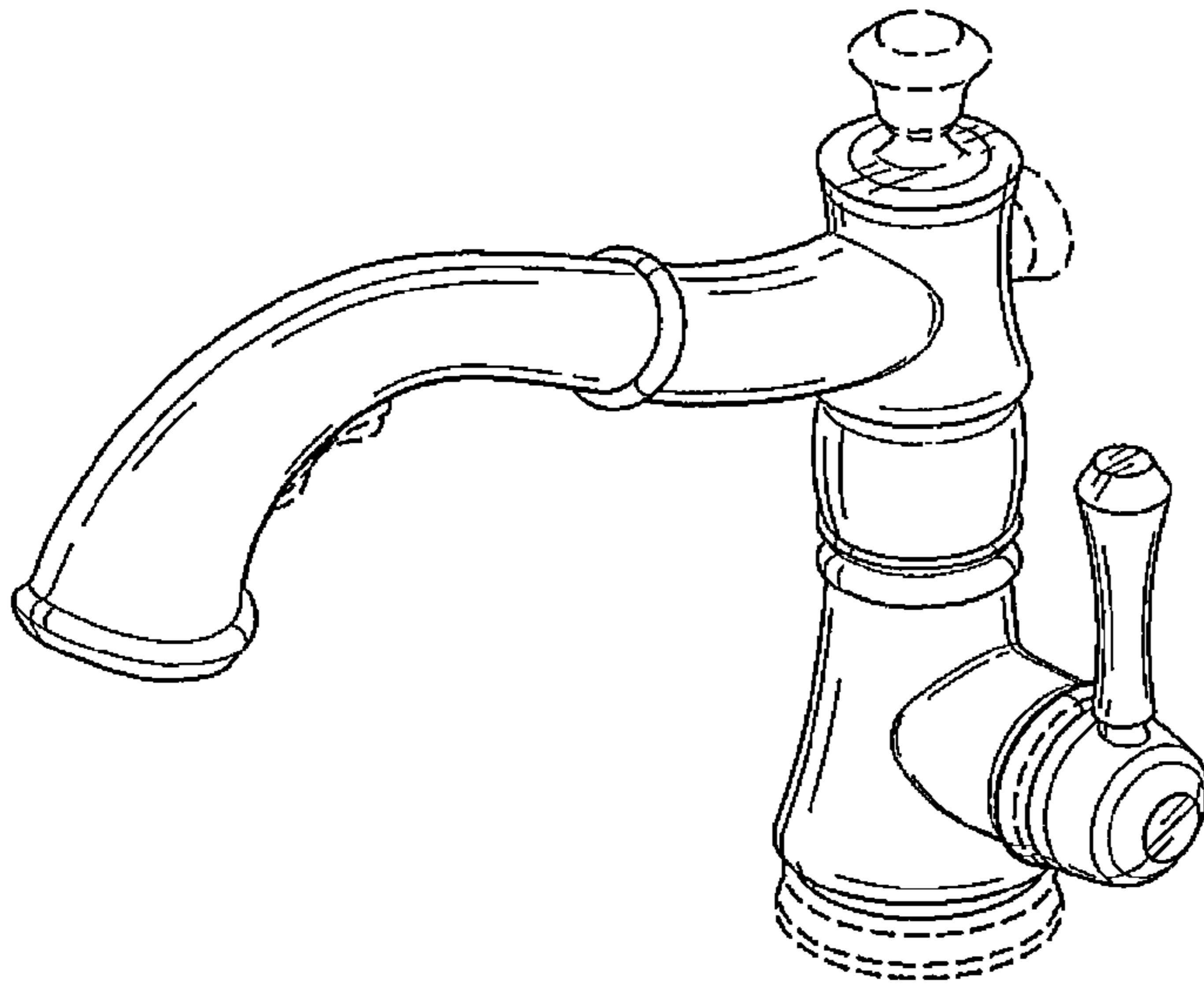


Fig-1

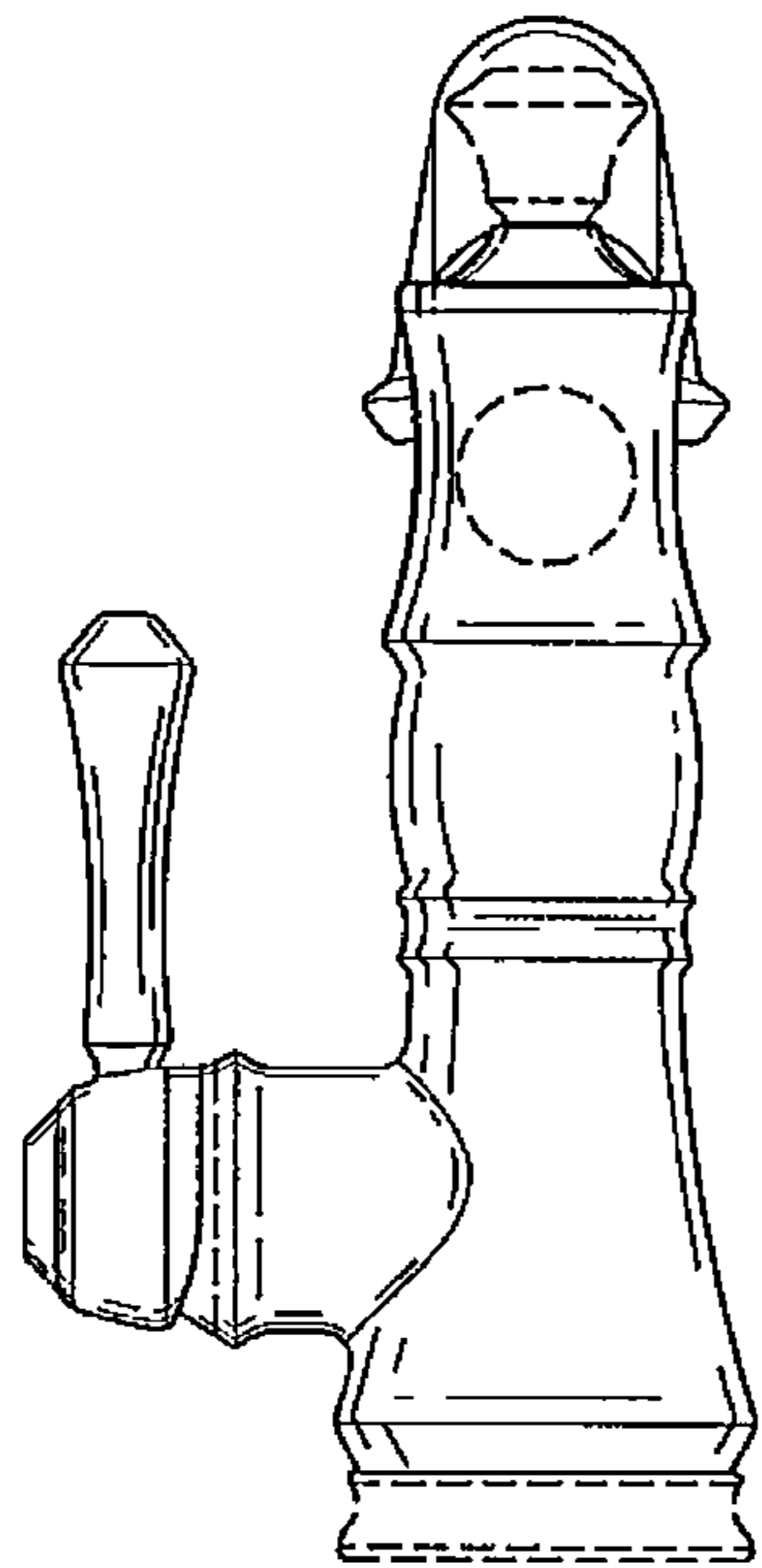


Fig-3

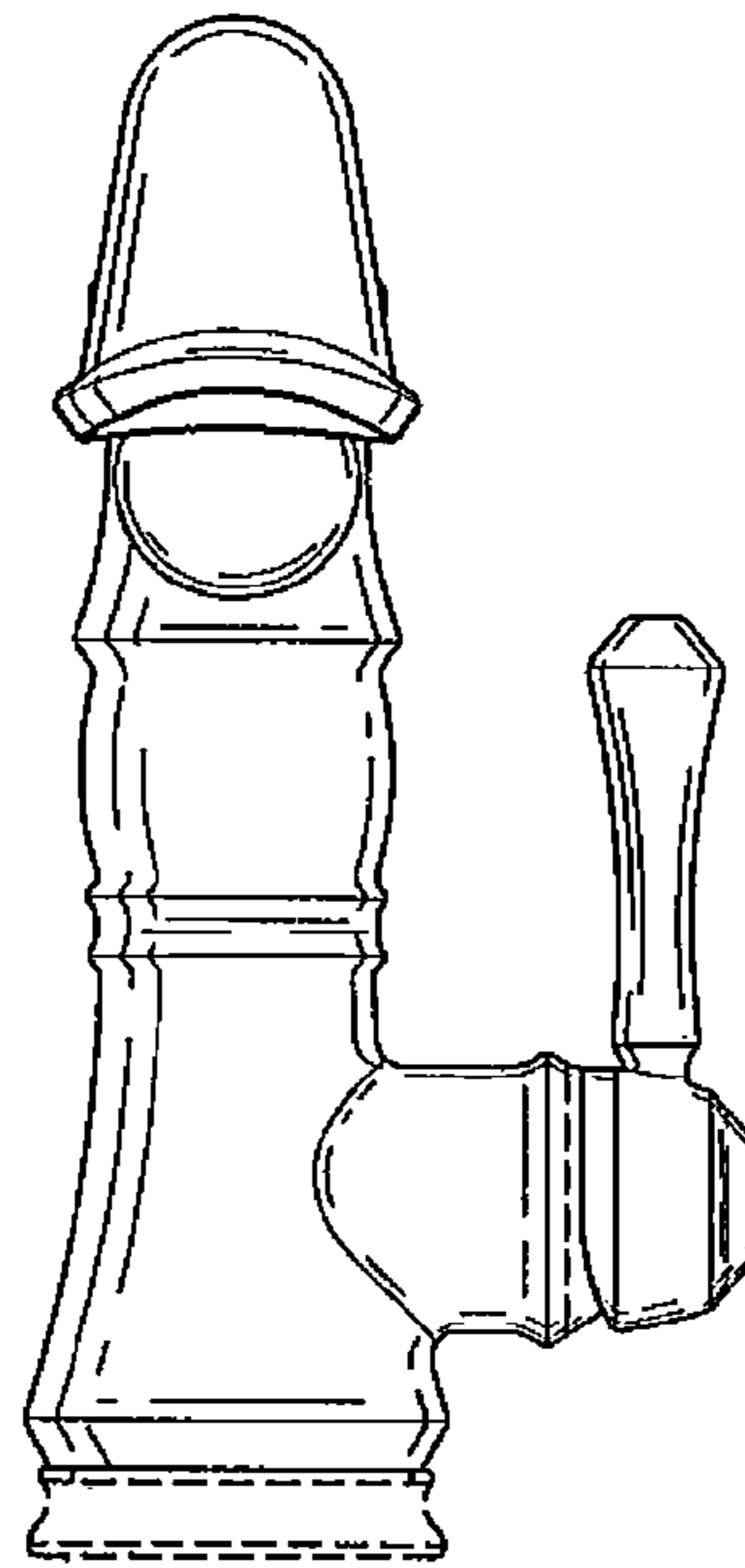


Fig-2

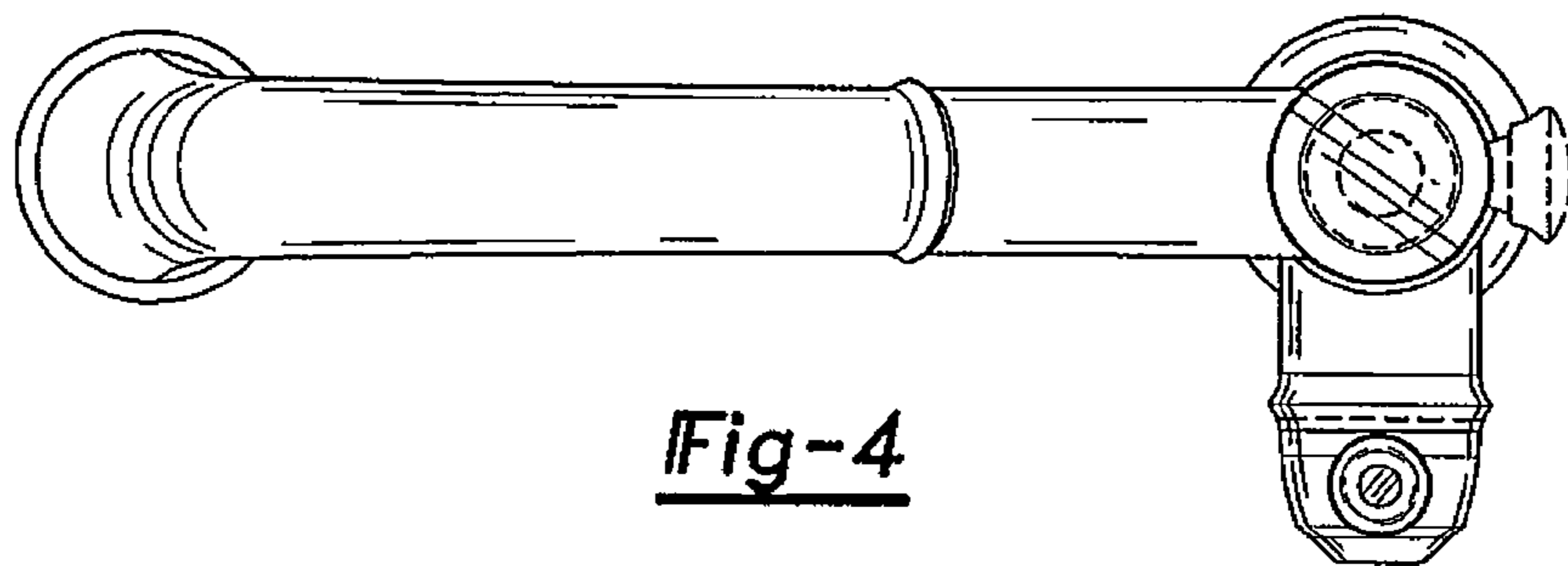


Fig-4

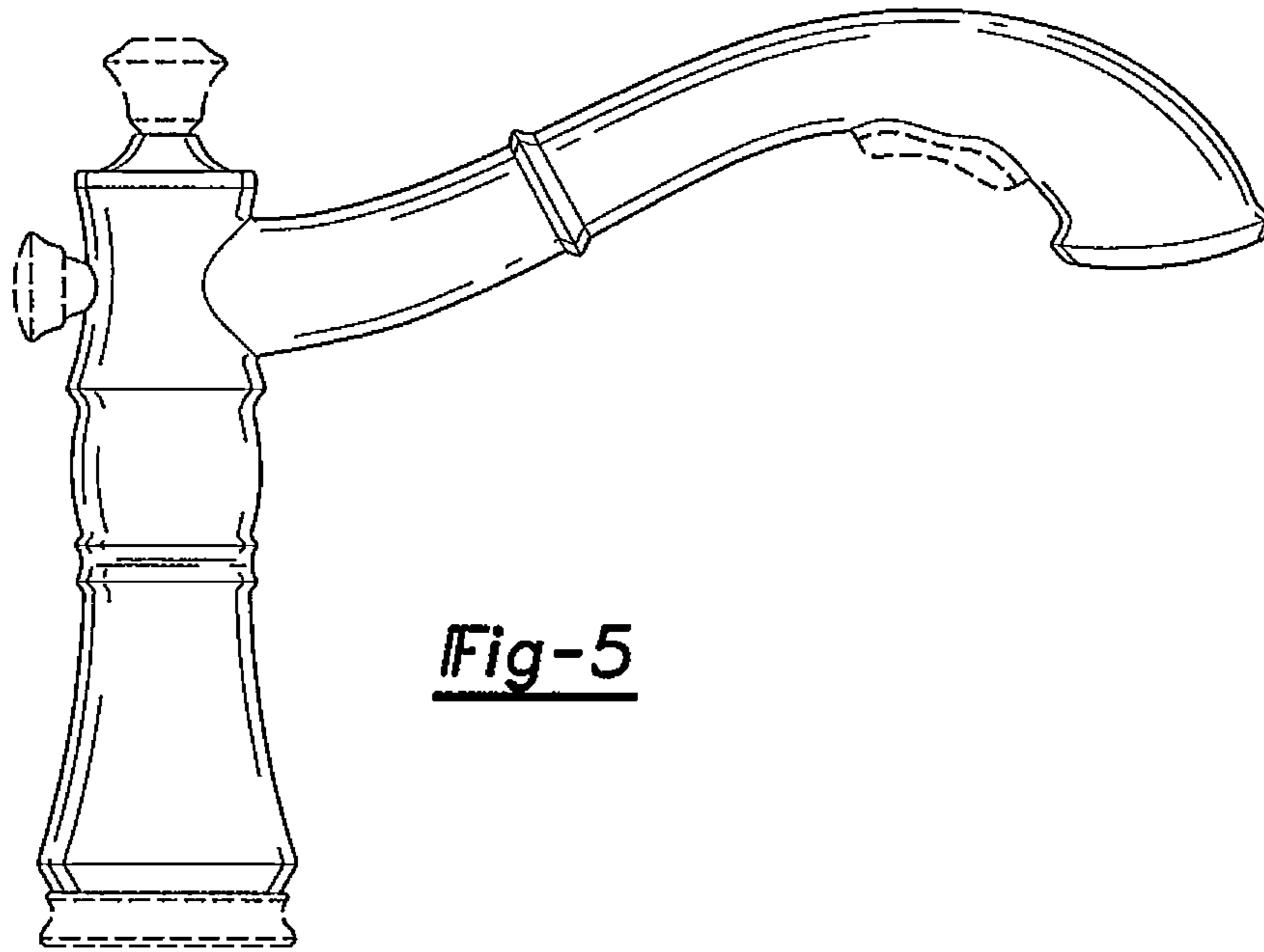


Fig-5

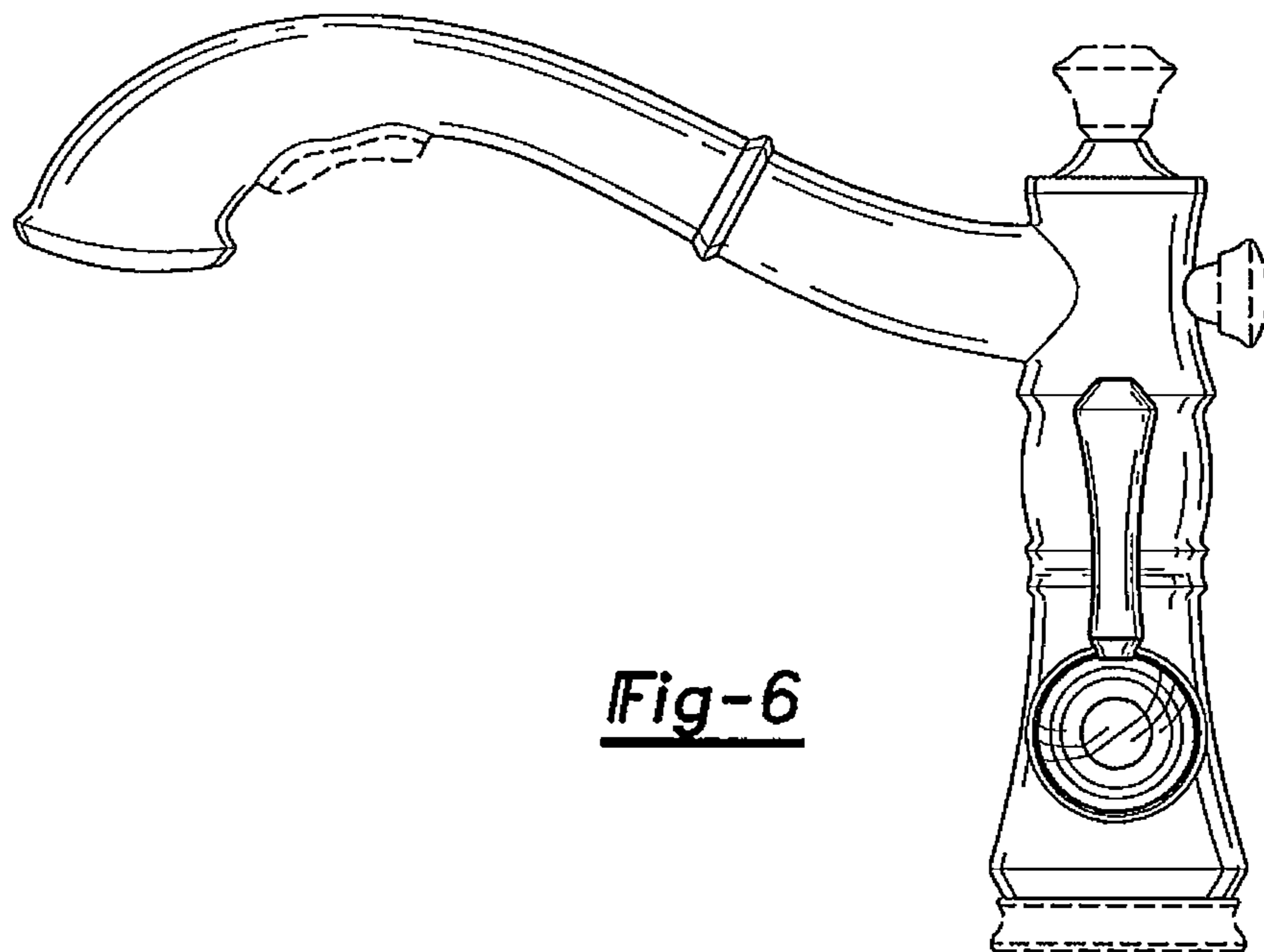


Fig-6

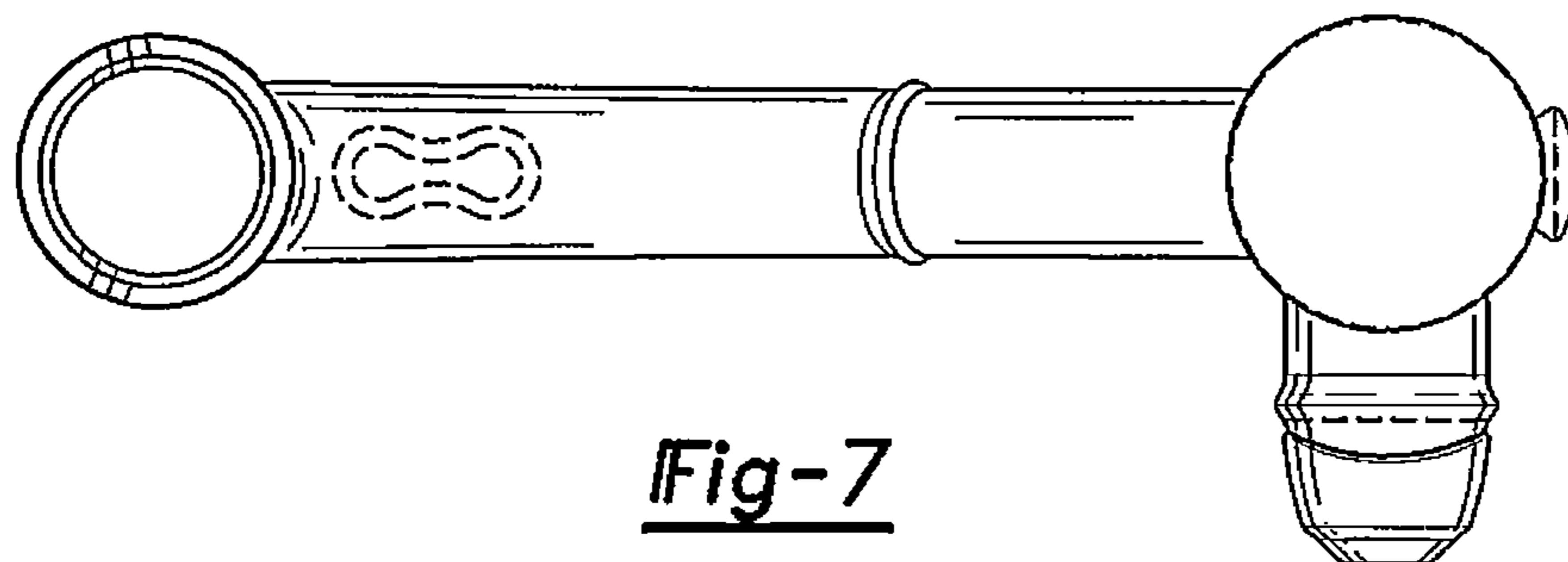


Fig-7