



US00D683822S

(12) **United States Design Patent**
Kwok

(10) **Patent No.:** **US D683,822 S**

(45) **Date of Patent:** **** Jun. 4, 2013**

(54) **FAUCET**

(75) Inventor: **Celine Kwok**, Indianapolis, IN (US)

(73) Assignee: **Masco Corporation of Indiana**,
Indianapolis, IN (US)

(**) Term: **14 Years**

(21) Appl. No.: **29/417,843**

(22) Filed: **Apr. 10, 2012**

(51) **LOC (9) Cl.** **23-01**

(52) **U.S. Cl.**
USPC **D23/238**

(58) **Field of Classification Search**
USPC D23/238, 250, 252, 255, 257; 4/675-678;
137/801
See application file for complete search history.

(56) **References Cited**

U.S. PATENT DOCUMENTS

D412,025 S *	7/1999	Mark et al.	D23/238
D566,811 S *	4/2008	Zhang	D23/238
D610,653 S *	2/2010	Schoenherr et al.	D23/238
D653,730 S *	2/2012	Bailey et al.	D23/238

* cited by examiner

Primary Examiner — Robert Delehanty

(74) *Attorney, Agent, or Firm* — Edgar A. Zarins; Nirav D. Parikh; Lora J. Graentzdoerffer

(57) **CLAIM**

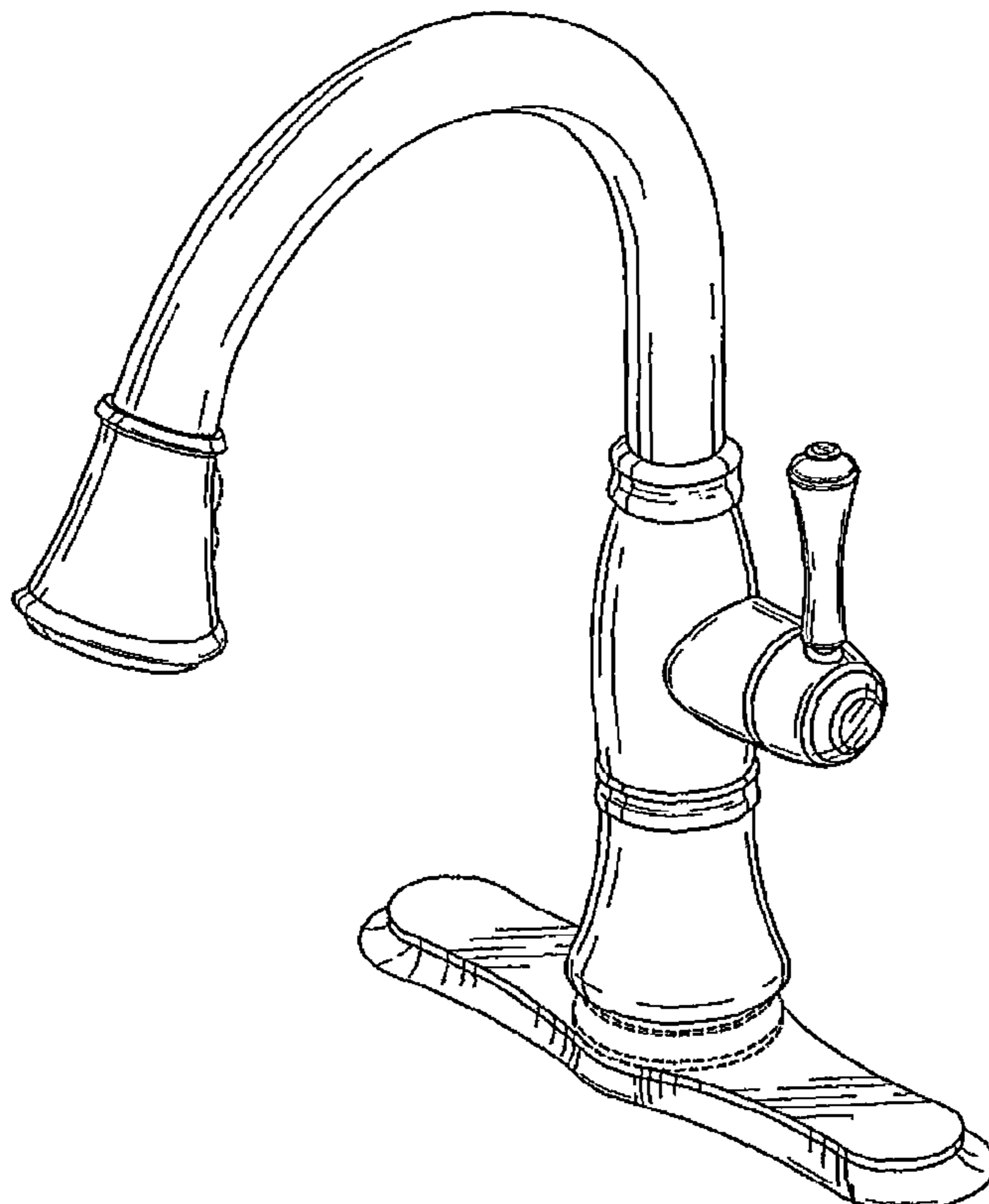
The ornamental design for a faucet, as shown and described.

DESCRIPTION

FIG. 1 is a perspective view of a faucet showing my new design;
FIG. 2 is a front elevational view thereof;
FIG. 3 is a rear view thereof;
FIG. 4 is a right side view thereof;
FIG. 5 is a left side view thereof;
FIG. 6 is a top plan view thereof; and,
FIG. 7 is a bottom view thereof.

The broken line showing portions of the claimed design is included for the purpose of illustrating a portion of the faucet that forms no part of the claimed design.

1 Claim, 2 Drawing Sheets



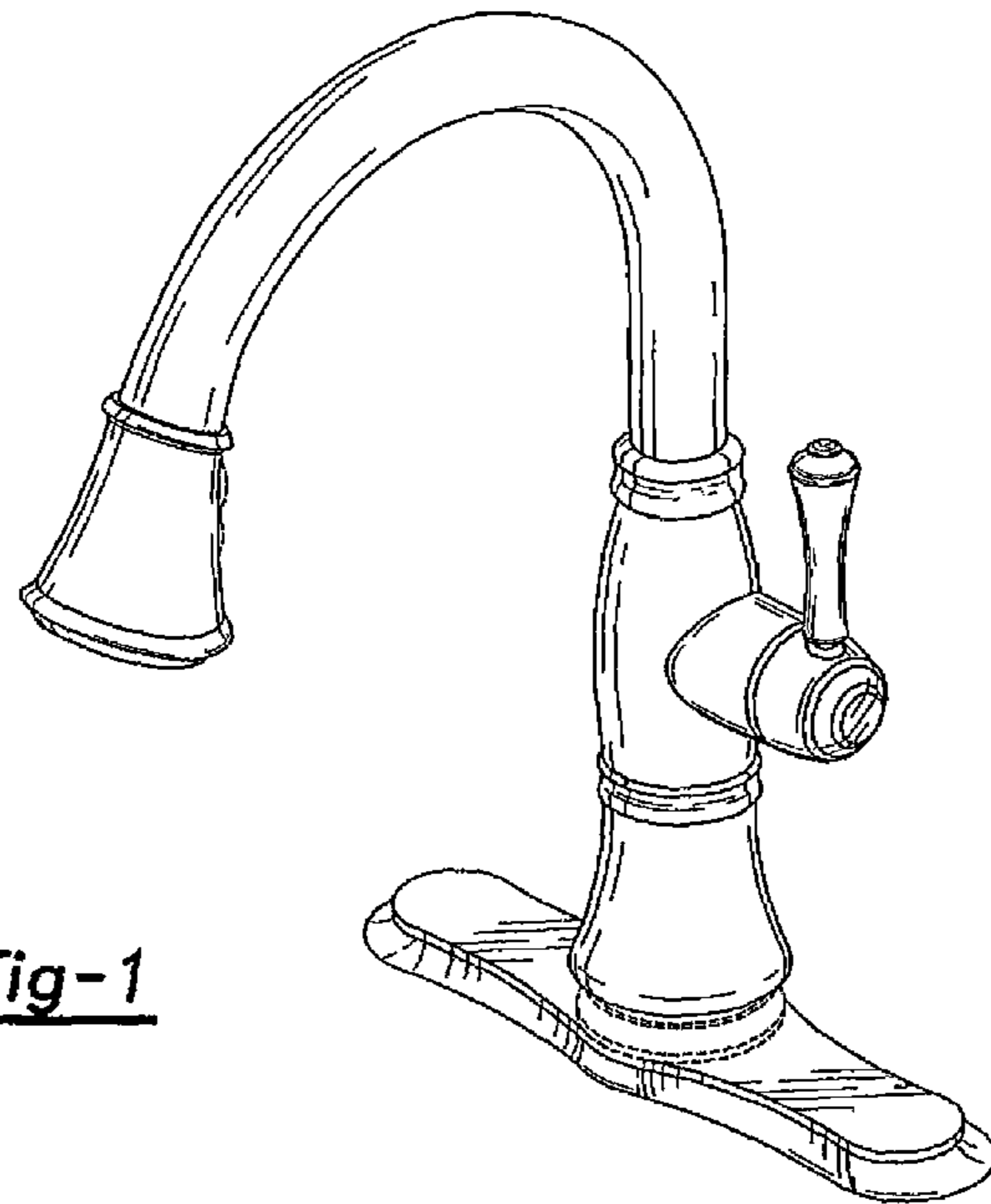


Fig-1

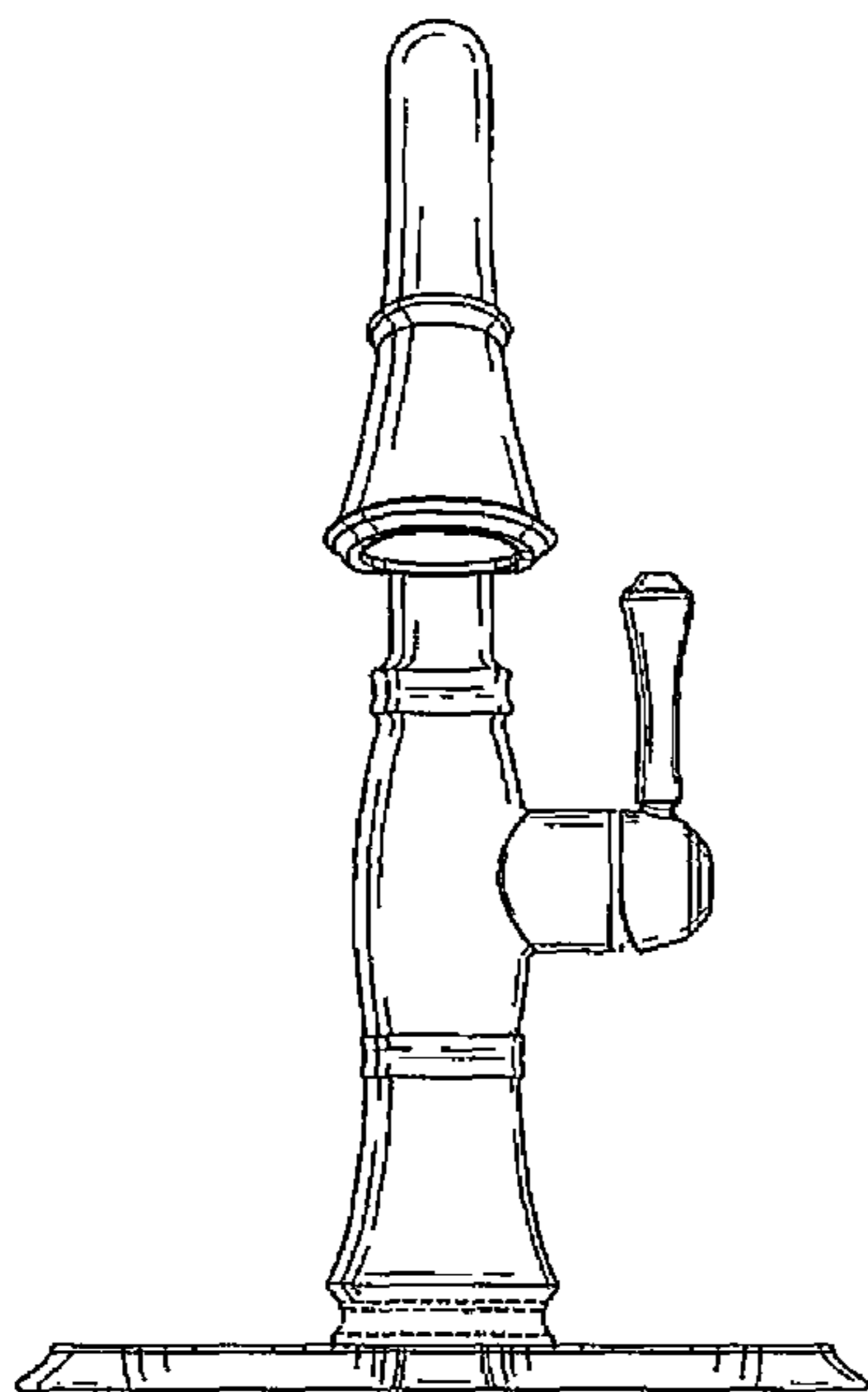


Fig-2

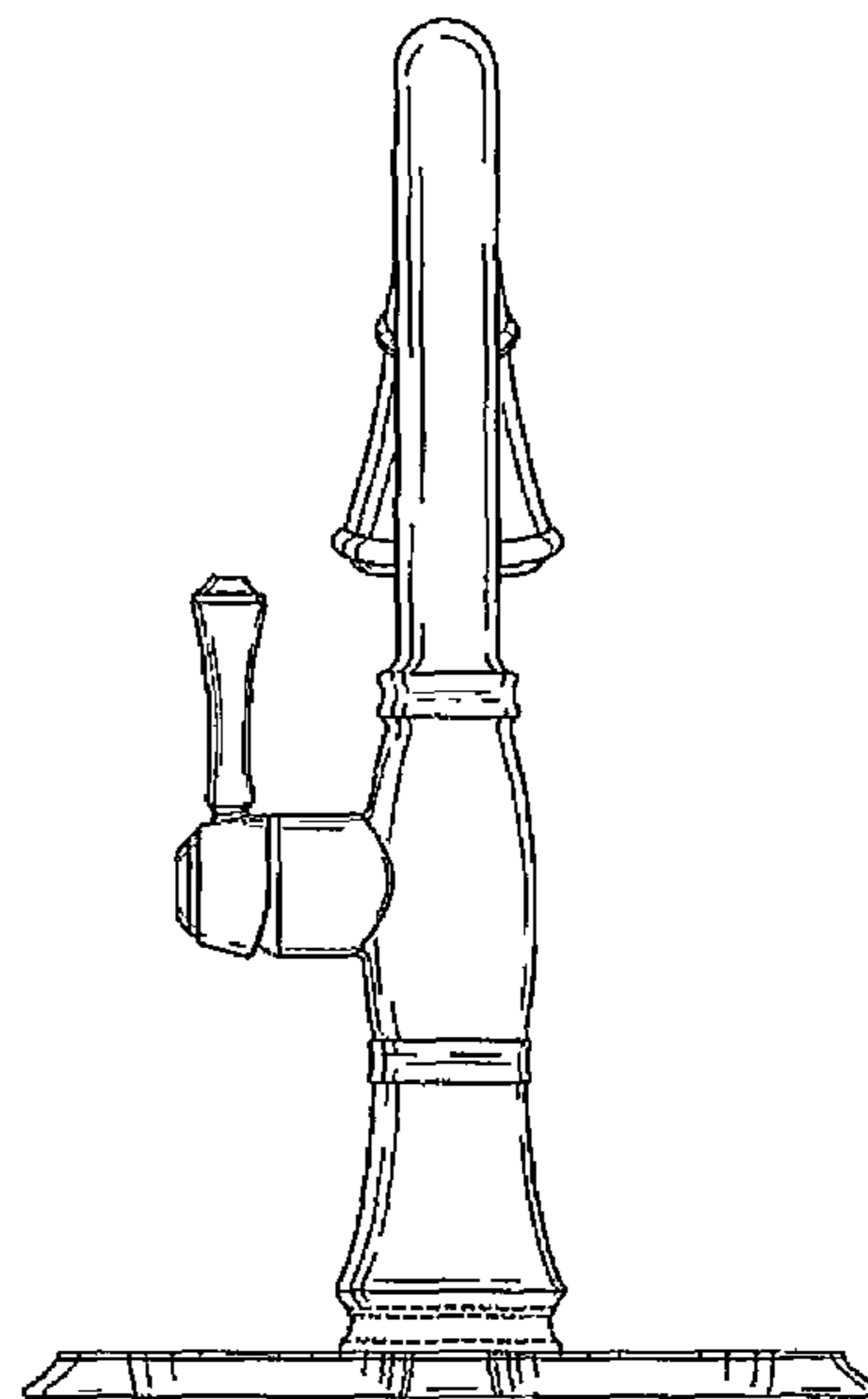


Fig-3

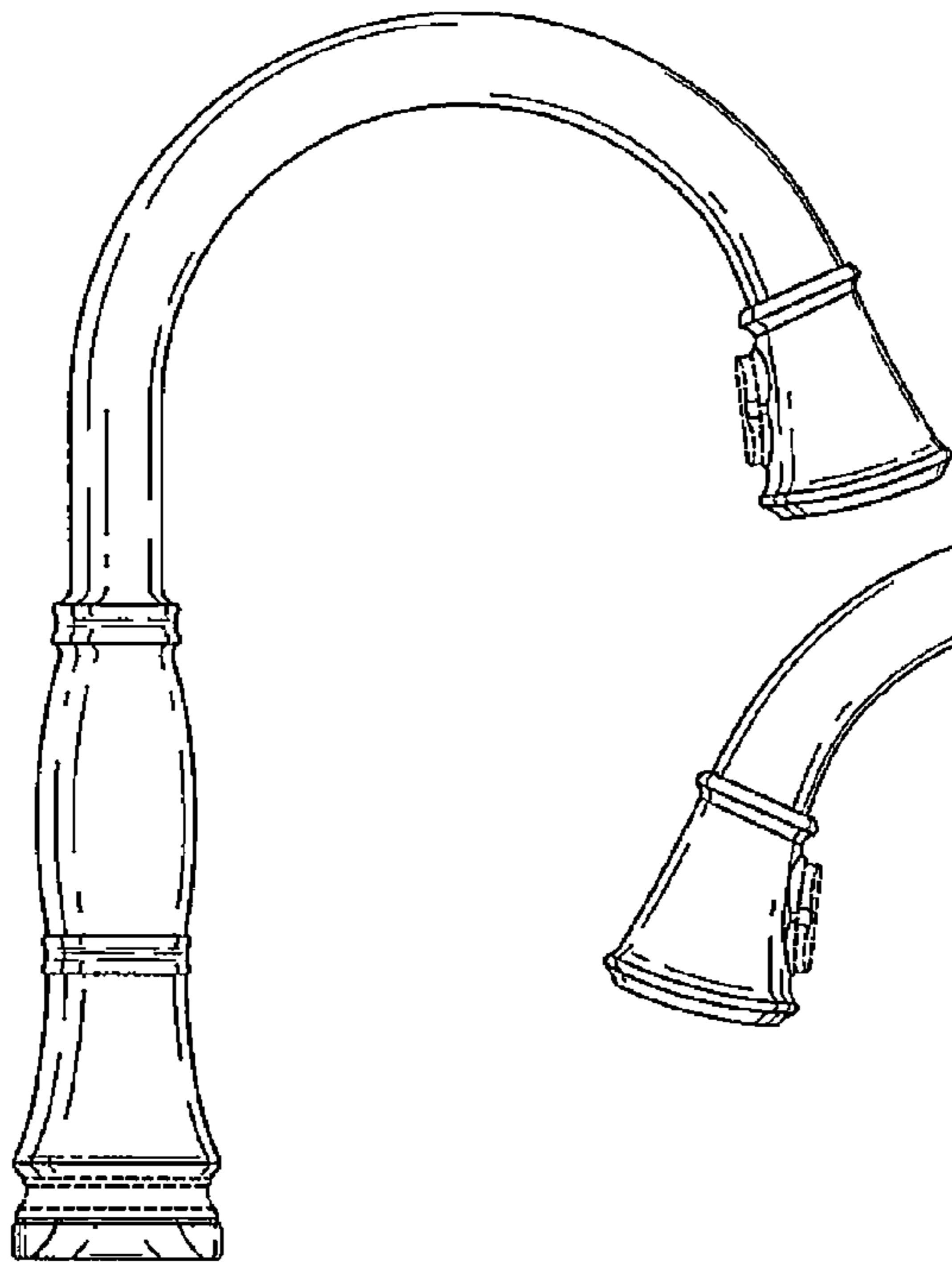


Fig-4

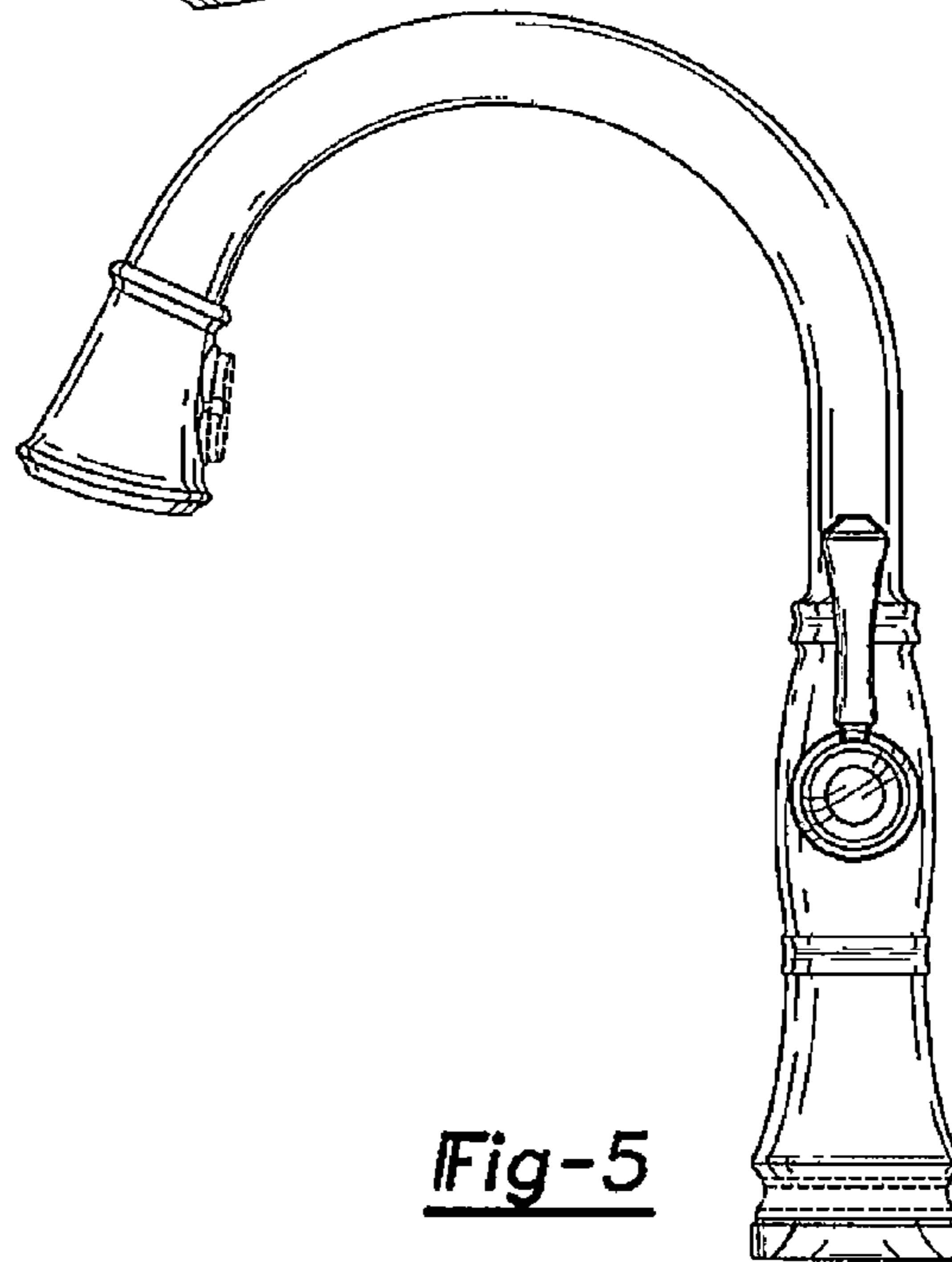


Fig-5

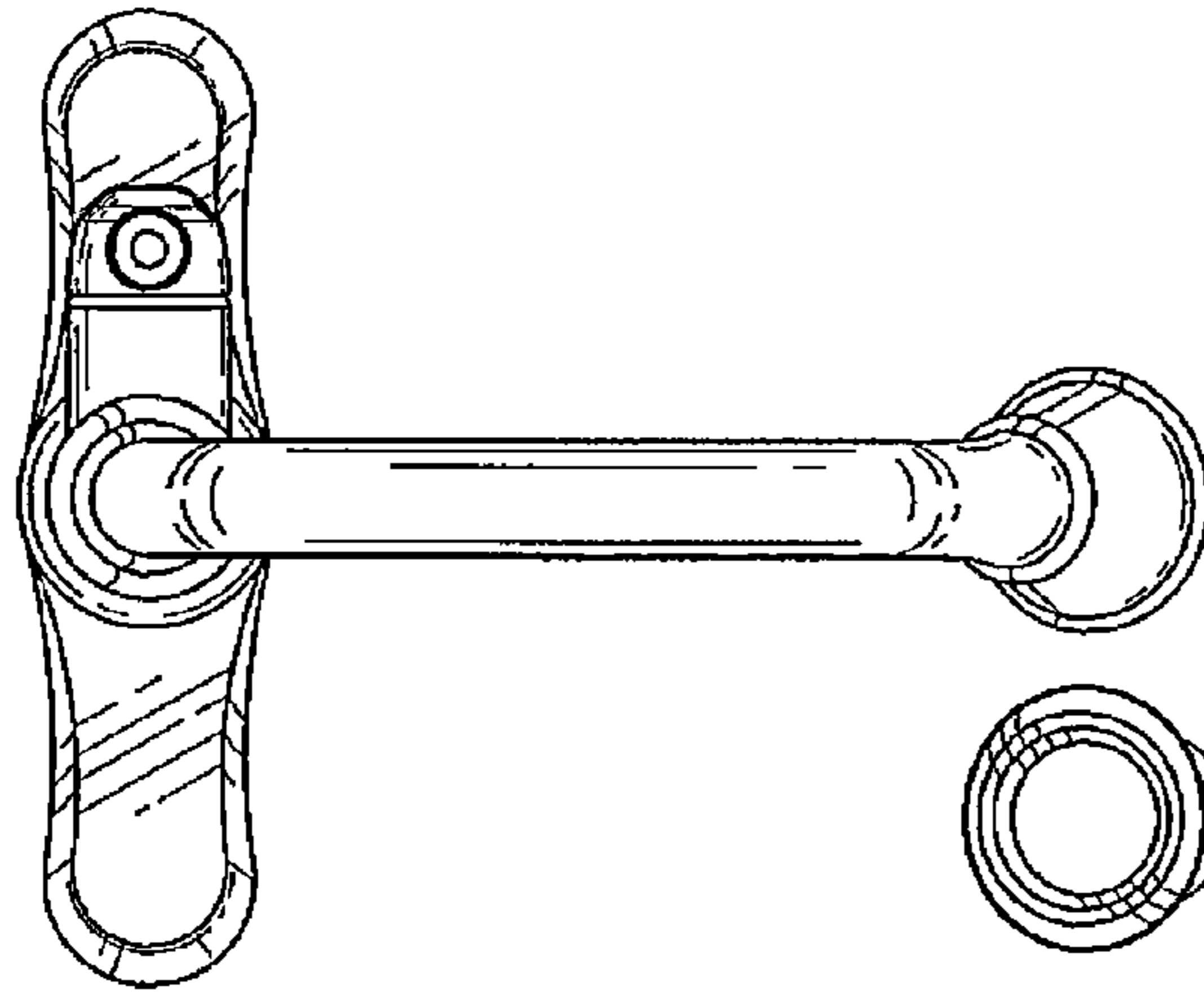


Fig-6

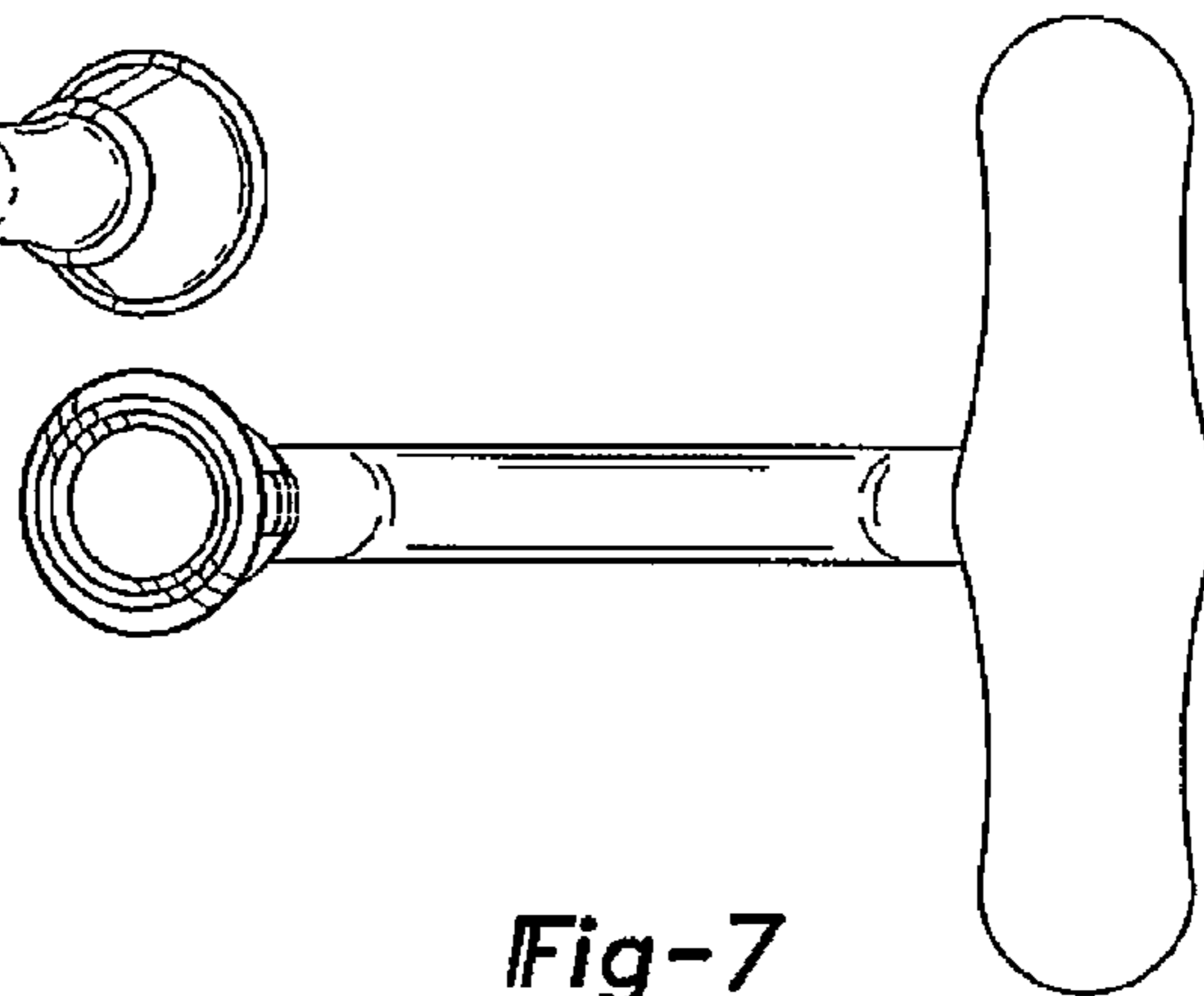


Fig-7