

US00D683820S

(12) **United States Design Patent**
Watanabe et al.

(10) **Patent No.:** **US D683,820 S**
(45) **Date of Patent:** **** Jun. 4, 2013**

(54) **EXPANSION VALVE OF AN AIR
CONDITIONING SYSTEM**
(75) Inventors: **Takeshi Watanabe**, Tokyo (JP);
Takanao Kumakura, Tokyo (JP)
(73) Assignee: **TGK Co., Ltd.**, Tokyo (JP)
(**) Term: **14 Years**

D589,118 S * 3/2009 Watanabe D23/233
D601,662 S * 10/2009 Kobayashi et al. D23/233
D602,560 S * 10/2009 Shimura et al. D23/233
D611,123 S * 3/2010 Matsumoto D23/233
D621,475 S * 8/2010 Matsumoto D23/233
D647,597 S * 10/2011 Kobayashi et al. D23/233
D648,000 S * 11/2011 Shimura et al. D23/233
D648,001 S * 11/2011 Kobayashi et al. D23/233
D649,222 S 11/2011 Kobayashi et al.
2012/0192970 A1 8/2012 Kobayashi et al.

(21) Appl. No.: **29/400,239**
(22) Filed: **Aug. 24, 2011**
(30) **Foreign Application Priority Data**
Feb. 28, 2011 (JP) 2011-004421
(51) **LOC (9) Cl.** **23-01**
(52) **U.S. Cl.**
USPC **D23/233**
(58) **Field of Classification Search**
USPC D23/233-237, 244-249; 137/625.48;
251/14, 64; 62/115, 197, 210, 222-225, 527;
236/63, 64, 66, 92 B; 285/189, 208, 211,
285/368
See application file for complete search history.

FOREIGN PATENT DOCUMENTS

JP 1058854 1/2000
JP 1058880 1/2000
JP 1060988 2/2000
JP 1251393 9/2005
JP 1251487 9/2005
JP 1366424 8/2009
JP 1366425 8/2009
JP 1369333 9/2009
JP 1058295 7/2011
JP 1419584 7/2011
JP 2012-159119 8/2012

* cited by examiner

Primary Examiner — Robin V. Webster
(74) *Attorney, Agent, or Firm* — Martine Penilla Group, LLP

(57) **CLAIM**

The ornamental design for an expansion valve of an air conditioning system, as shown and described.

DESCRIPTION

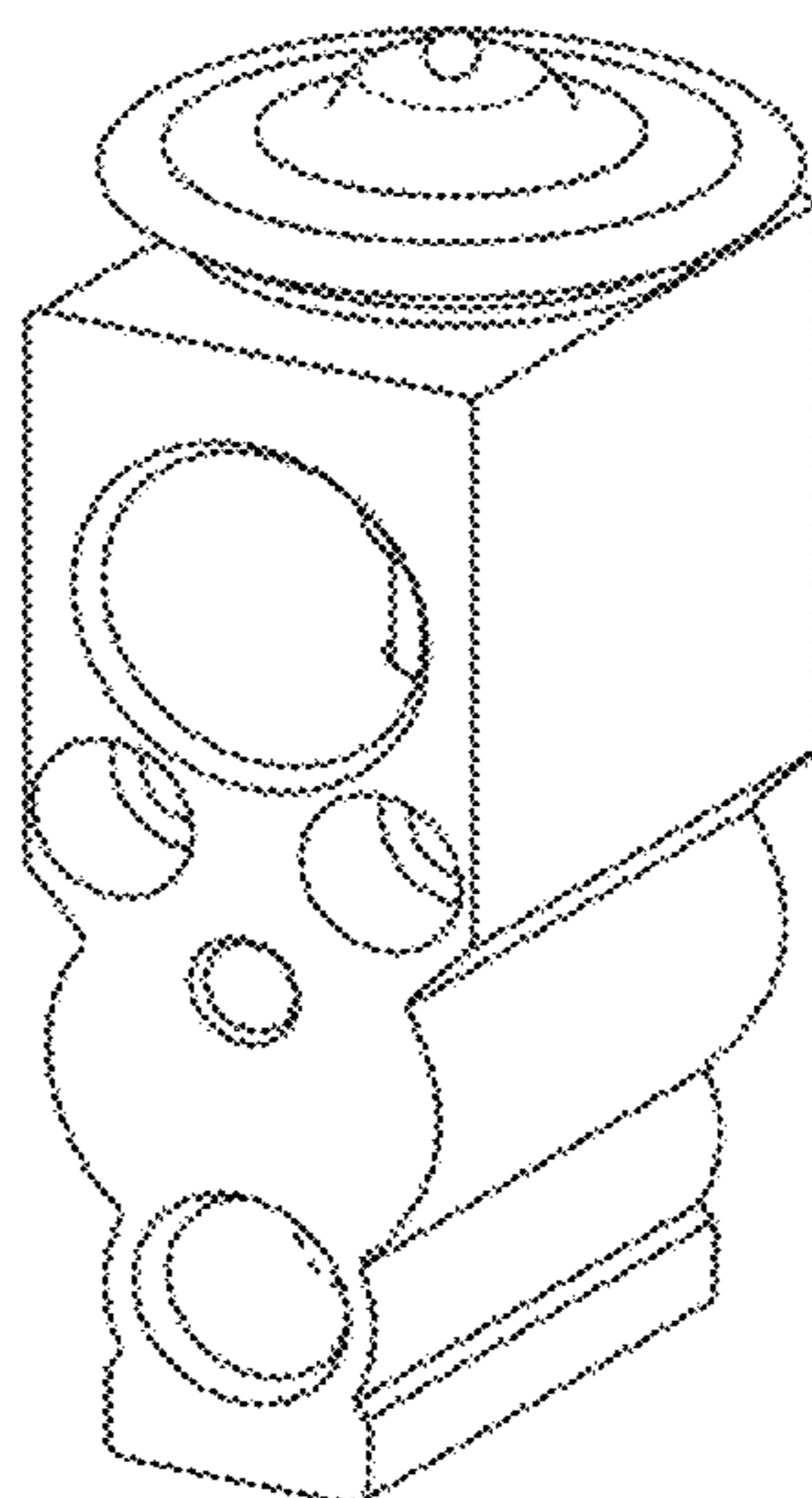
FIG. 1 is plan view of an expansion valve of an air conditioning system;
FIG. 2 is a front view thereof;
FIG. 3 is a rear view thereof;
FIG. 4 is a left side view thereof;
FIG. 5 is a top view thereof; and,
FIG. 6 is a bottom view thereof.
The broken line showing is included for the purpose of illustrating and forms no part of the claimed design.

1 Claim, 6 Drawing Sheets

(56) **References Cited**

U.S. PATENT DOCUMENTS

D413,373 S * 8/1999 Watanabe D23/233
D427,285 S * 6/2000 Watanabe D23/233
D429,315 S * 8/2000 Okada et al. D23/233
D440,632 S * 4/2001 Fukuda et al. D23/233
D494,657 S * 8/2004 Kobayashi et al. D23/233
D494,658 S * 8/2004 Kobayashi et al. D23/233
D498,516 S * 11/2004 Fukuda et al. D23/233
D502,252 S * 2/2005 Fukuda et al. D23/233
D504,714 S * 5/2005 Fukuda et al. D23/233
D505,183 S * 5/2005 Fukuda et al. D23/233
D529,990 S * 10/2006 Kobayashi et al. D23/233
D532,080 S * 11/2006 Kobayashi et al. D23/233
D546,921 S * 7/2007 Kobayashi et al. D23/233



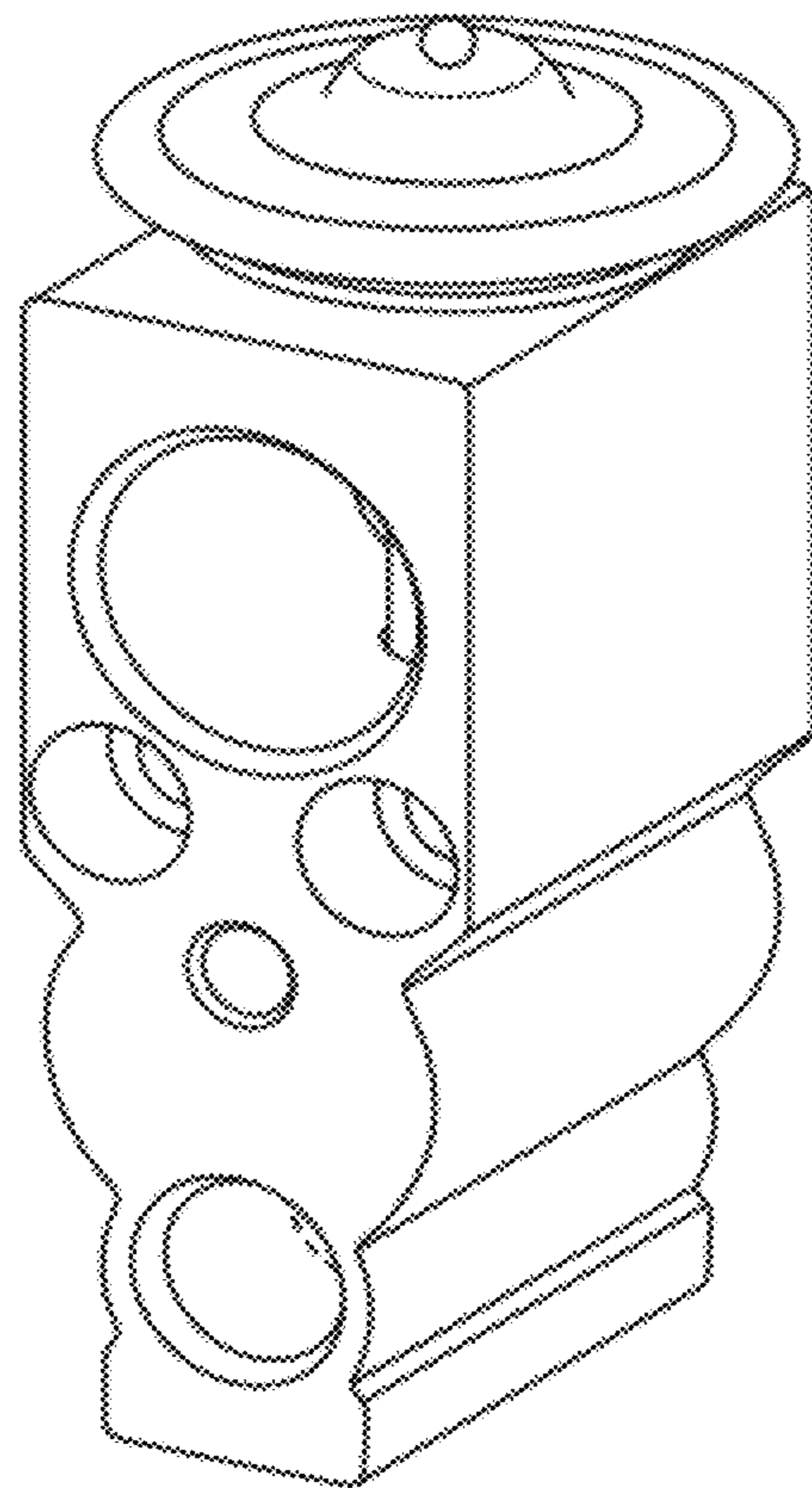


FIG. 1

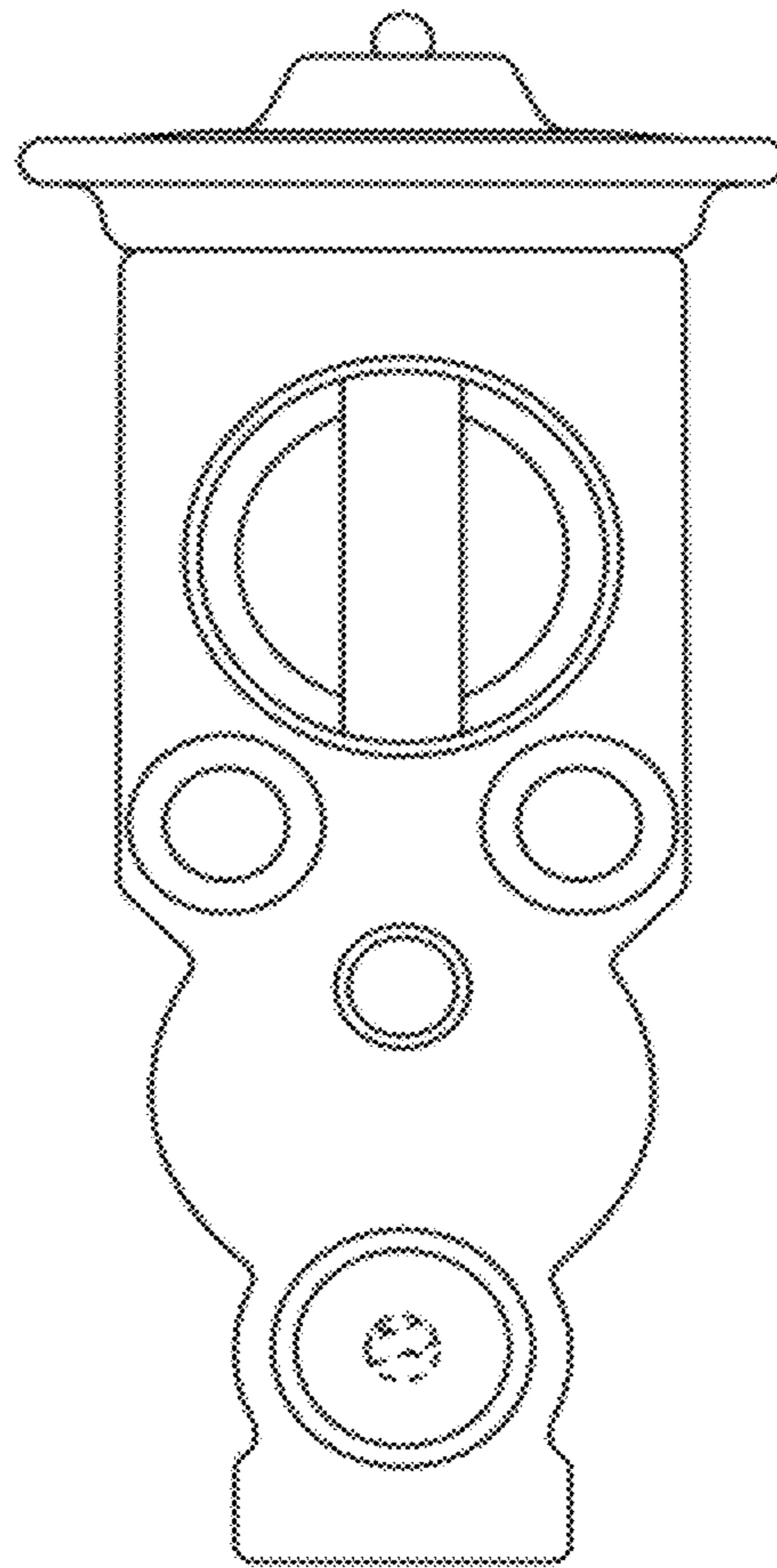


FIG. 2

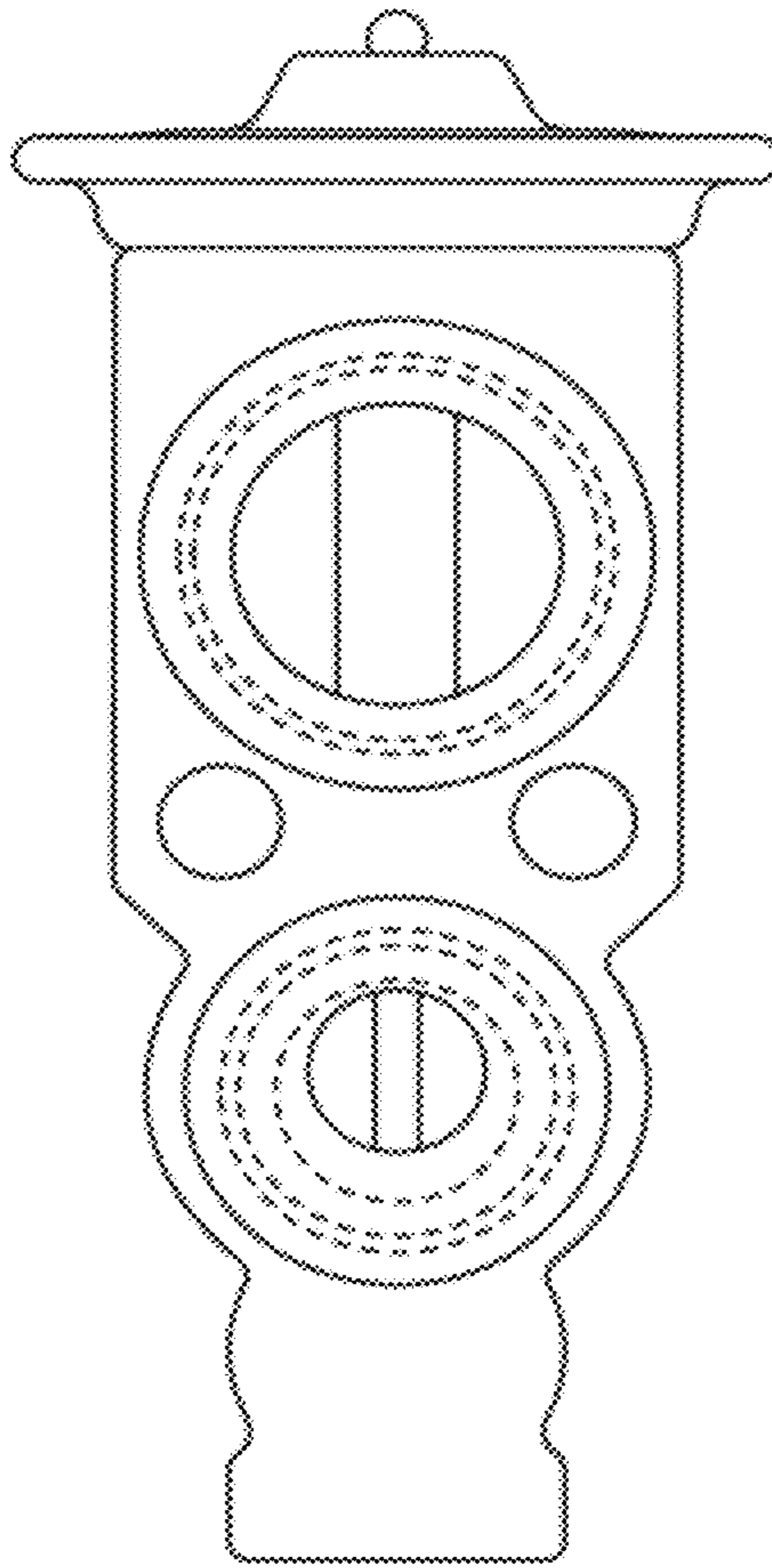


FIG. 3

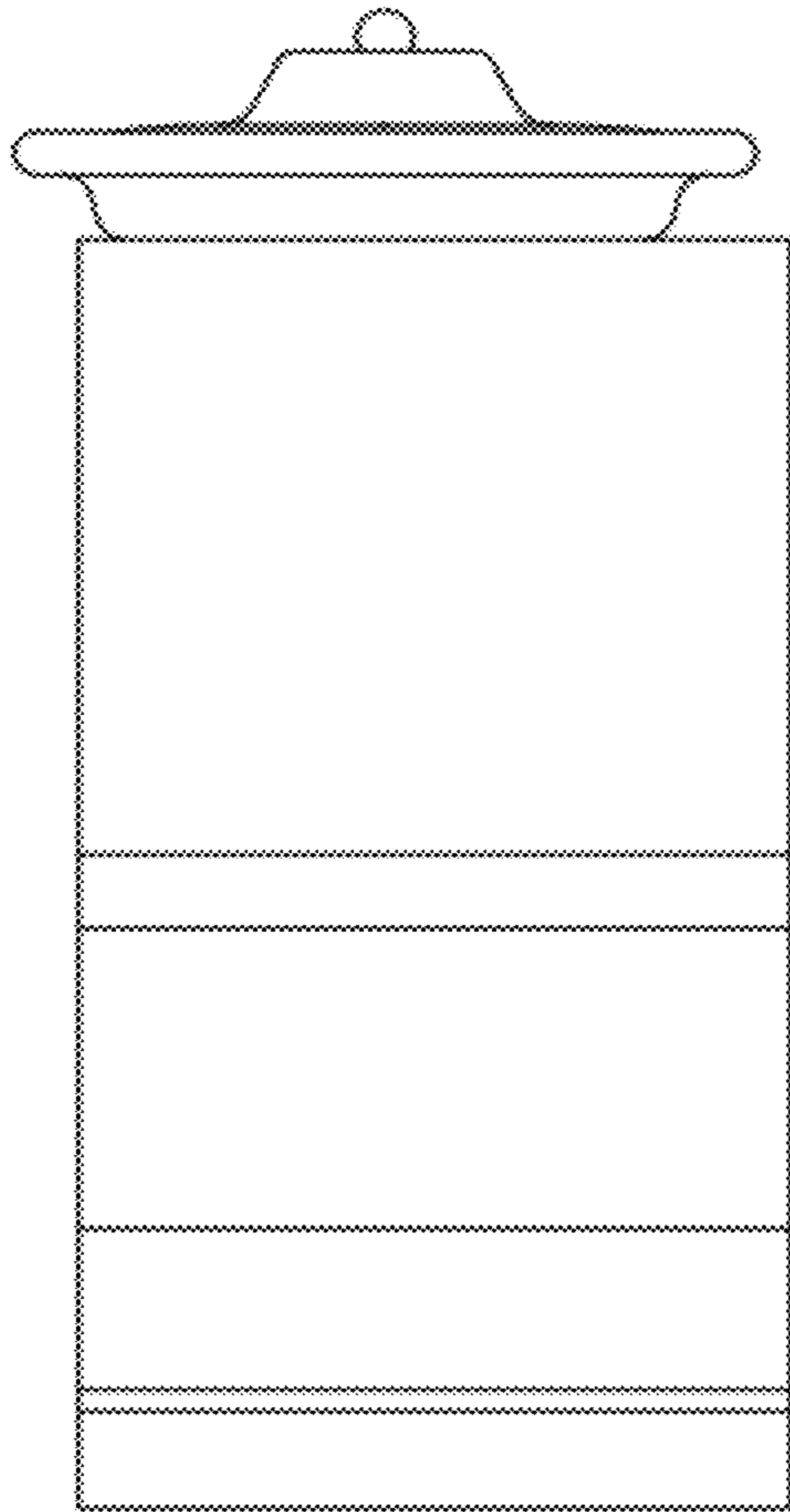


FIG. 4

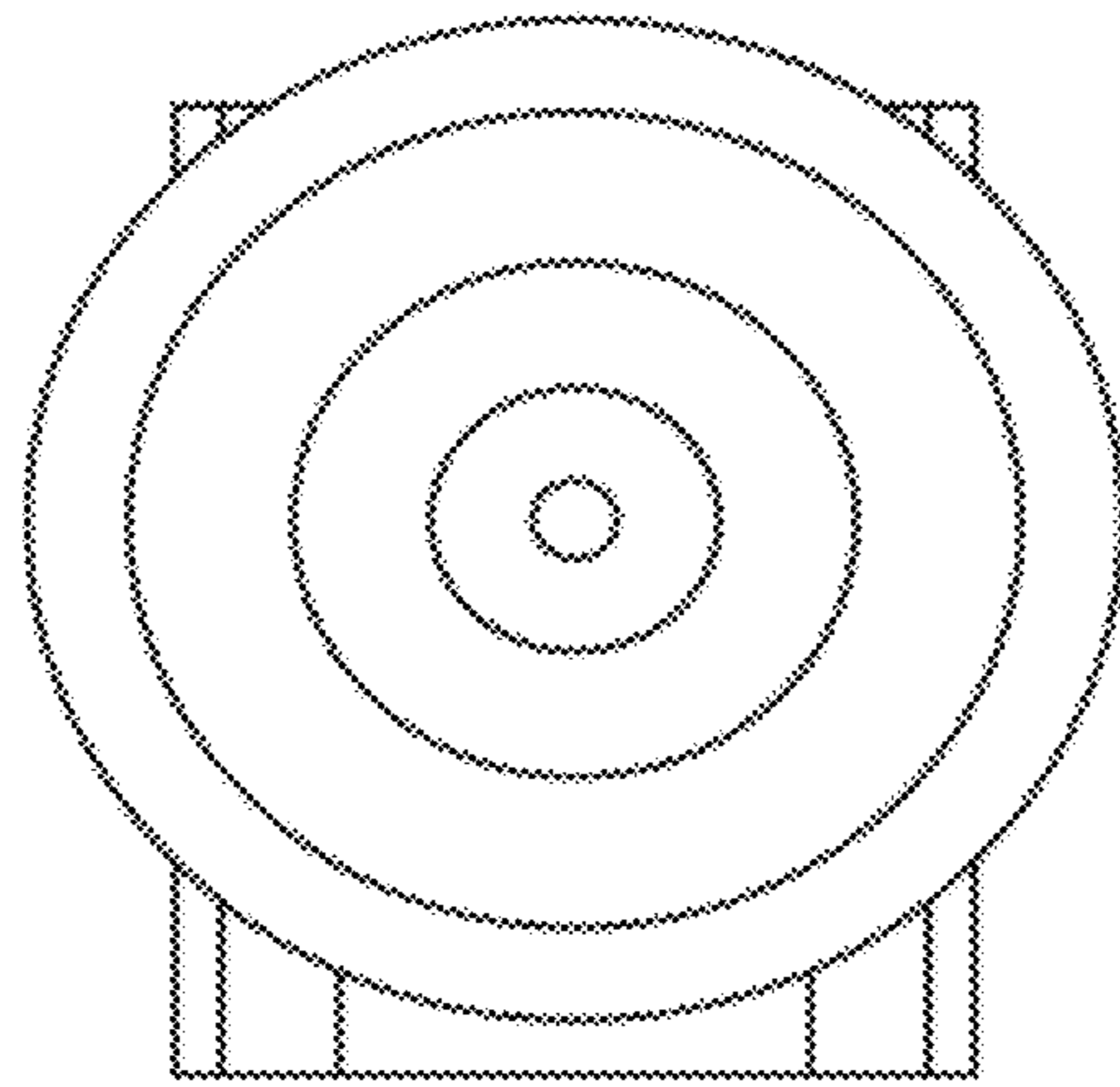


FIG. 5

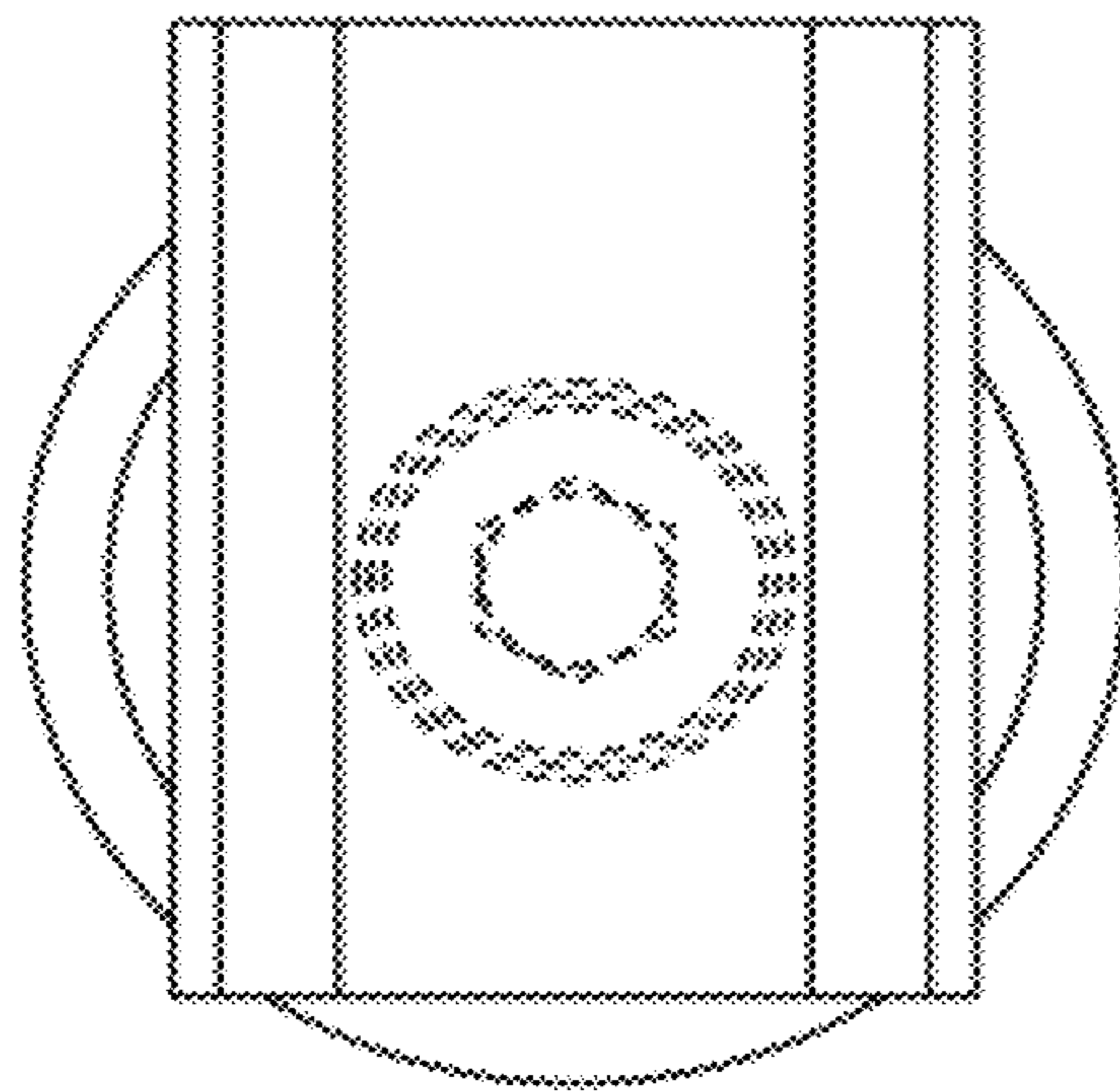


FIG. 6