

US00D683819S

(12) **United States Design Patent**  
**Watanabe et al.**

(10) **Patent No.:** **US D683,819 S**  
(45) **Date of Patent:** **\*\* Jun. 4, 2013**

(54) **EXPANSION VALVE OF AN AIR  
CONDITIONING SYSTEM**  
(75) Inventors: **Takeshi Watanabe**, Tokyo (JP);  
**Takanao Kumakura**, Tokyo (JP)  
(73) Assignee: **TGK Co., Ltd.**, Tokyo (JP)  
(\*\*) Term: **14 Years**

D589,118 S \* 3/2009 Watanabe ..... D23/233  
D601,662 S \* 10/2009 Kobayashi et al. .... D23/233  
D602,560 S \* 10/2009 Shimura et al. .... D23/233  
D611,123 S \* 3/2010 Matsumoto ..... D23/233  
D621,475 S \* 8/2010 Matsumoto ..... D23/233  
D647,597 S \* 10/2011 Kobayashi et al. .... D23/233  
D648,000 S \* 11/2011 Shimura et al. .... D23/233  
D648,001 S \* 11/2011 Kobayashi et al. .... D23/233  
D649,222 S 11/2011 Kobayashi et al.  
2012/0192970 A1 8/2012 Kobayashi et al.

(21) Appl. No.: **29/400,238**  
(22) Filed: **Aug. 24, 2011**  
(30) **Foreign Application Priority Data**  
Feb. 28, 2011 (JP) ..... 2011-004420  
(51) **LOC (9) Cl.** ..... **23-01**  
(52) **U.S. Cl.**  
USPC ..... **D23/233**  
(58) **Field of Classification Search**  
USPC ..... D23/233-237, 244-249; 137/625.48;  
251/14, 64; 62/115, 197, 210, 222-225, 527;  
236/63, 64, 66, 92 B; 285/189, 208, 211,  
285/368  
See application file for complete search history.

**FOREIGN PATENT DOCUMENTS**

JP 1058854 1/2000  
JP 1058880 1/2000  
JP 1060988 2/2000  
JP 1251393 9/2005  
JP 1251487 9/2005  
JP 1366424 8/2009  
JP 1366425 8/2009  
JP 1369333 9/2009  
JP 1058295 7/2011  
JP 1419584 7/2011  
JP 2012-159119 8/2012

\* cited by examiner

*Primary Examiner* — Robin V Webster  
(74) *Attorney, Agent, or Firm* — Martine Penilla Group, LLP

(57) **CLAIM**

The ornamental design for an expansion valve of an air conditioning system, as shown and described.

**DESCRIPTION**

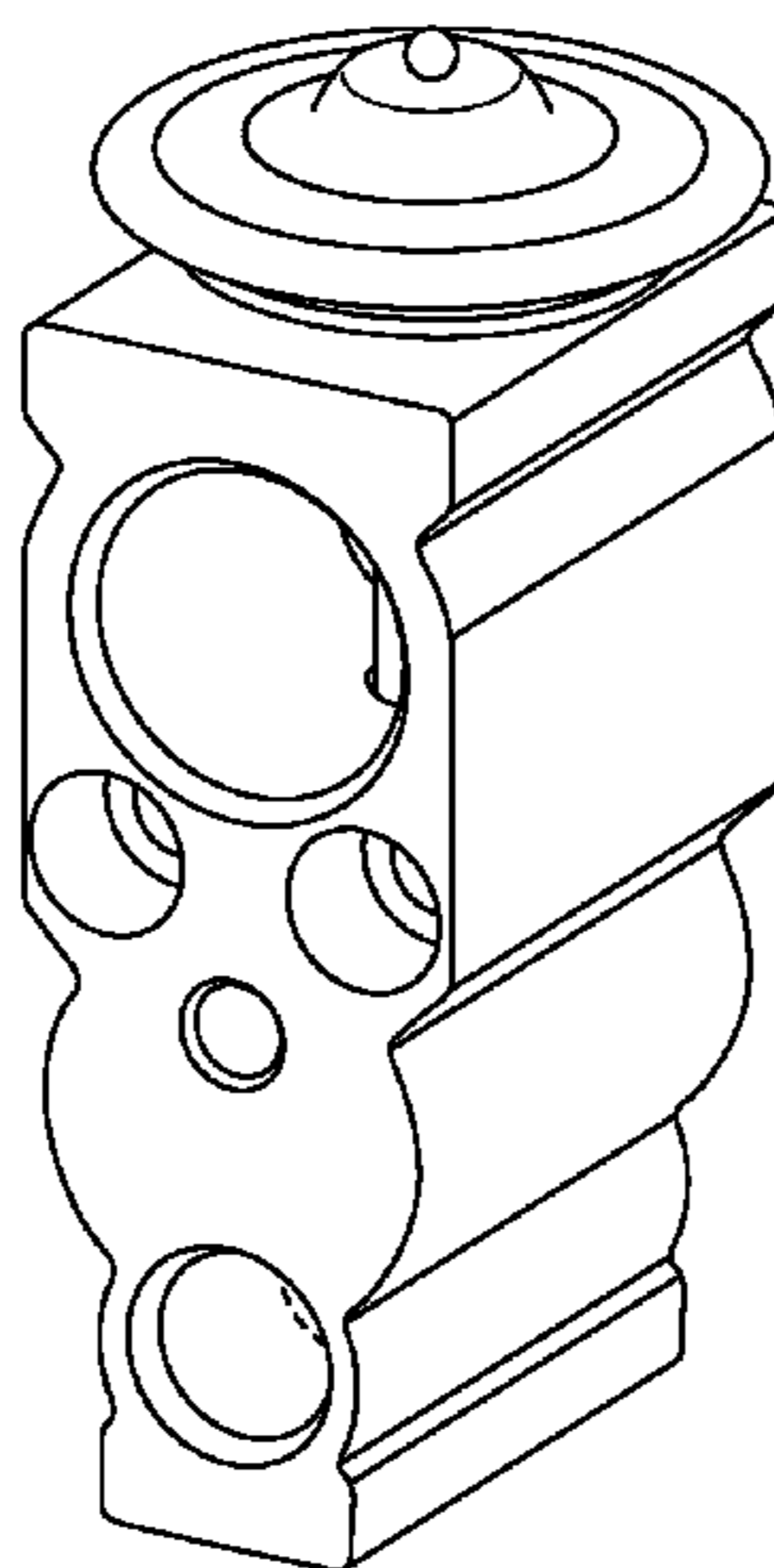
FIG. 1 is a plan view of an expansion valve of an air conditioning system;  
FIG. 2 is a front view thereof;  
FIG. 3 is a rear view thereof;  
FIG. 4 is a left side view thereof;  
FIG. 5 is a top view thereof; and,  
FIG. 6 is a bottom view thereof.  
The broken line showing is included for the purpose of illustrating and forms no part of the claimed design.

**1 Claim, 6 Drawing Sheets**

(56) **References Cited**

**U.S. PATENT DOCUMENTS**

D413,373 S \* 8/1999 Watanabe ..... D23/233  
D427,285 S \* 6/2000 Watanabe ..... D23/233  
D429,315 S \* 8/2000 Okada et al. .... D23/233  
D440,632 S \* 4/2001 Fukuda et al. .... D23/233  
D494,657 S \* 8/2004 Kobayashi et al. .... D23/233  
D494,658 S \* 8/2004 Kobayashi et al. .... D23/233  
D498,516 S \* 11/2004 Fukuda et al. .... D23/233  
D502,252 S \* 2/2005 Fukuda et al. .... D23/233  
D504,714 S \* 5/2005 Fukuda et al. .... D23/233  
D505,183 S \* 5/2005 Fukuda et al. .... D23/233  
D529,990 S \* 10/2006 Kobayashi et al. .... D23/233  
D532,080 S \* 11/2006 Kobayashi et al. .... D23/233  
D546,921 S \* 7/2007 Kobayashi et al. .... D23/233



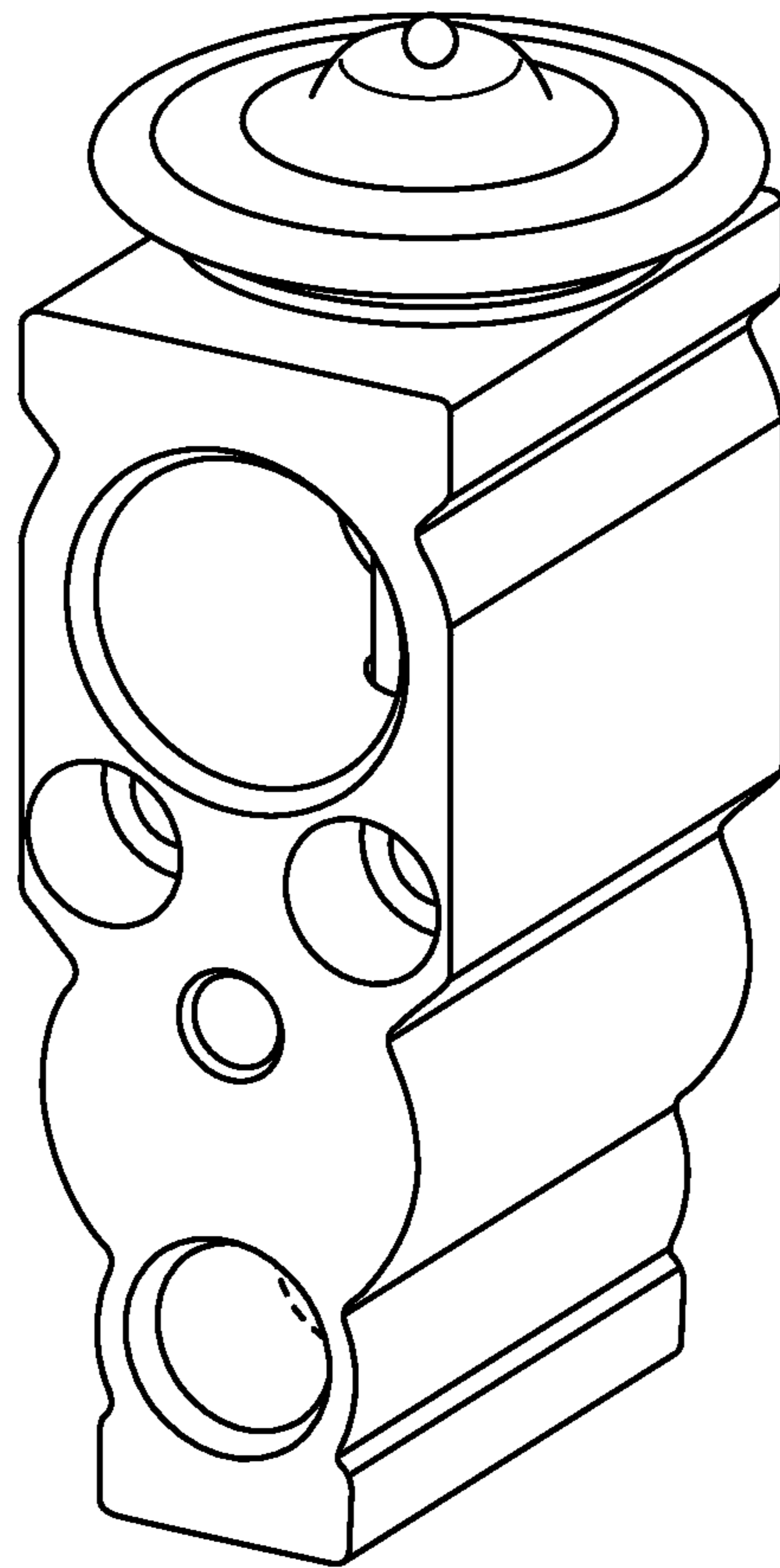


FIG. 1

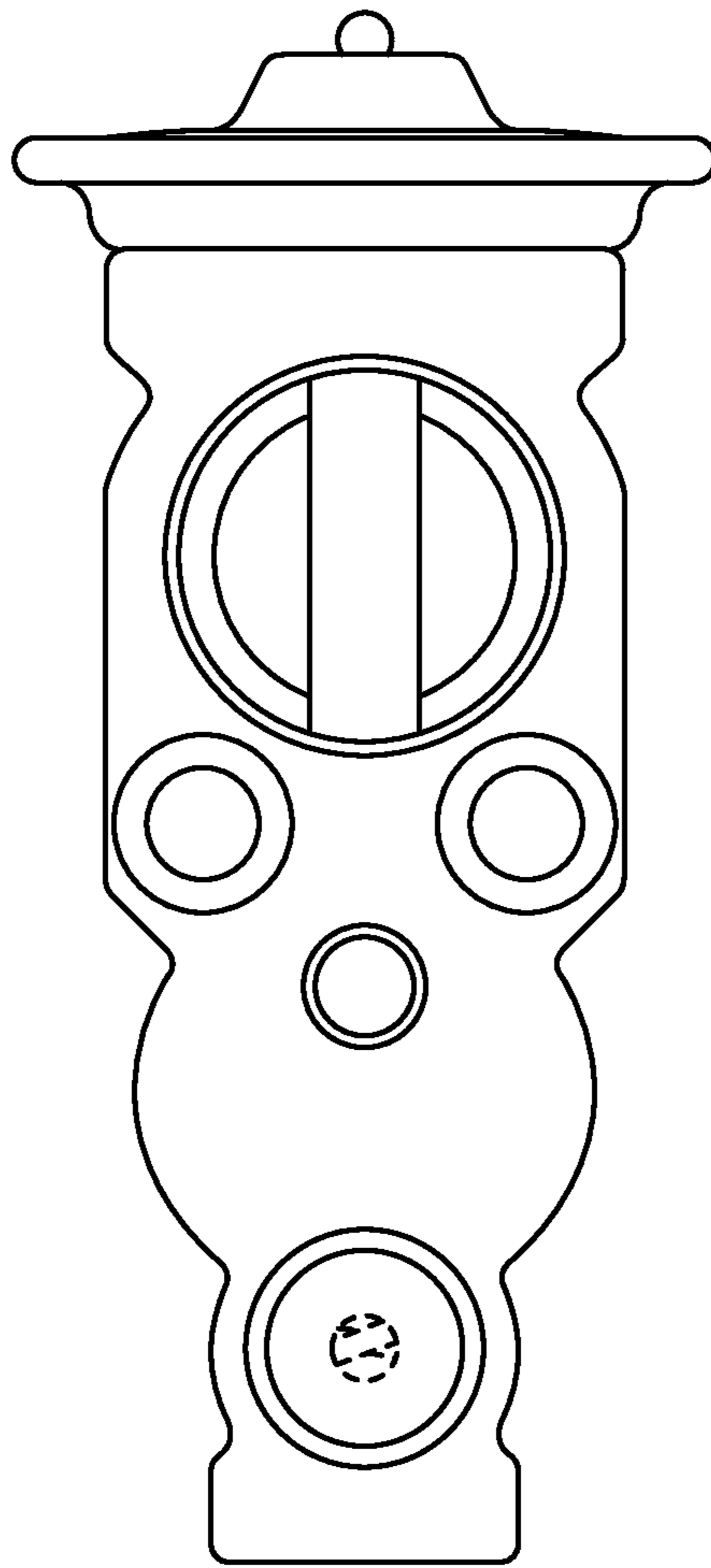


FIG. 2

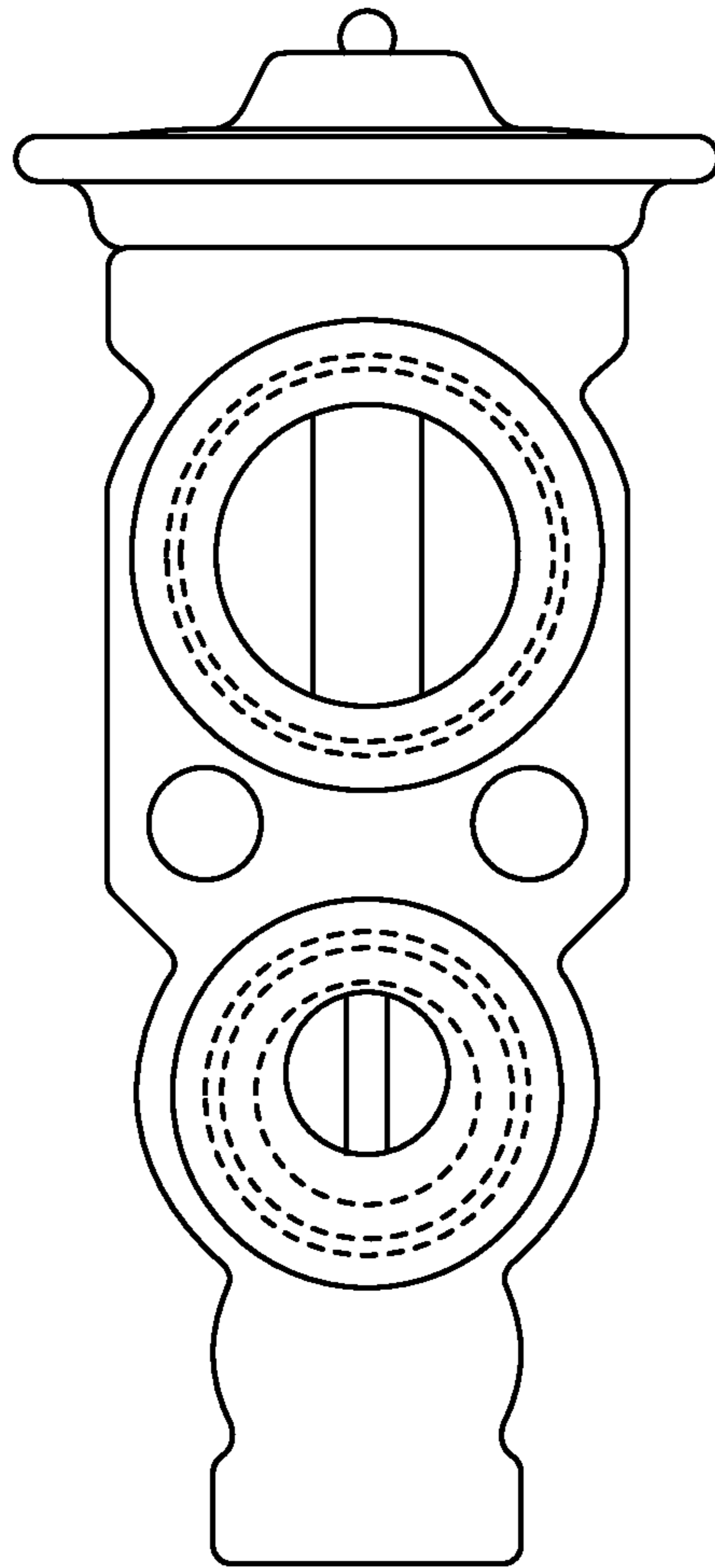


FIG. 3

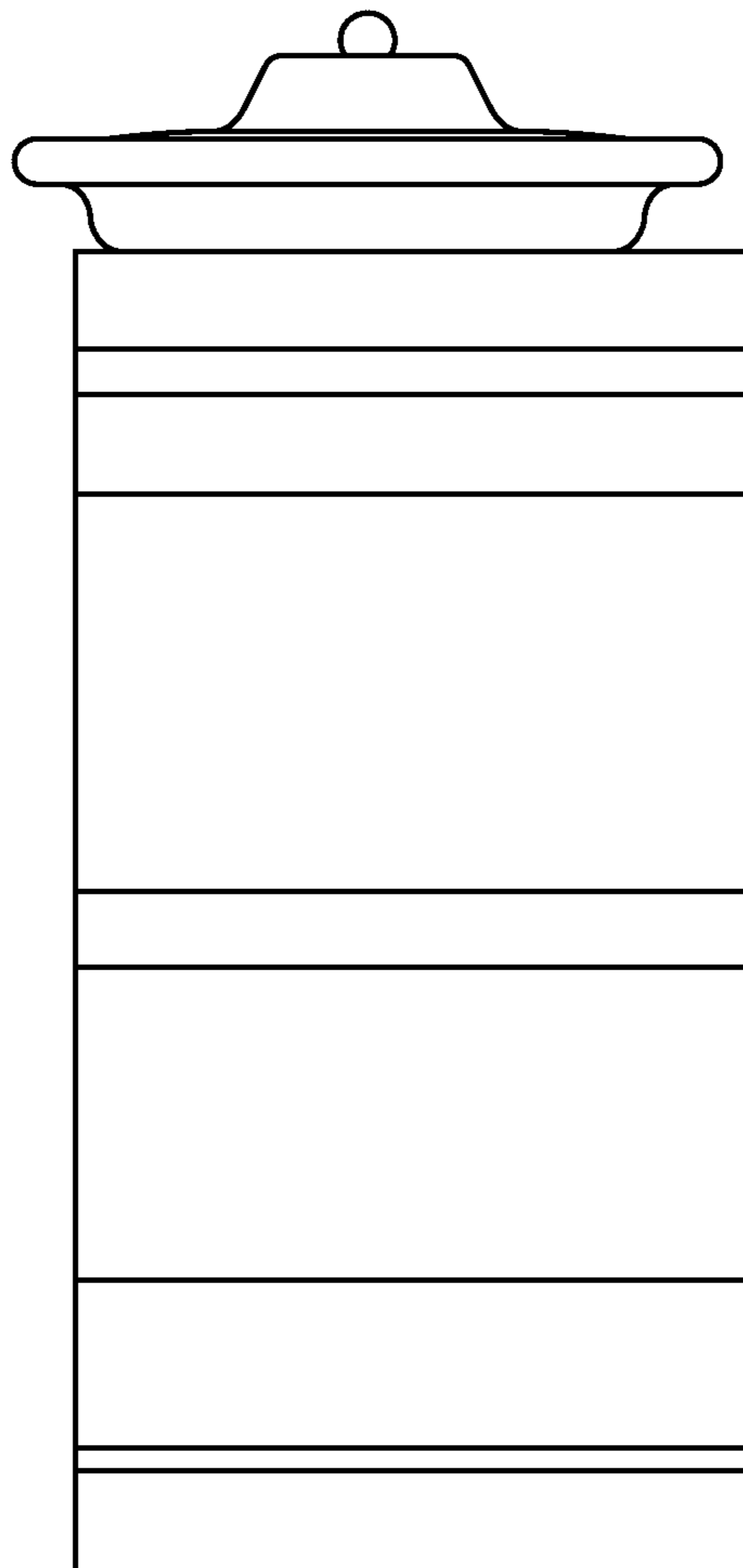


FIG. 4

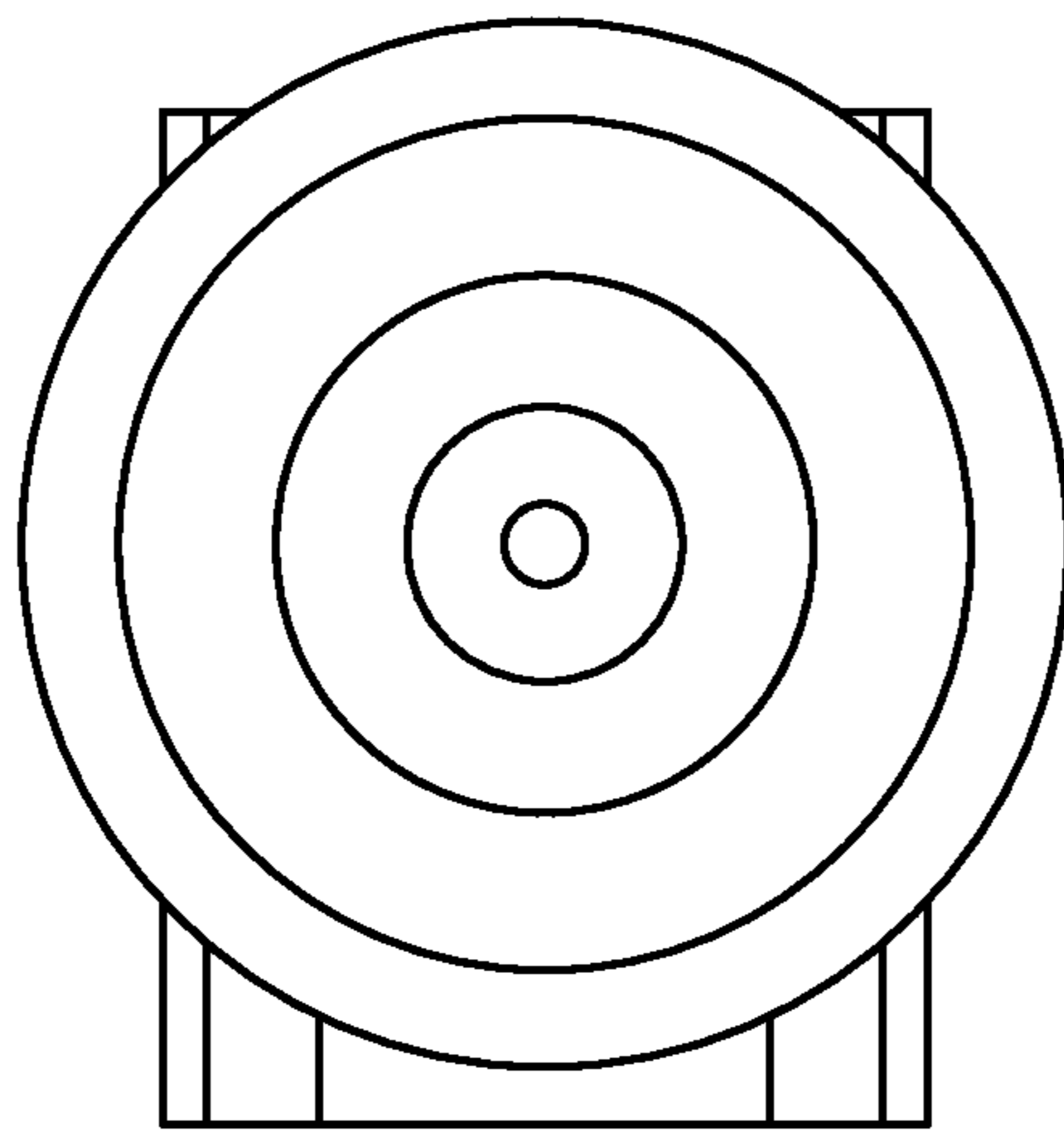


FIG. 5

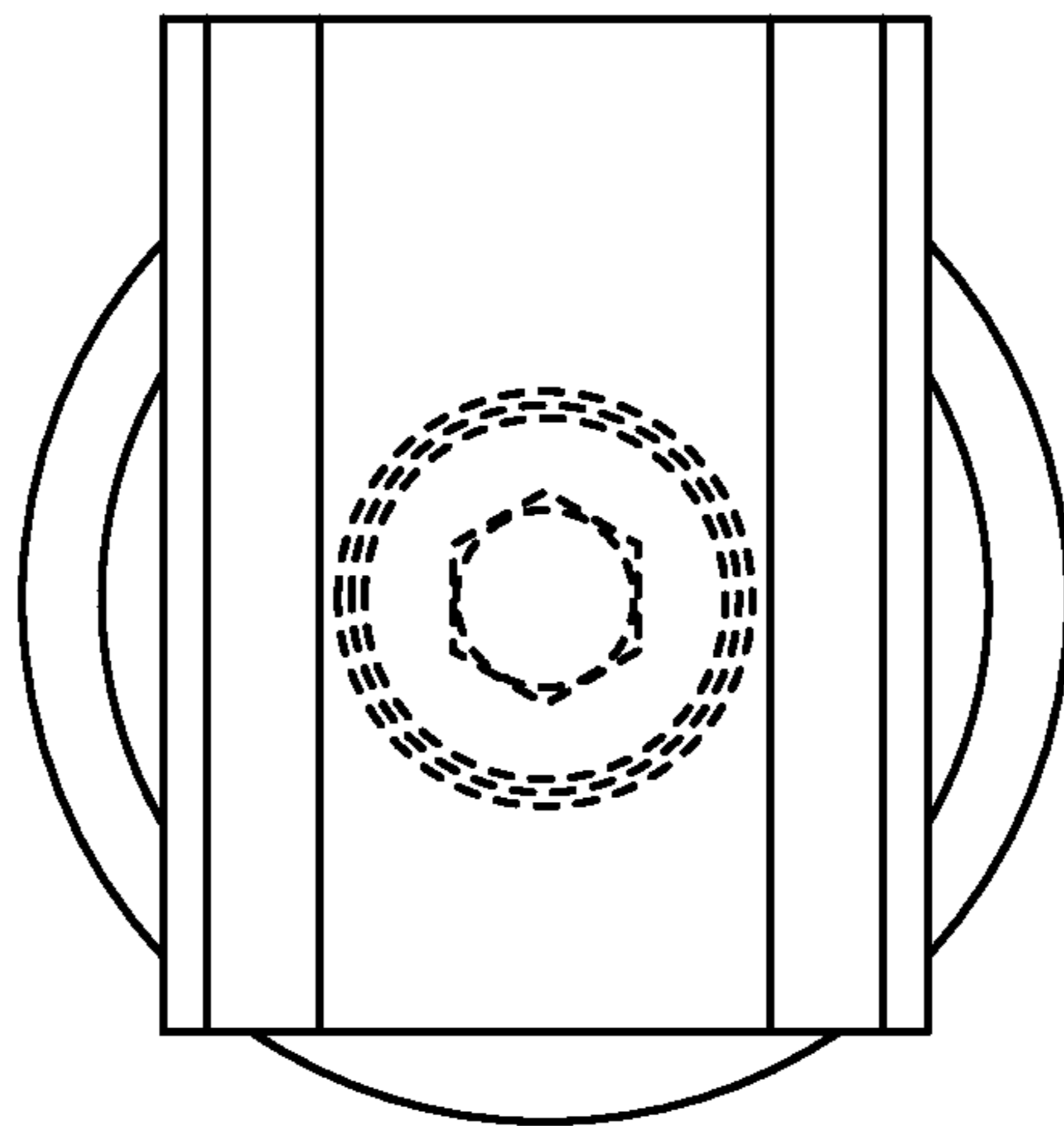


FIG. 6