



US00D683816S

(12) **United States Design Patent**
Kobayashi et al.

(10) **Patent No.:** **US D683,816 S**
(45) **Date of Patent:** **** Jun. 4, 2013**

(54) **EXPANSION VALVE**

(75) Inventors: **Kazuto Kobayashi**, Tokyo (JP); **Takashi Mogi**, Tokyo (JP)

(73) Assignee: **Fujikoki Corporation**, Tokyo (JP)

(**) **Term:** **14 Years**

(21) **Appl. No.:** **29/371,806**

(22) **Filed:** **Oct. 11, 2011**

(30) **Foreign Application Priority Data**

Jun. 6, 2011 (JP) 2011-012769

(51) **LOC (9) Cl.** **23-01**

(52) **U.S. Cl.**
USPC **D23/233**

(58) **Field of Classification Search**
USPC D23/233-237, 244-249; 137/625.48;
251/14, 64; 62/115, 197, 210, 222-225, 527;
236/63-64, 66, 92 B; 285/189, 208, 211,
285/368
See application file for complete search history.

(56) **References Cited**

U.S. PATENT DOCUMENTS

D427,285 S *	6/2000	Watanabe	D23/233
D429,315 S *	8/2000	Okada et al.	D23/233
6,412,703 B2 *	7/2002	Yano et al.	236/92 B
D494,657 S *	8/2004	Kobayashi et al.	D23/233
D494,658 S *	8/2004	Kobayashi et al.	D23/233
D504,714 S *	5/2005	Fukuda et al.	D23/233
D532,080 S *	11/2006	Kobayashi et al.	D23/233
7,185,826 B2 *	3/2007	Nanbu et al.	236/92 B
D542,888 S *	5/2007	Ye et al.	D23/233
D546,921 S *	7/2007	Kobayashi et al.	D23/233
D552,716 S *	10/2007	Chastine et al.	D23/233

D589,118 S *	3/2009	Watanabe	D23/233
D602,560 S *	10/2009	Shimura et al.	D23/233
D621,475 S *	8/2010	Matsumoto	D23/233
D647,597 S *	10/2011	Kobayashi et al.	D23/233
D648,000 S *	11/2011	Shimura et al.	D23/233
D648,001 S *	11/2011	Kobayashi et al.	D23/233
D648,418 S *	11/2011	Kobayashi et al.	D23/233
D648,419 S *	11/2011	Shimura et al.	D23/233
D649,222 S *	11/2011	Kobayashi et al.	D23/233
D668,321 S *	10/2012	Senba	D23/233
2002/0162896 A1 *	11/2002	Kobayashi et al.	236/92 B
2004/0026524 A1 *	2/2004	Yano et al.	236/92 B
2004/0112974 A1 *	6/2004	Law et al.	236/92 B
2007/0194140 A1 *	8/2007	Nestler et al.	236/92 B
2008/0185452 A1 *	8/2008	Kobayashi et al.	236/92 B

* cited by examiner

Primary Examiner — Cynthia Ramirez

(74) *Attorney, Agent, or Firm* — Manabu Kanesaka

(57) **CLAIM**

The ornamental design for an expansion valve, as shown and described.

DESCRIPTION

FIG. 1 is a front perspective view of an expansion valve showing our new design;

FIG. 2 is a rear perspective view thereof;

FIG. 3 is a front view thereof;

FIG. 4 is a rear view thereof;

FIG. 5 is a right side view thereof, a left side view being symmetrical to the right side view;

FIG. 6 is a top plan view thereof;

FIG. 7 is a bottom plan view thereof;

FIG. 8 is a cross-sectional view of line 8-8 in FIG. 3; and,

FIG. 9 is a cross-sectional view of line 9-9 in FIG. 3.

The broken lines depict portions of the expansion valve that form no part of claimed design.

1 Claim, 9 Drawing Sheets

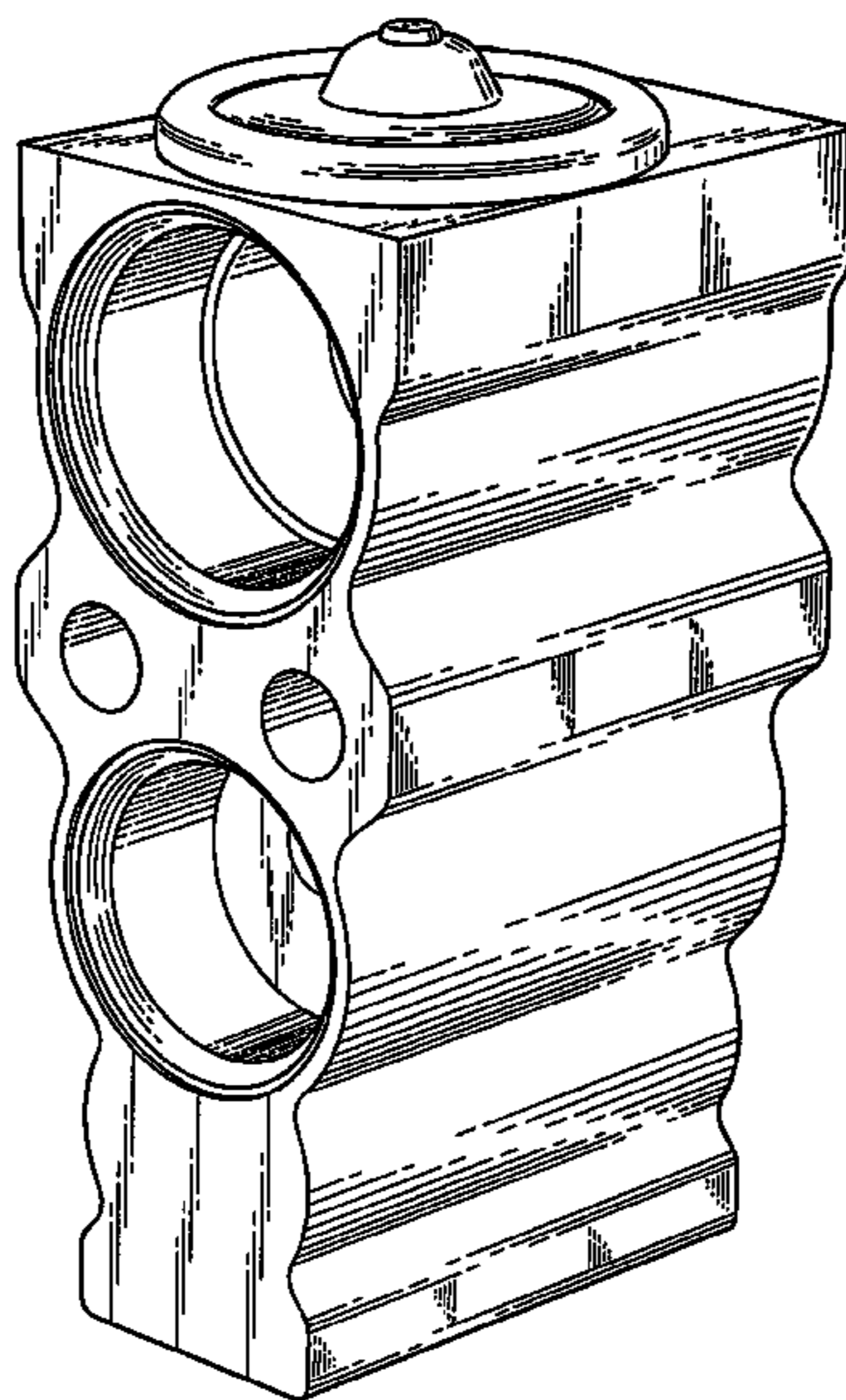


FIG. 1

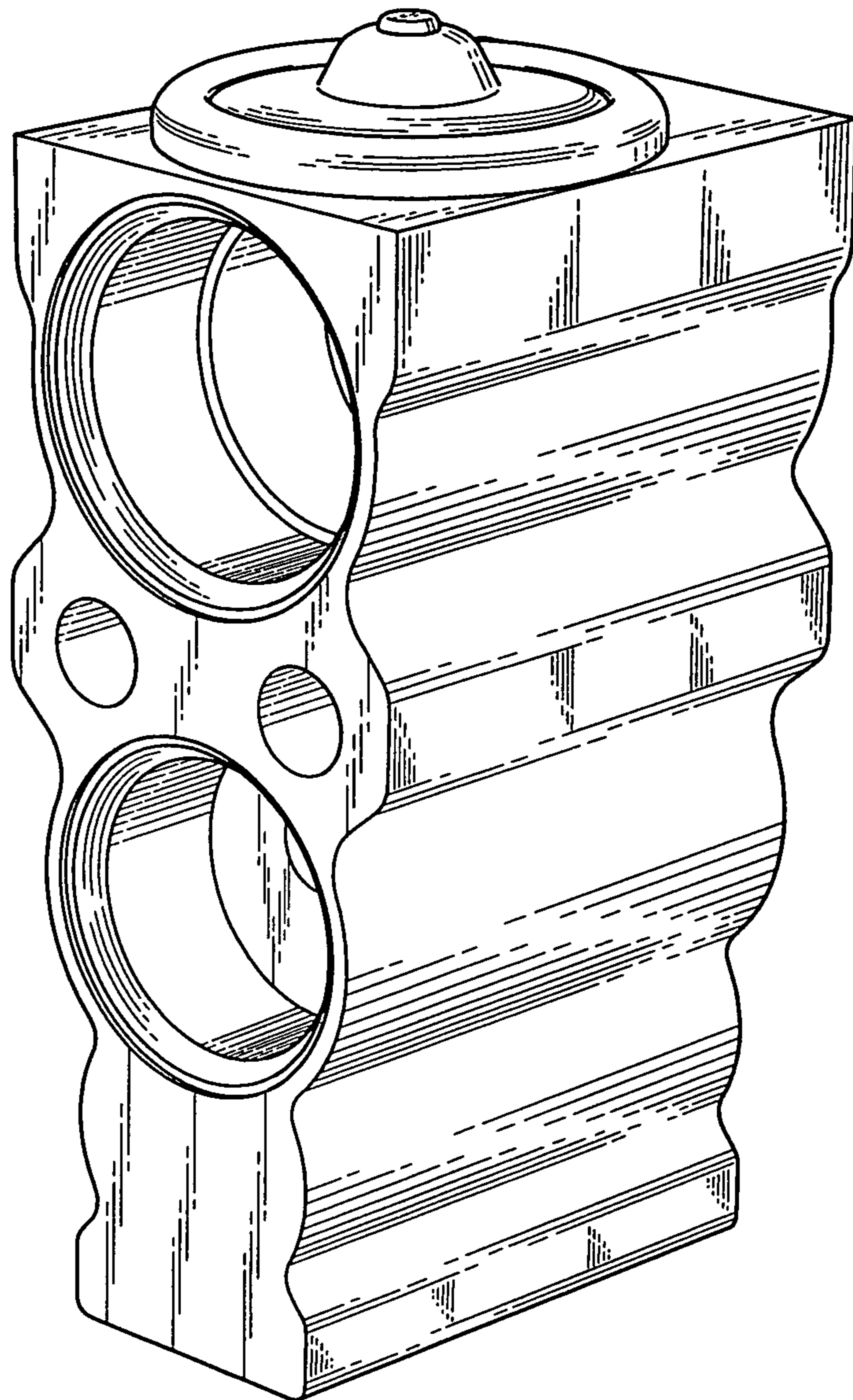


FIG. 2

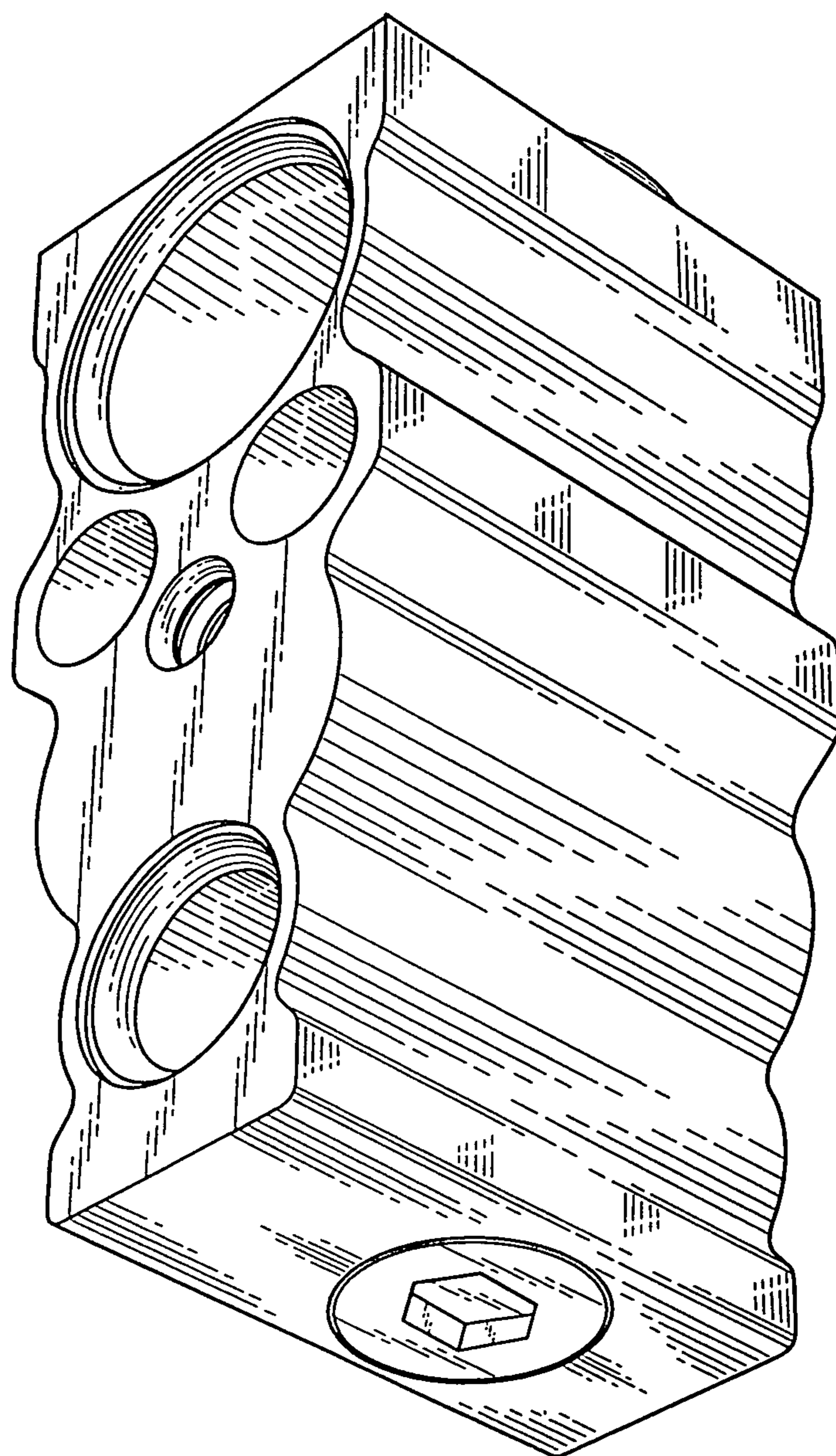


FIG. 3

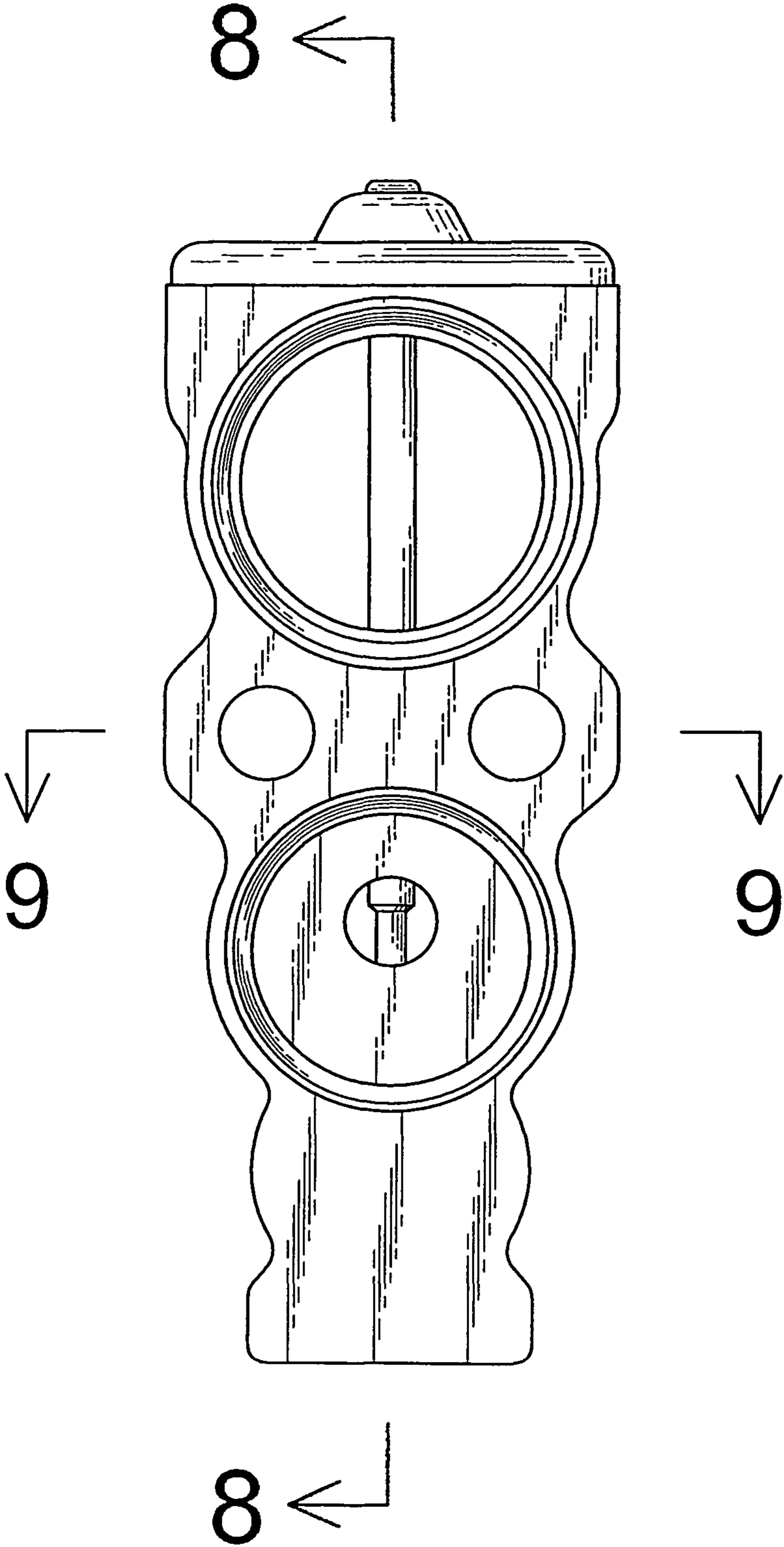


FIG. 4

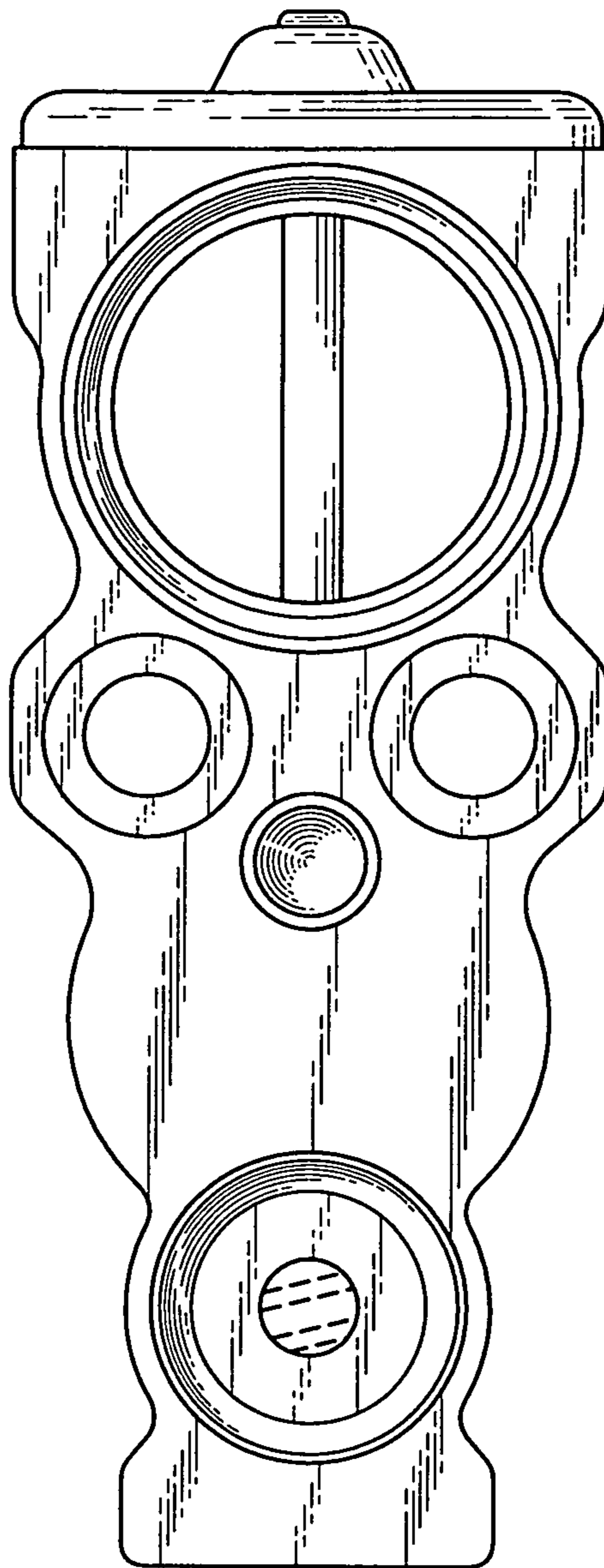


FIG. 5

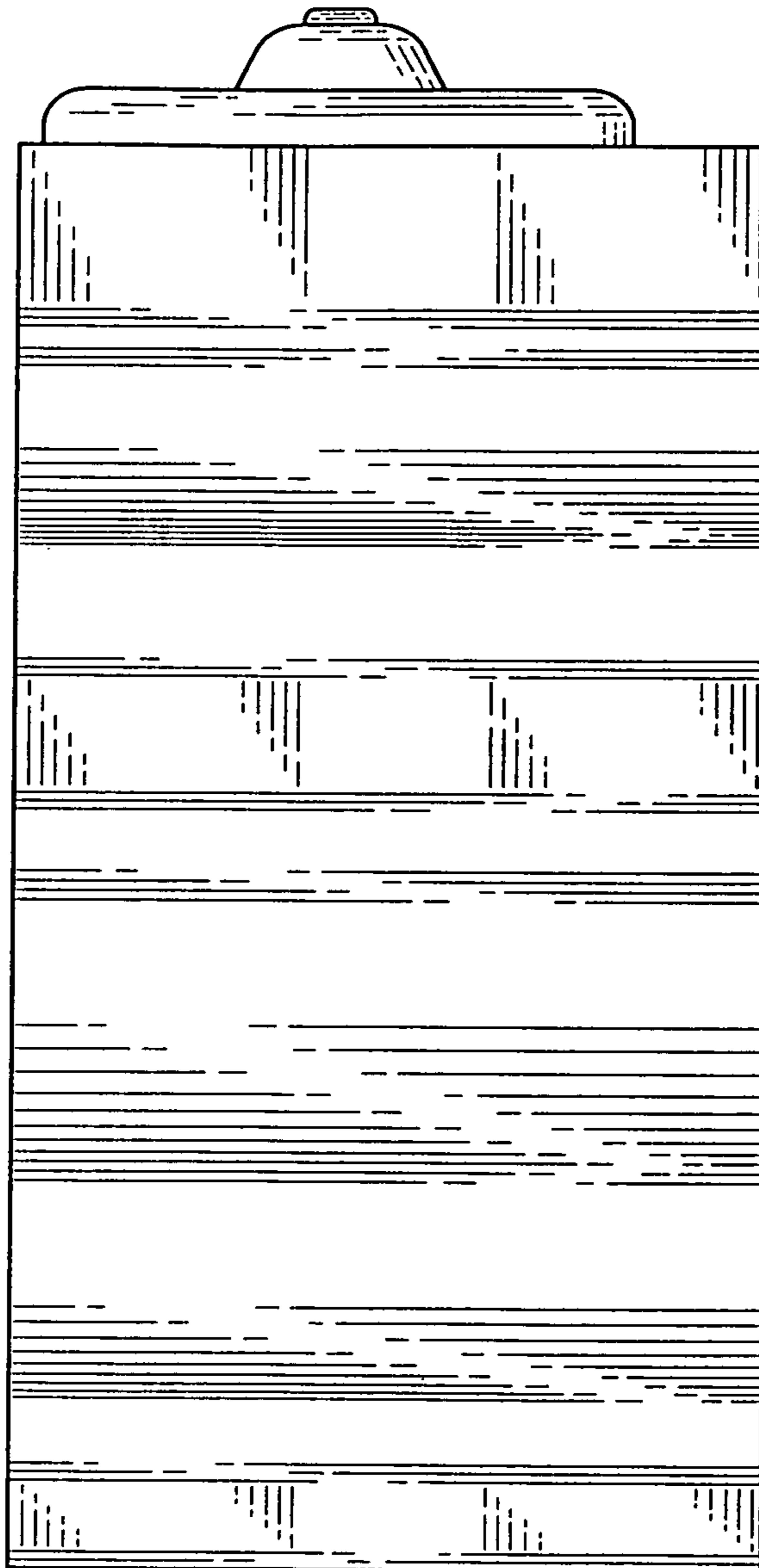


FIG. 6

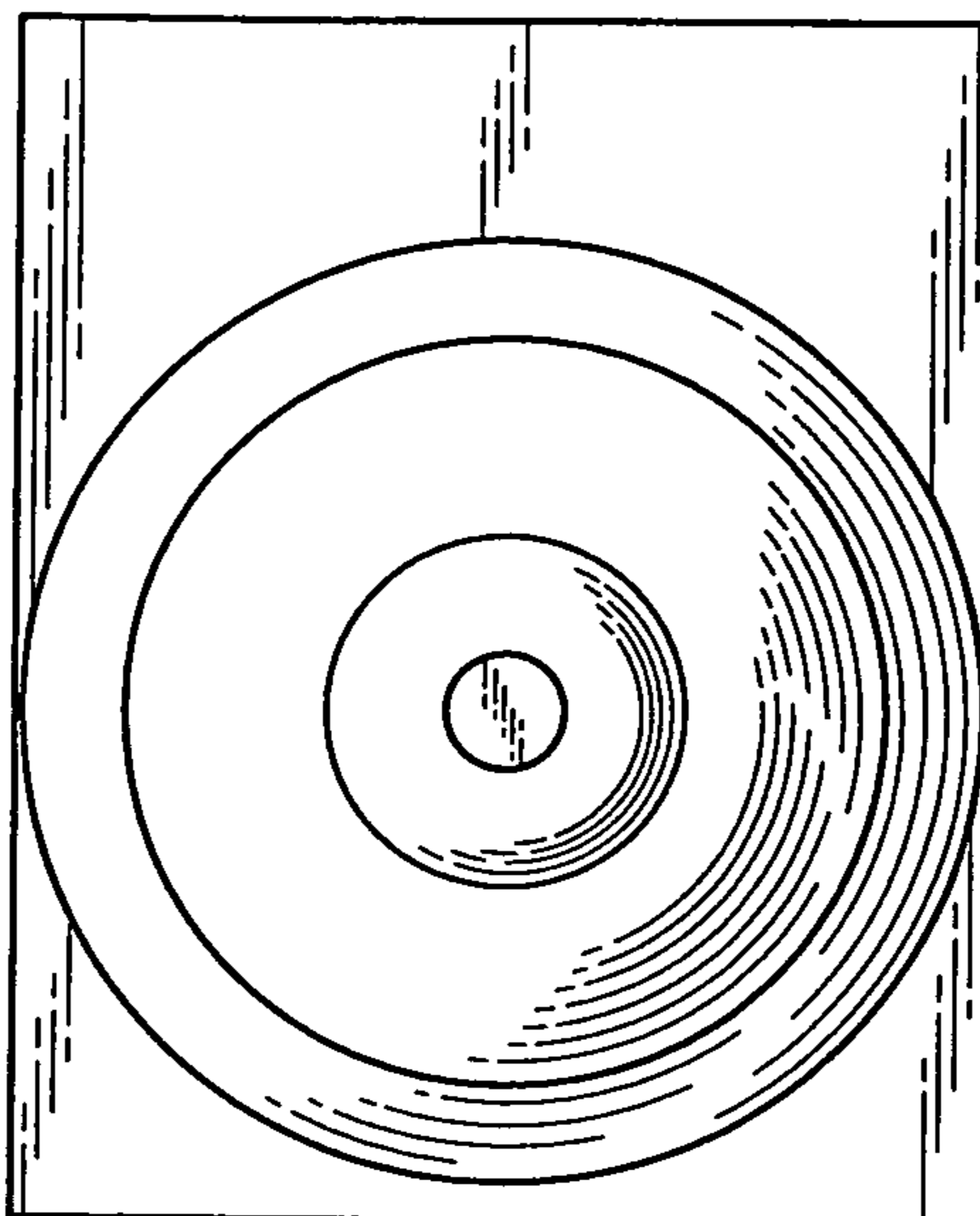


FIG. 7

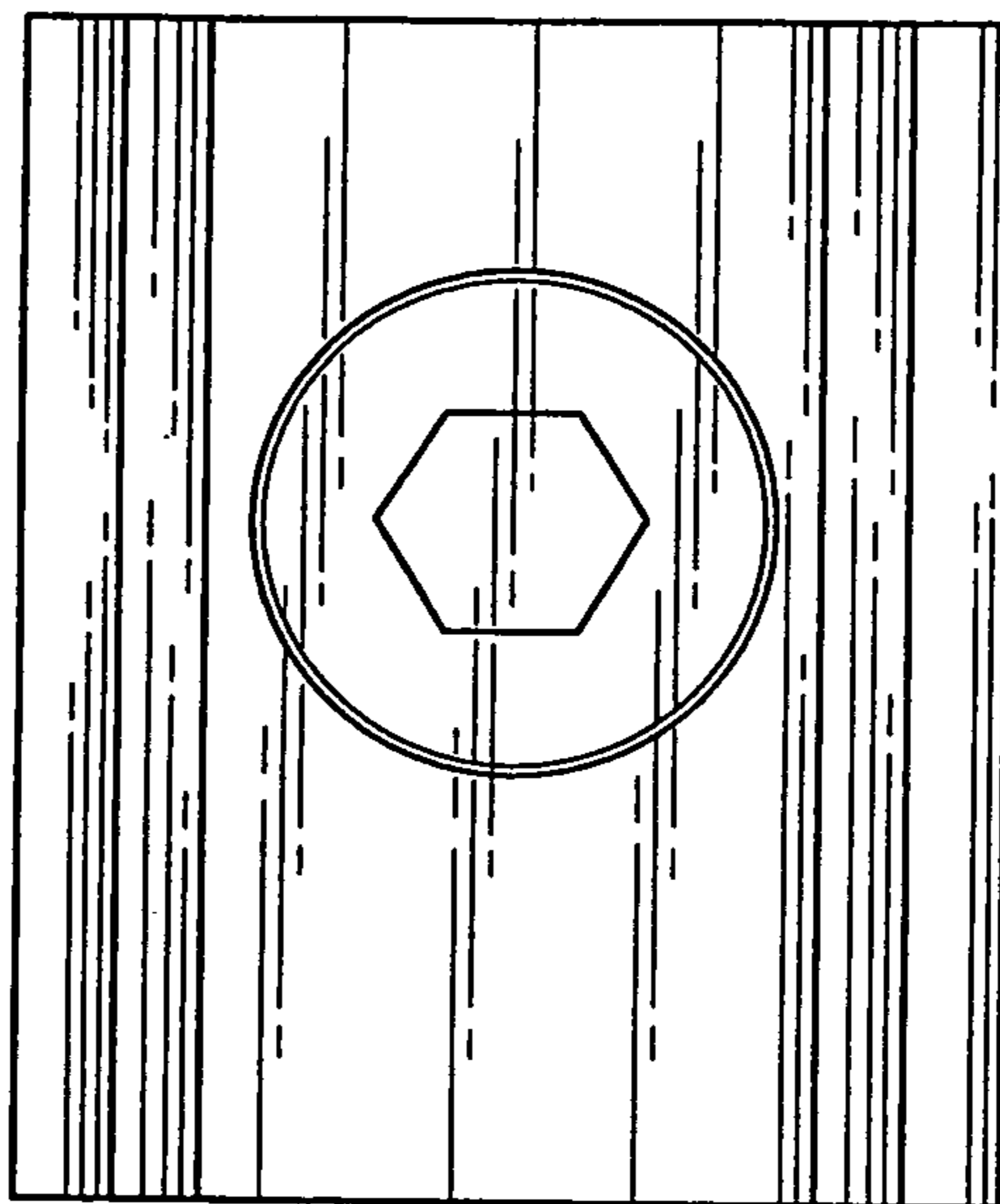


FIG. 8

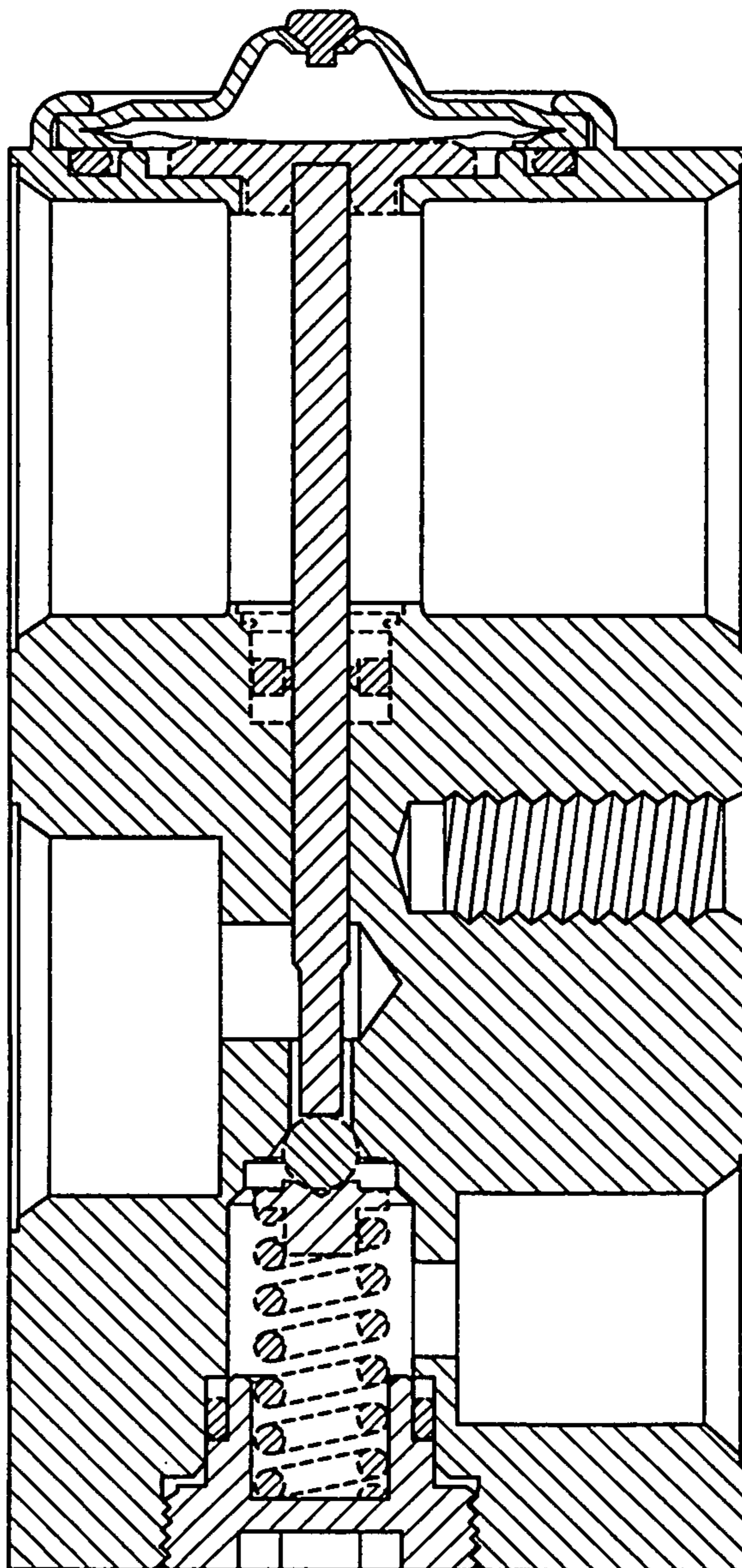


FIG. 9

