



US00D683814S

(12) **United States Design Patent**  
**Woodling**

(10) **Patent No.:** **US D683,814 S**  
(45) **Date of Patent:** **\*\* Jun. 4, 2013**

(54) **SPRAY STATION**

(76) **Inventor:** **Benjamin Compton Woodling,**  
Southampton (GB)

(\*\*) **Term:** **14 Years**

(21) **Appl. No.:** **29/406,928**

(22) **Filed:** **Nov. 21, 2011**

(51) **LOC (9) Cl.** ..... **23-01**

(52) **U.S. Cl.**  
USPC ..... **D23/225**

(58) **Field of Classification Search**  
USPC ..... D23/202, 213, 225; 222/372, 383.1;  
239/302, 308, 332, 333, 337, DIG. 14  
See application file for complete search history.

(56) **References Cited**

**U.S. PATENT DOCUMENTS**

D239,172	S	*	3/1976	Berthoud	.....	D23/202
D294,061	S	*	2/1988	Yokoyama et al.	.....	D23/202
7,434,749	B2	*	10/2008	Wu	.....	239/333
7,513,444	B1	*	4/2009	Kurimski et al.	.....	239/332
7,631,818	B2	*	12/2009	Wu	.....	239/302

D639,388	S	*	6/2011	Plantz et al.	.....	D23/225
D639,389	S	*	6/2011	Plantz et al.	.....	D23/225
8,141,754	B2	*	3/2012	Conner et al.	.....	222/333

\* cited by examiner

*Primary Examiner* — Robin V Webster  
(74) *Attorney, Agent, or Firm* — Gary E. Lambert; David J. Connaughton, Jr.; Lambert & Associates

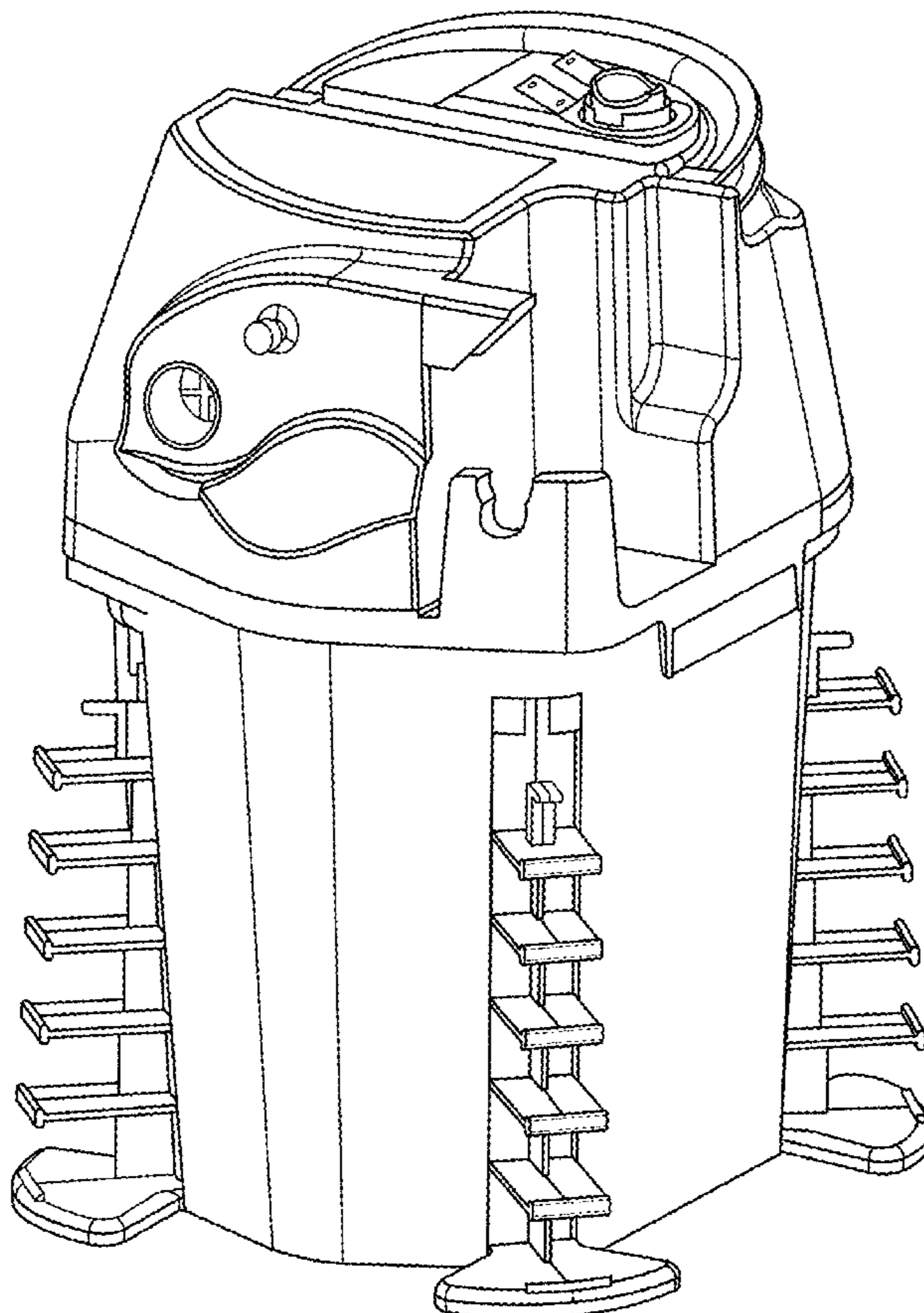
(57) **CLAIM**

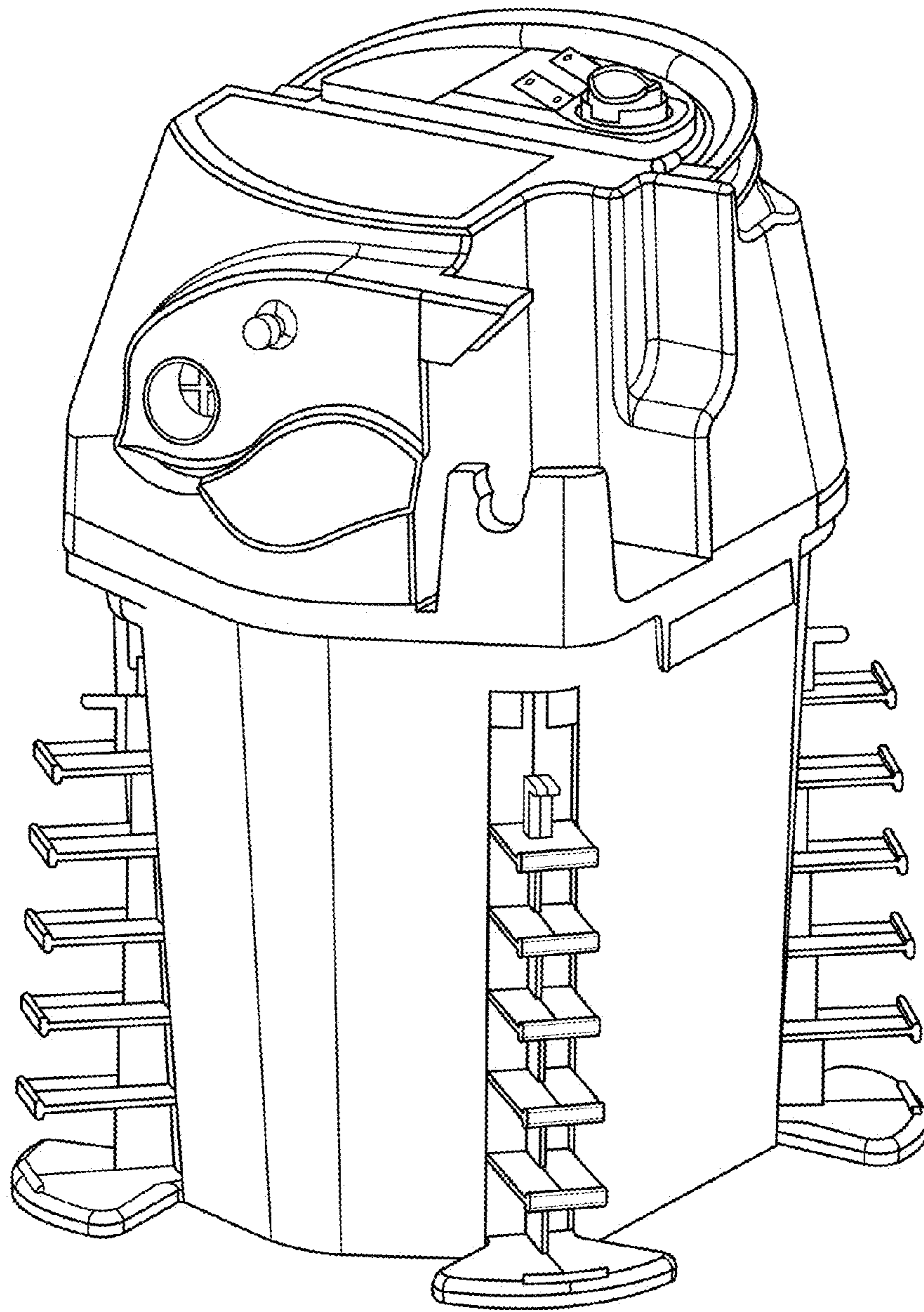
The ornamental design for a spray station, as shown and described.

**DESCRIPTION**

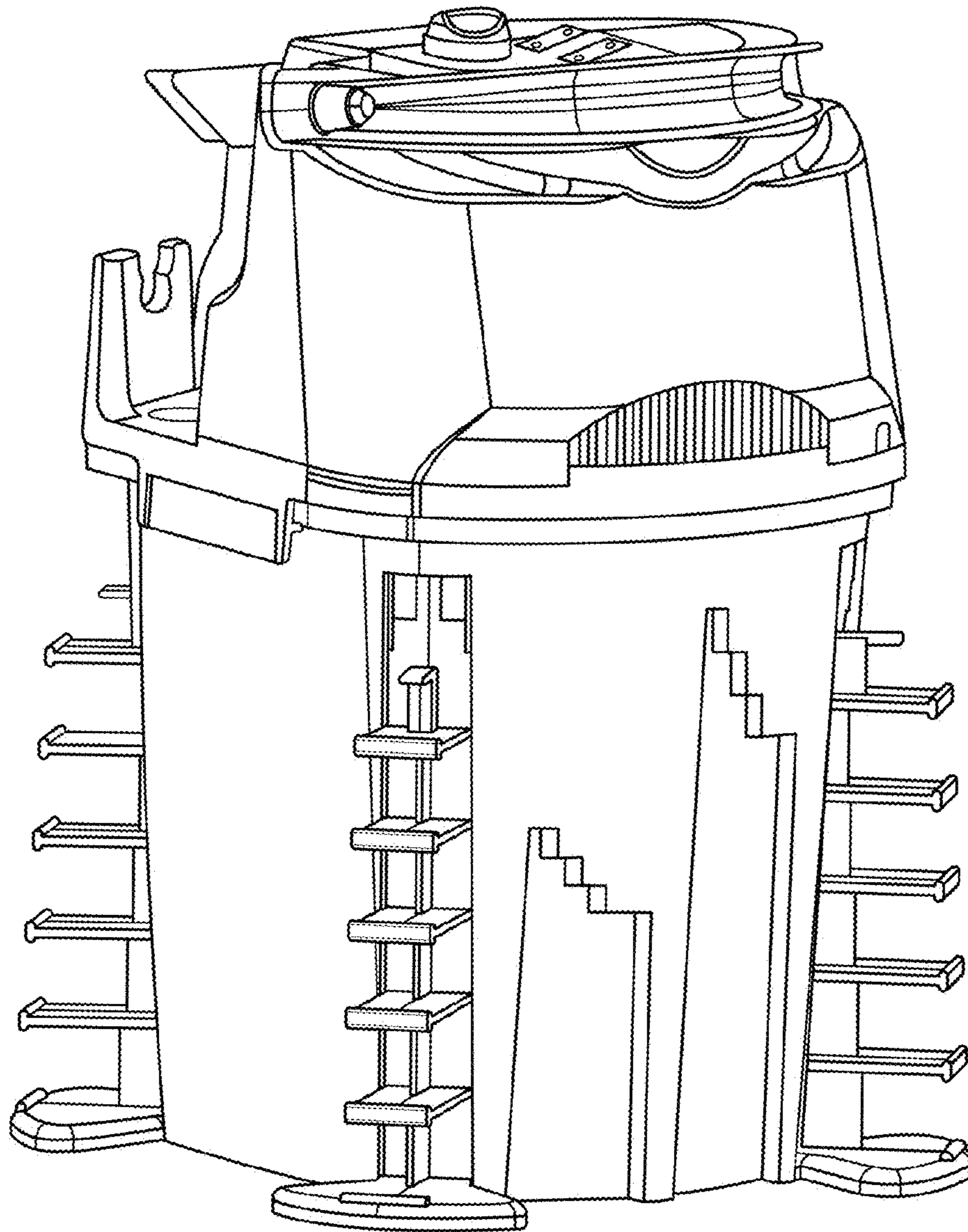
FIG. 1 is a isometric view of the spray station, which embodies my design;  
FIG. 2 is a isometric view of the spray station;  
FIG. 3 is a front side view of the spray station;  
FIG. 4 is a back side view of the spray station;  
FIG. 5 is a right side view of the spray station;  
FIG. 6 is a left side view of the spray station;  
FIG. 7 is a top plane view of the spray station; and,  
FIG. 8 is a bottom plane view of the spray station.

**1 Claim, 8 Drawing Sheets**



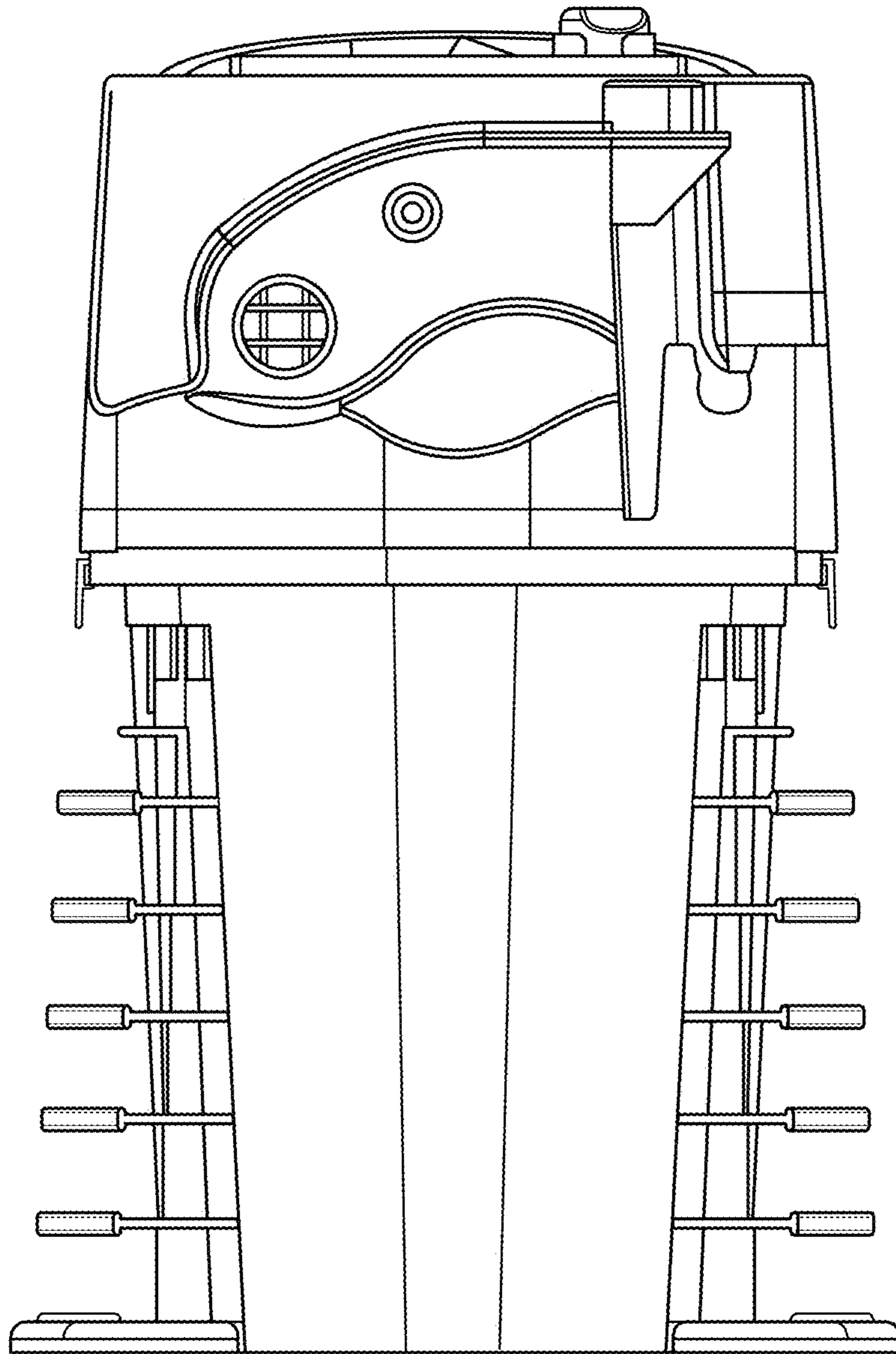


*Fig. 1*

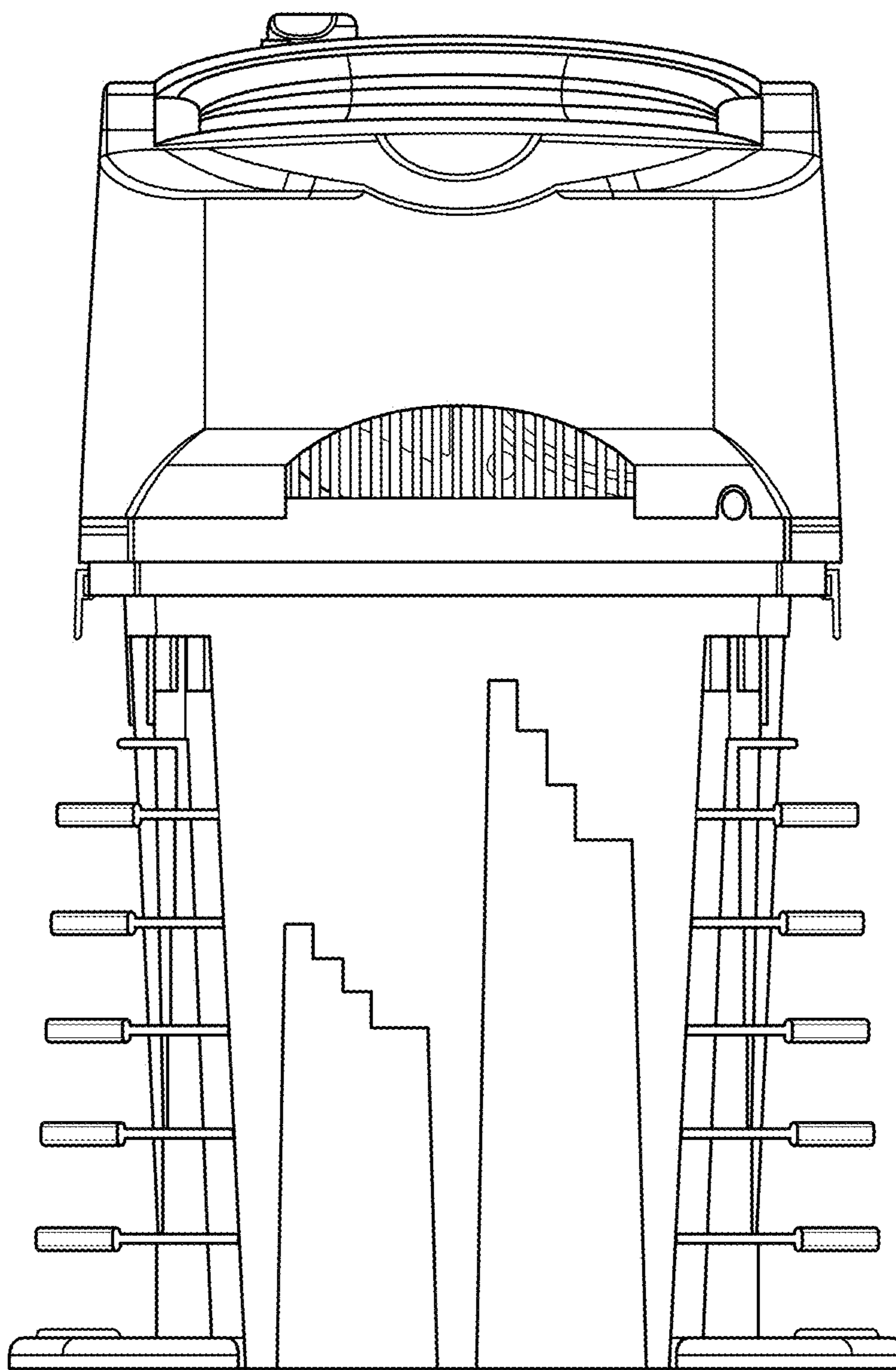


*Fig. 2*

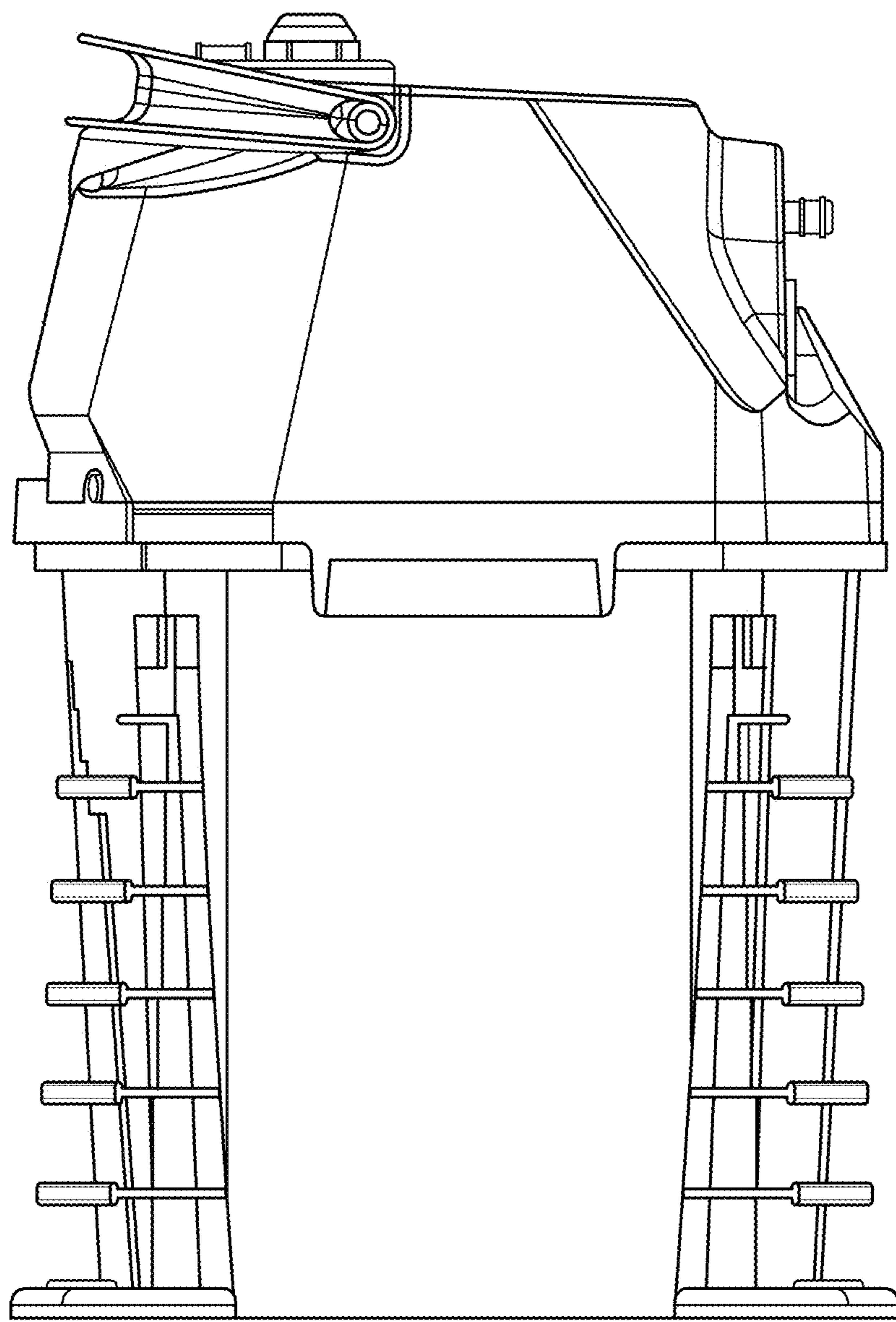




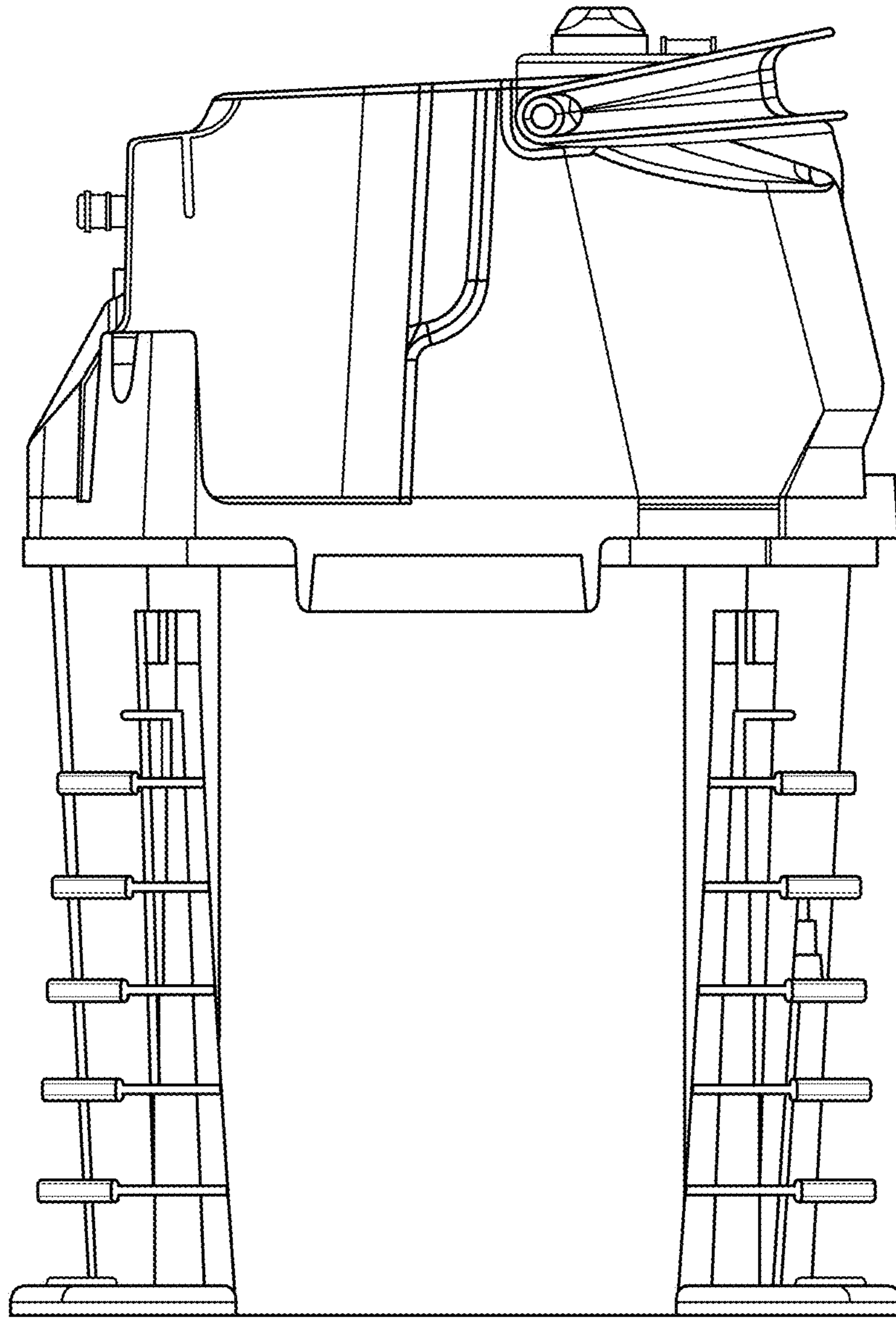
*Fig. 3*



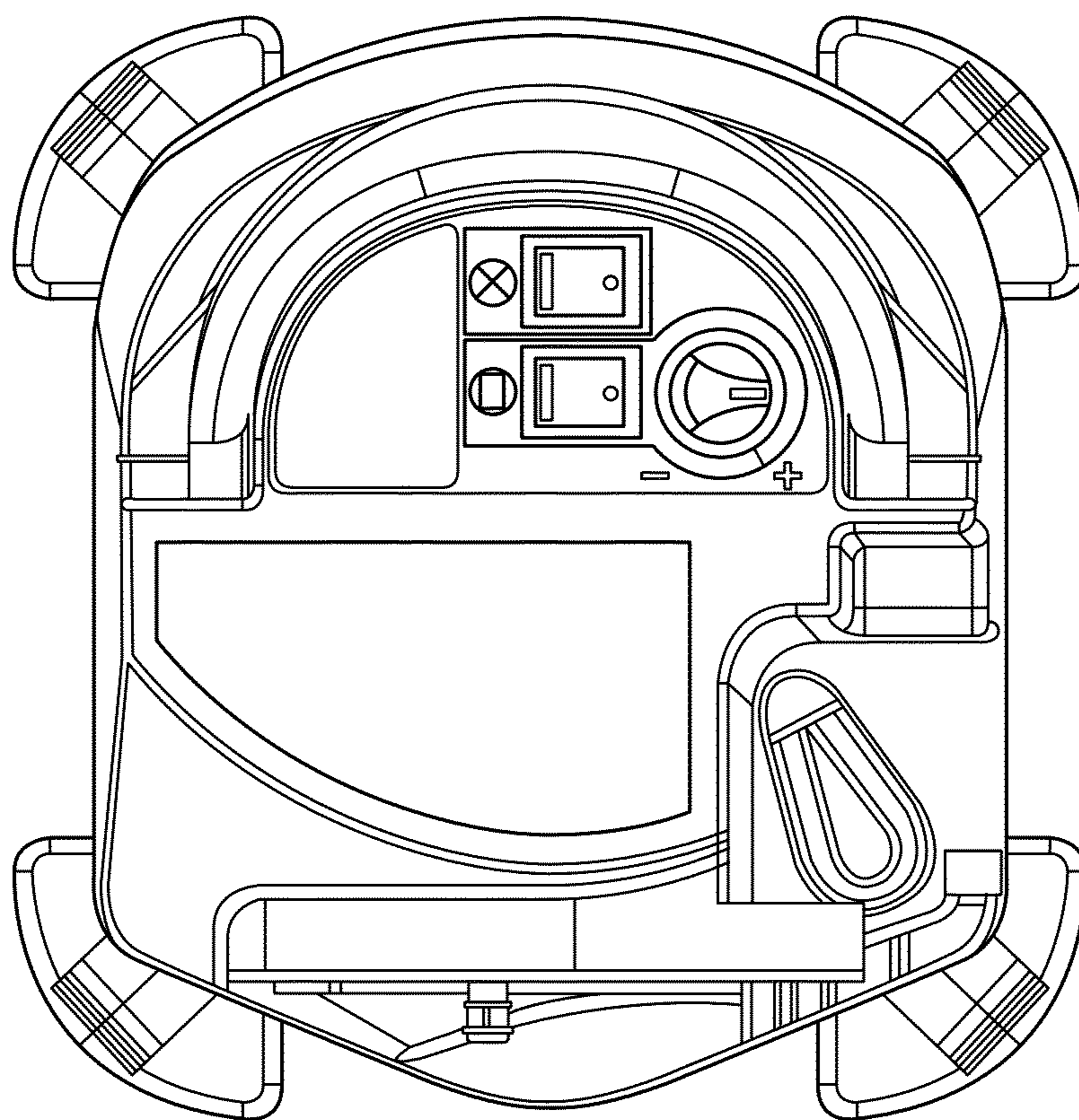
*Fig. 4*



*Fig. 5*

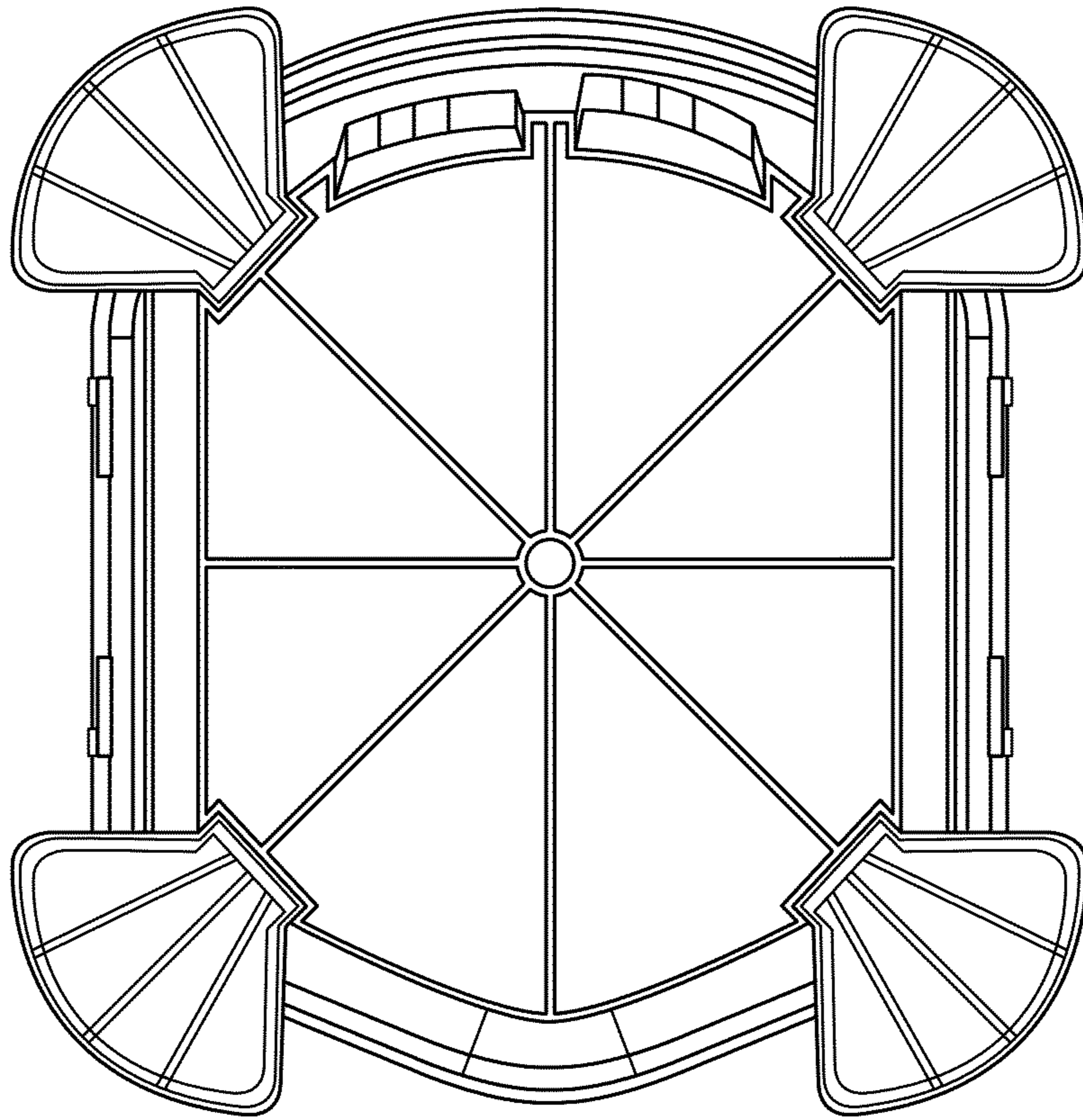


*Fig. 6*



*Fig. 7*





*Fig. 8*