



US00D683813S

(12) **United States Design Patent**
Erli

(10) **Patent No.:** **US D683,813 S**
(45) **Date of Patent:** **** Jun. 4, 2013**

- (54) **SHOWER HEAD FOR BABIES**
- (71) Applicant: **Okbaby S.R.L.**, Telgate (IS)
- (72) Inventor: **Silvia Erli**, Telgate (IT)
- (73) Assignee: **Okbaby S.R.L.**, Telgate (IT)
- (**) Term: **14 Years**
- (21) Appl. No.: **29/433,701**
- (22) Filed: **Oct. 3, 2012**

- (30) **Foreign Application Priority Data**
- Aug. 20, 2012 (EM) 002089755-0001
- (51) **LOC (9) Cl.** **23-01**
- (52) **U.S. Cl.**
- USPC **D23/213**
- (58) **Field of Classification Search**
- USPC D23/213, 229, 230; 239/462, 282,
239/283, 211
- See application file for complete search history.

(56) **References Cited**

U.S. PATENT DOCUMENTS
D676,927 S * 2/2013 Svendsen et al. D23/223
* cited by examiner

Primary Examiner — Robin V Webster
(74) *Attorney, Agent, or Firm* — Pearne & Gordon LLP

(57) **CLAIM**
The ornamental design for a shower head for babies, as shown and described.

DESCRIPTION

FIG. 1 is a perspective view of a shower head for babies, showing my new design;
FIG. 2 is a front elevational view thereof;
FIG. 3 is a back elevational view thereof;
FIG. 4 is a left side elevational view thereof;
FIG. 5 is a right side elevational view thereof;
FIG. 6 is a top plan view thereof; and,
FIG. 7 is a bottom plan view thereof.

1 Claim, 7 Drawing Sheets

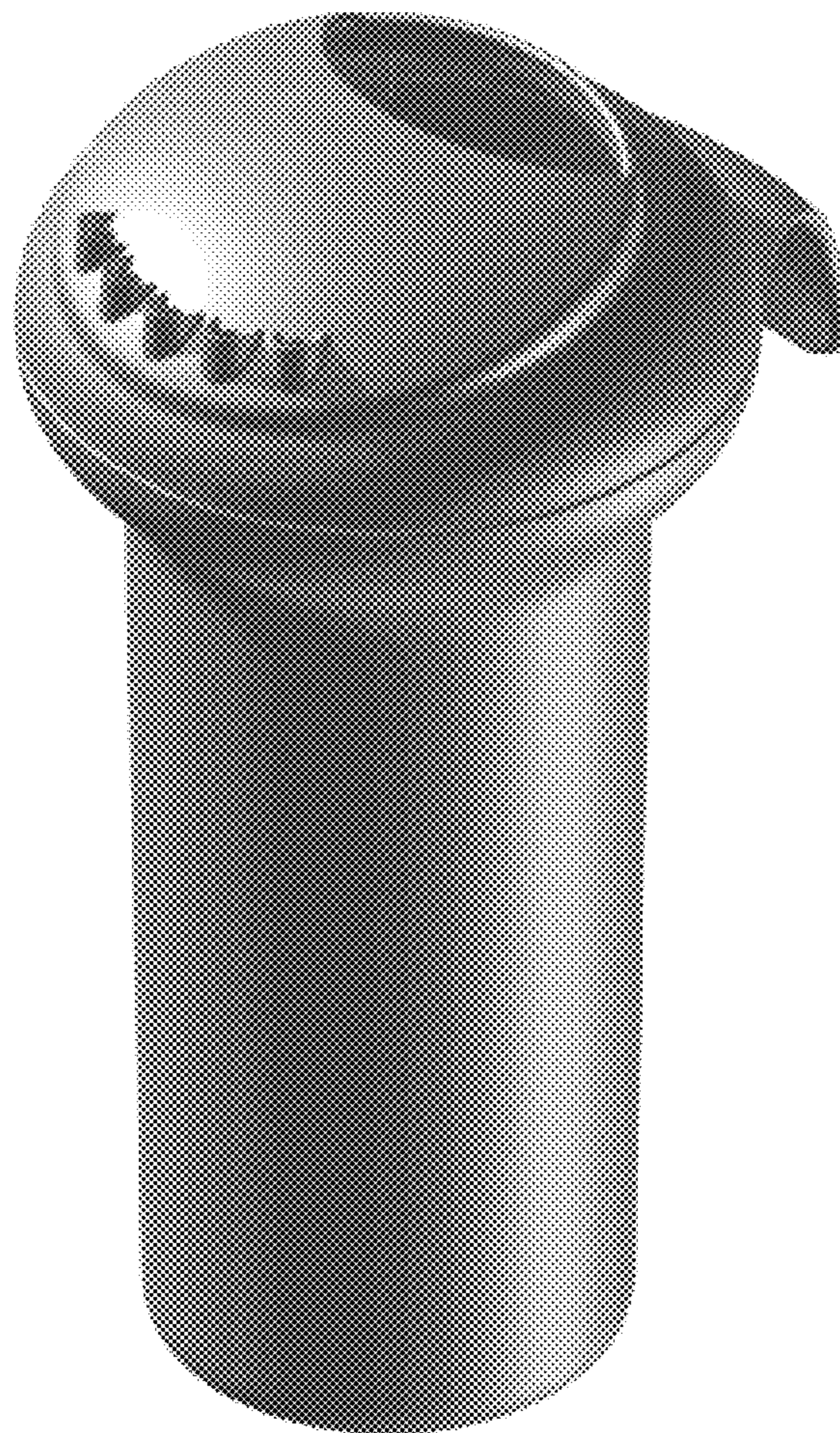




FIG. 1

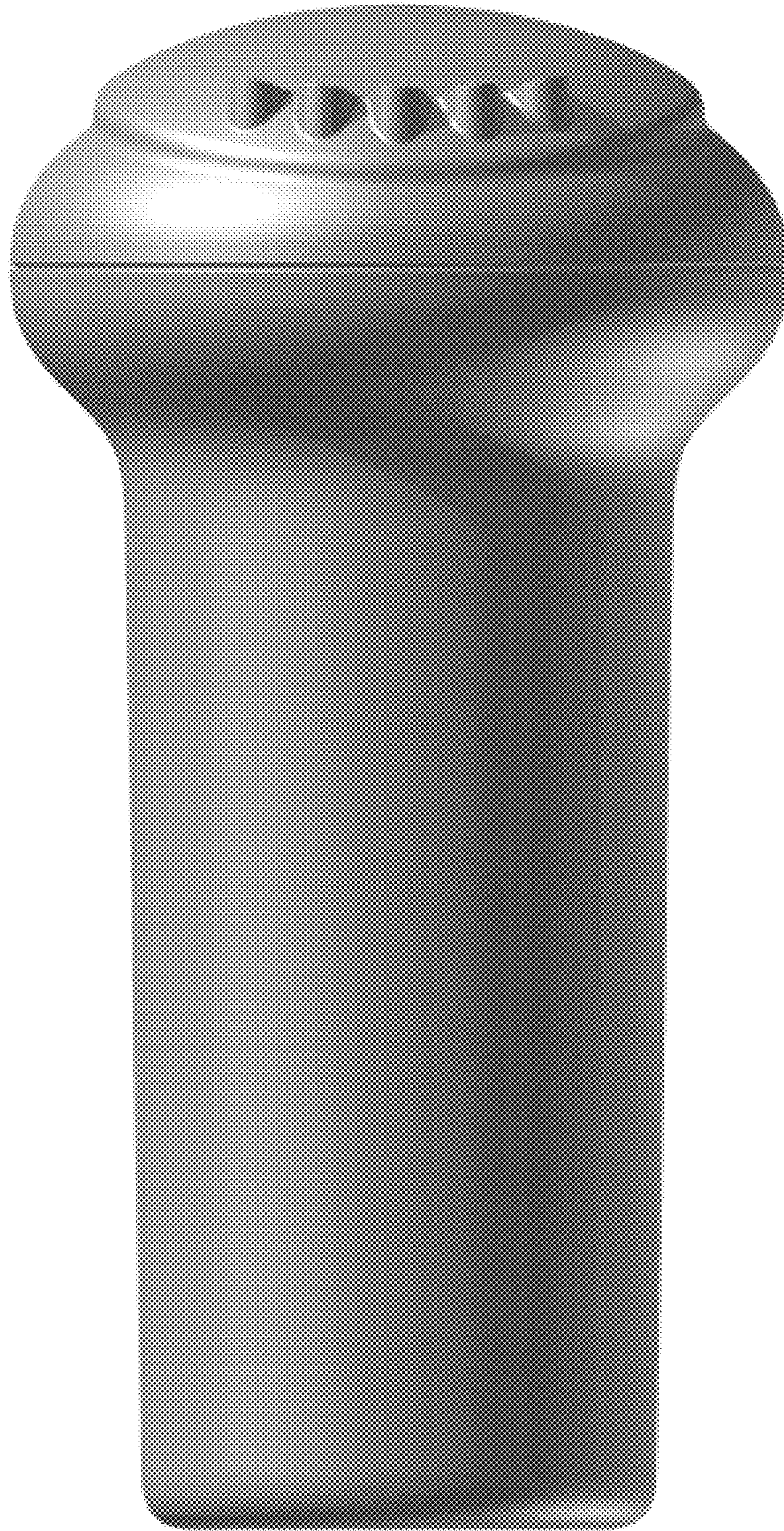


FIG. 2

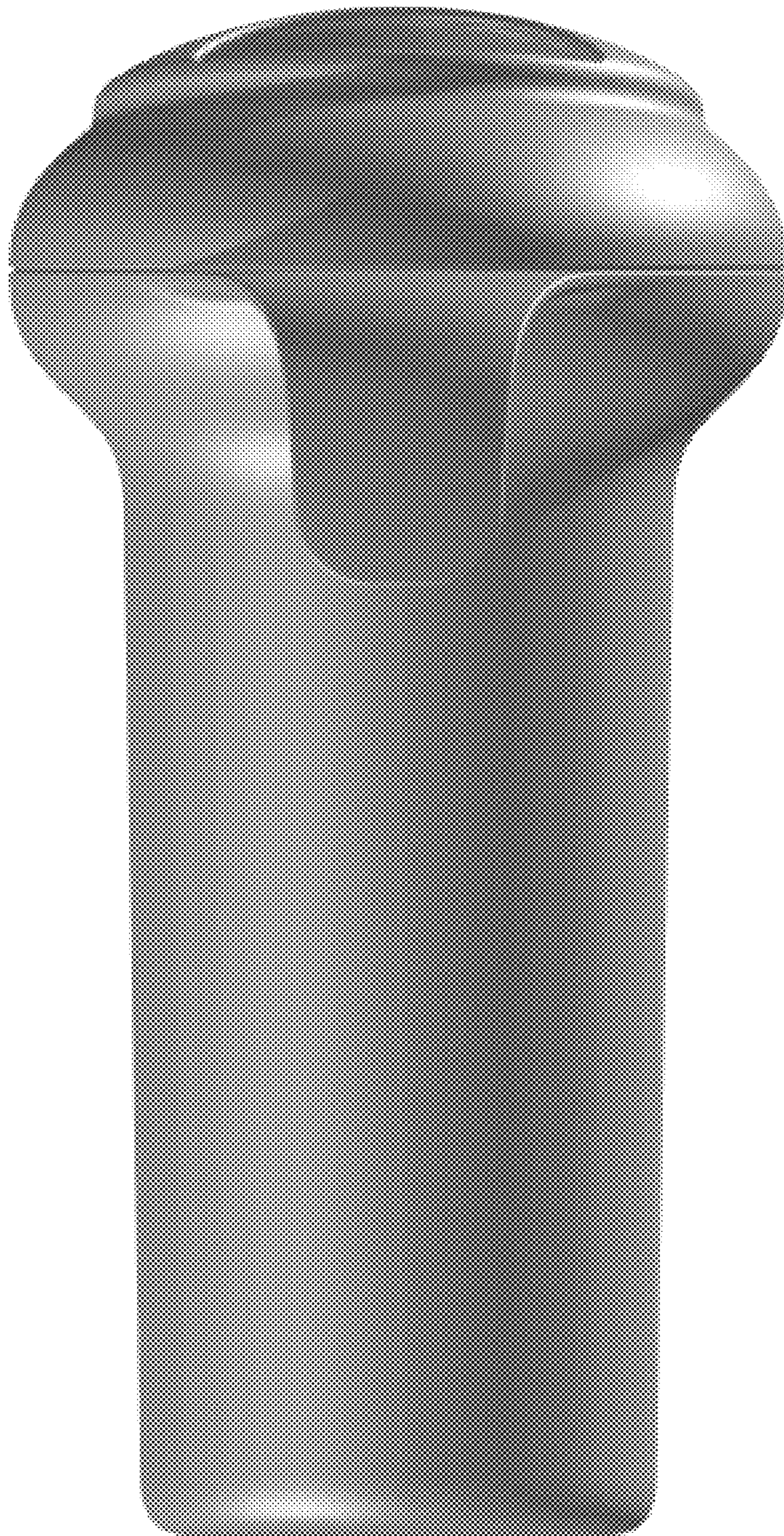


FIG. 3



FIG. 4



FIG. 5

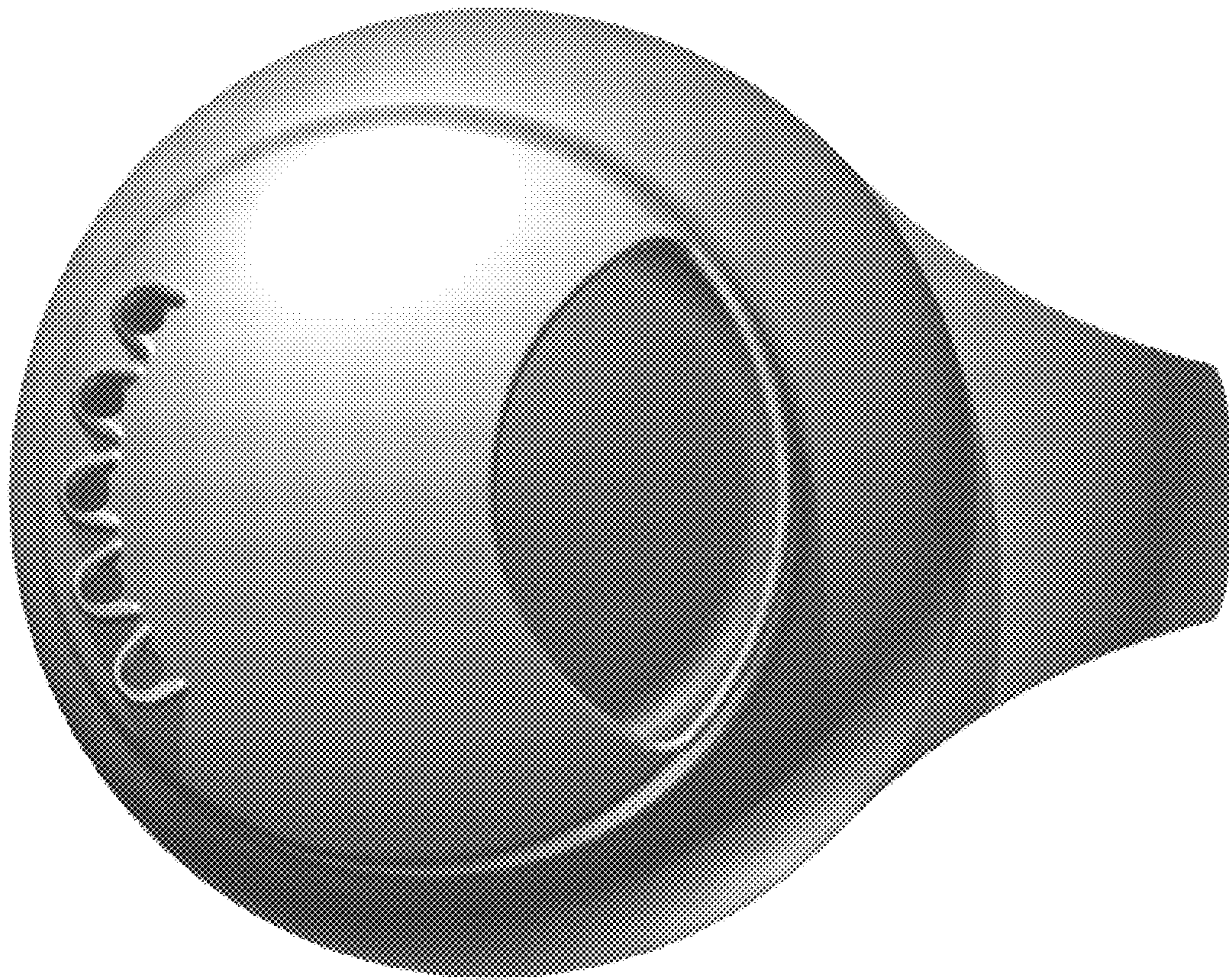


FIG. 6

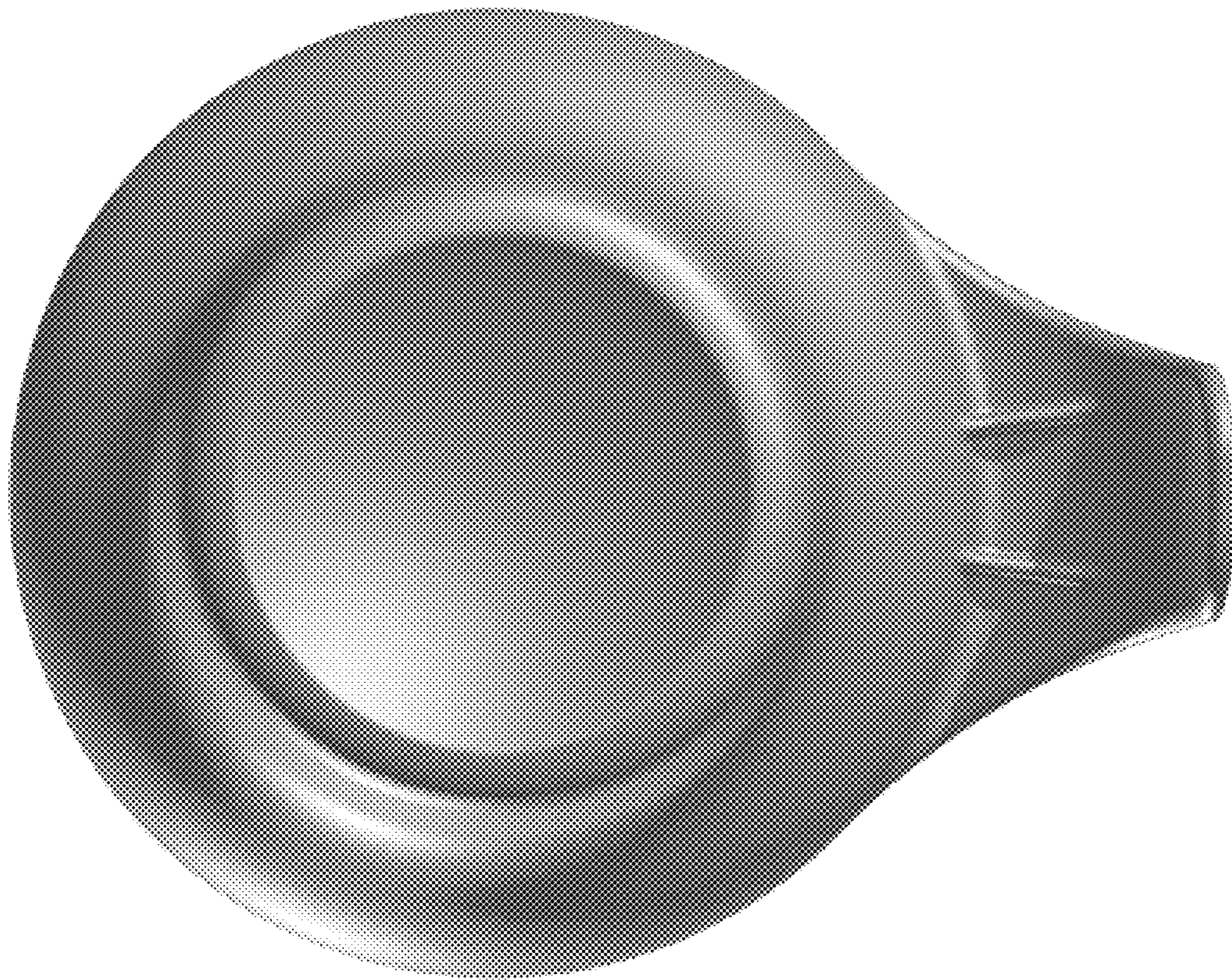


FIG. 7