



US00D683812S

(12) **United States Design Patent**
Atkinson

(10) **Patent No.:** **US D683,812 S**

(45) **Date of Patent:** **** Jun. 4, 2013**

(54) **HOOK TYER DESIGN**

(76) Inventor: **Ian Atkinson**, Edgmond (GB)

(**) Term: **14 Years**

(21) Appl. No.: **29/430,680**

(22) Filed: **Aug. 29, 2012**

(51) **LOC (9) Cl.** **22-05**

(52) **U.S. Cl.**
USPC **D22/149**

(58) **Field of Classification Search**
USPC D22/149, 134, 199; 43/1, 4, 53.5; D8/14;
289/17

See application file for complete search history.

(56) **References Cited**

U.S. PATENT DOCUMENTS

3,265,422 A * 8/1966 Pierce 289/17
D353,086 S * 12/1994 Koehler D8/14

5,951,067 A * 9/1999 High 289/17
6,434,878 B1 * 8/2002 Milton 43/4
6,715,804 B2 * 4/2004 Beers 289/17
D594,529 S * 6/2009 Rustowicz D22/149
D617,866 S * 6/2010 Rustowicz D22/149

* cited by examiner

Primary Examiner — Catheri Oliver-Garcia

(74) *Attorney, Agent, or Firm* — Michael Soderman

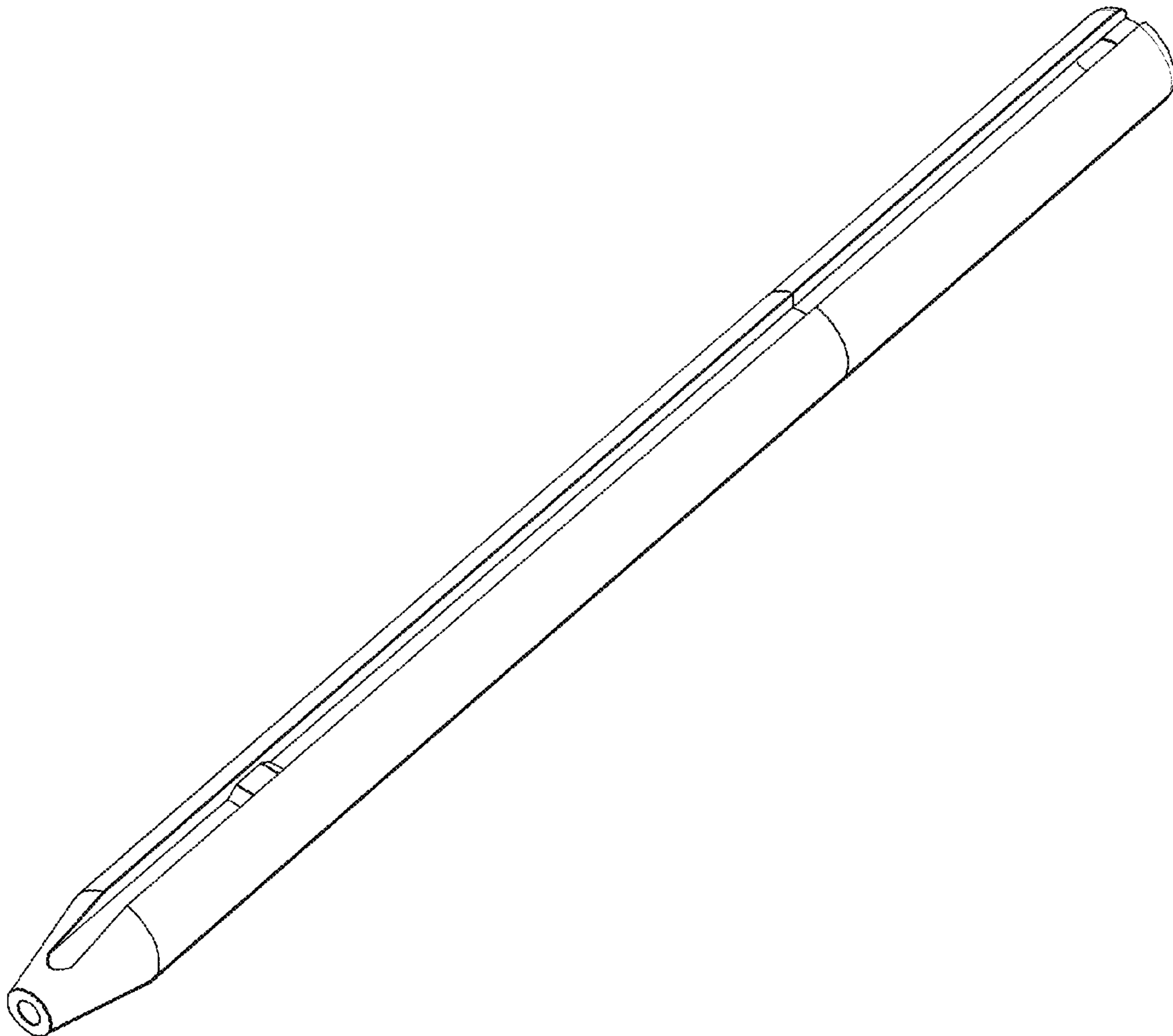
(57) **CLAIM**

The ornamental design for a hook tyer design, as shown.

DESCRIPTION

FIG. 1 is a top perspective view of the hook tyer design;
FIG. 2 is a front elevation view thereof;
FIG. 3 is a rear elevation view thereof;
FIG. 4 is a top plan view thereof;
FIG. 5 is a bottom plan view thereof;
FIG. 6 is a side elevation view thereof; and,
FIG. 7 is an opposite side elevation view thereof.

1 Claim, 2 Drawing Sheets



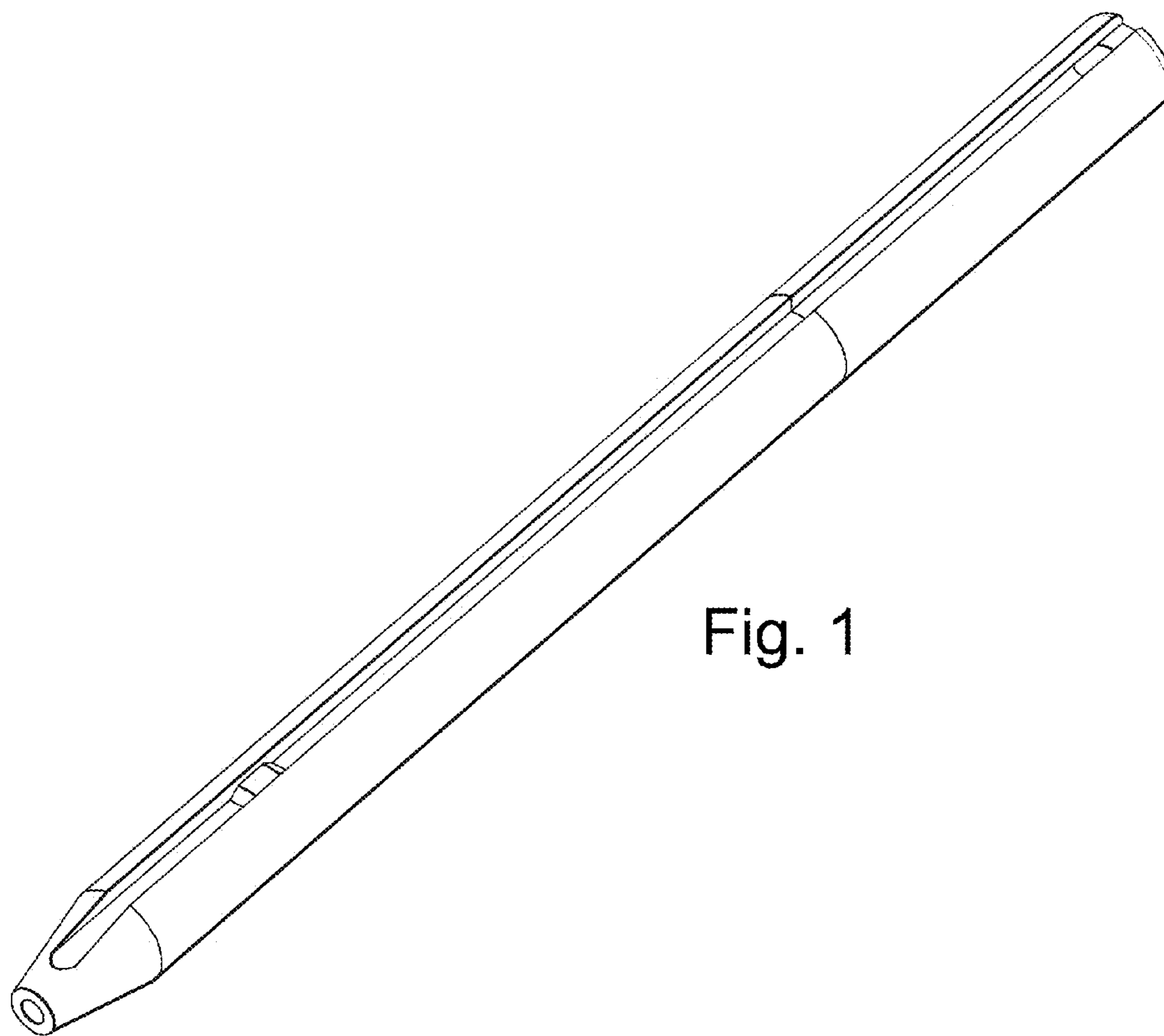


Fig. 1

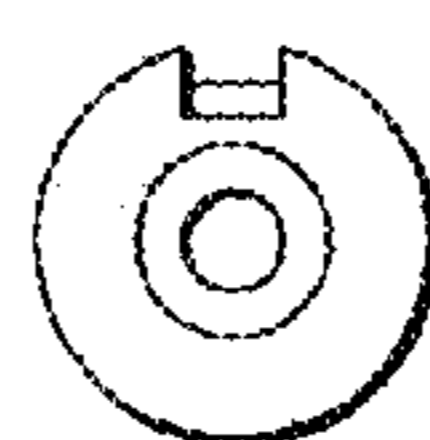


Fig. 2

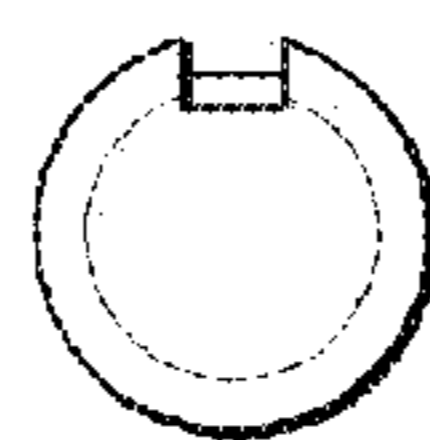


Fig. 3

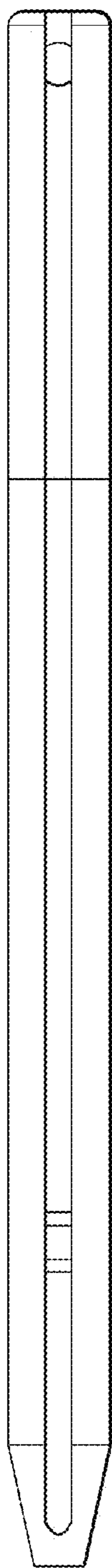


Fig. 4

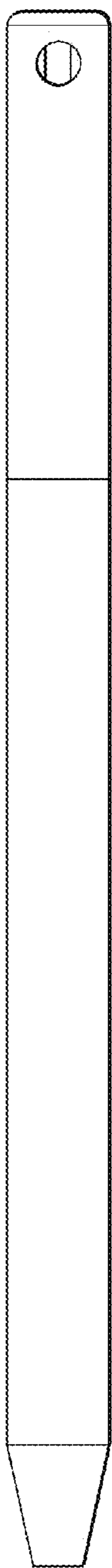


Fig. 5



Fig. 6

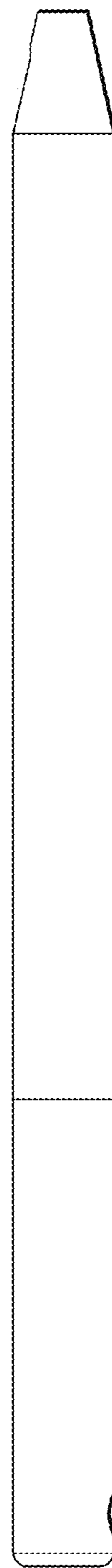


Fig. 7