



US00D683805S

(12) **United States Design Patent**
Yoon

(10) **Patent No.:** **US D683,805 S**
(45) **Date of Patent:** **** Jun. 4, 2013**

(54) **GOLF CLUB HEAD**
(76) Inventor: **Sang Jin Yoon, Daejeon (KR)**
(**) Term: **14 Years**
(21) Appl. No.: **29/420,554**
(22) Filed: **May 10, 2012**
(51) **LOC (9) Cl.** **21-02**
(52) **U.S. Cl.**
USPC **D21/747**
(58) **Field of Classification Search**
USPC **D21/747-751; 473/324-331, 350,**
473/244-248
See application file for complete search history.

5,580,051 A * 12/1996 Fisher 473/248
5,597,362 A * 1/1997 Lee et al. 473/244
5,716,287 A * 2/1998 Levocz et al. 473/248
6,213,889 B1 * 4/2001 Hamburger 473/245
D534,596 S * 1/2007 Haga et al. D21/747

* cited by examiner

Primary Examiner — Mitchell Siegel

(74) *Attorney, Agent, or Firm* — Susan Paik, Esq.

(57) **CLAIM**

The ornamental design for a golf club head, as shown and described.

DESCRIPTION

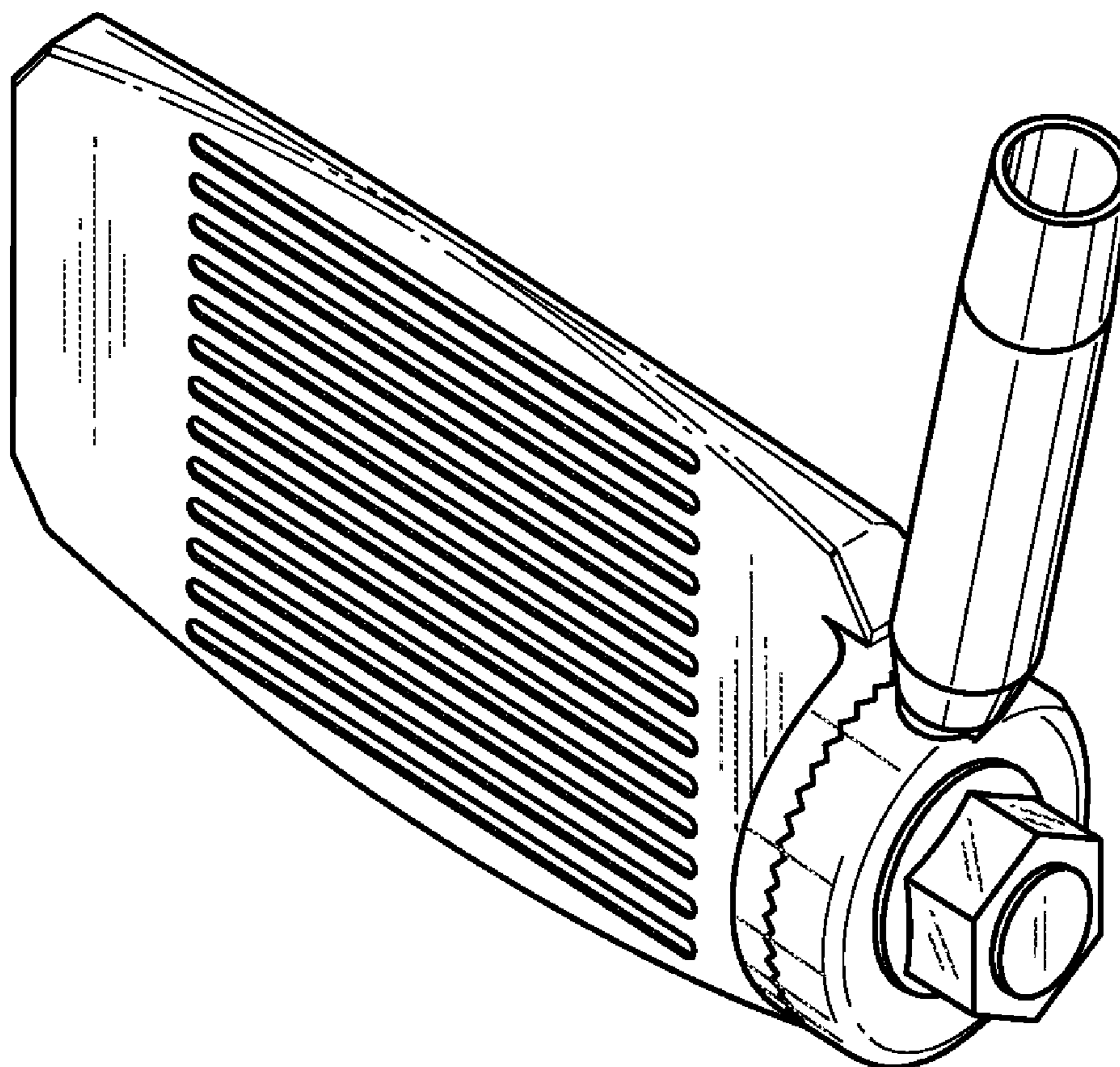
FIG. 1 is a perspective view of a golf club head showing my new design;
FIG. 2 is a front view thereof;
FIG. 3 is a rear view thereof;
FIG. 4 is a left-side view thereof;
FIG. 5 is a right-side view thereof;
FIG. 6 is a top view thereof;
FIG. 7 is a bottom view thereof; and,
FIG. 8 is a reference view thereof.

1 Claim, 4 Drawing Sheets

(56) **References Cited**

U.S. PATENT DOCUMENTS

2,091,794 A * 8/1937 Pester 473/245
2,305,270 A * 12/1942 Nilson 473/247
2,882,053 A * 4/1959 Lorthois 473/245
3,214,169 A * 10/1965 Rupnow 473/246
3,305,235 A * 2/1967 Williams, Jr. 473/247
3,601,399 A * 8/1971 Agens et al. 473/247
3,840,231 A * 10/1974 Moore 473/245
5,470,063 A * 11/1995 Fisher 473/248



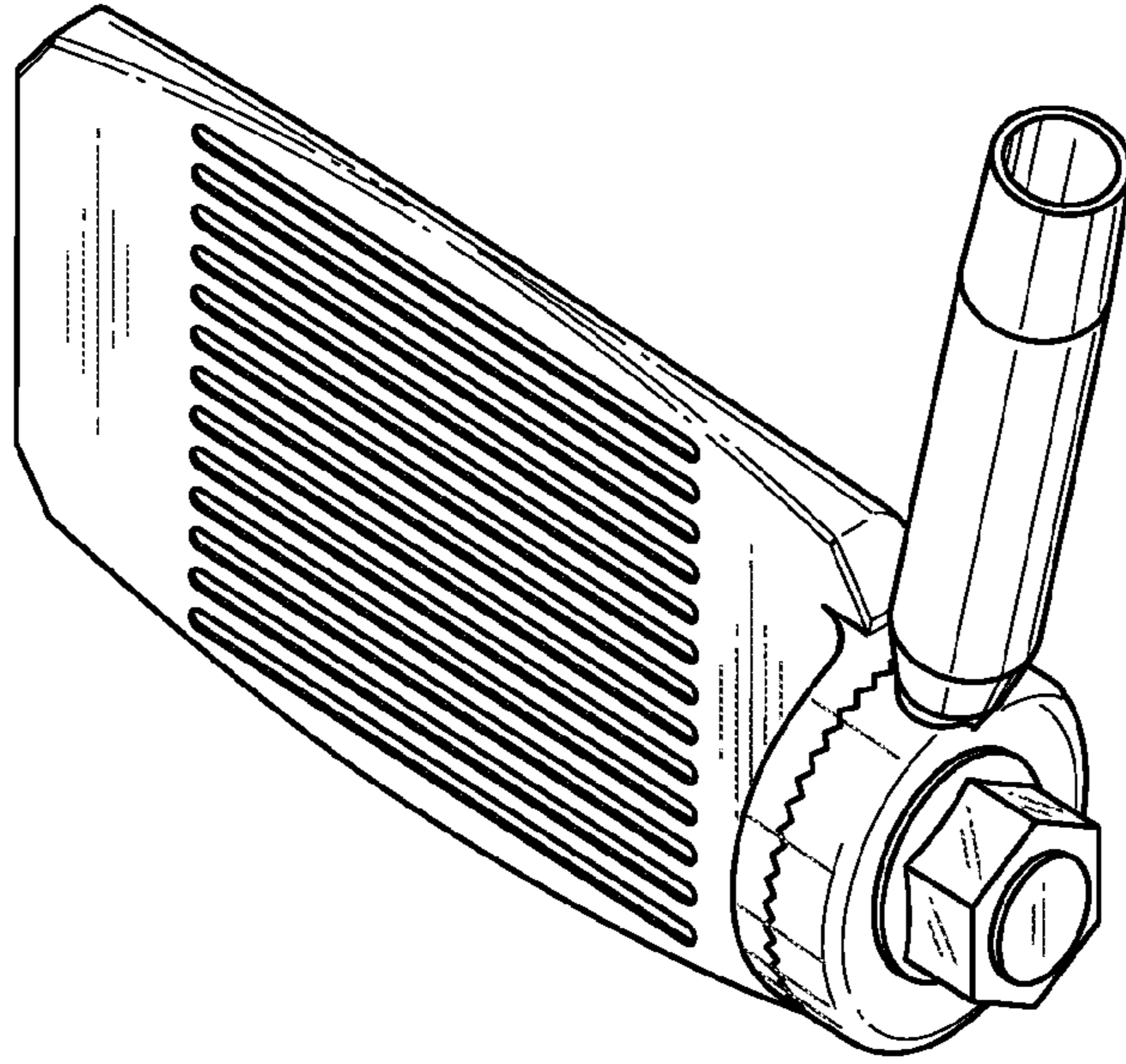


FIG. 1

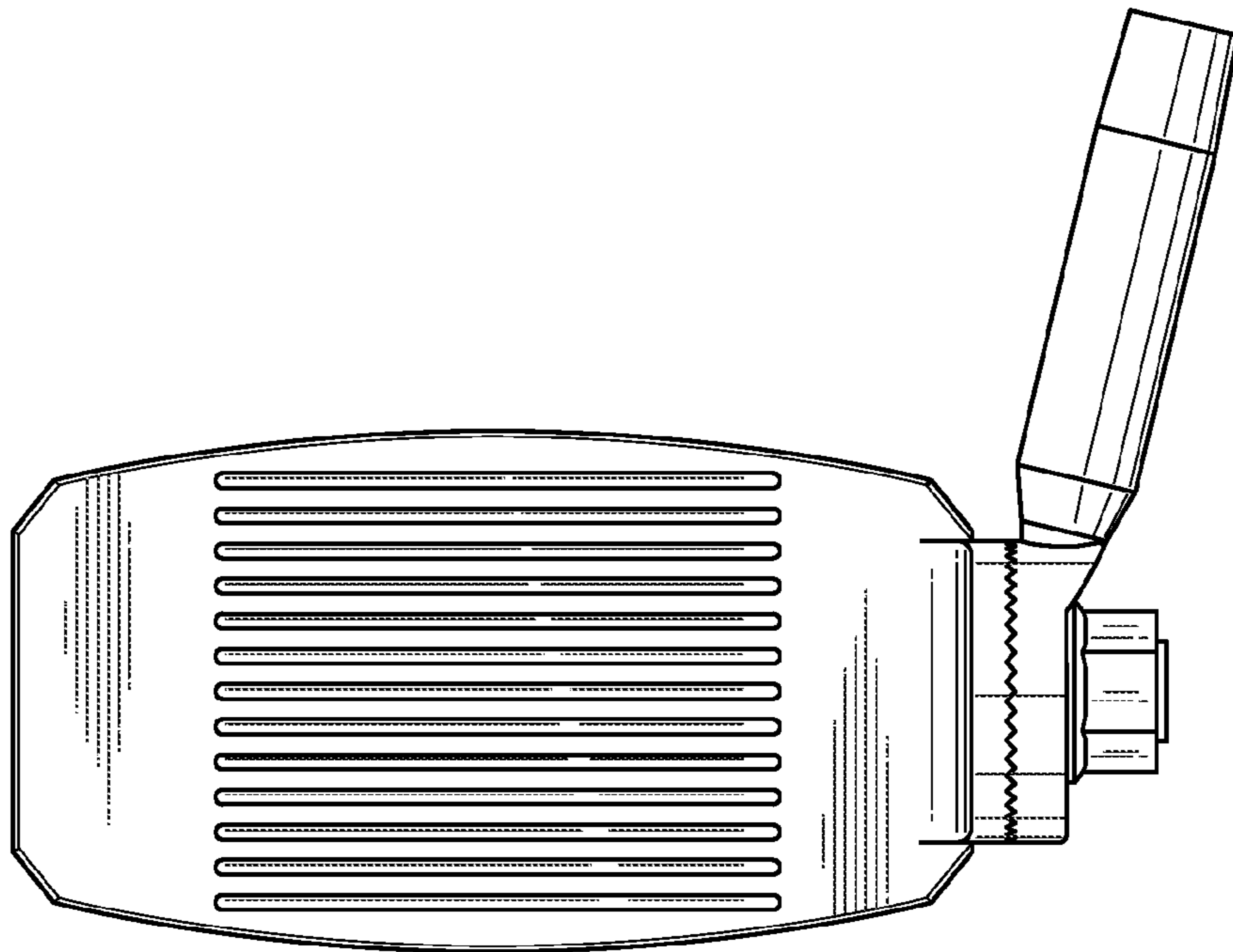


FIG. 2

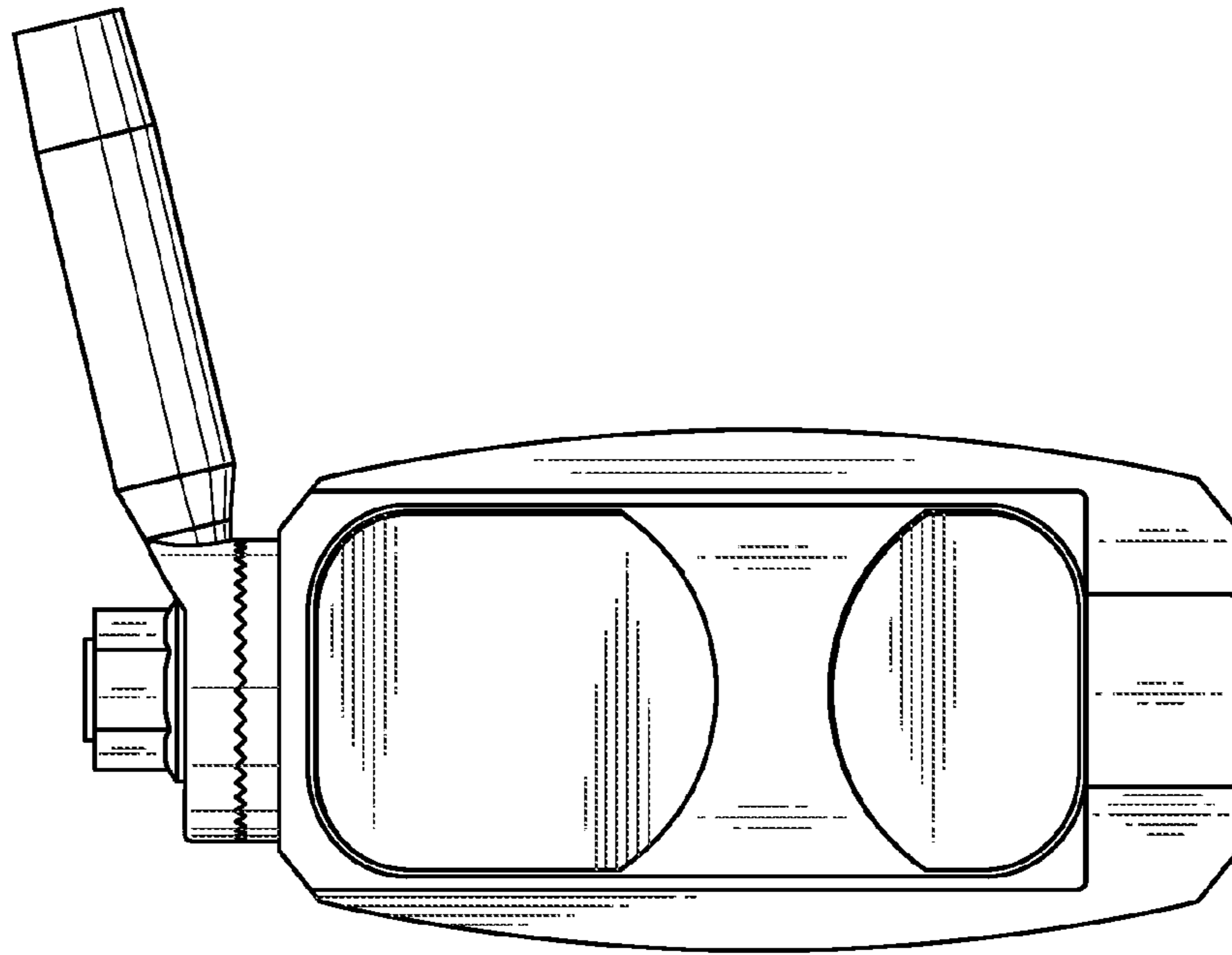


FIG. 3

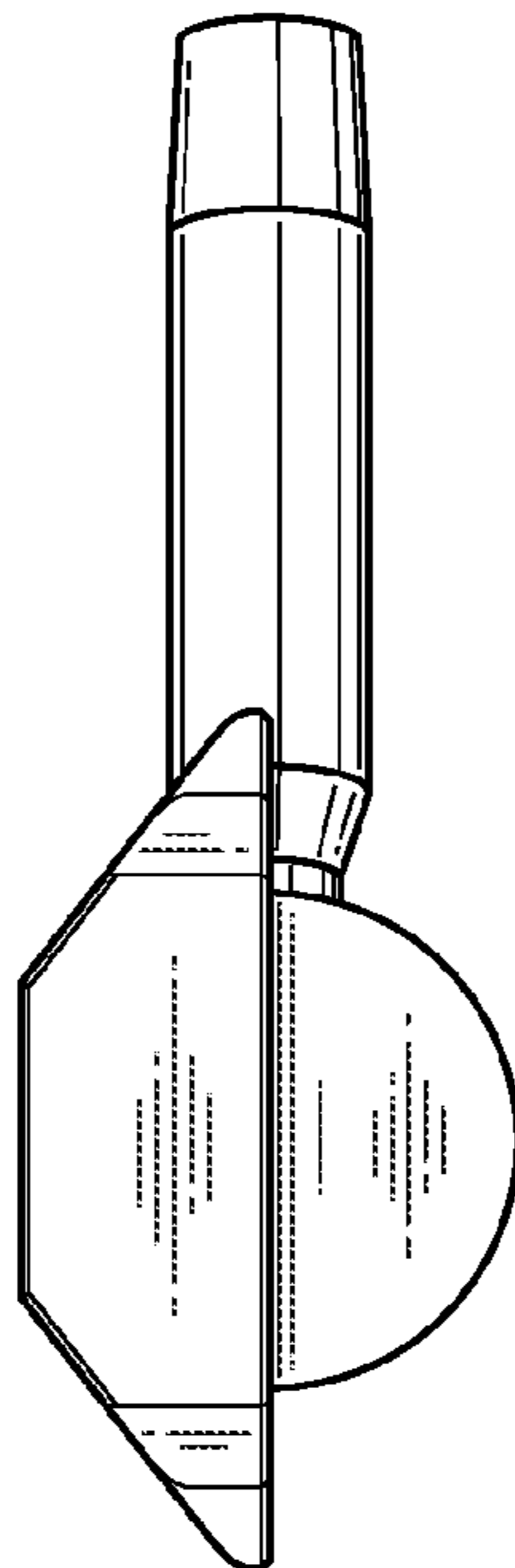


FIG. 4

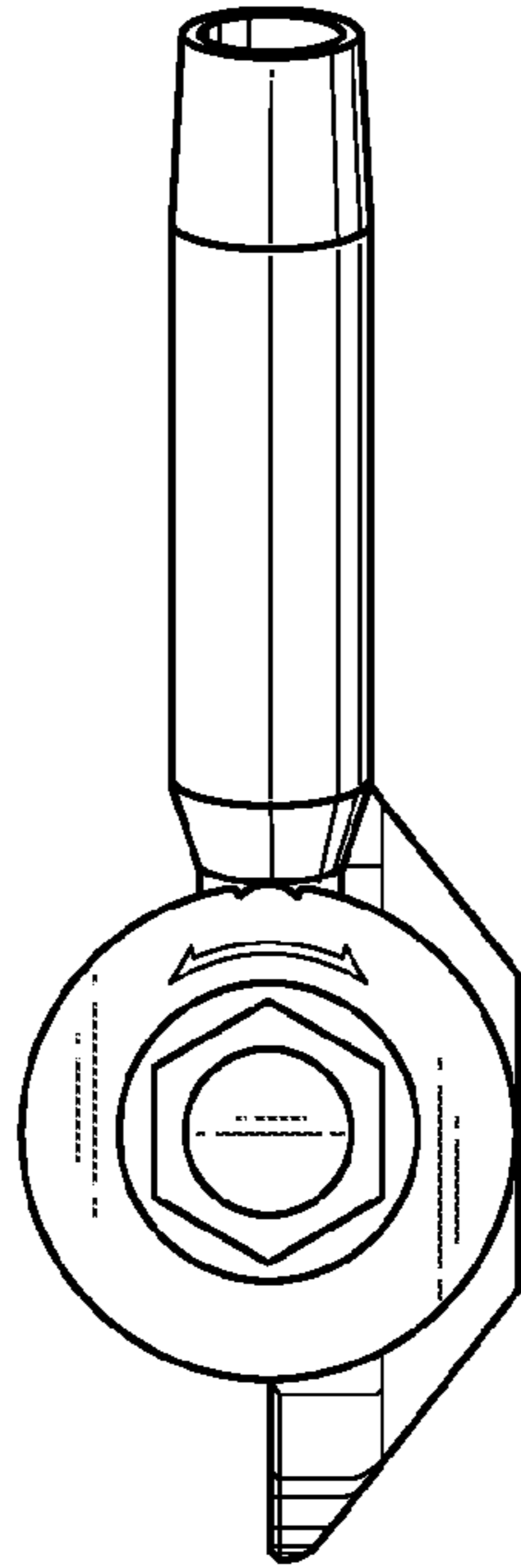


FIG. 5

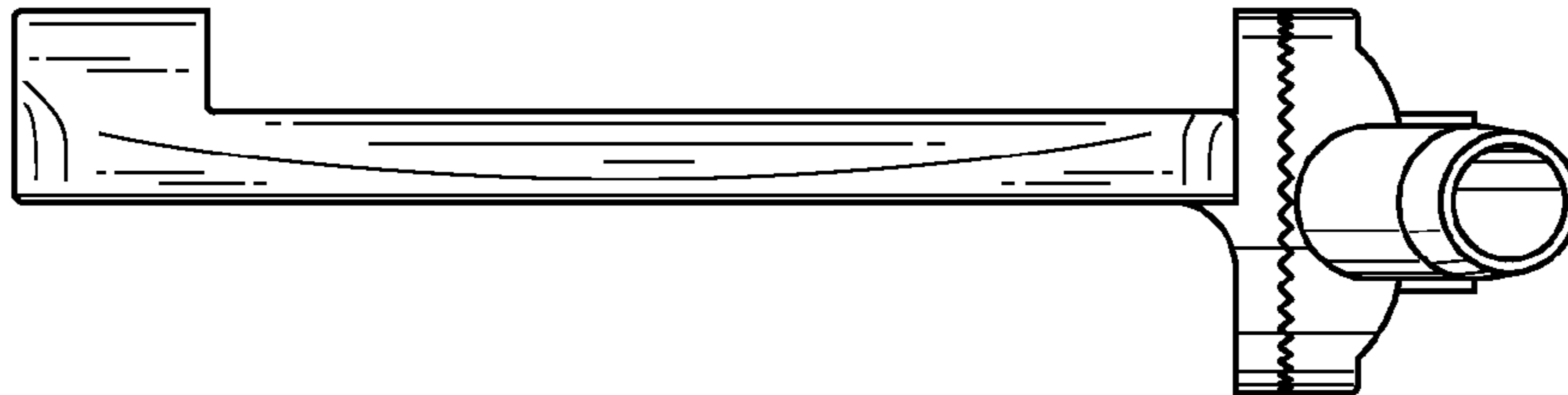


FIG. 6

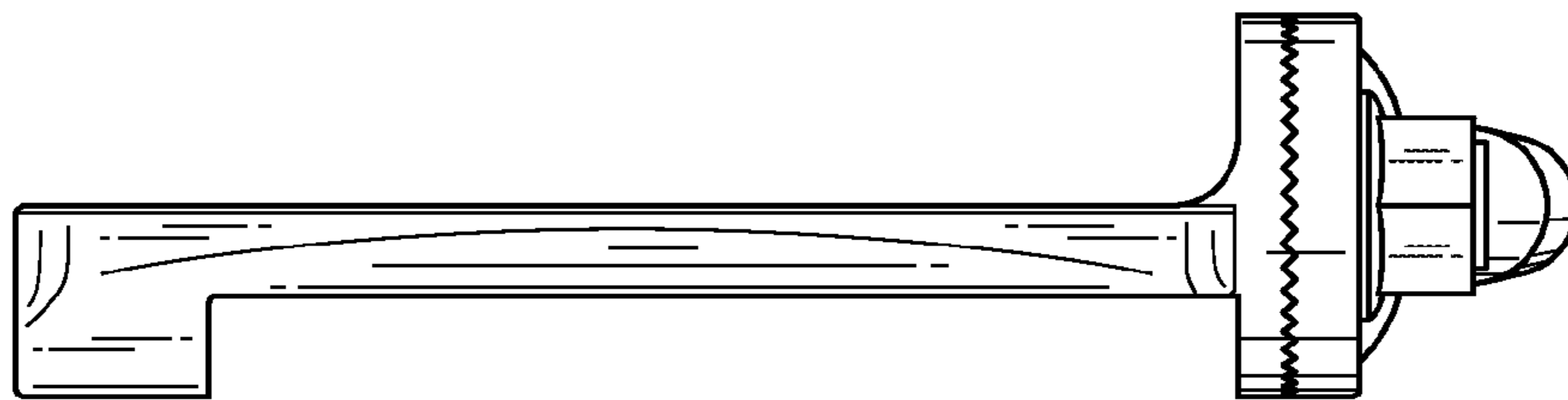


FIG. 7

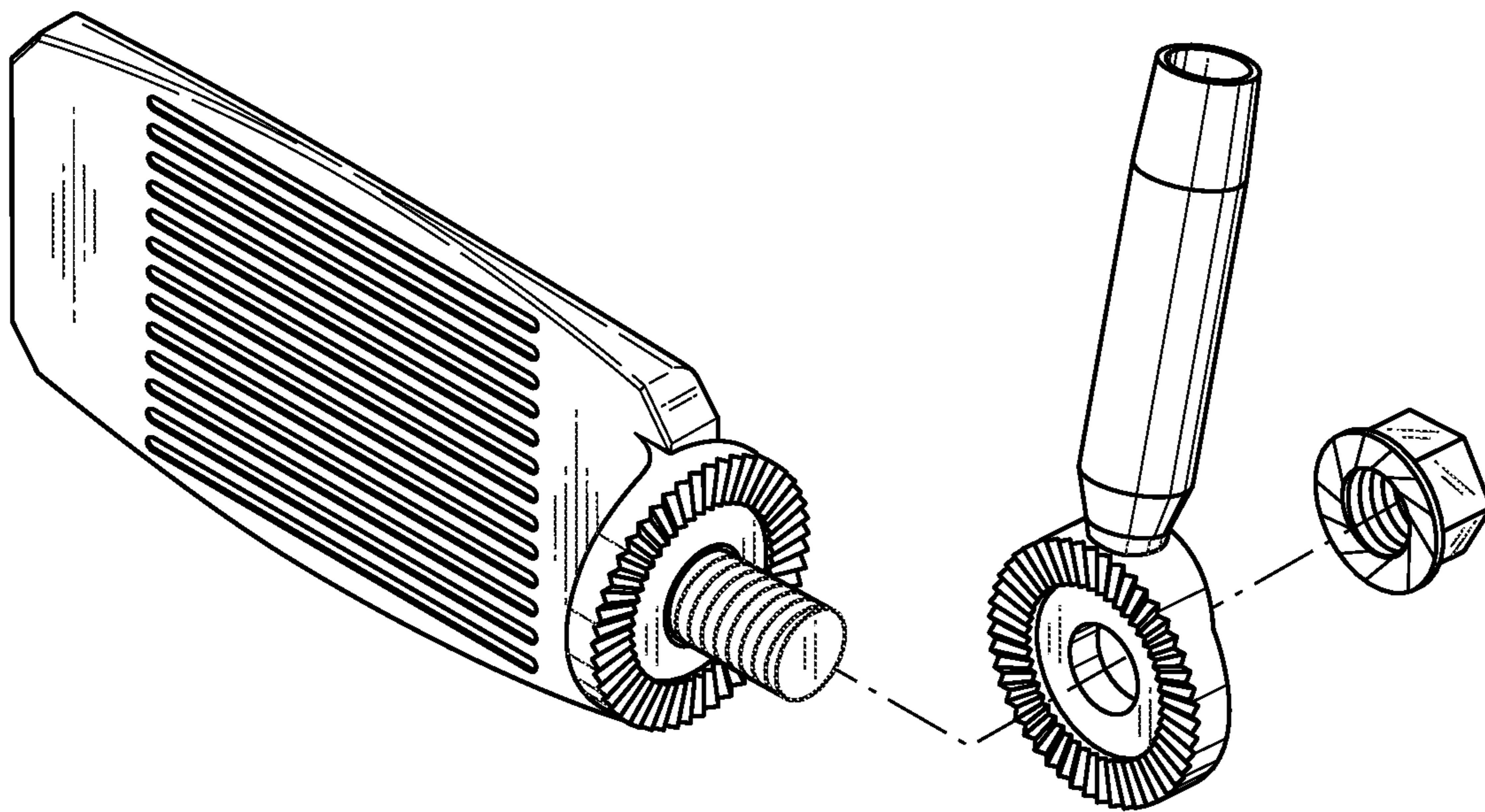


FIG. 8